



US00D725907S

(12) **United States Design Patent**  
**Yu**

(10) **Patent No.:** **US D725,907 S**  
(45) **Date of Patent:** **\*\* Apr. 7, 2015**

(54) **LUGGAGE BAG**

(71) Applicant: **Travelers Club Luggage, Inc.**, La  
Palma, CA (US)

(72) Inventor: **Peter Yu**, La Palma, CA (US)

(73) Assignee: **Travelers Club Luggage, Inc.**, La  
Palma, CA (US)

(\*\*) Term: **14 Years**

(21) Appl. No.: **29/481,725**

(22) Filed: **Feb. 10, 2014**

(51) **LOC (10) Cl.** ..... **03-01**

(52) **U.S. Cl.**  
USPC ..... **D3/279**

(58) **Field of Classification Search**  
USPC ..... D3/272, 276, 278, 279, 273, 274, 281,  
D3/289, 321; 190/100-127, 903, 18 A, 1,  
190/15.1, 19-40

See application file for complete search history.

(56) **References Cited**

**U.S. PATENT DOCUMENTS**

D454,430 S \* 3/2002 Sijmons ..... D3/279  
7,398,868 B2 \* 7/2008 Morszeck ..... 190/110  
D633,716 S \* 3/2011 Turella-Yuan et al. .... D3/279

D639,555 S \* 6/2011 Moon ..... D3/279  
D685,186 S \* 7/2013 Massaud ..... D3/279  
D715,054 S \* 10/2014 Yu ..... D3/279  
D719,730 S \* 12/2014 Marabotto ..... D3/279  
D720,535 S \* 1/2015 Marabotto ..... D3/279  
2004/0065519 A1 \* 4/2004 Morszeck ..... 190/110

\* cited by examiner

*Primary Examiner* — Jennifer Rivard

(74) *Attorney, Agent, or Firm* — Trojan Law Offices

(57) **CLAIM**

The ornamental design for a luggage bag, as shown and described.

**DESCRIPTION**

FIG. 1 is a perspective view of a luggage bag showing my new design;

FIG. 2 is a front view of the luggage bag shown in FIG. 1;

FIG. 3 is a rear view of the luggage bag shown in FIG. 1;

FIG. 4 is a left side view of the luggage bag shown in FIG. 1;

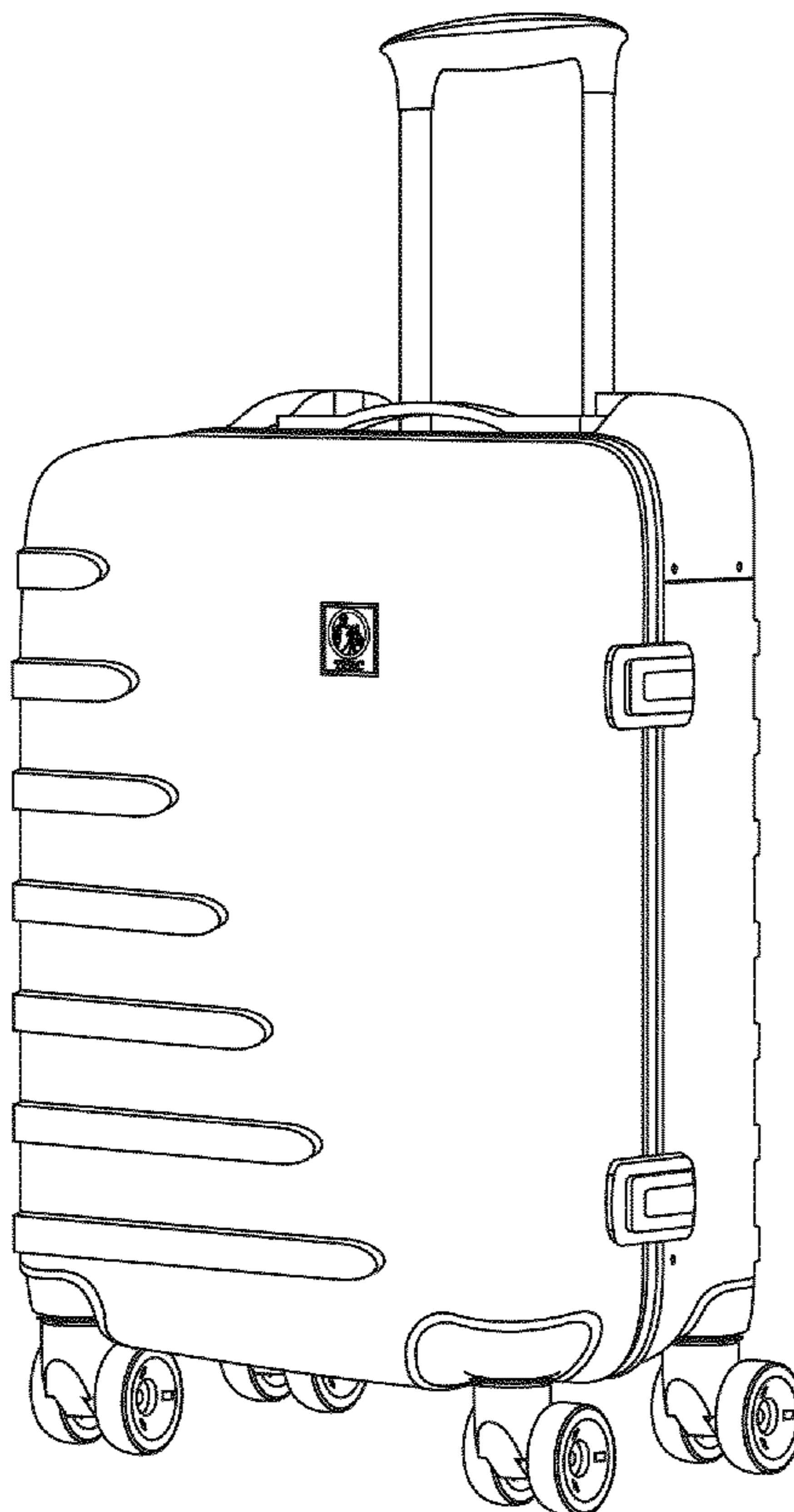
FIG. 5 is a right side view of the luggage bag shown in FIG. 1;

FIG. 6 is a top view of the luggage bag shown in FIG. 1; and,

FIG. 7 is a perspective view of the top portion of the luggage bag shown in FIG. 1.

The broken away view of the top portion in FIG. 7 is disclosed for convenience of illustration.

**1 Claim, 7 Drawing Sheets**



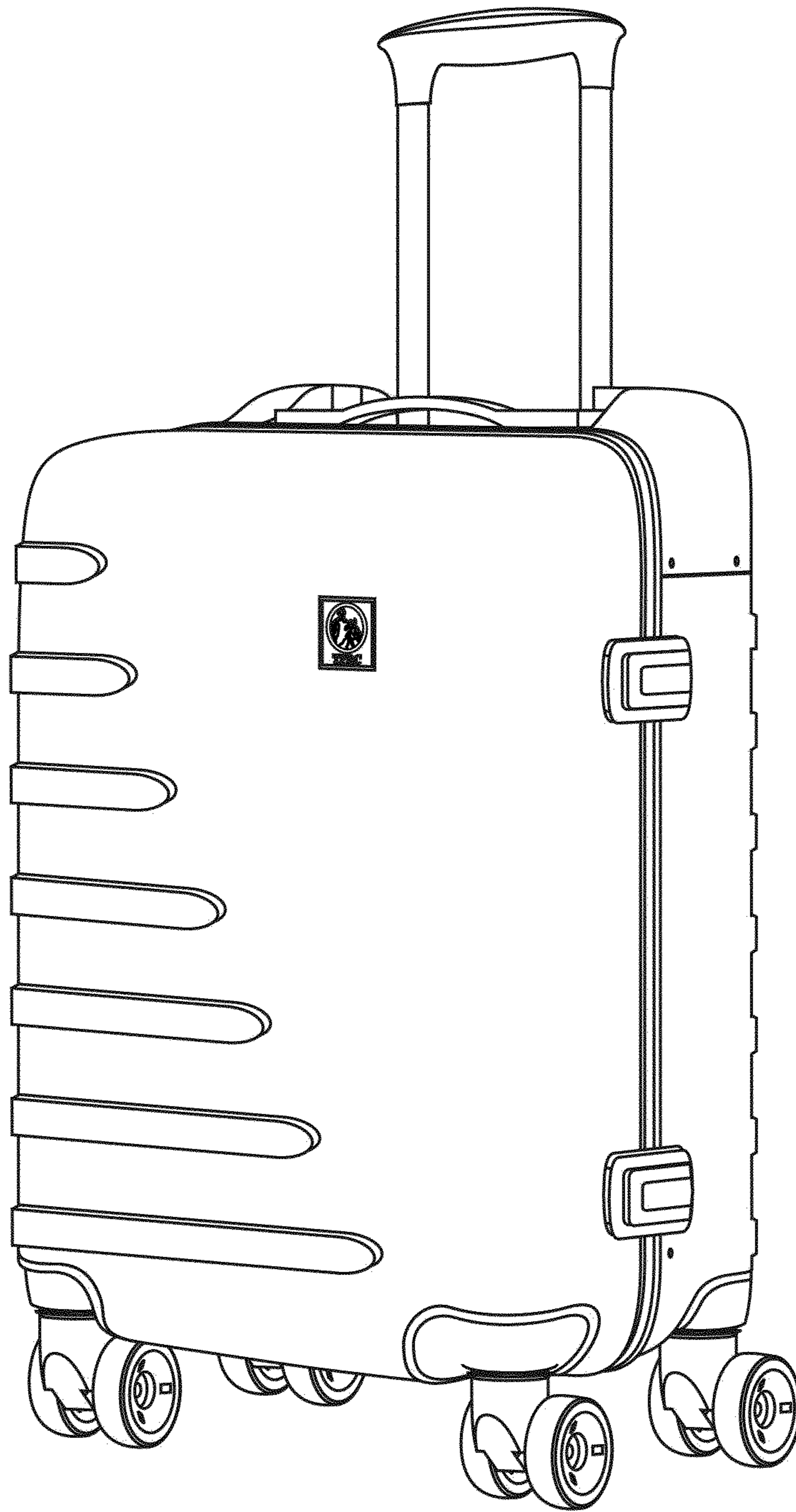


Fig. 1

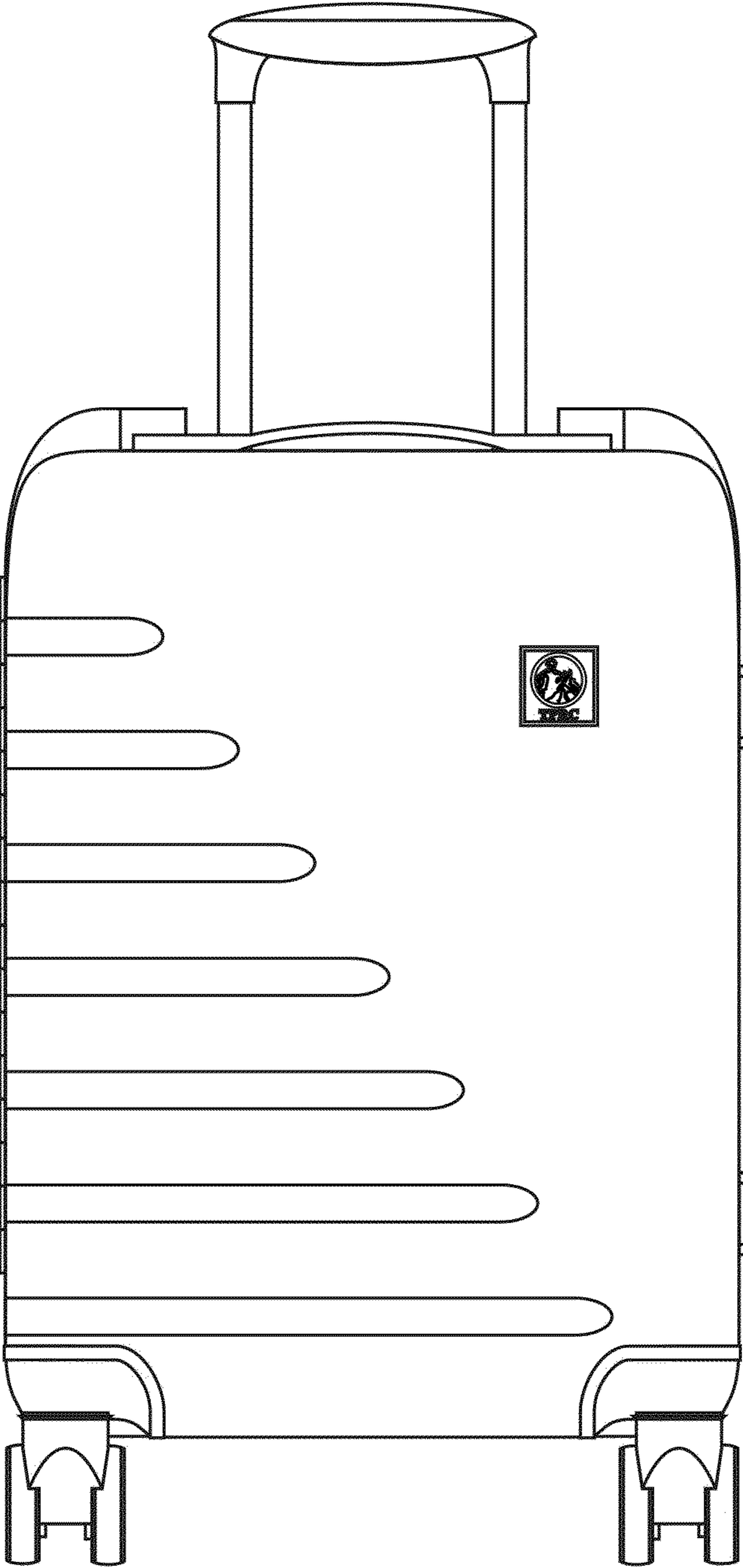
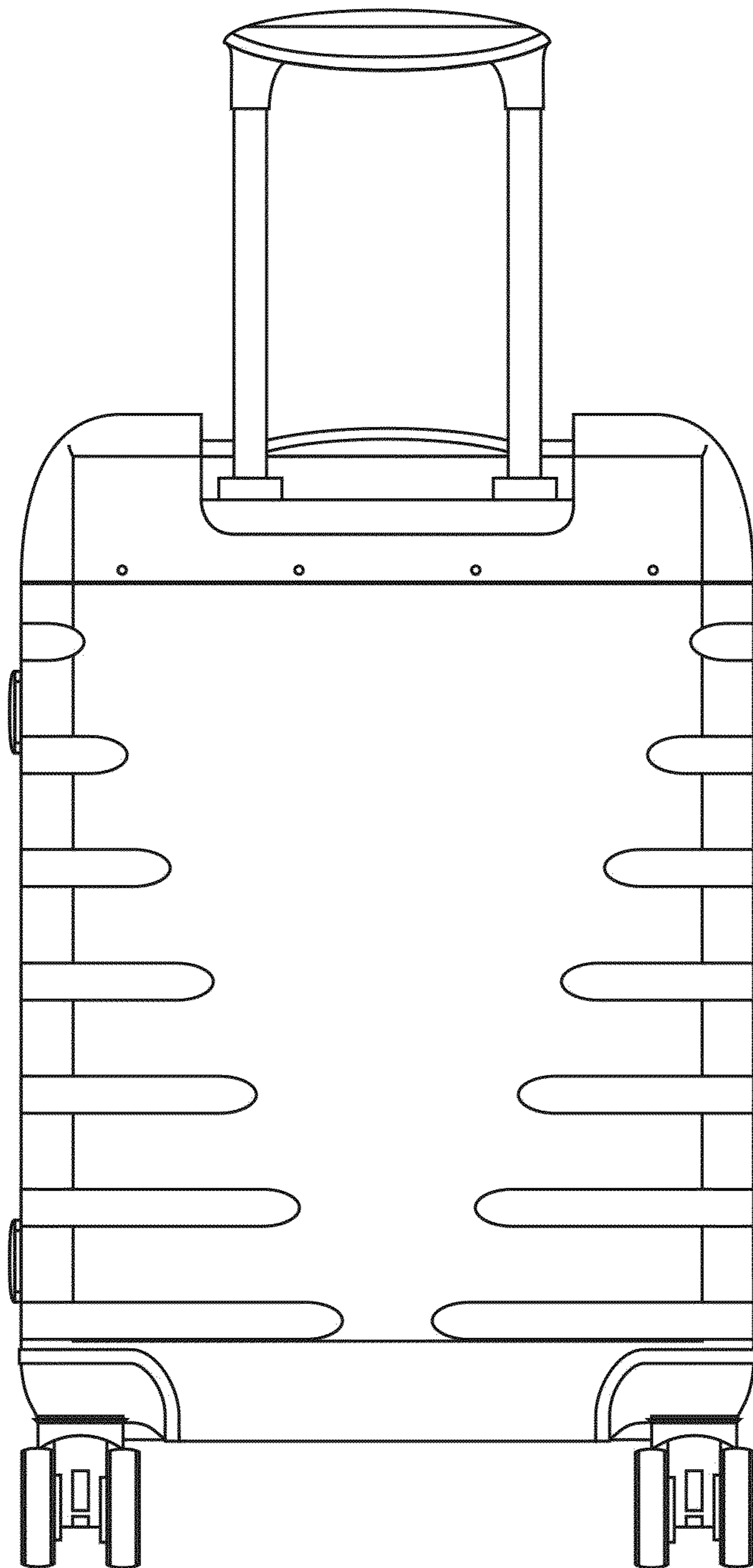


Fig. 2



**Fig. 3**

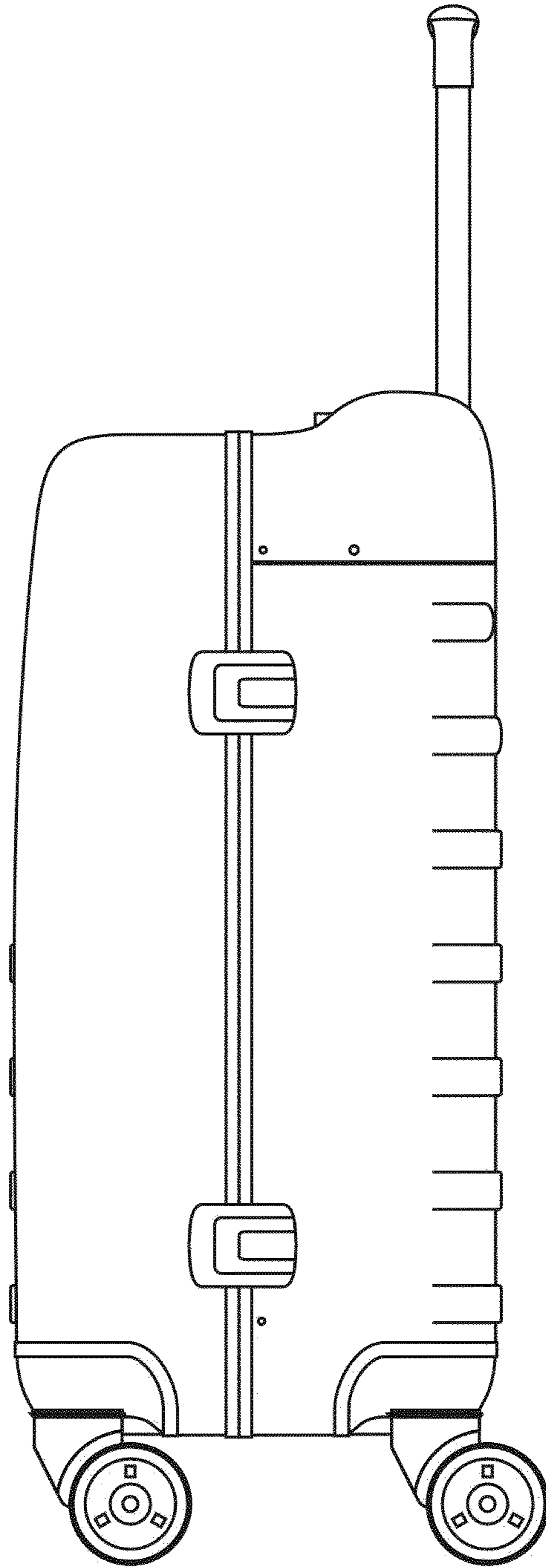
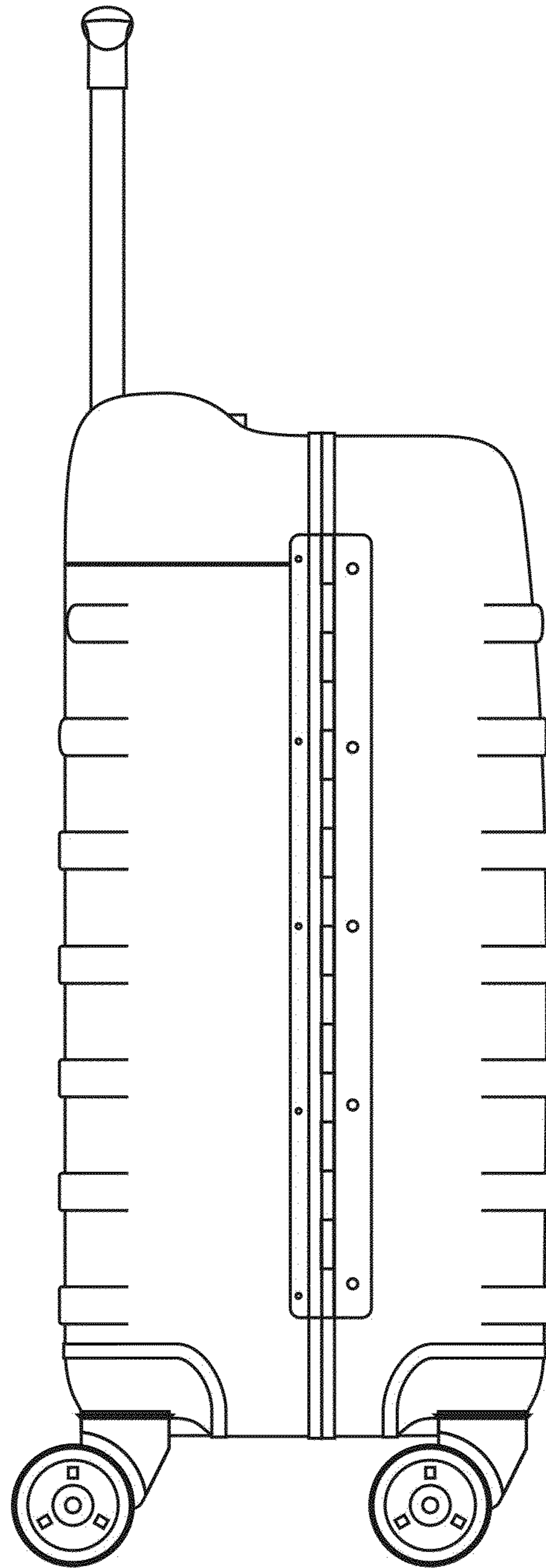
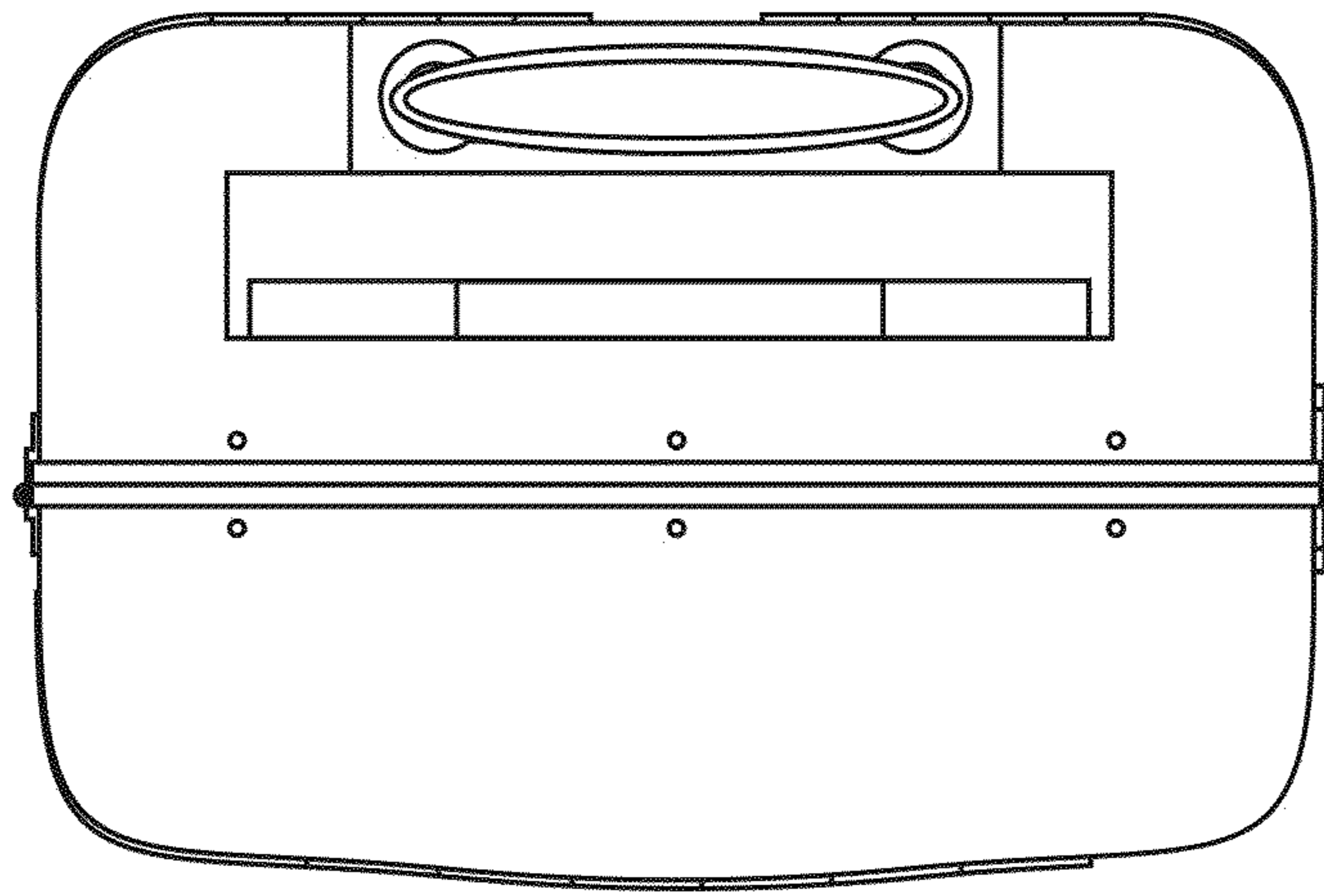


Fig. 4



**Fig. 5**



**Fig. 6**

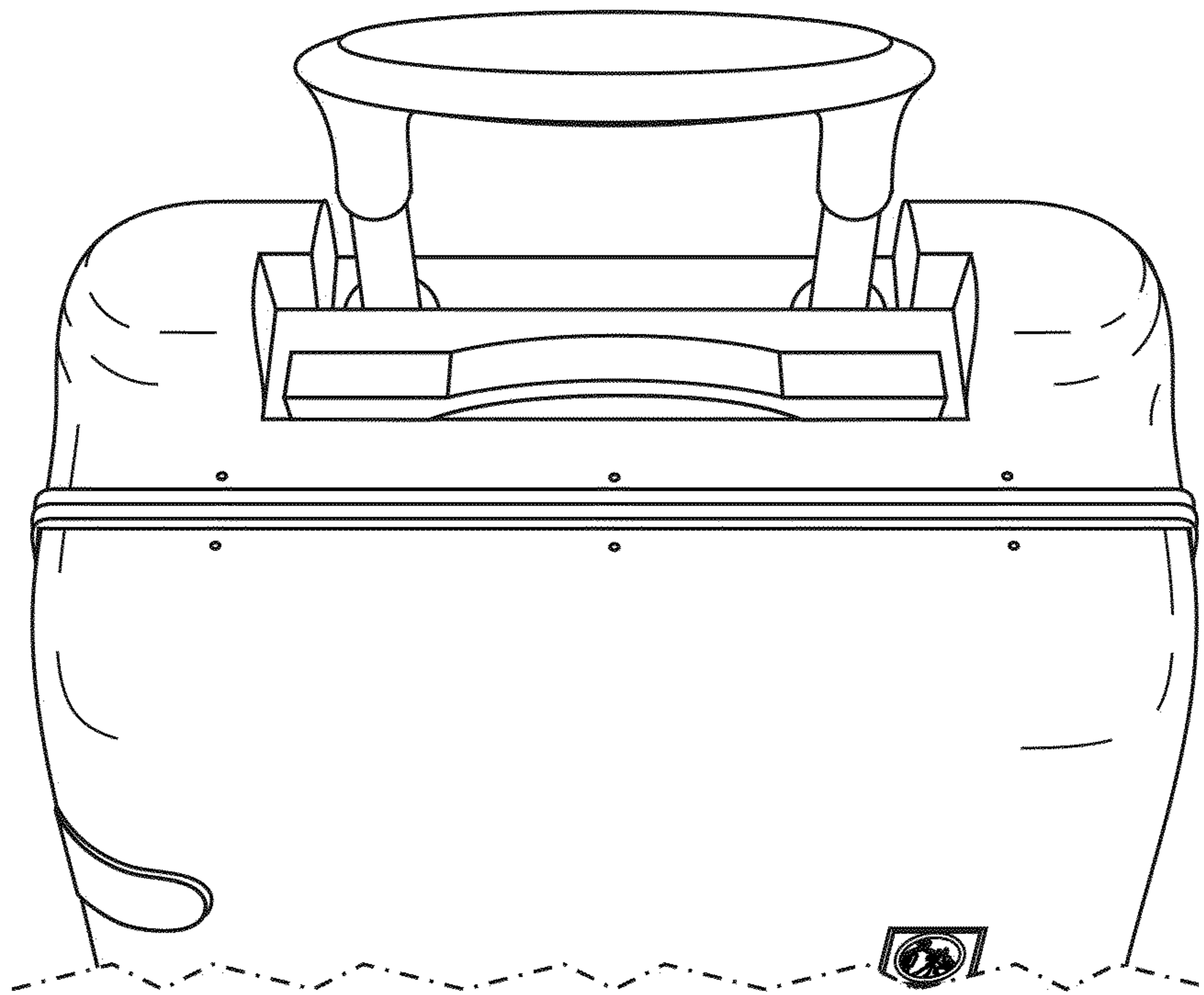


Fig. 7