



US00D725905S

(12) **United States Design Patent**  
**Melander et al.**

(10) **Patent No.:** **US D725,905 S**  
(45) **Date of Patent:** **\*\* Apr. 7, 2015**

(54) **SLIM WALLET**

(71) Applicant: **Supr Good Co. LLC**, Minneapolis, MN  
(US)

(72) Inventors: **Erik Melander**, San Francisco, CA  
(US); **Aaron Melander**, Minneapolis,  
MN (US)

(\*\*) Term: **14 Years**

(21) Appl. No.: **29/462,467**

(22) Filed: **Aug. 5, 2013**

(51) **LOC (10) Cl.** ..... **03-01**

(52) **U.S. Cl.**  
USPC ..... **D3/247**

(58) **Field of Classification Search**  
CPC ..... B42F 7/145; B42F 17/00  
USPC ..... 150/131-149, 152, 165; 206/39, 232,  
206/424, 425, 457, 494, 534; 40/124.01,  
40/124.06, 124.09, 358, 910-912;  
D14/250; D3/203.1, 203.5, 203.6,  
D3/203.8, 225-227, 247-253, 299, 301,  
D3/303

See application file for complete search history.

(56) **References Cited**

**U.S. PATENT DOCUMENTS**

866,172 A \* 9/1907 Westphall ..... 383/106  
D299,888 S \* 2/1989 Maxwell ..... D6/407

D377,713 S \* 2/1997 Chandler ..... D3/247  
D403,152 S \* 12/1998 Parad ..... D3/247  
D575,569 S \* 8/2008 Martinetti ..... D6/626  
D677,053 S \* 3/2013 Lyons ..... D3/300  
2011/0048594 A1 \* 3/2011 Arnone ..... 150/147

**OTHER PUBLICATIONS**

Slim—The Thinnest Wallet Ever. Product Overview [online] by Supr Good Co. [published on Aug. 6, 2012] [retrieved on May 7, 2014]. Retrieved from the Internet: <URL: <https://www.kickstarter.com/projects/supr/slim-the-thinnest-wallet-ever>>.\*

\* cited by examiner

*Primary Examiner* — Robert M Spear

*Assistant Examiner* — Marissa J Cash

(74) *Attorney, Agent, or Firm* — Geiser Law, PLLC; Greg N. Geiser

(57) **CLAIM**

The ornamental design for a slim wallet, as shown and described.

**DESCRIPTION**

FIG. 1 is a front elevational view of a slim wallet showing our new design;

FIG. 2 is a front isometric view, thereof;

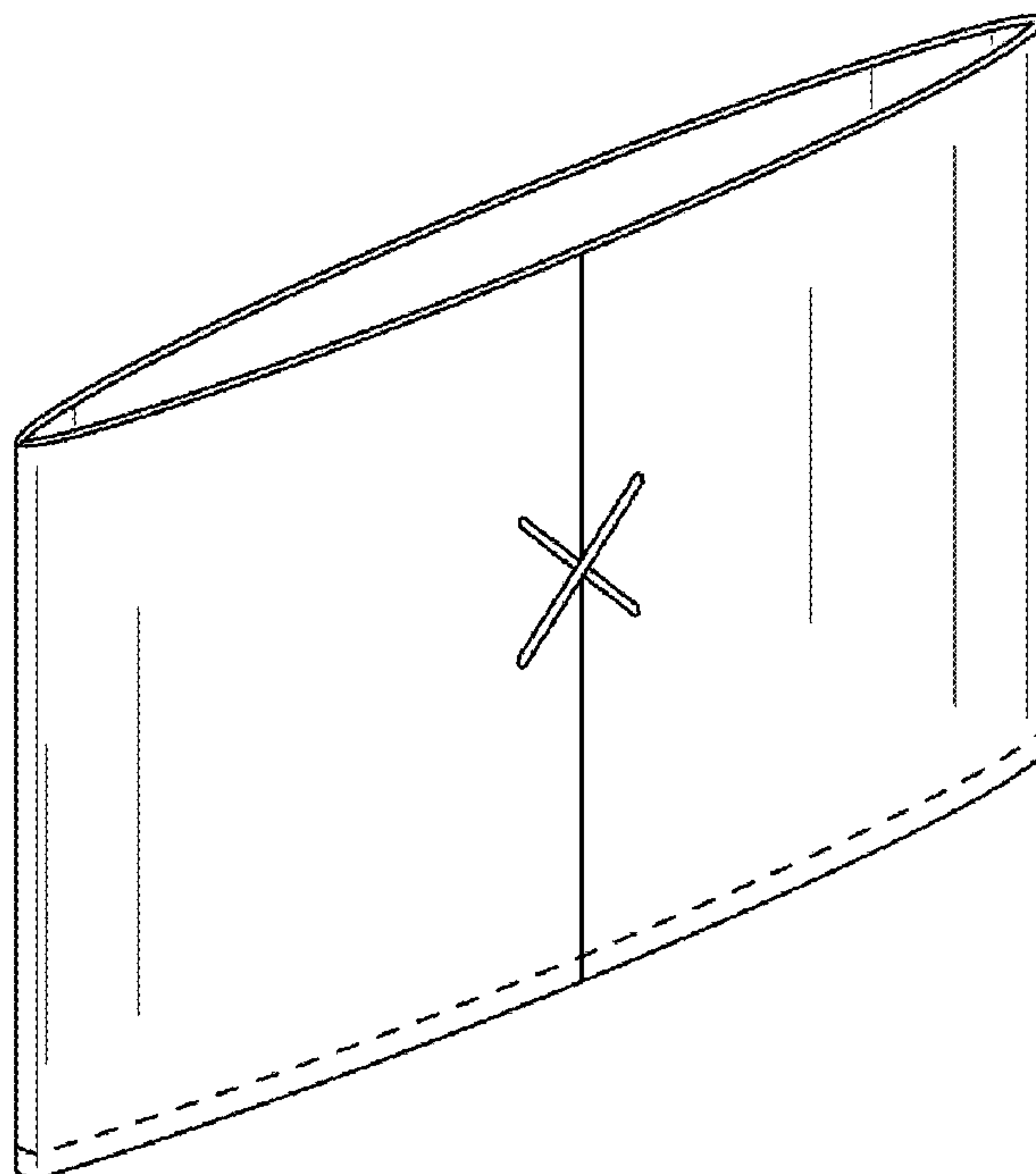
FIG. 3 is a rear isometric view, thereof;

FIG. 4 is a top plan view thereof; and,

FIG. 5 is a bottom plan view thereof.

The broken lines shown in FIGS. 1-3 represent claimed stitching.

**1 Claim, 1 Drawing Sheet**



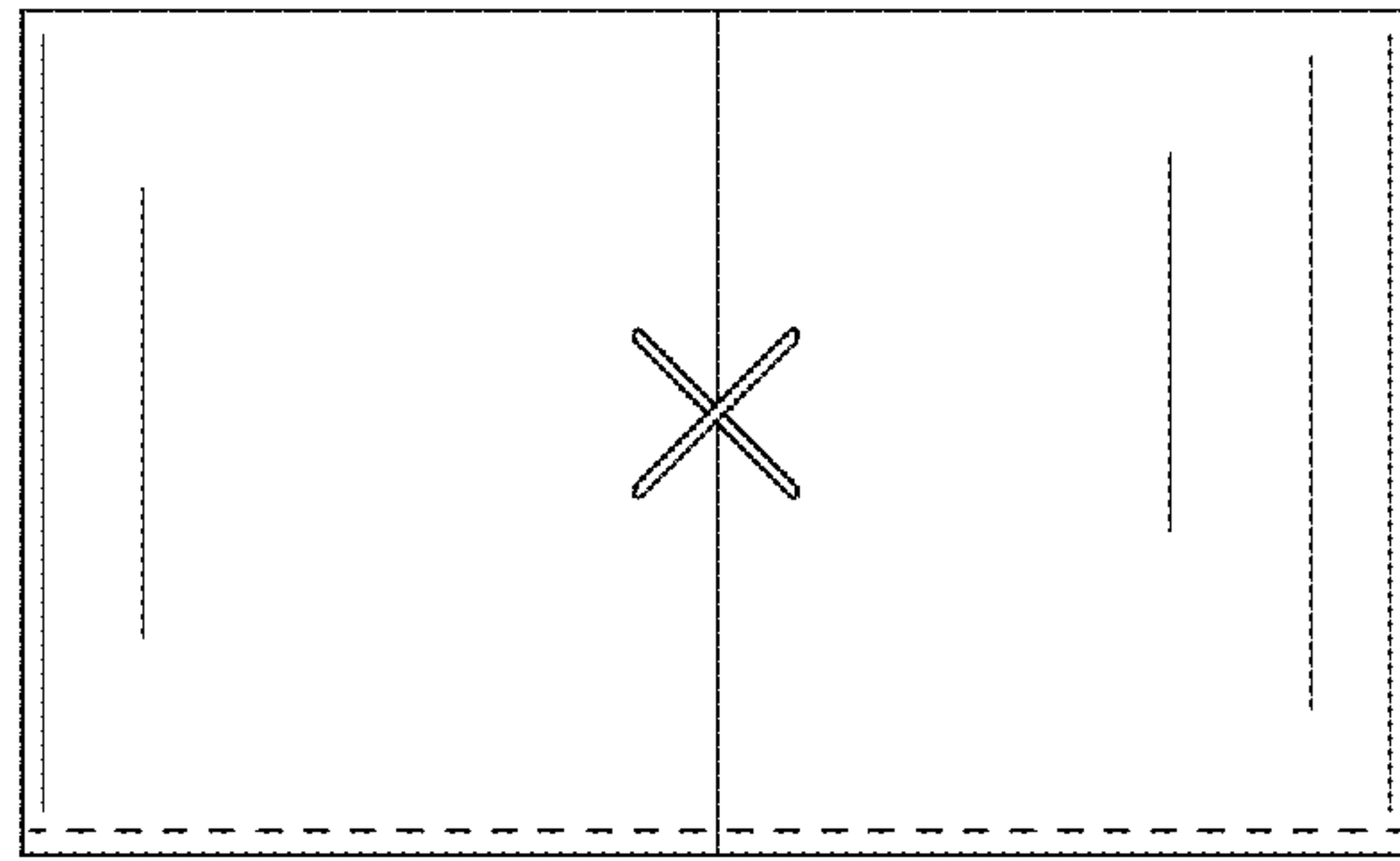


FIG. 1

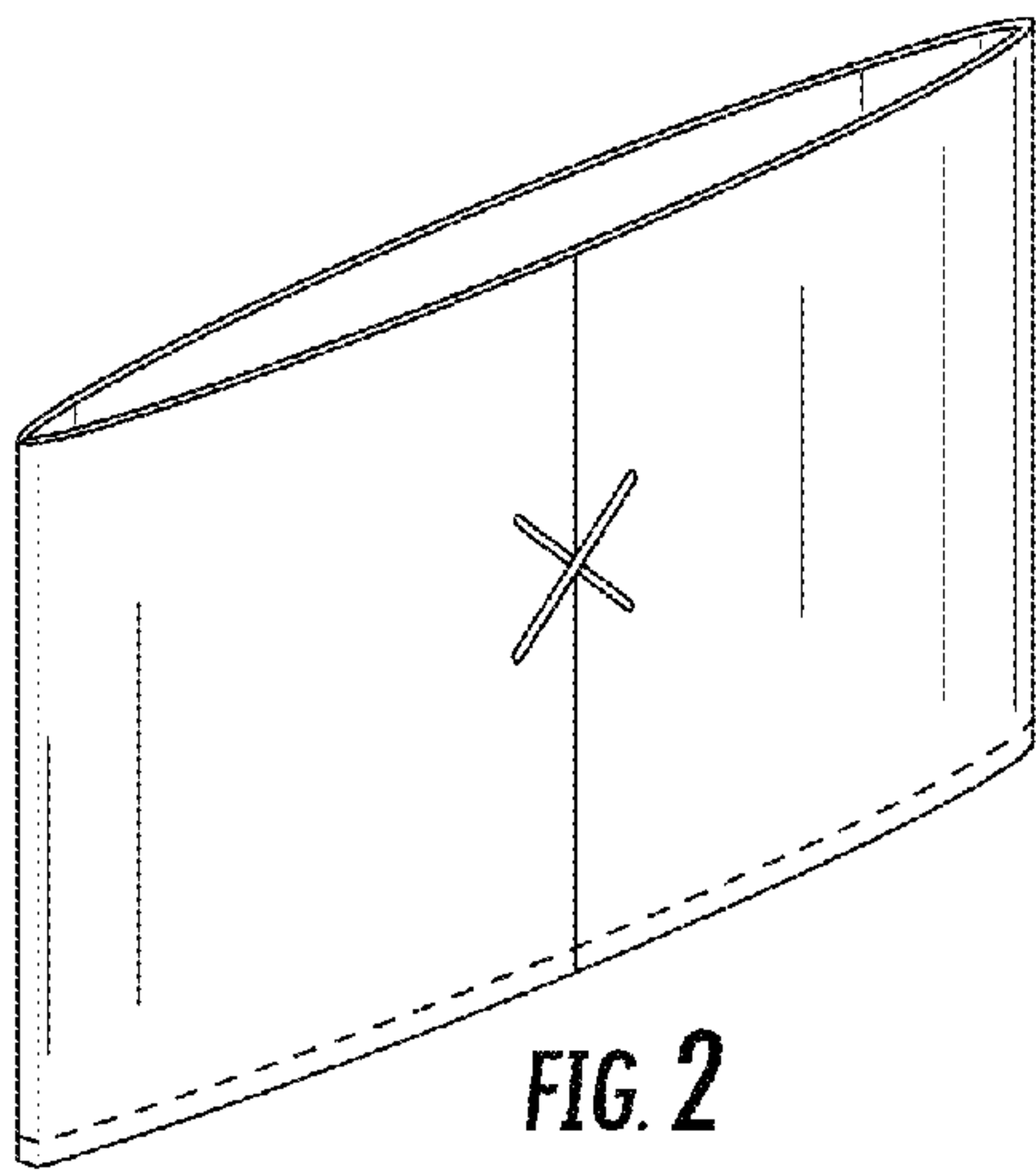


FIG. 2

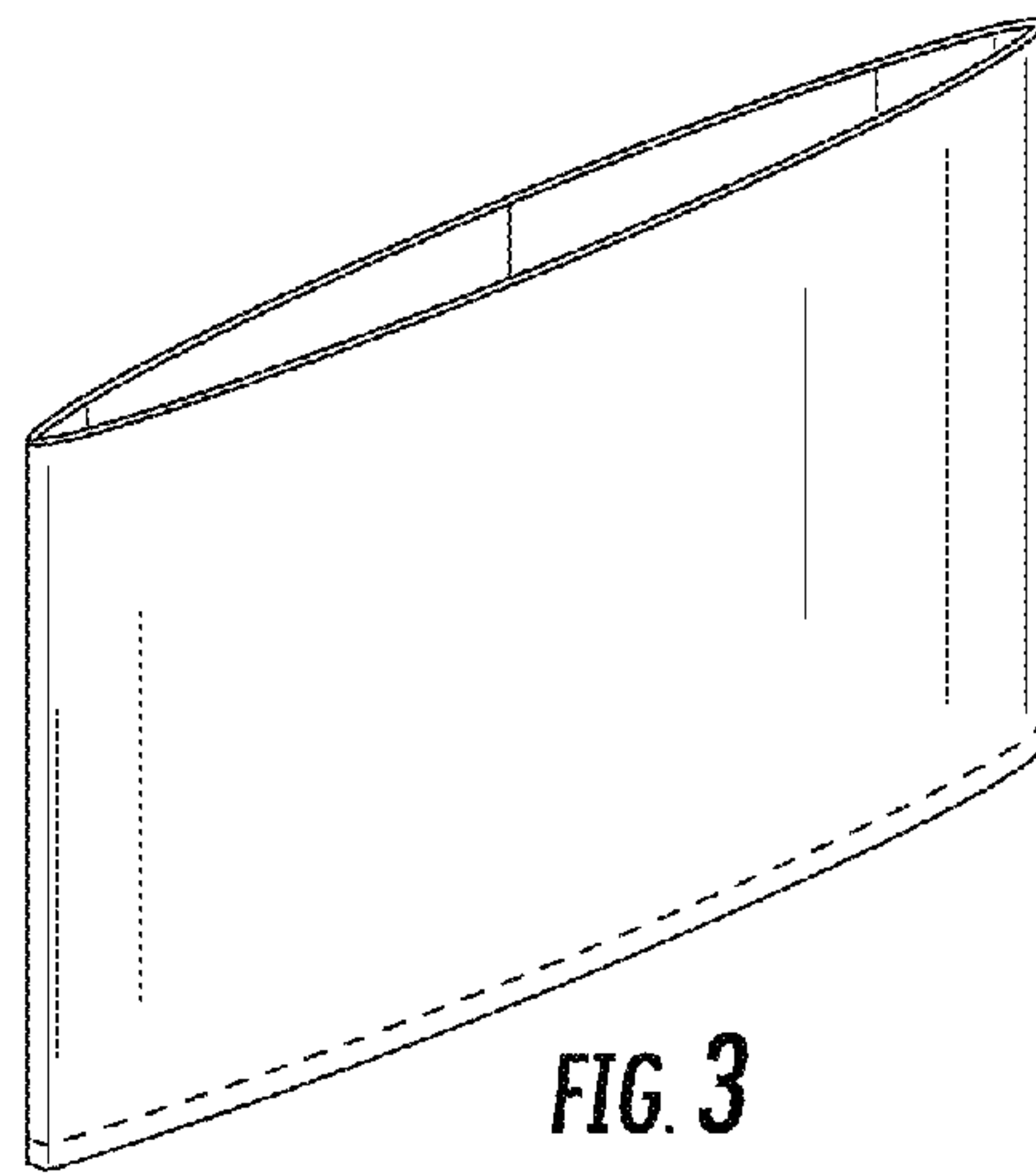


FIG. 3

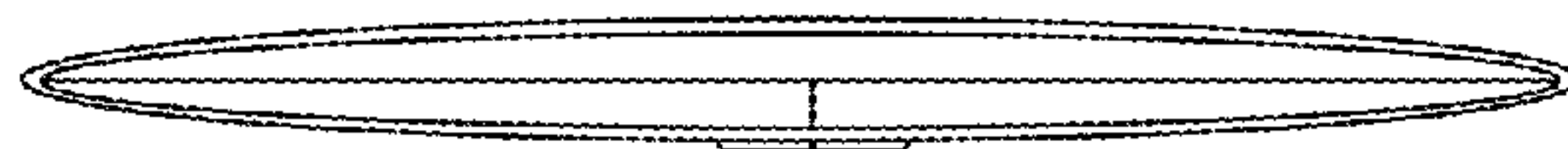


FIG. 4

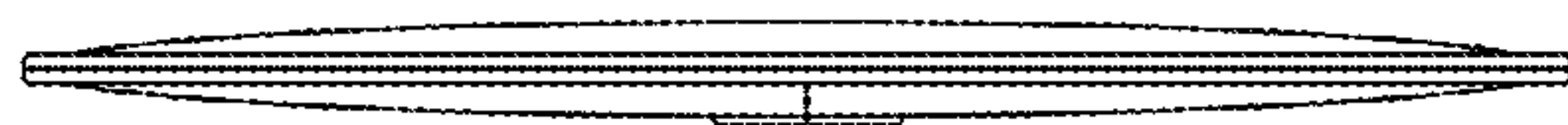


FIG. 5