



US00D725901S

(12) **United States Design Patent**
Cross

(10) **Patent No.:** **US D725,901 S**

(45) **Date of Patent:** **** Apr. 7, 2015**

(54) **BAG**

(71) Applicant: **Goplug Bags, Inc.**, Sandy, UT (US)

(72) Inventor: **Joshua Seth Mark Cross**, Orem, UT (US)

(73) Assignee: **Goplug Bags, Inc.**, Sandy, UT (US)

(**) Term: **14 Years**

(21) Appl. No.: **29/469,500**

(22) Filed: **Oct. 10, 2013**

(51) **LOC (10) Cl.** **03-01**

(52) **U.S. Cl.**
USPC **D3/233**

(58) **Field of Classification Search**
CPC A45C 1/024; A45C 3/06
USPC D3/232–233, 240–243, 245–246
See application file for complete search history.

(56) **References Cited**

U.S. PATENT DOCUMENTS

2010/0213892 A1 8/2010 DeSanctis
2011/0011761 A1 1/2011 Enmon

Primary Examiner — Holly Baynham

(74) *Attorney, Agent, or Firm* — Maschoff Brennan

(57) **CLAIM**
The ornamental design for a bag, as shown and described.

DESCRIPTION

FIG. 1 is an upper left perspective view of an exemplary bag; FIG. 2 is an upper right perspective view of the bag shown in FIG. 1;

FIG. 3 is a front view of the bag shown in FIG. 1;

FIG. 4 is a rear view of the bag shown in FIG. 1;

FIG. 5 is a left side view of the bag shown in FIG. 1;

FIG. 6 is a right side view of the bag shown in FIG. 1;

FIG. 7 is a top view of the bag shown in FIG. 1;

FIG. 8 is a bottom view of the bag shown in FIG. 1;

FIG. 9 is an upper right perspective view of the second embodiment of the bag shown in FIG. 1;

FIG. 10 is an upper left perspective view of the bag shown in FIG. 9;

FIG. 11 is a front view of the bag shown in FIG. 9;

FIG. 12 is a rear view of the bag shown in FIG. 9;

FIG. 13 is a left side view of the bag shown in FIG. 9;

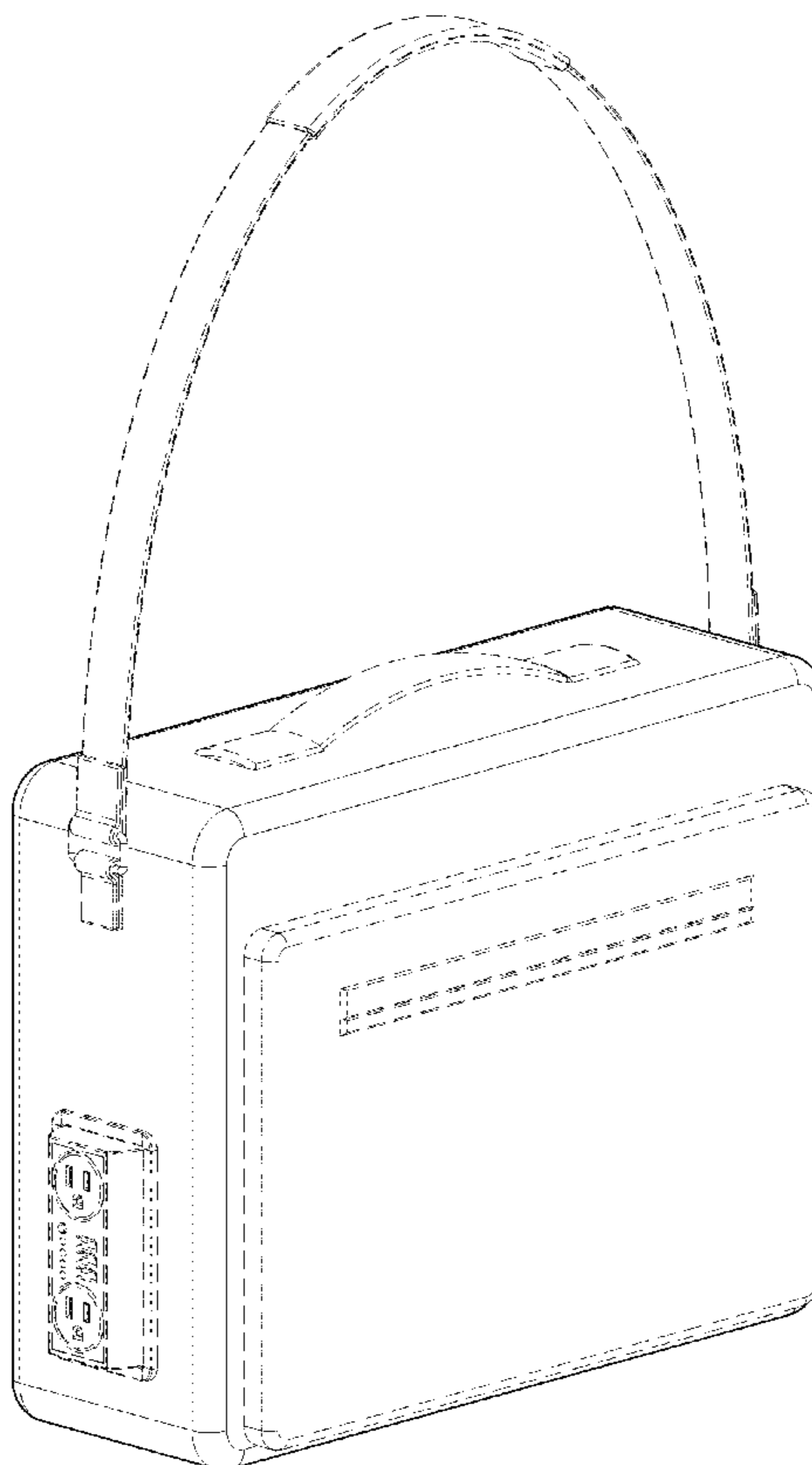
FIG. 14 is a right side view of the bag shown in FIG. 9;

FIG. 15 is a top view of the bag shown in FIG. 9; and,

FIG. 16 is a bottom view of the bag as shown in FIG. 9.

The broken lines showing portions of the bag, outlet and plug are for the purposes of illustrating environment and form no part of the claimed design.

1 Claim, 12 Drawing Sheets



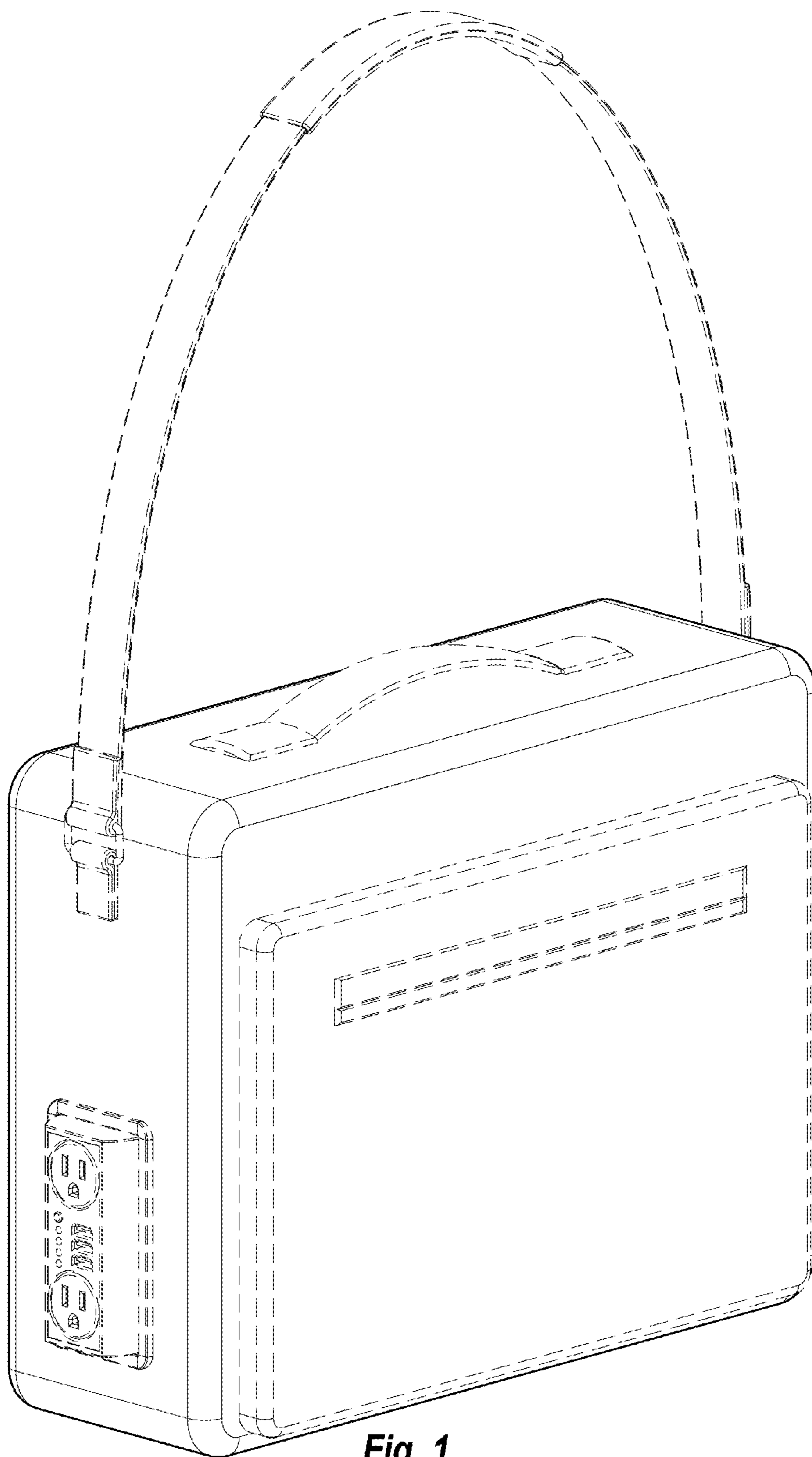


Fig. 1

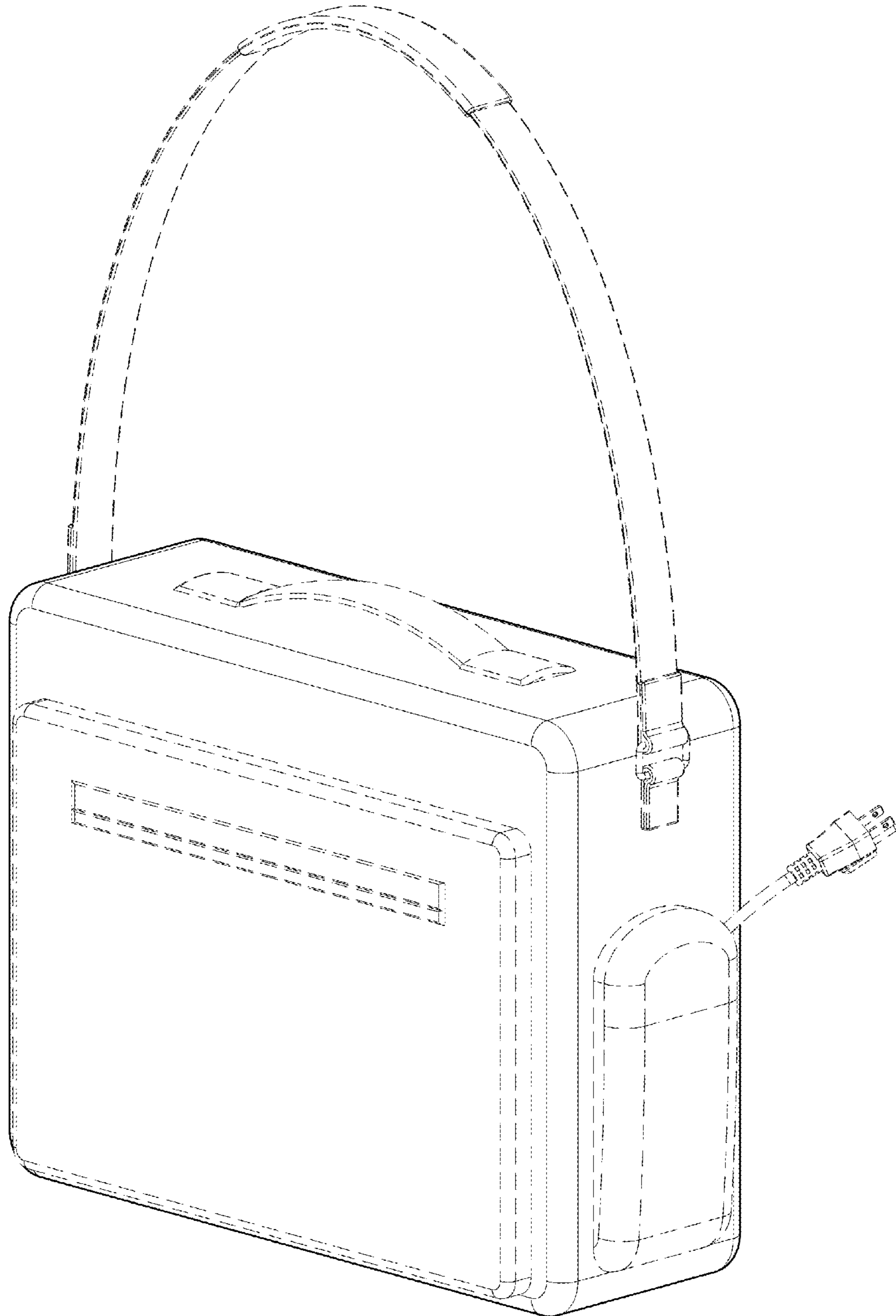


Fig. 2

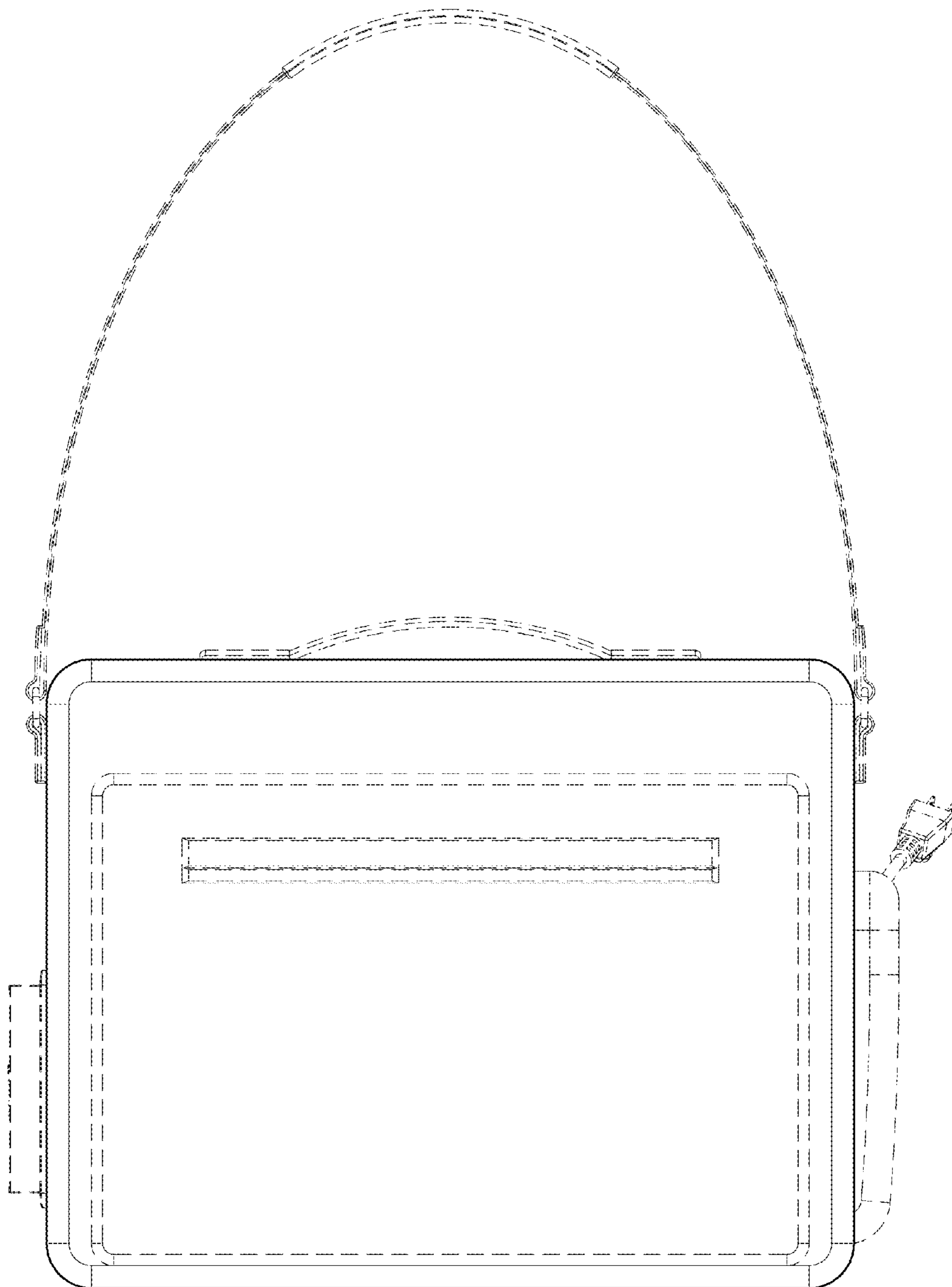


Fig. 3

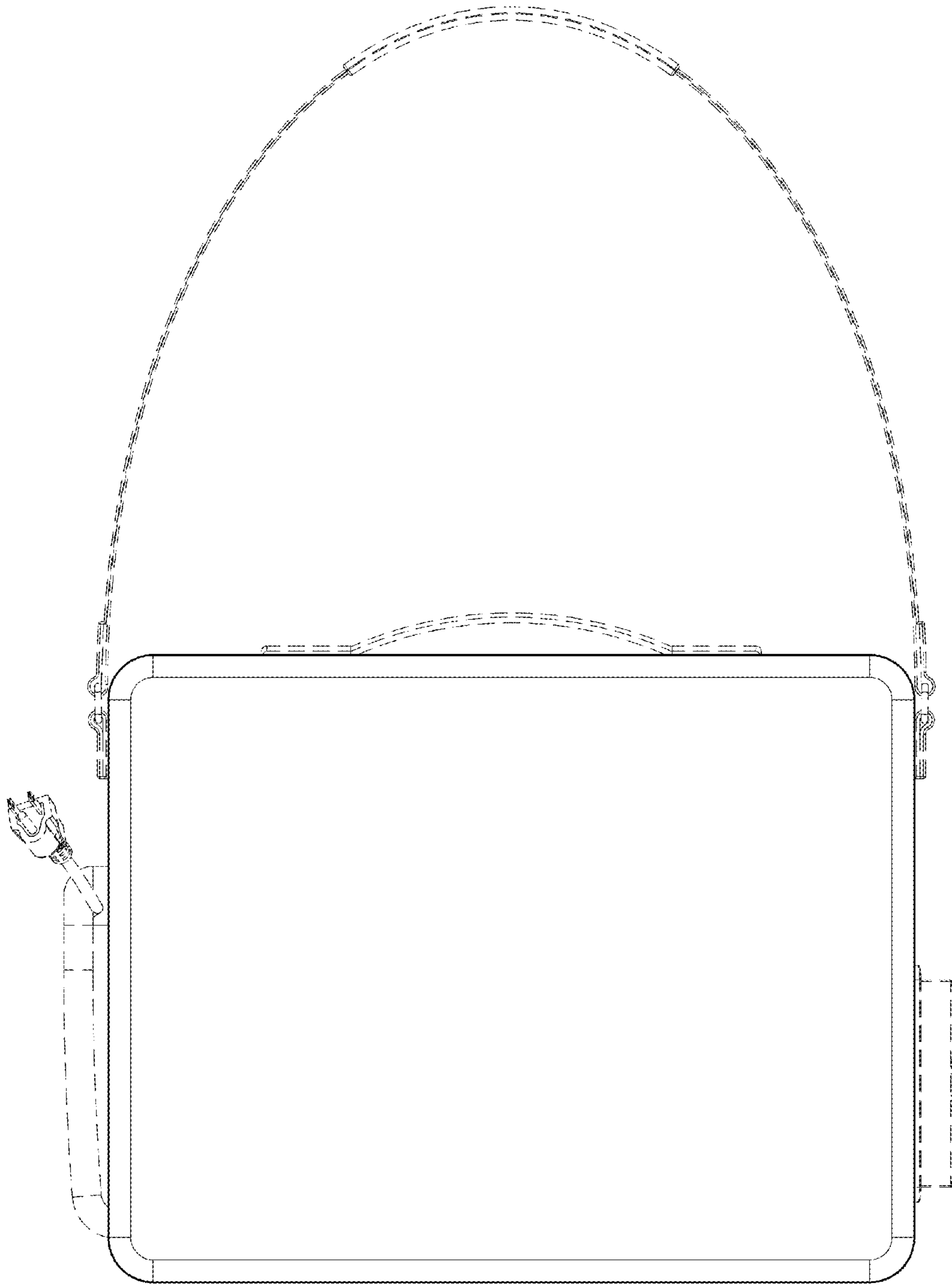


Fig. 4

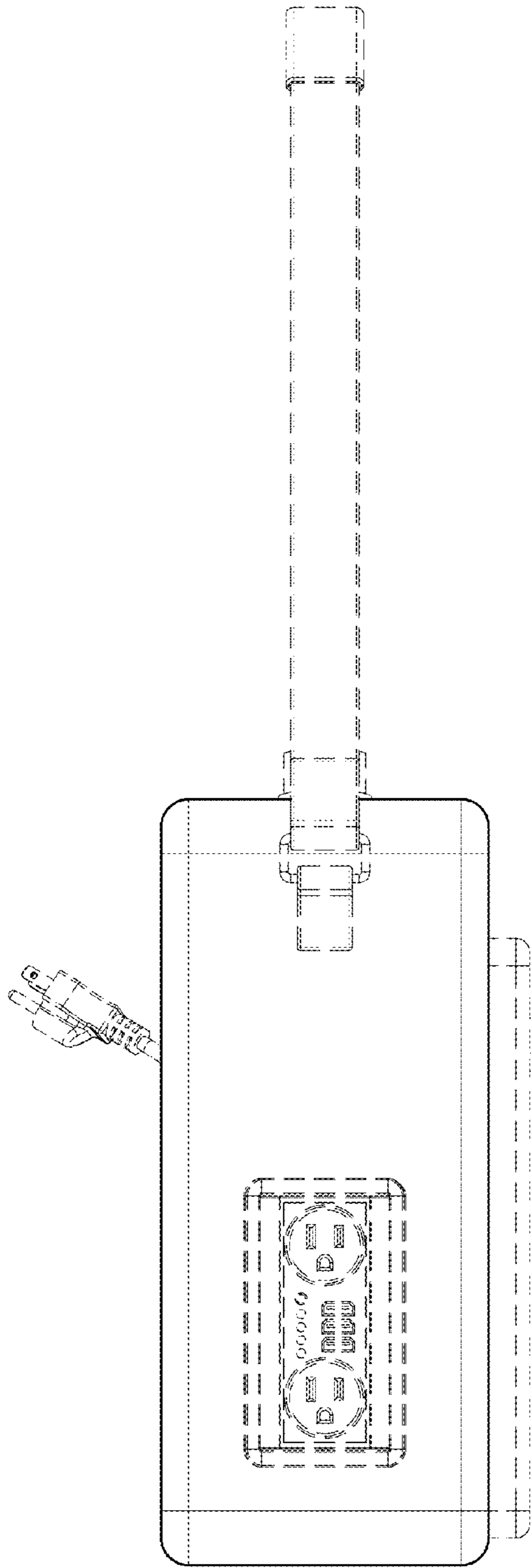


Fig. 5

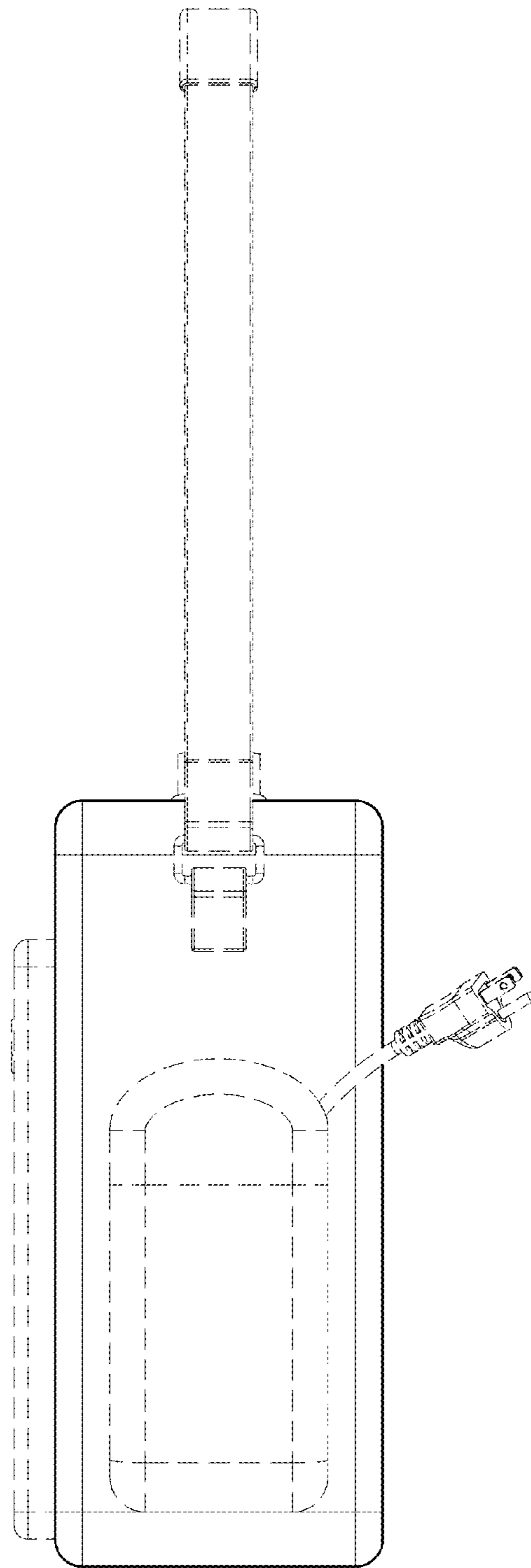


Fig. 6

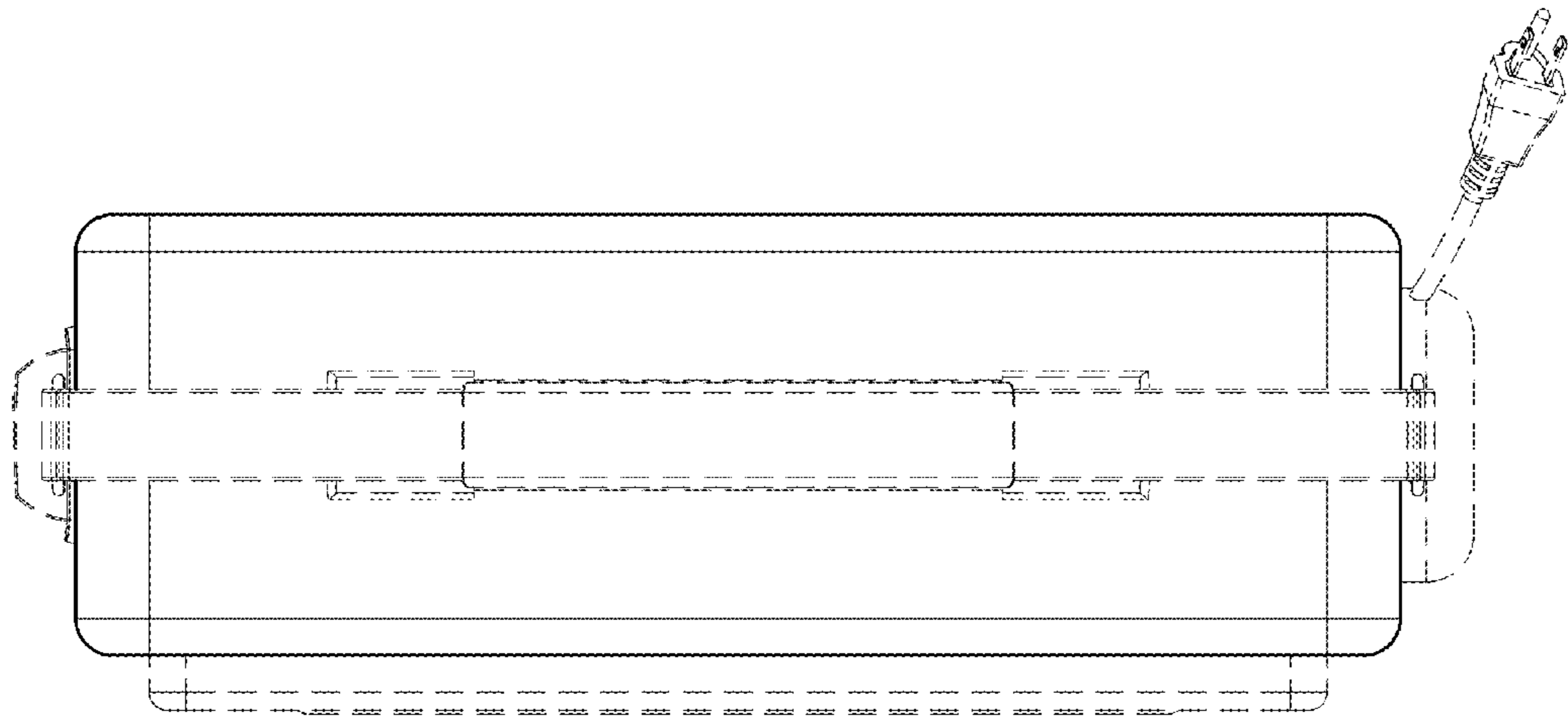


Fig. 7

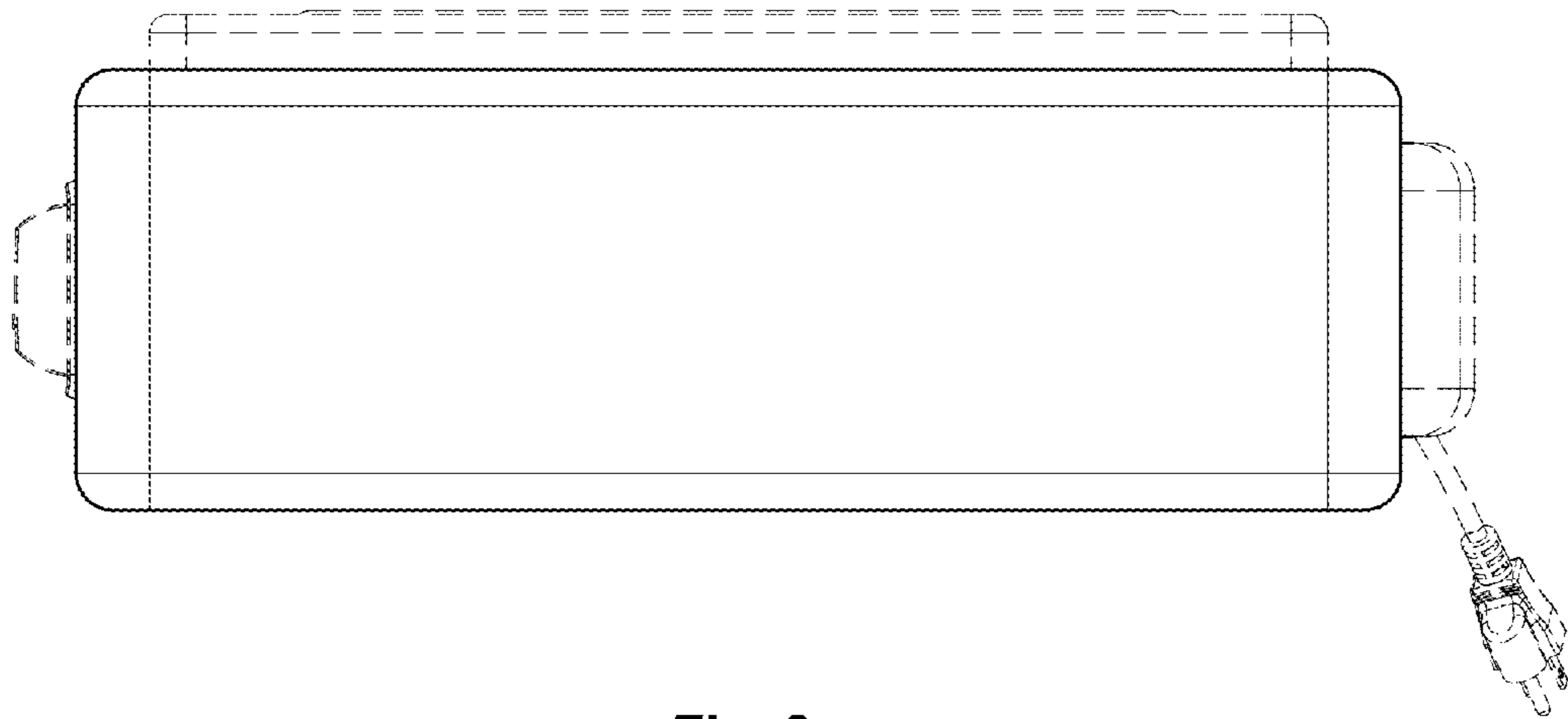


Fig. 8

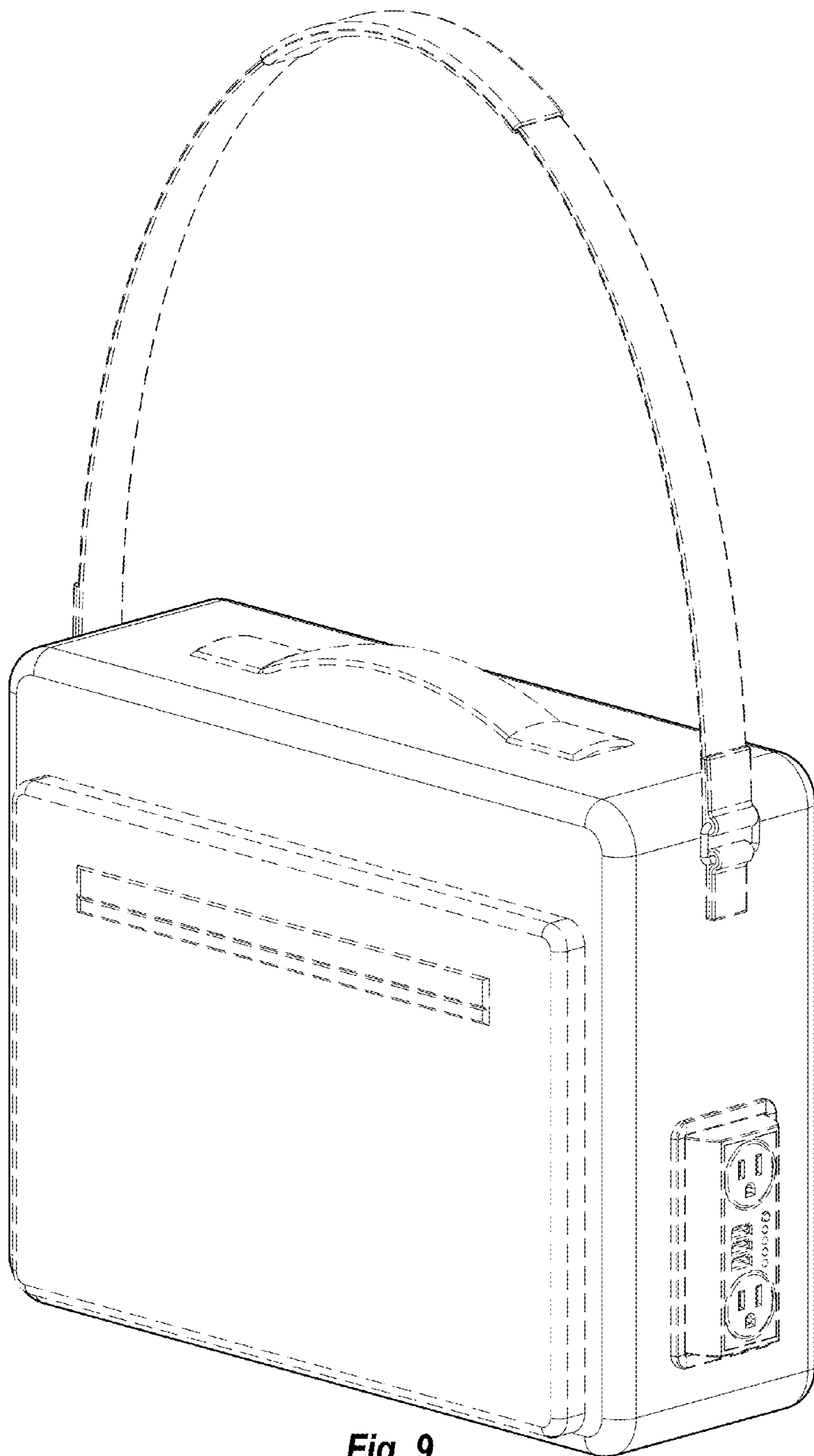


Fig. 9

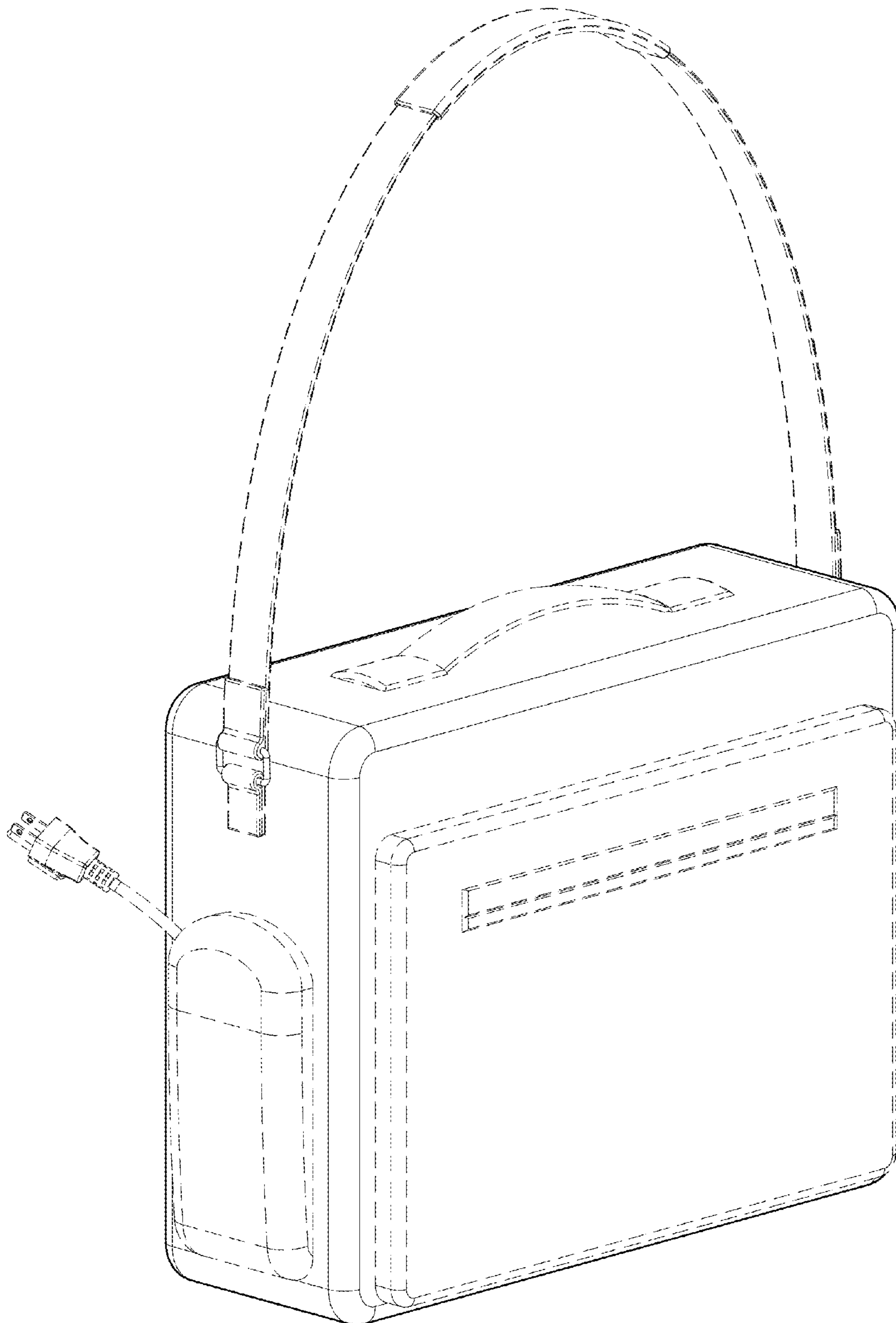


Fig. 10

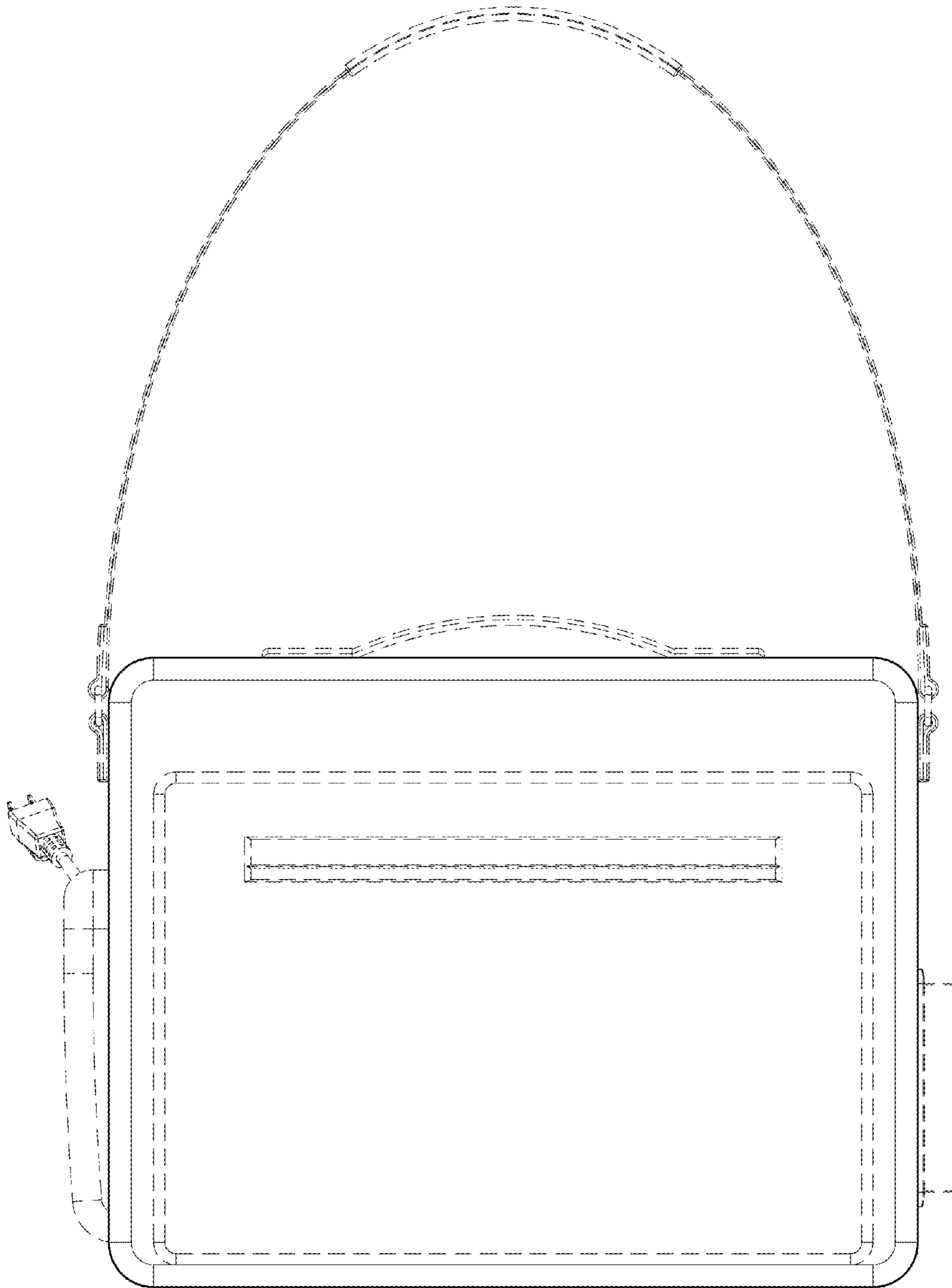


Fig. 11

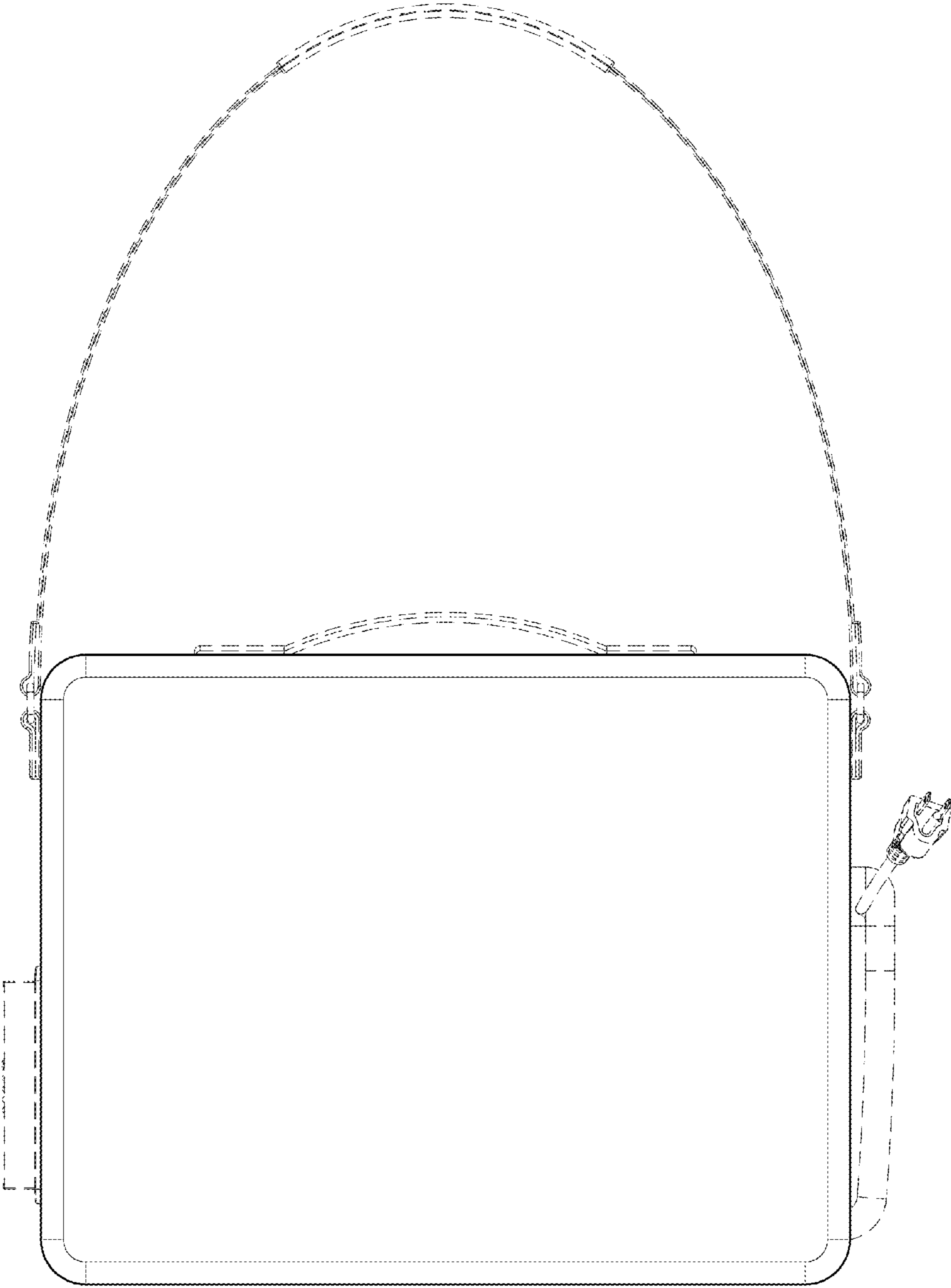


Fig. 12

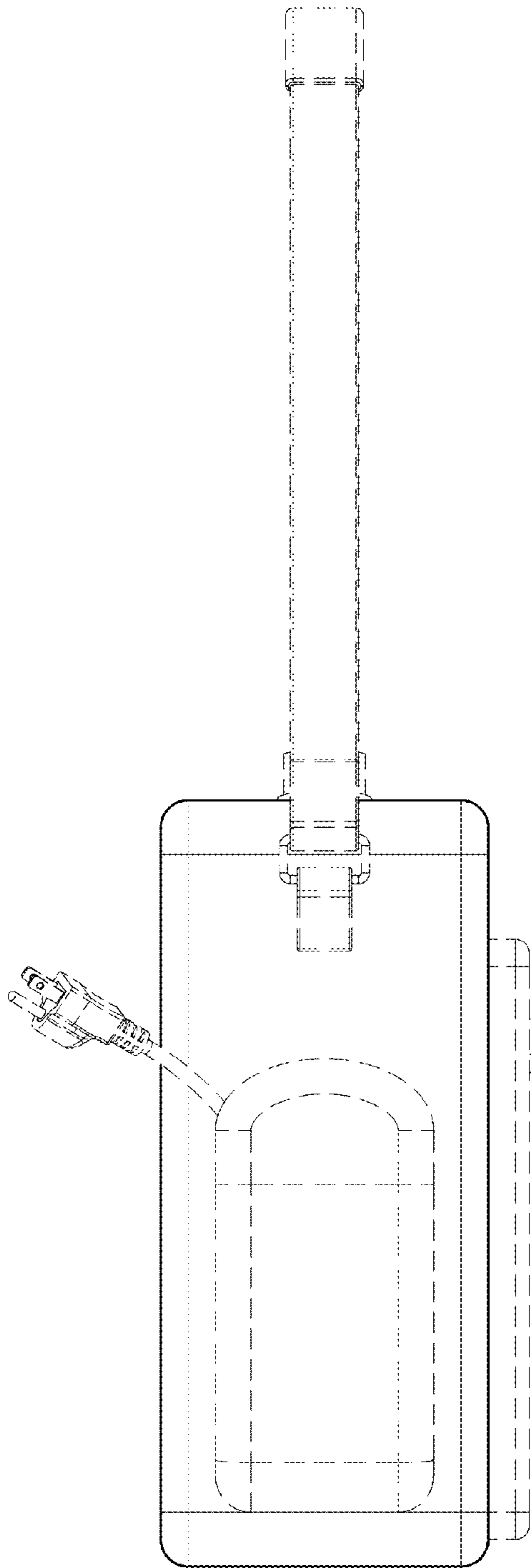


Fig. 13

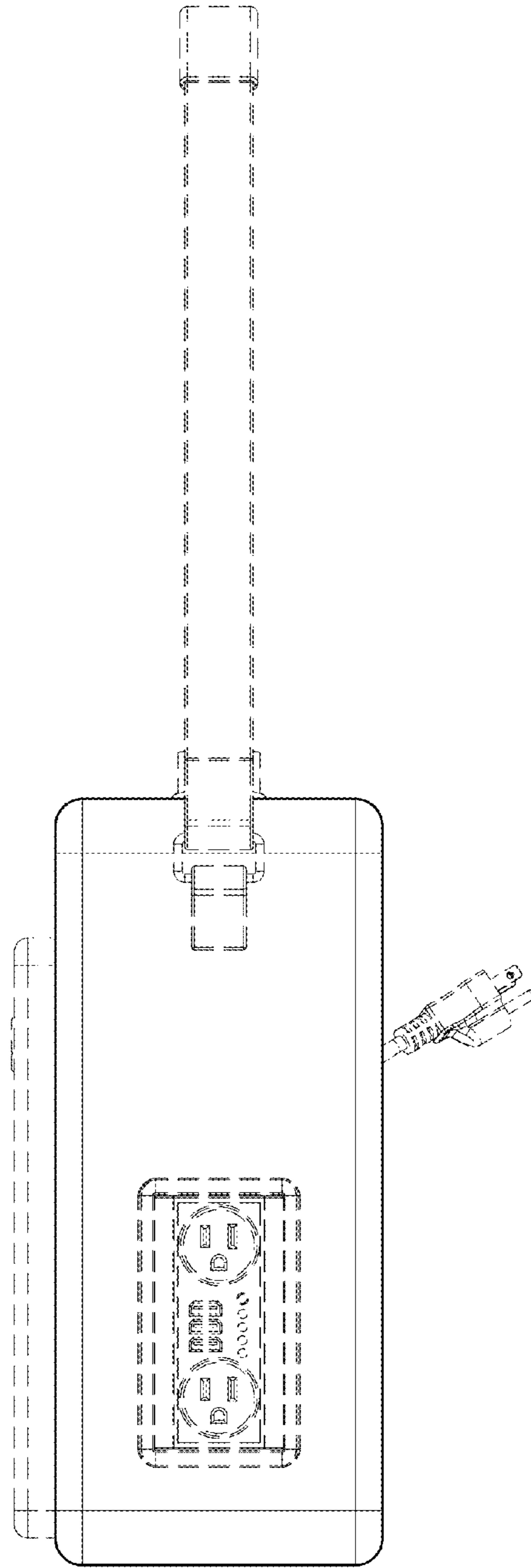


Fig. 14

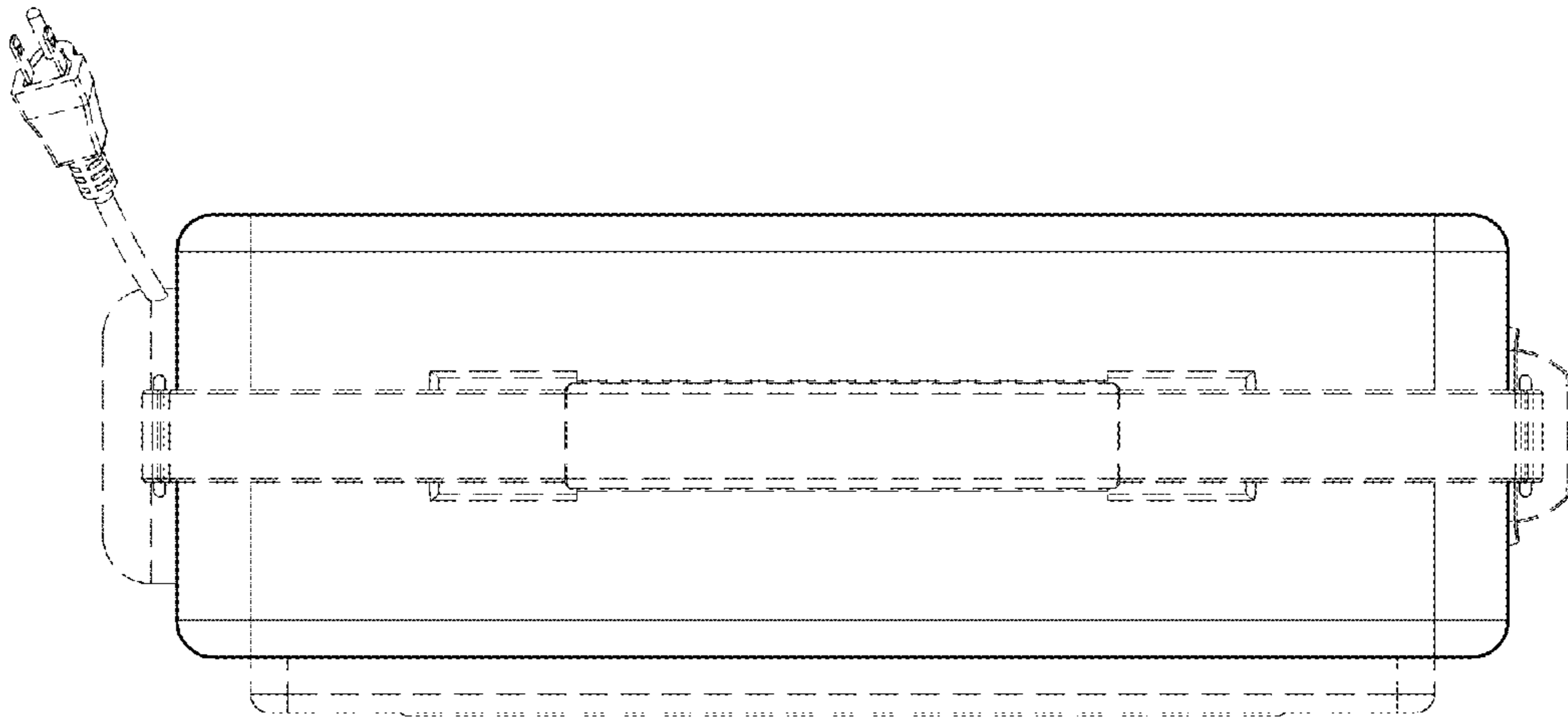


Fig. 15

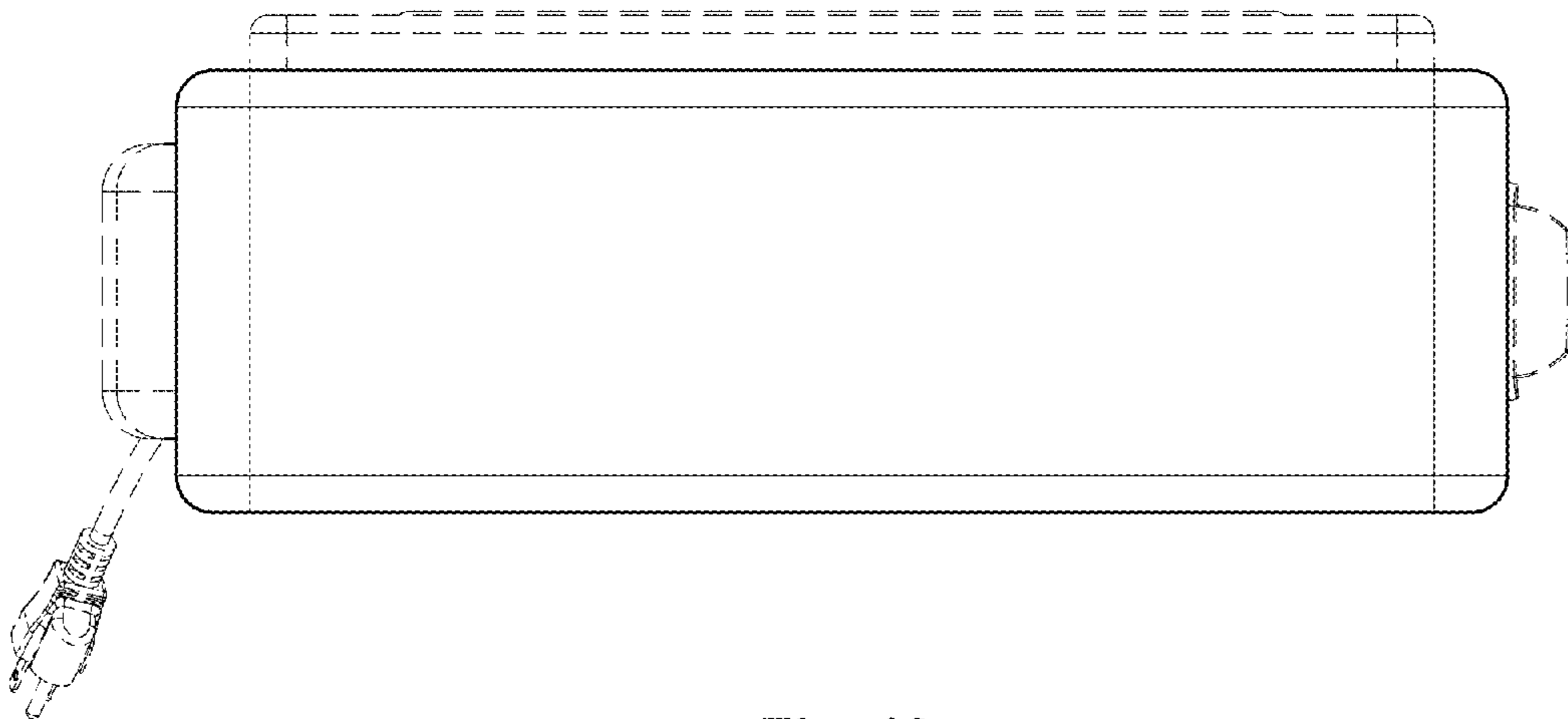


Fig. 16