



US00D725897S

(12) **United States Design Patent**
Christie

(10) **Patent No.:** **US D725,897 S**
(45) **Date of Patent:** **** Apr. 7, 2015**

(54) **UMBRELLA WITH INTEGRAL CASE**

(71) Applicant: **Marc Christie**, Miramar, FL (US)

(72) Inventor: **Marc Christie**, Miramar, FL (US)

(**) Term: **14 Years**

(21) Appl. No.: **29/459,566**

(22) Filed: **Jul. 1, 2013**

(51) **LOC (10) Cl.** **03-03**

(52) **U.S. Cl.**
USPC **D3/5**

(58) **Field of Classification Search**
CPC A45B 15/00; A45B 19/00
USPC D3/5, 11, 265; D9/422, 423, 529, 727;
D28/88, 89; 135/20.3, 25.1, 25.41
See application file for complete search history.

(56) **References Cited**

U.S. PATENT DOCUMENTS

D441,145	S	*	4/2001	Chang	D28/88
D446,005	S	*	8/2001	Be Lue	D3/11
6,334,454	B1	*	1/2002	Williams	135/25.41
D466,685	S	*	12/2002	Gref	D3/11
D477,216	S	*	7/2003	Gronwall	D9/727
D632,017	S	*	2/2011	Lee	D28/89
D703,060	S	*	4/2014	Okulla	D9/529
D713,637	S	*	9/2014	Herriger et al.	D3/5
2005/0166949	A1	*	8/2005	Ko	135/25.41
2010/0212706	A1	*	8/2010	Klose	135/25.1
2012/0222713	A1	*	9/2012	Herriger et al.	135/20.3

* cited by examiner

FOREIGN PATENT DOCUMENTS

EM	002022525-0001	*	4/2012
KR	300643443.0000	*	2/2012

Primary Examiner — Cathron Brooks

Assistant Examiner — Catherine Posthauer

(74) *Attorney, Agent, or Firm* — Nancy J. Flint, Esq.; Nancy J. Flint, Attorney At Law, P.A.

(57) **CLAIM**

The ornamental design for an umbrella with integral case, as shown and described.

DESCRIPTION

FIG. 1 is a front perspective view of a first embodiment of an umbrella with integral case showing the unopened umbrella inserted into the case, with the case in a closed position, showing my new design;

FIG. 2 is a front view of a first embodiment of an umbrella with integral case showing the unopened umbrella inserted into the case, with the case in a closed position;

FIG. 3 is a back view of a first embodiment of an umbrella with integral case showing the unopened umbrella inserted into the case, with the case in a closed position;

FIG. 4 is a left side view of a first embodiment of an umbrella with integral case showing the unopened umbrella inserted into the case, with the case in a closed position;

FIG. 5 is a right side view of a first embodiment of an umbrella with integral case showing the unopened umbrella inserted into the case, with the case in a closed position;

FIG. 6 is a top view of a first embodiment of an umbrella with integral case showing the unopened umbrella inserted into the case, with the case in a closed position;

FIG. 7 is a bottom view of a first embodiment of an umbrella with integral case showing the unopened umbrella inserted into the case, with the case in a closed position;

FIG. 8 is a front perspective view of a first embodiment of an umbrella with integral case showing the unopened umbrella inserted into the case, with the case in an open position;

FIG. 9 is a front view of a first embodiment of an umbrella with integral case showing the unopened umbrella inserted into the case, with the case in an open position;

FIG. 10 is a back view of a first embodiment of an umbrella with integral case showing the unopened umbrella inserted into the case, with the case in an open position;

FIG. 11 is a left side view of a first embodiment of an umbrella with integral case showing the unopened umbrella inserted into the case, with the case in an open position;

FIG. 12 is a right side view of a first embodiment of an umbrella with integral case showing the unopened umbrella inserted into the case, with the case in an open position;

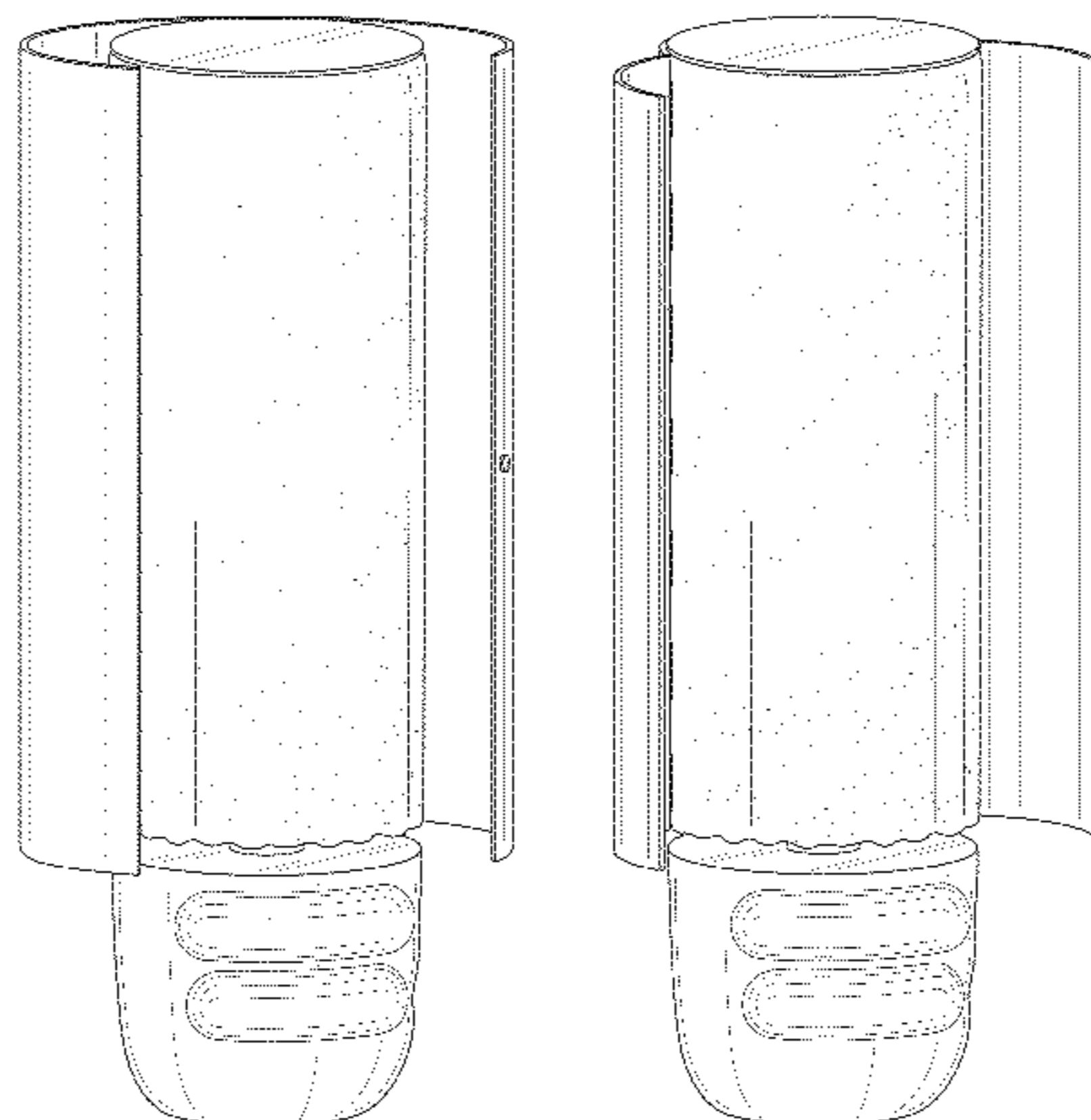


FIG. 13 is a top view of a first embodiment of an umbrella with integral case showing the unopened umbrella inserted into the case, with the case in an open position;

FIG. 14 is a bottom view of a first embodiment of an umbrella with integral case showing the unopened umbrella inserted into the case, with the case in an open position;

FIG. 15 is a front view of a first embodiment of an umbrella with integral case showing the unopened umbrella removed from the case, with the case in a closed position;

FIG. 16 is a front view of a first embodiment of an umbrella with integral case showing the opened umbrella removed from the case, with the case in an open position;

FIG. 17 is a front view of a first embodiment of an umbrella with integral case showing the opened umbrella removed from the case, with the case in a closed position;

FIG. 18 is a front perspective view of a second embodiment of an umbrella with integral case showing the unopened umbrella inserted into the case, with the case in an open position, showing my new design;

FIG. 19 is a front view of a second embodiment of an umbrella with integral case showing the unopened umbrella inserted into the case, with the case in an open position;

FIG. 20 is a back view of a second embodiment of an umbrella with integral case showing the unopened umbrella inserted into the case, with the case in an open position;

FIG. 21 is a left side view of a second embodiment of an umbrella with integral case showing the unopened umbrella inserted into the case, with the case in an open position;

FIG. 22 is a right side view of a second embodiment of an umbrella with integral case showing the unopened umbrella inserted into the case, with the case in an open position;

FIG. 23 is a top view of a second embodiment of an umbrella with integral case showing the unopened umbrella inserted into the case, with the case in an open position; and,

FIG. 24 is a bottom view of a second embodiment of an umbrella with integral case showing the unopened umbrella inserted into the case, with the case in an open position.

Right side views not shown are mirror images of left side views.

1 Claim, 21 Drawing Sheets

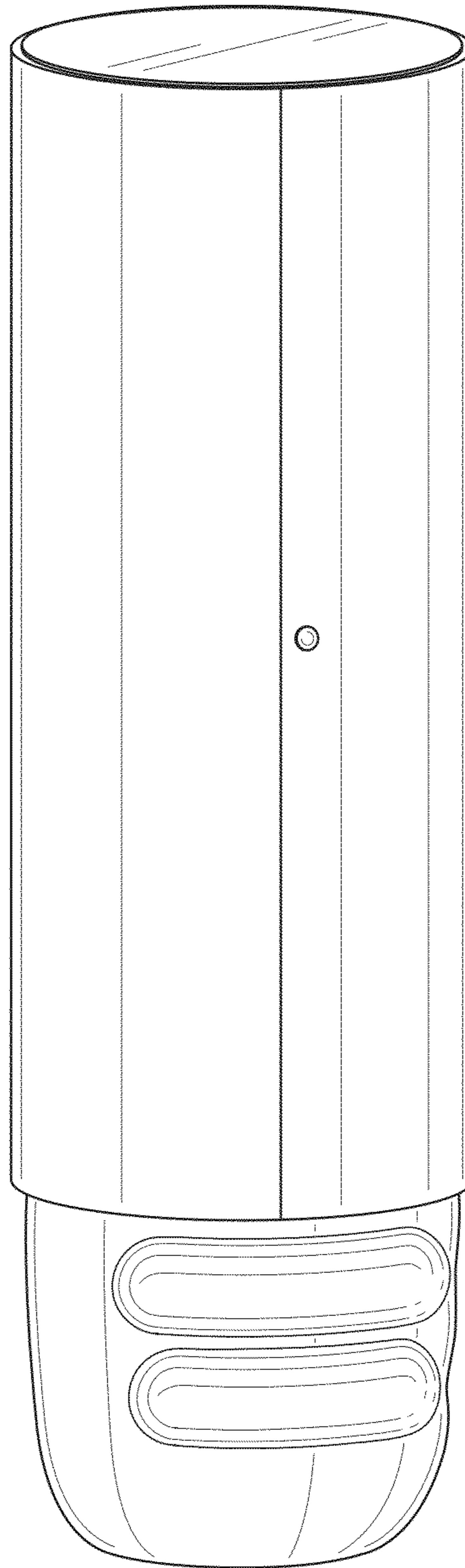


FIG. 1

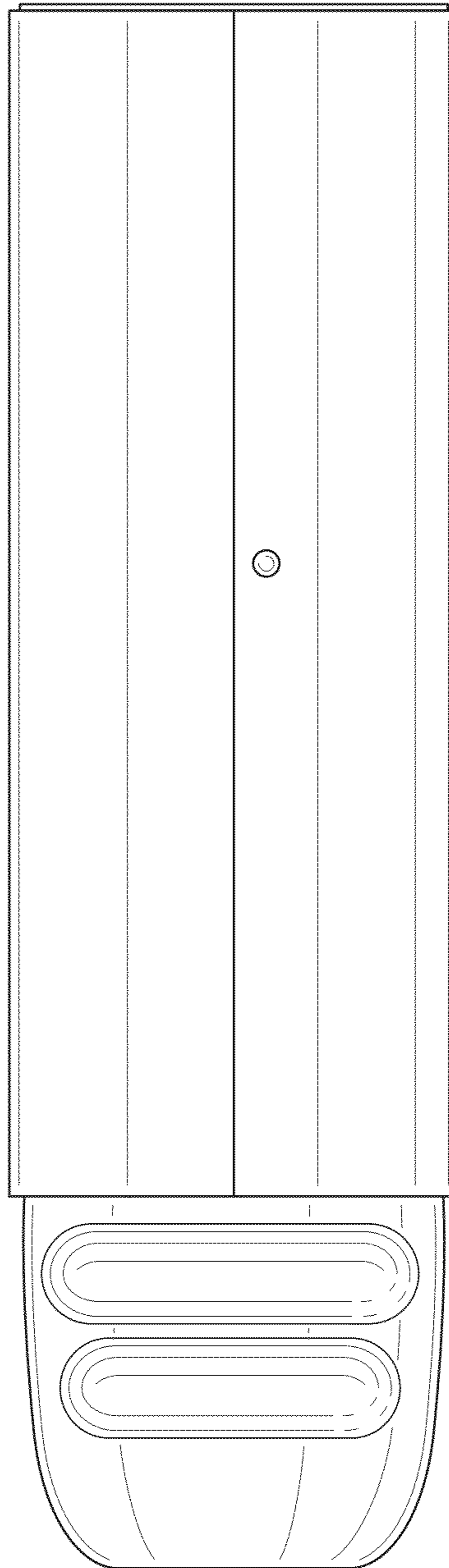


FIG. 2

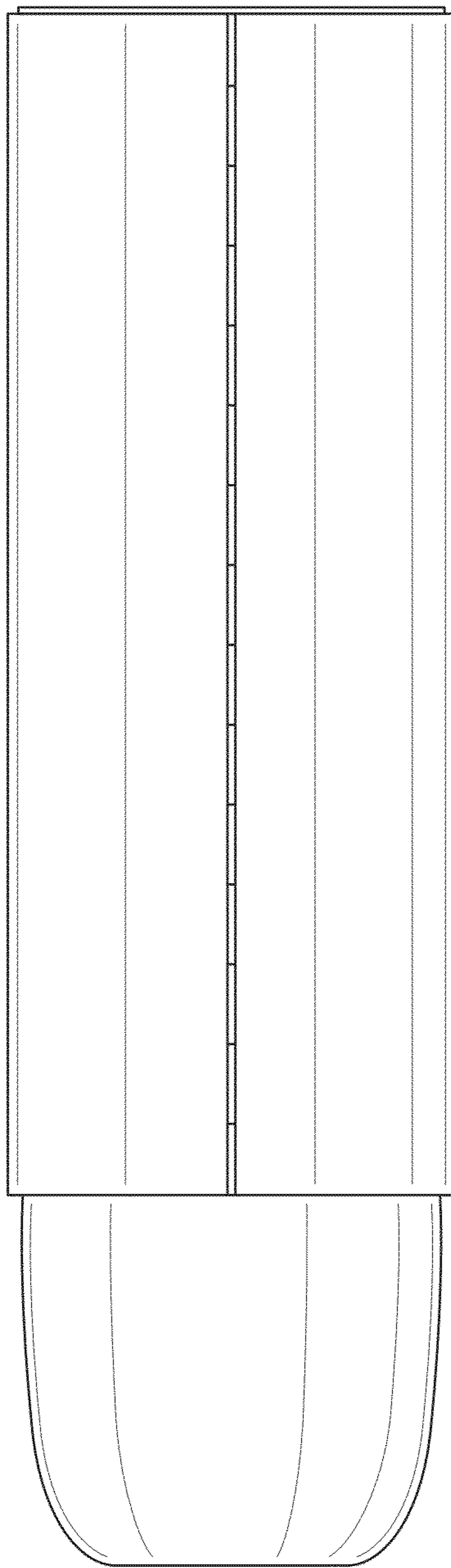


FIG. 3

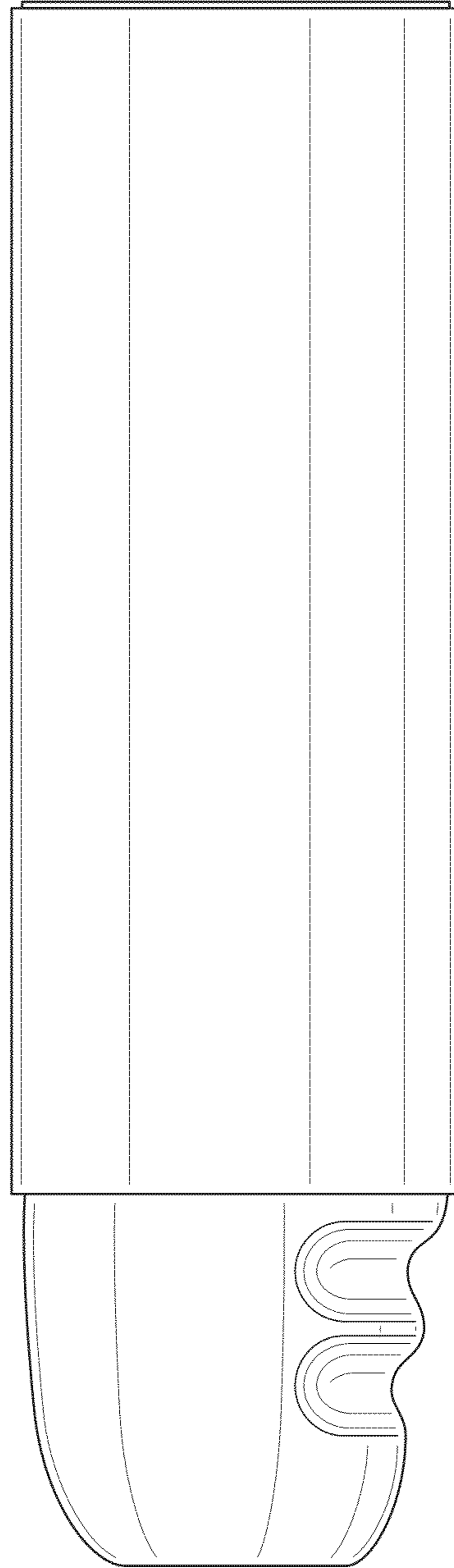


FIG. 4

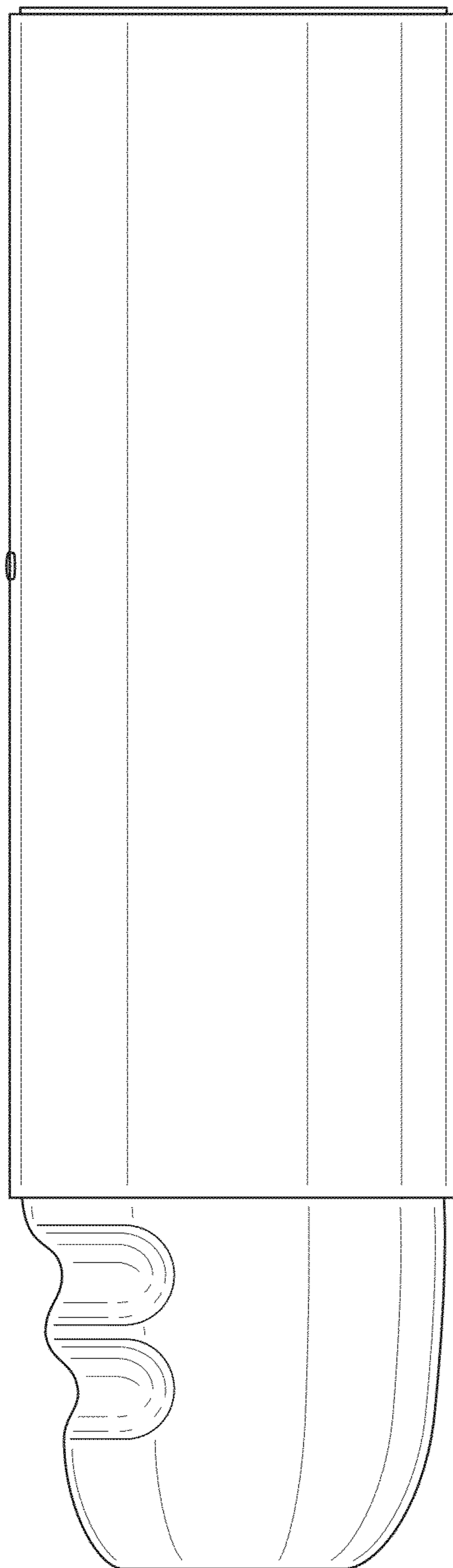


FIG. 5

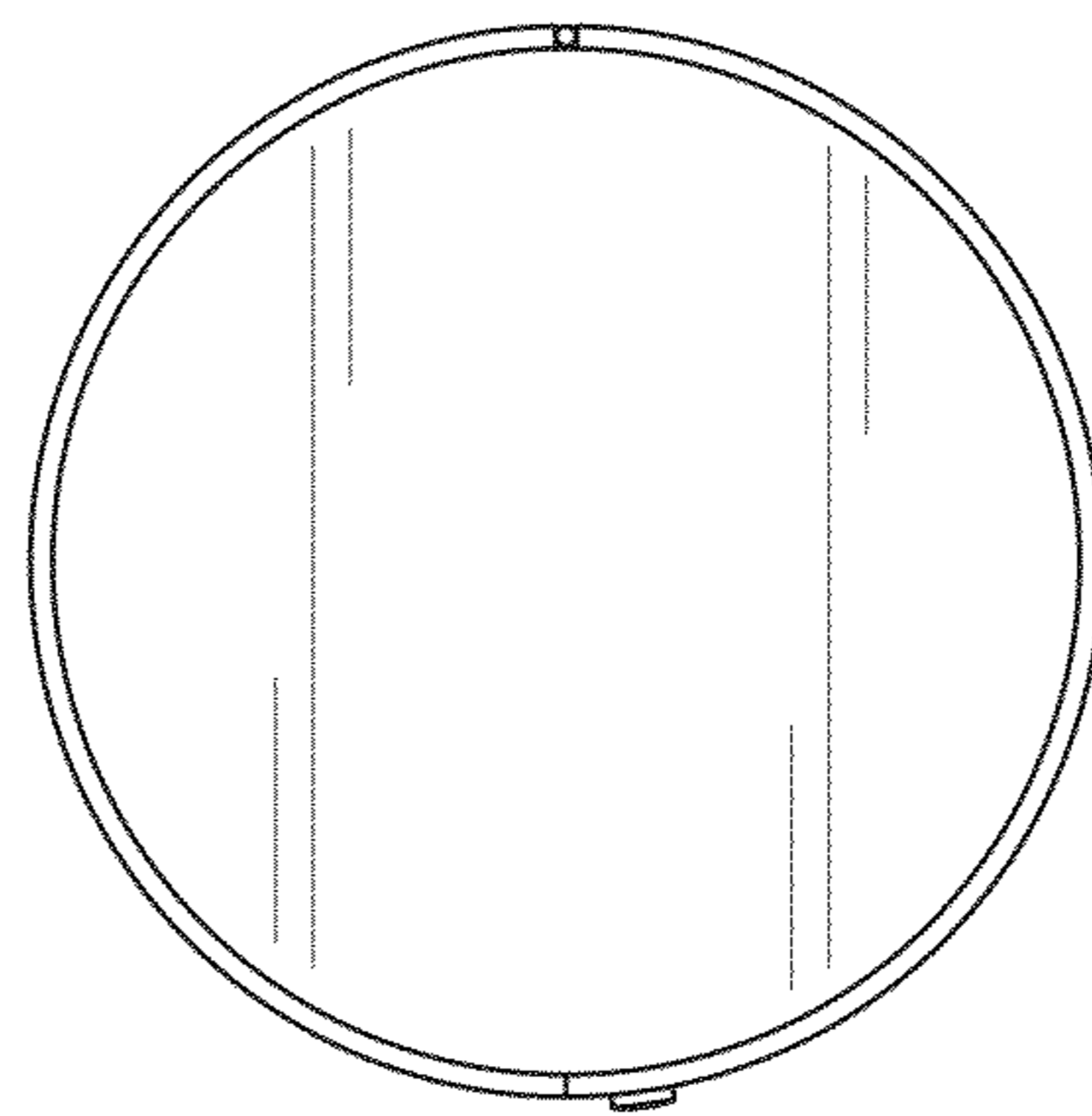


FIG. 6

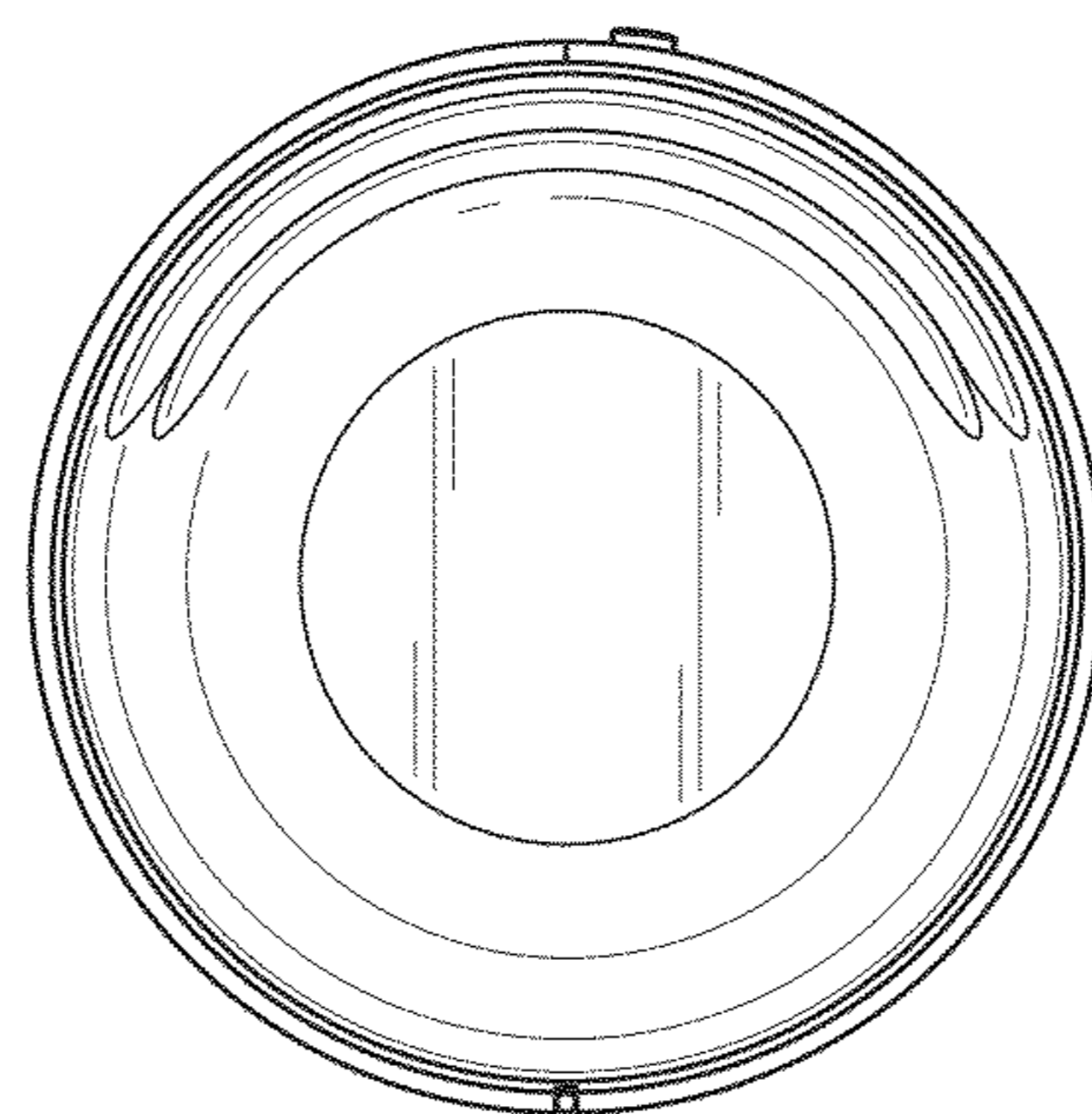


FIG. 7

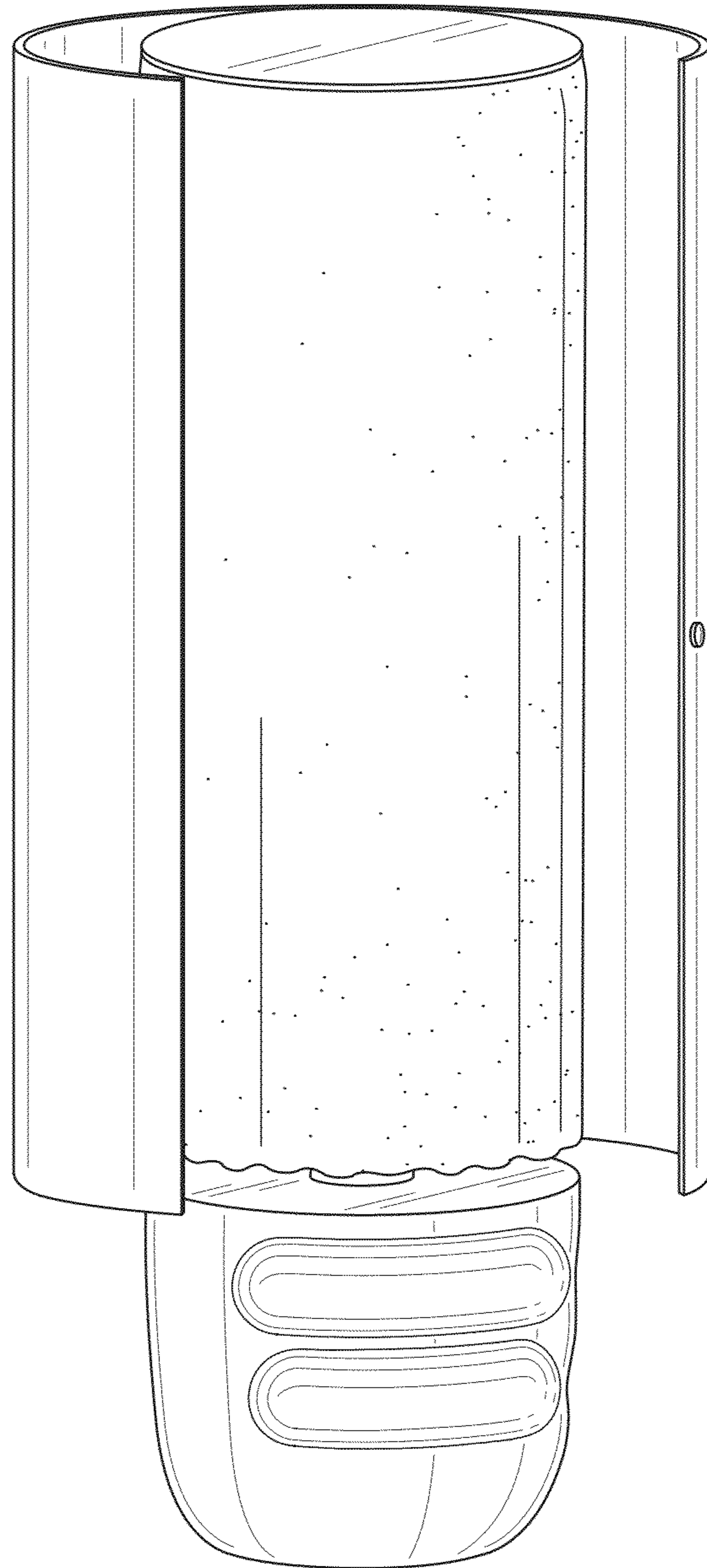


FIG. 8

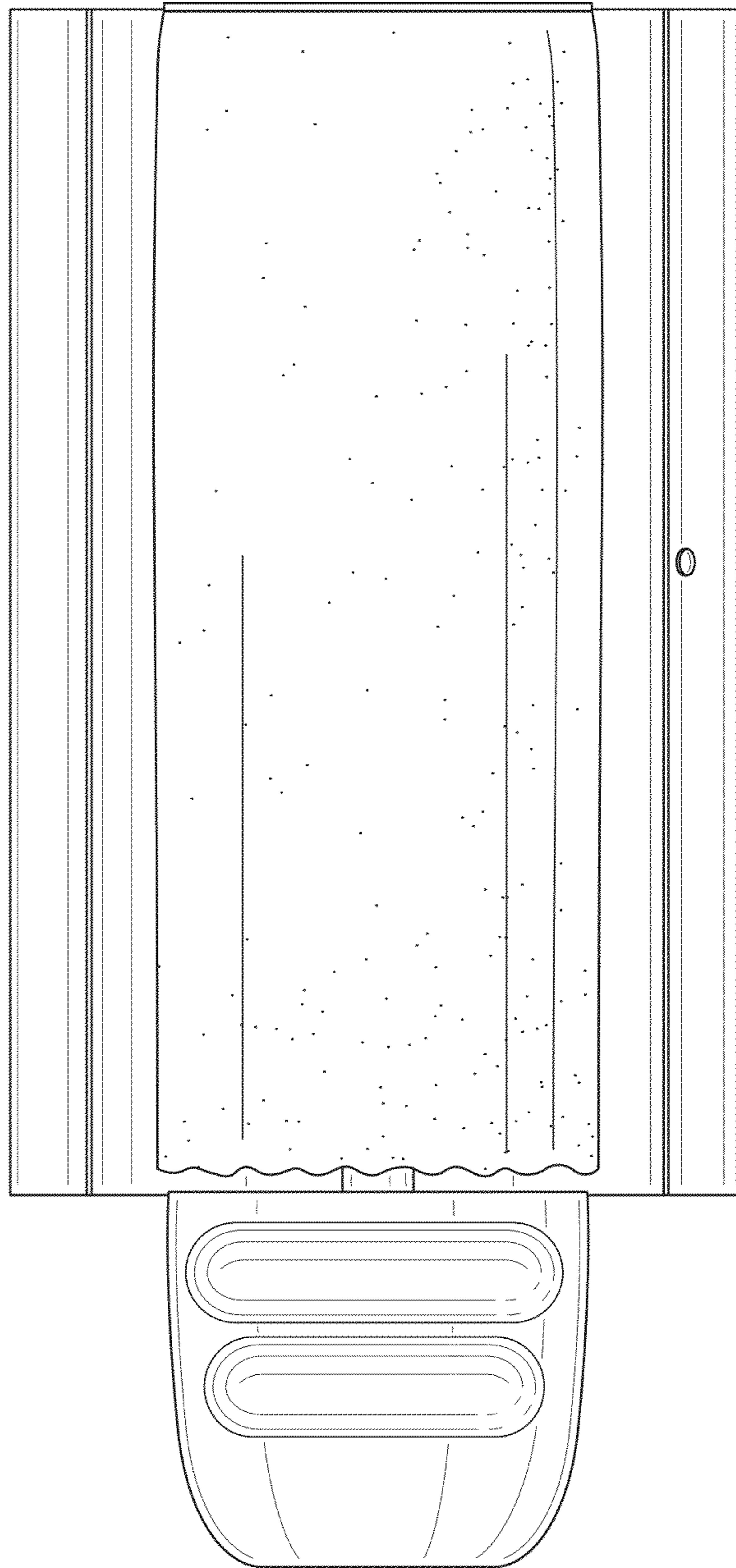


FIG. 9

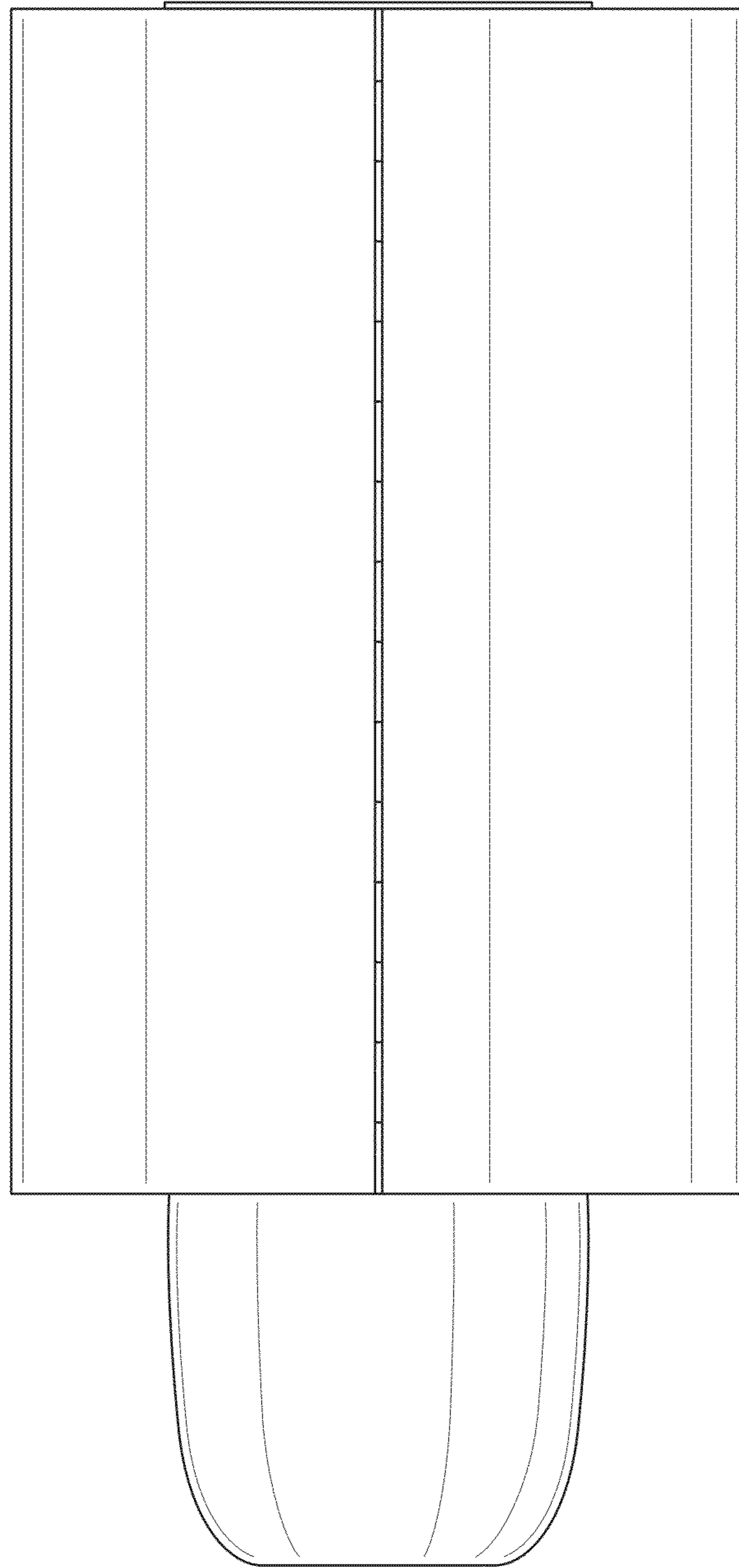


FIG. 10

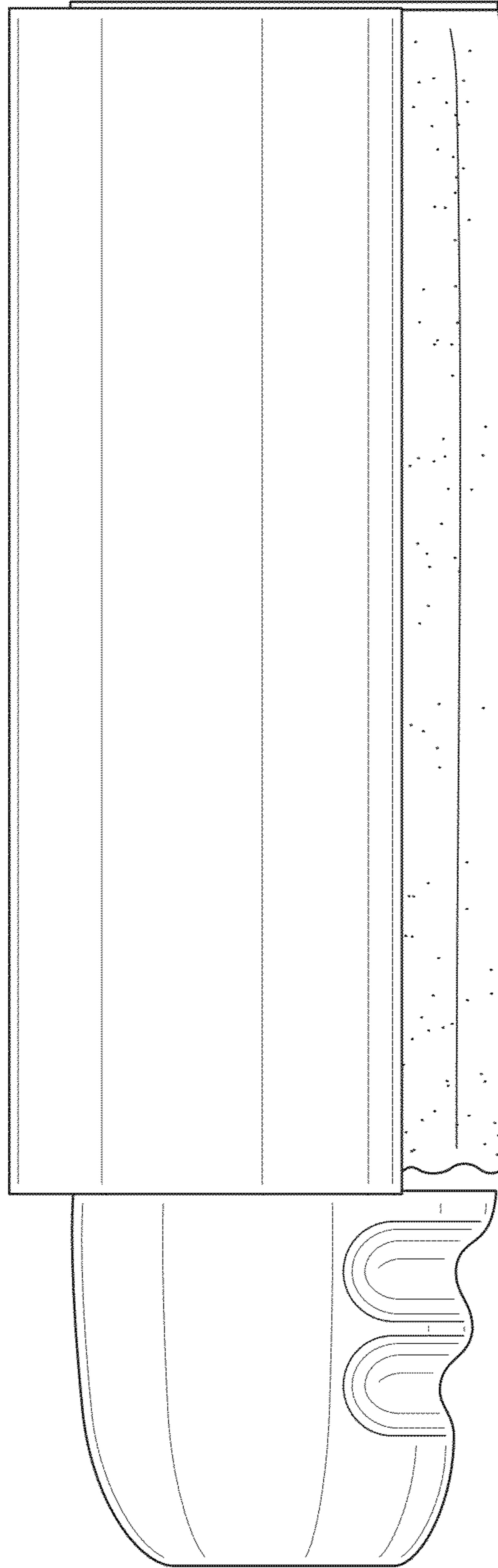


FIG. 11

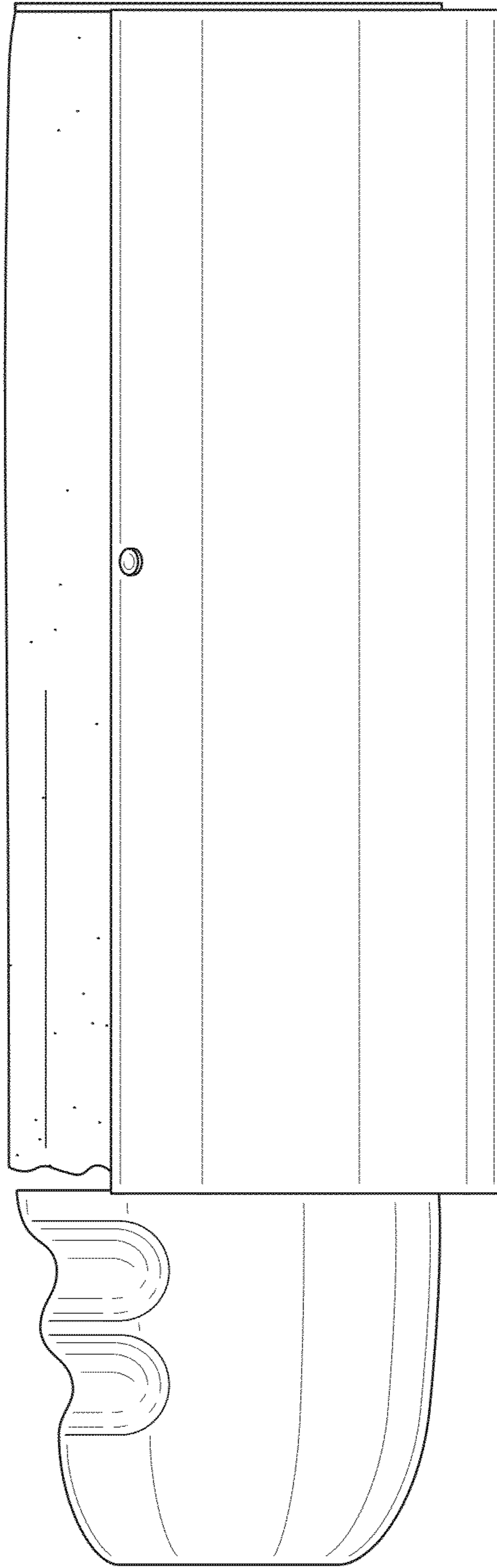


FIG. 12

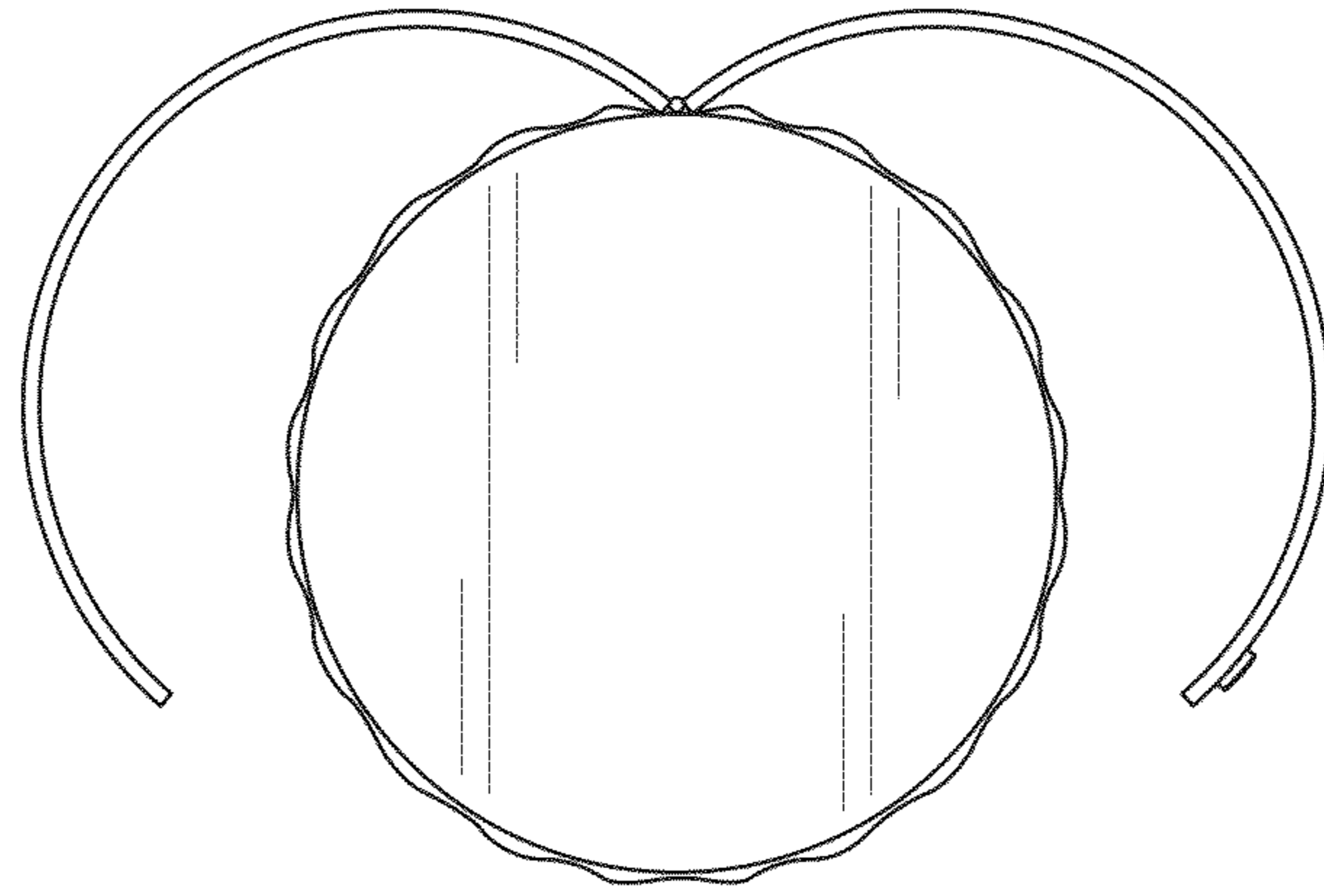


FIG. 13

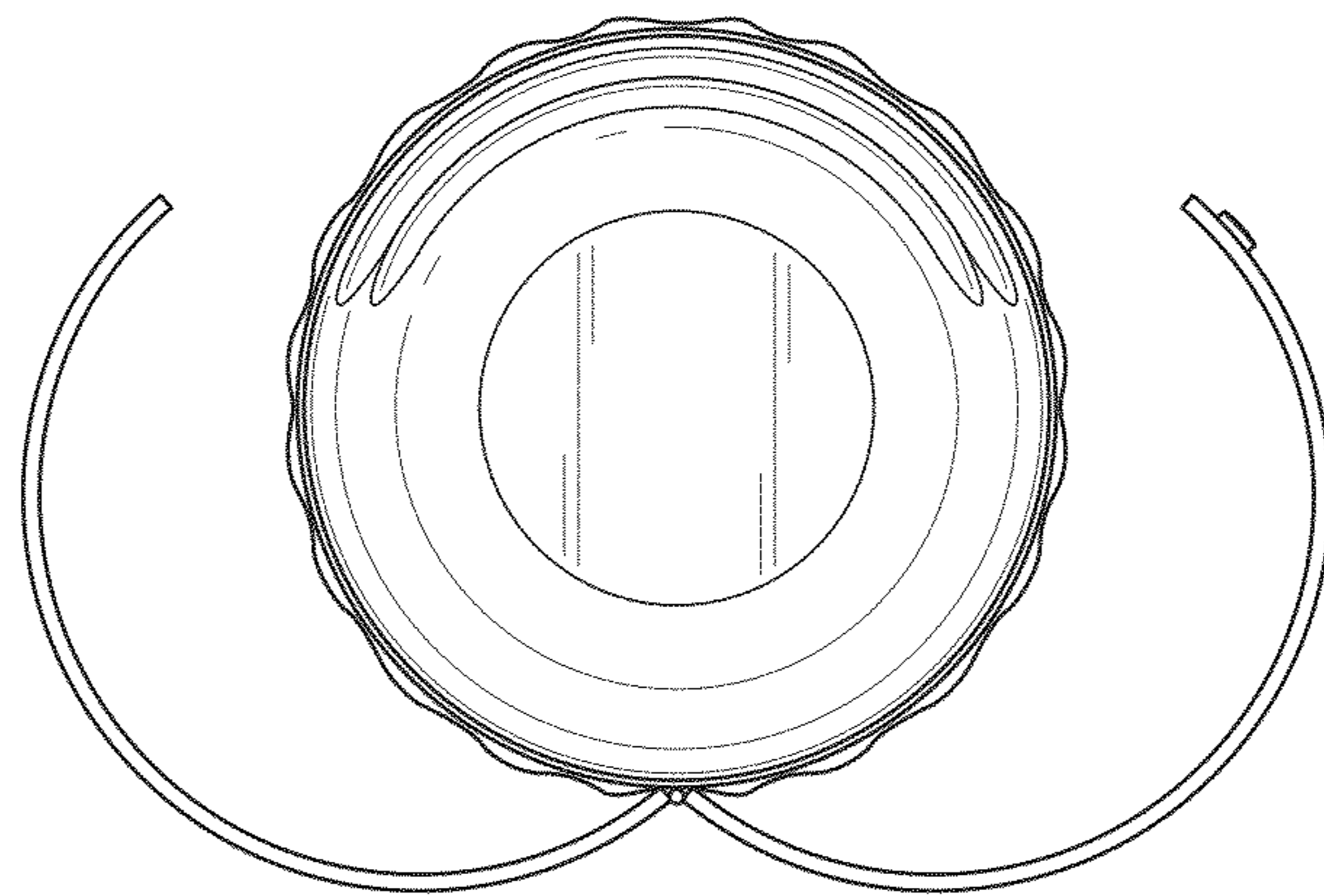


FIG. 14

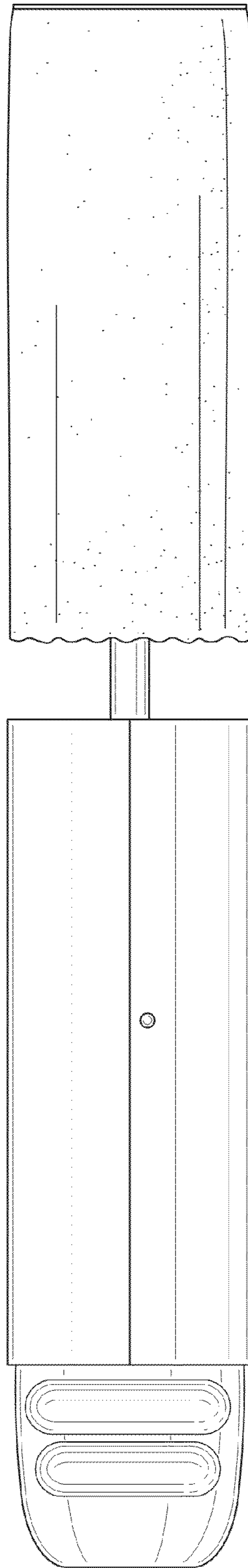


FIG. 15

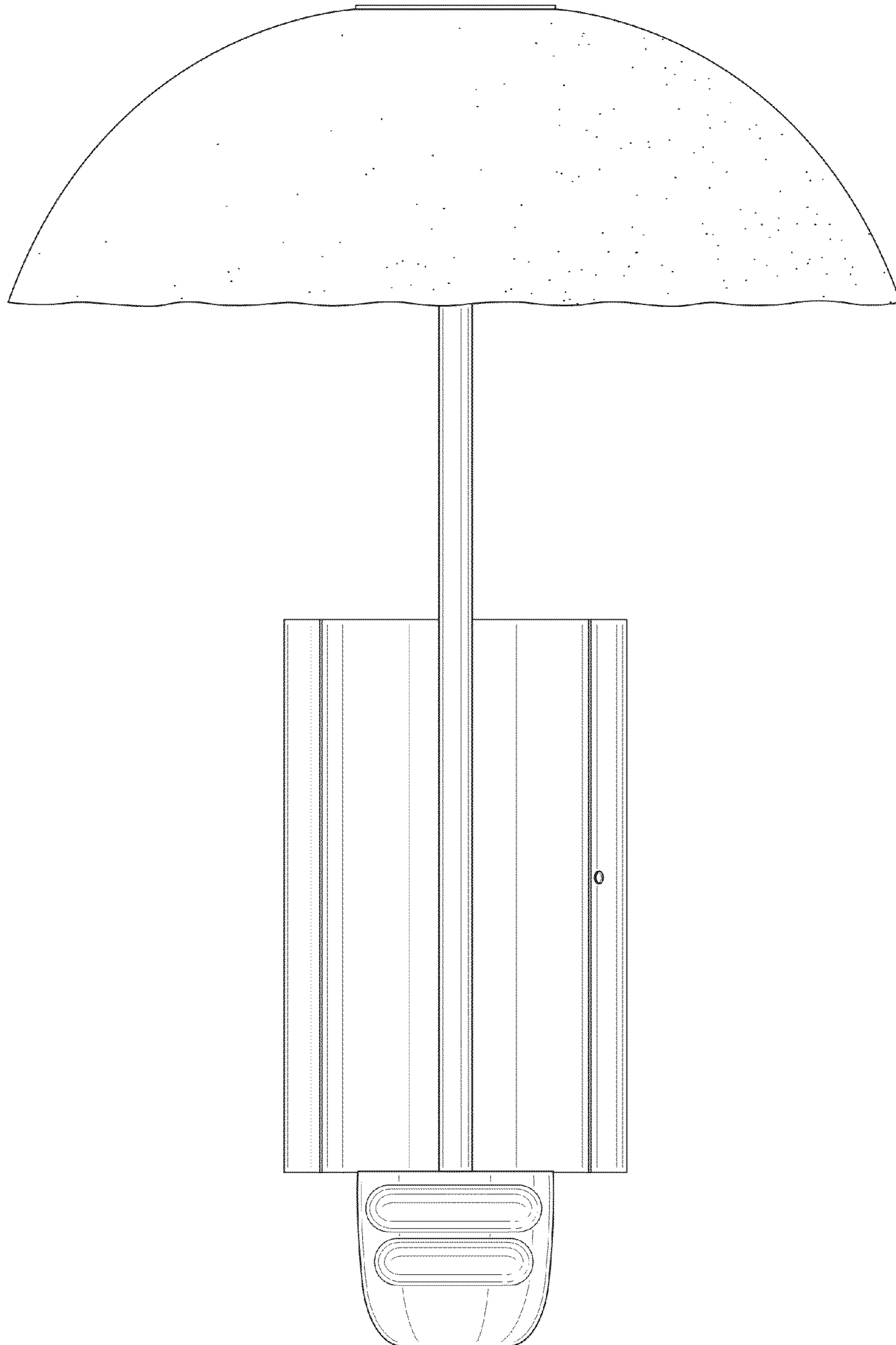


FIG. 16

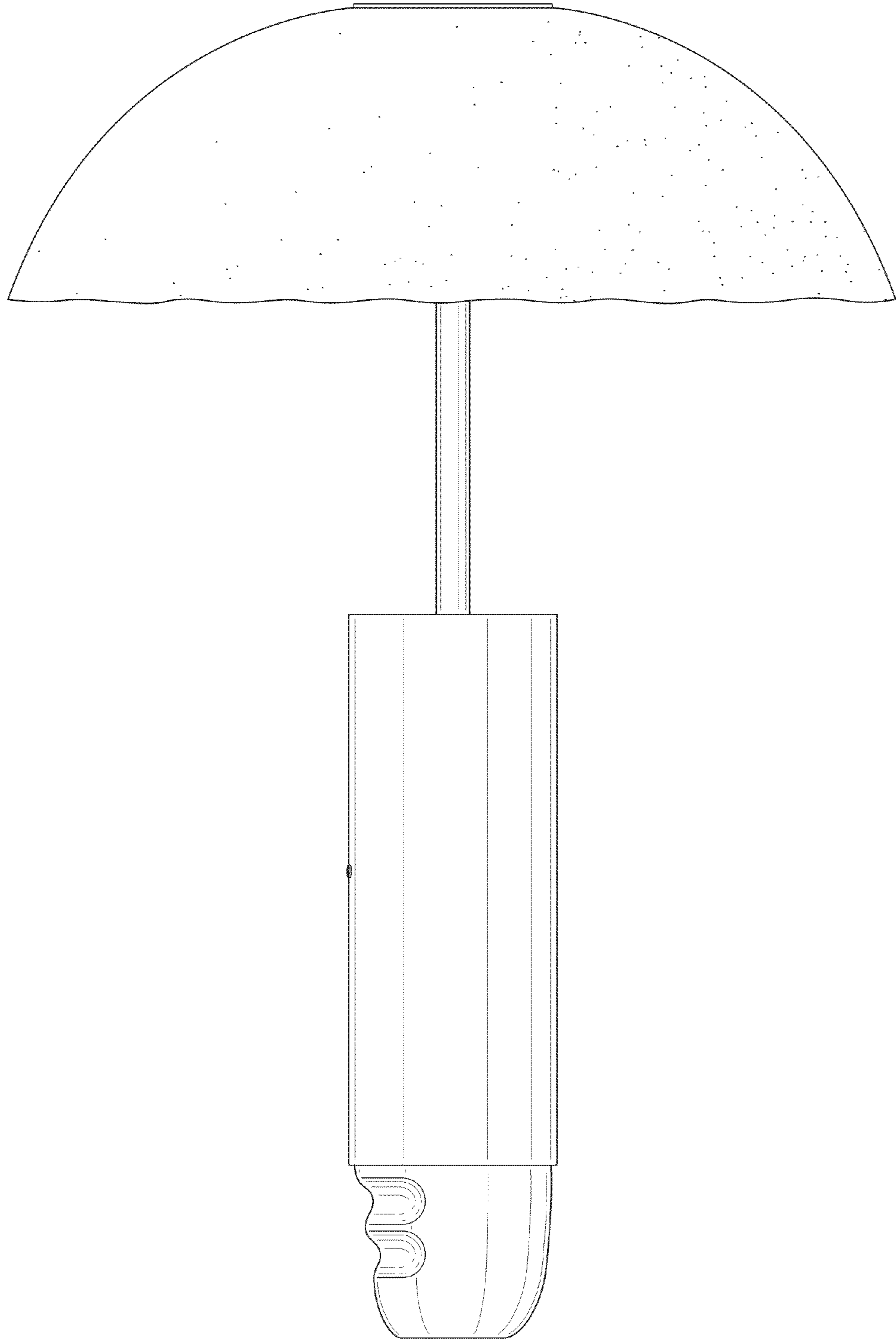


FIG. 17

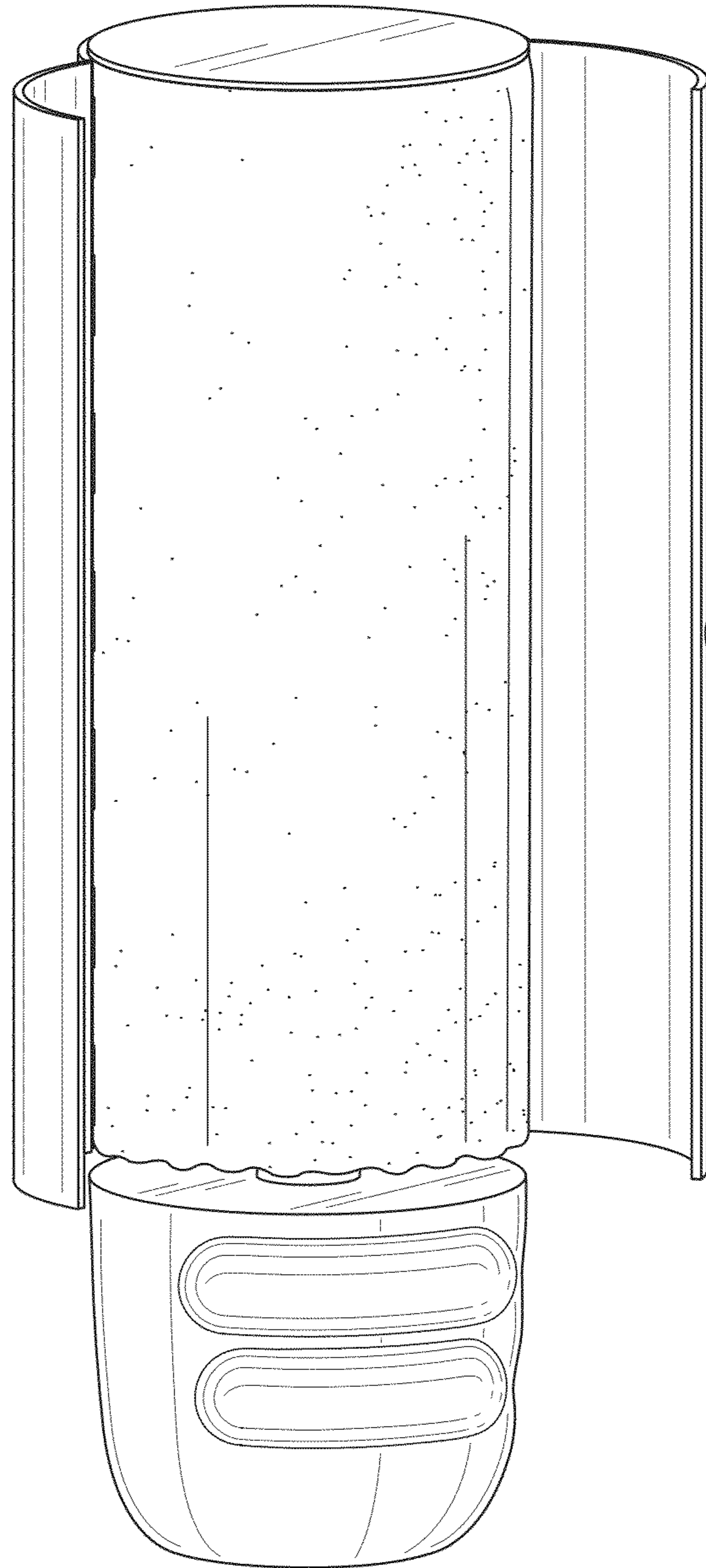


FIG. 18

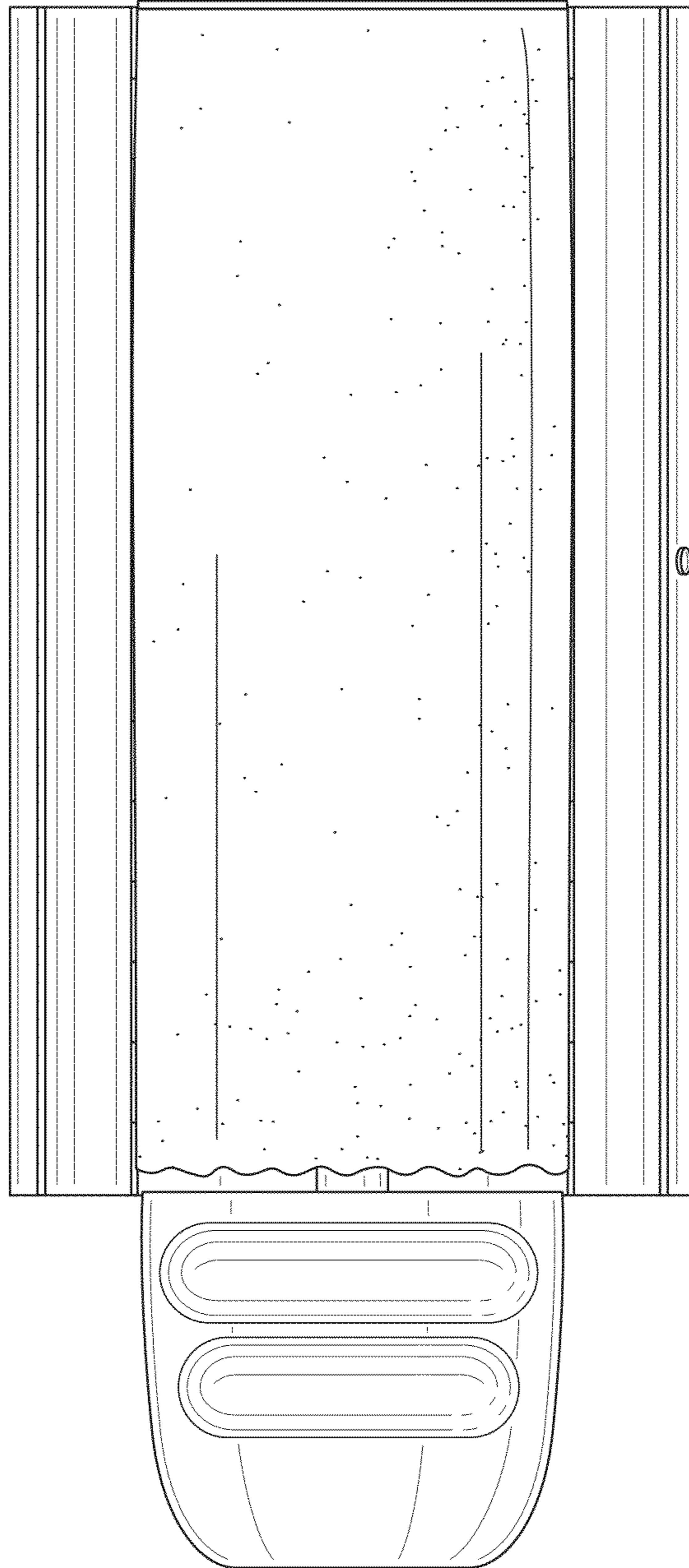


FIG. 19

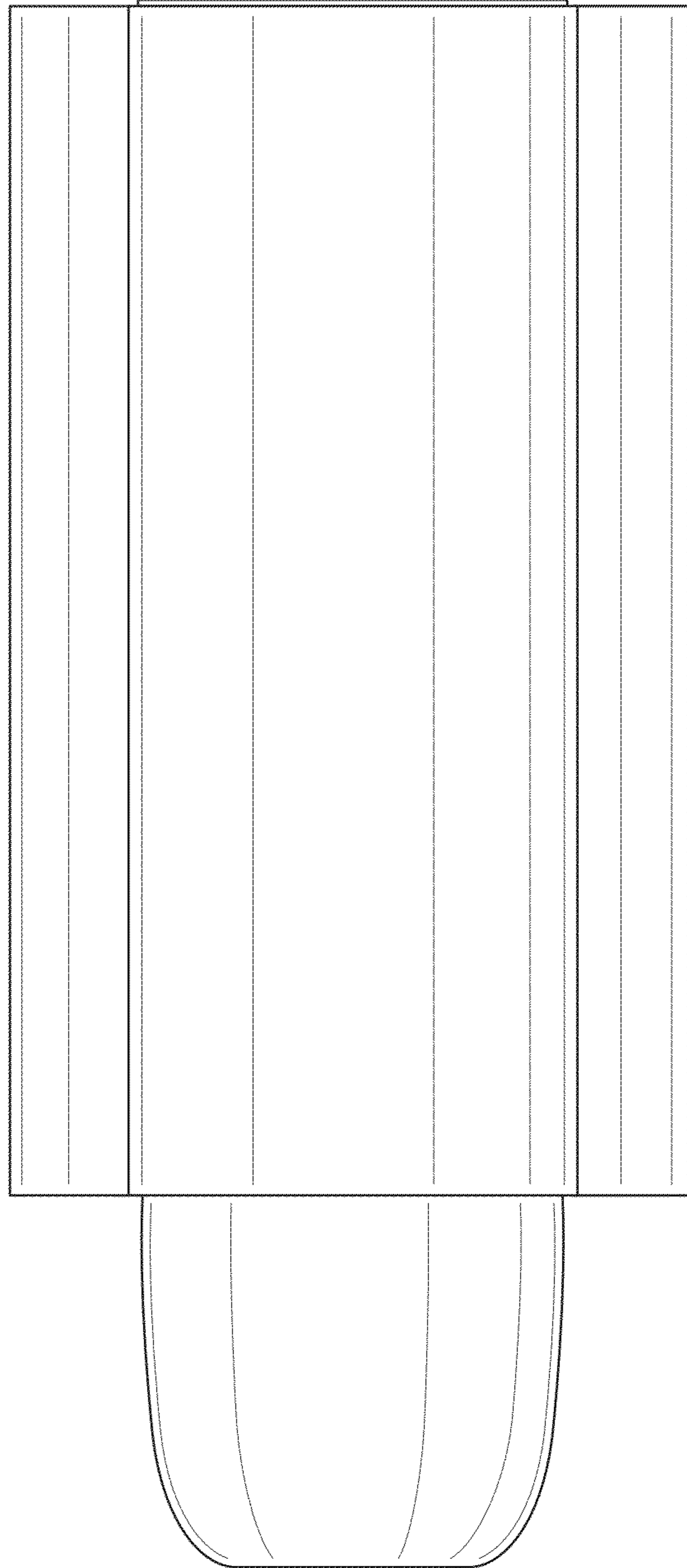


FIG. 20

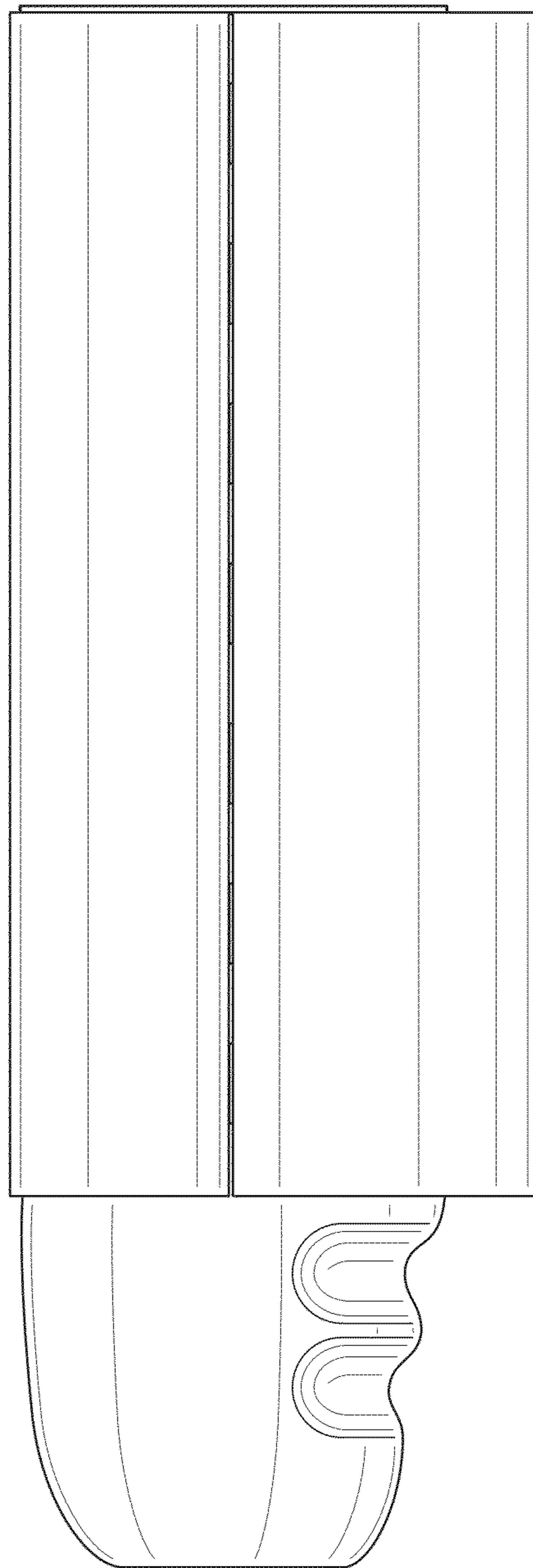


FIG. 21

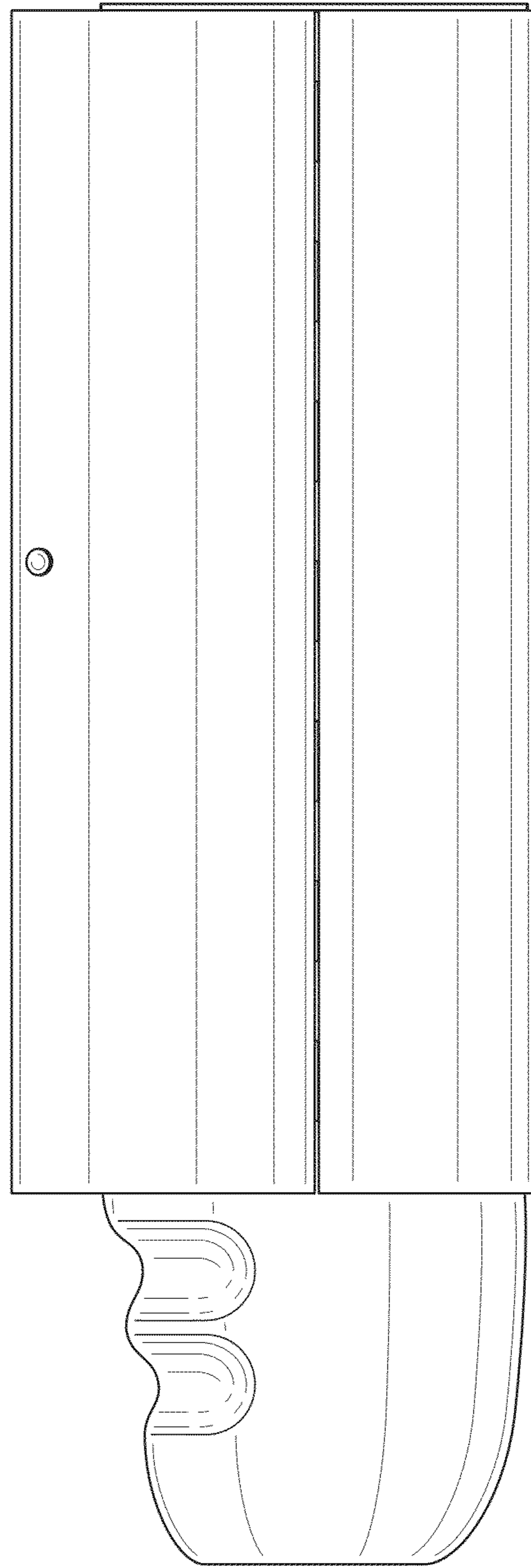


FIG. 22

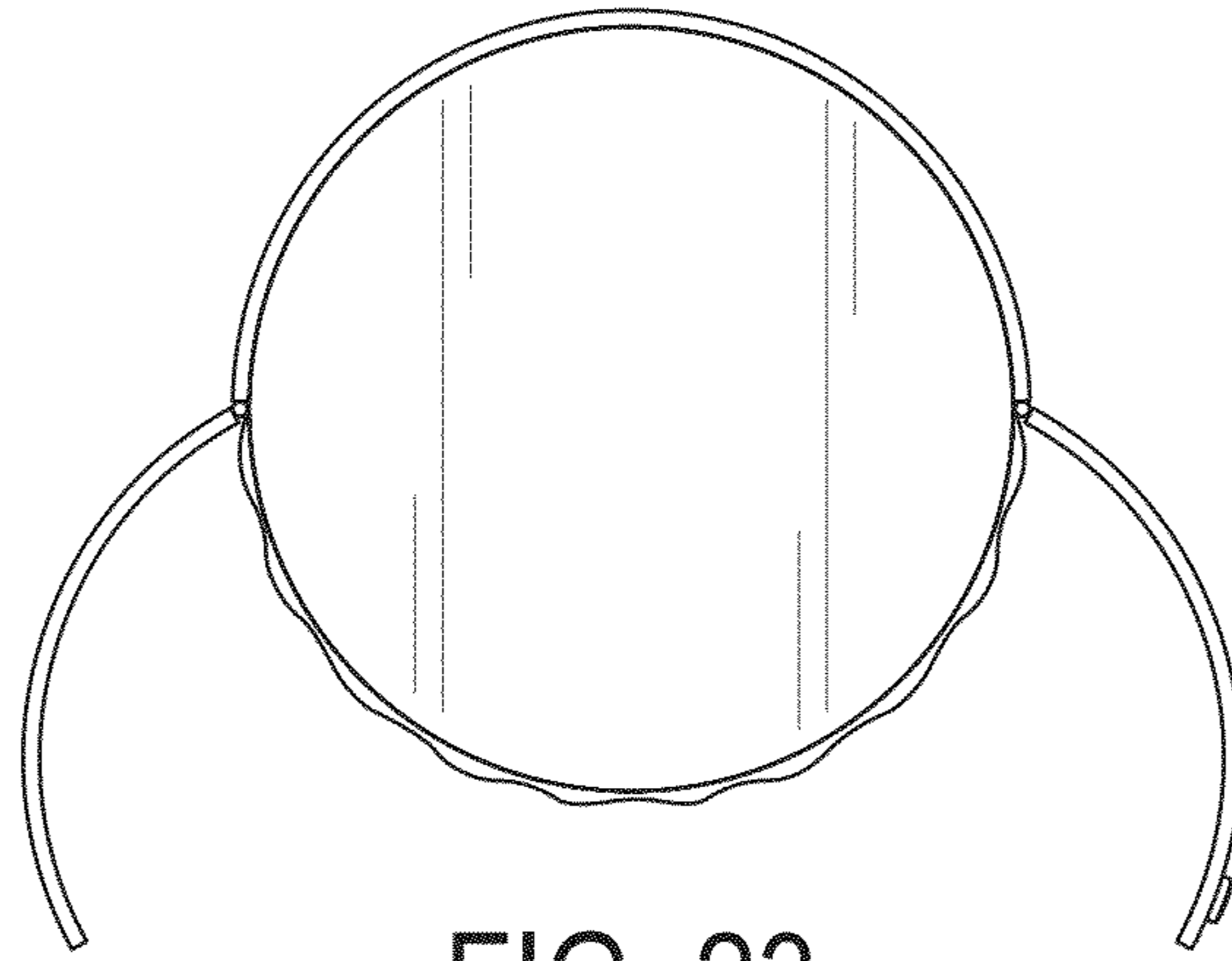


FIG. 23

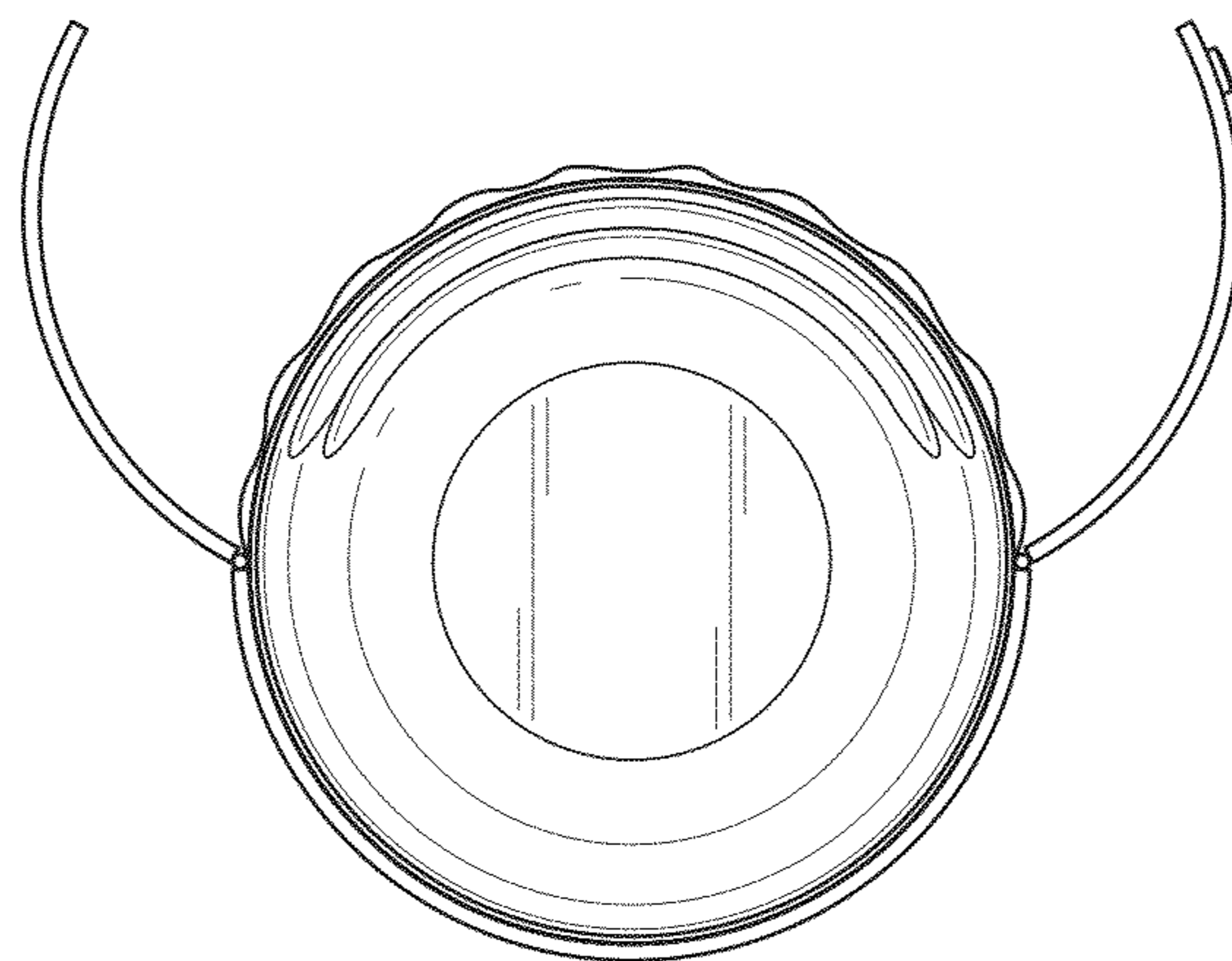


FIG. 24