



US00D725884S

(12) **United States Design Patent**
Amphyon

(10) **Patent No.:** **US D725,884 S**

(45) **Date of Patent:** **** Apr. 7, 2015**

(54) **UPPER OF A FOOTWEAR ARTICLE**

(71) Applicant: **Guillaume Amphyon, Sevrier (FR)**

(72) Inventor: **Guillaume Amphyon, Sevrier (FR)**

(73) Assignee: **Wilson Sporting Goods Co., Chicago, IL (US)**

(**) Term: **14 Years**

(21) Appl. No.: **29/441,313**

(22) Filed: **Jan. 3, 2013**

(51) **LOC (10) Cl.** **02-99**

(52) **U.S. Cl.**
USPC **D2/972**

(58) **Field of Classification Search**
USPC D2/902, 906-908, 944, 969, 972-974;
36/45, 50.1, 77 M, 77 R, 83, 88, 113,
36/114, 126-131
See application file for complete search history.

(56) **References Cited**

U.S. PATENT DOCUMENTS

D281,115 S *	10/1985	Campbell et al.	D2/907
D281,285 S *	11/1985	Campbell et al.	D2/907
D294,766 S *	3/1988	Igoe	D2/907
D297,781 S *	9/1988	Diaz et al.	D2/973

D298,982 S *	12/1988	Lussier	D2/973
D302,898 S *	8/1989	Greenberg	D2/969
D303,315 S *	9/1989	Tong et al.	D2/973
D309,055 S *	7/1990	Whatley	D2/969
D514,788 S *	2/2006	Schoenborn et al.	D2/969
D515,299 S *	2/2006	Burg	D2/969
D560,895 S *	2/2008	St. Louis	D2/969
D624,742 S *	10/2010	Akhidime	D2/969
D659,372 S *	5/2012	Stryjak et al.	D2/972
D659,978 S *	5/2012	Grenet et al.	D2/972
D690,496 S *	10/2013	Leleu	D2/972

* cited by examiner

Primary Examiner — Dominic Simone

(74) *Attorney, Agent, or Firm* — Terence P. O'Brien

(57) **CLAIM**

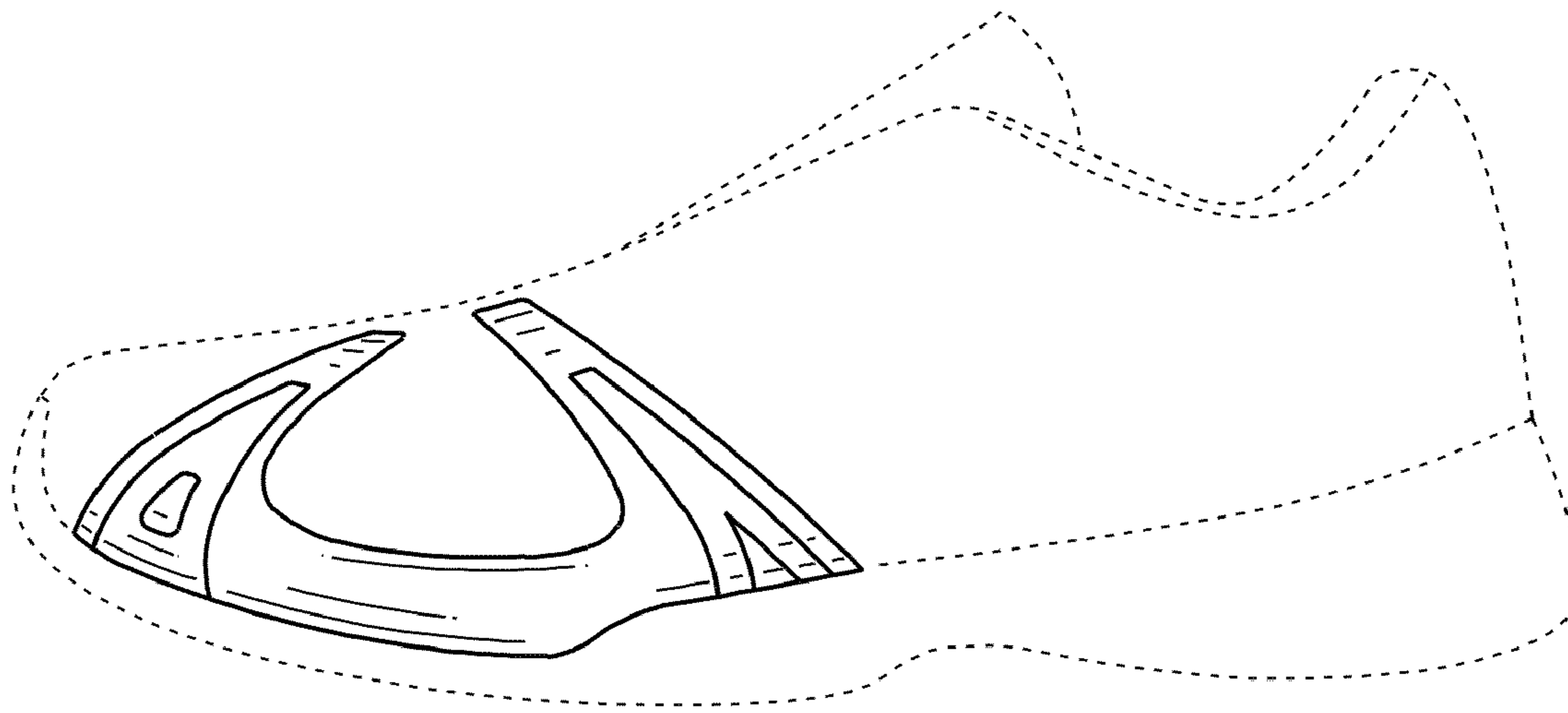
I claim the ornamental design for an upper of a footwear article, as shown and described.

DESCRIPTION

FIG. 1 is a side perspective view of an upper of a footwear article;
FIG. 2 is a side view of the upper of a footwear article of FIG. 1; and,
FIG. 3 is a top view of the upper of a footwear article of FIG. 1.

The ornamental design that is claimed is shown in solid lines in the drawings. The broken (dashed) lines shown in the figures are included for the purpose of illustrating environmental elements only and form no part of the claimed design.

1 Claim, 2 Drawing Sheets



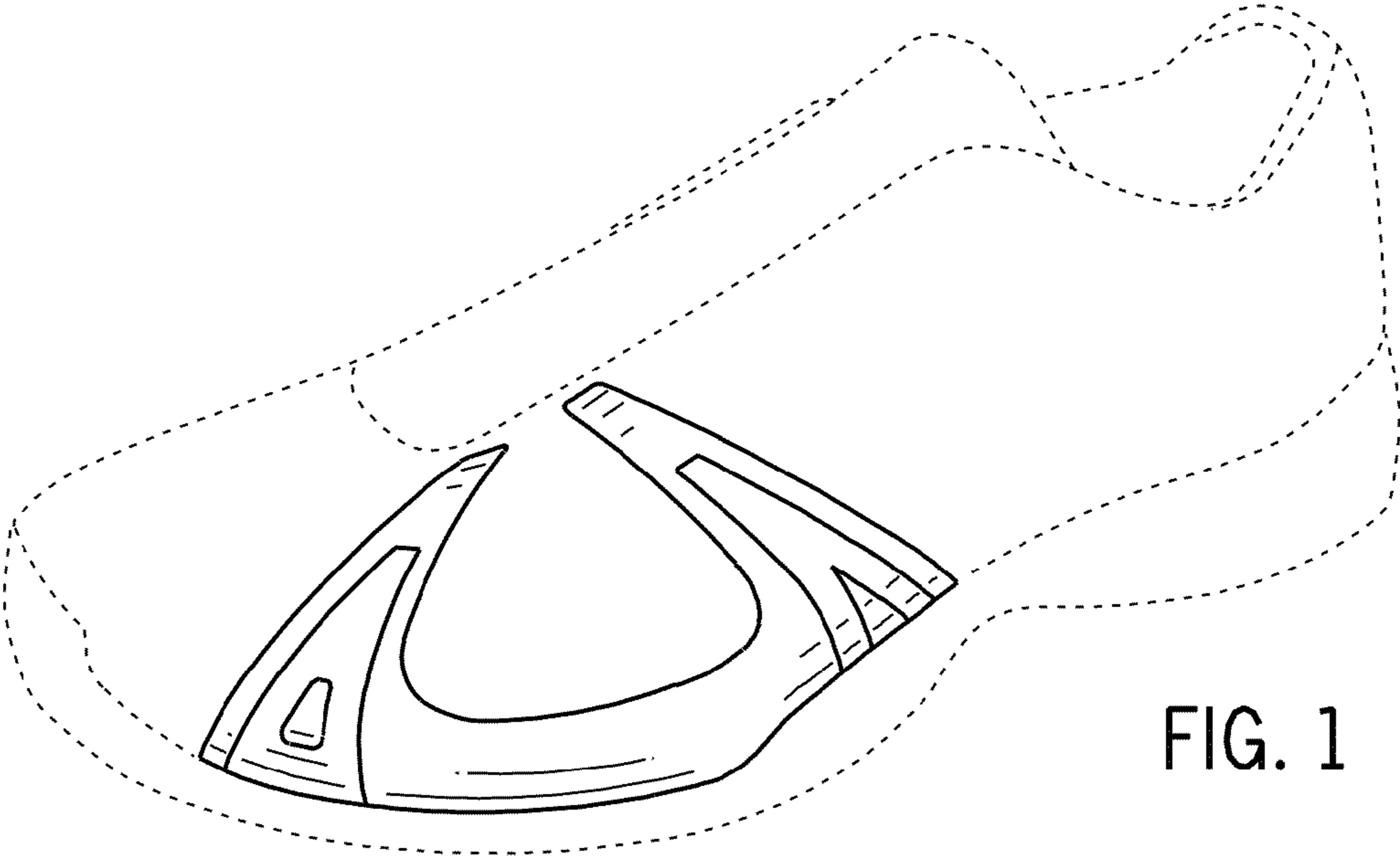


FIG. 1

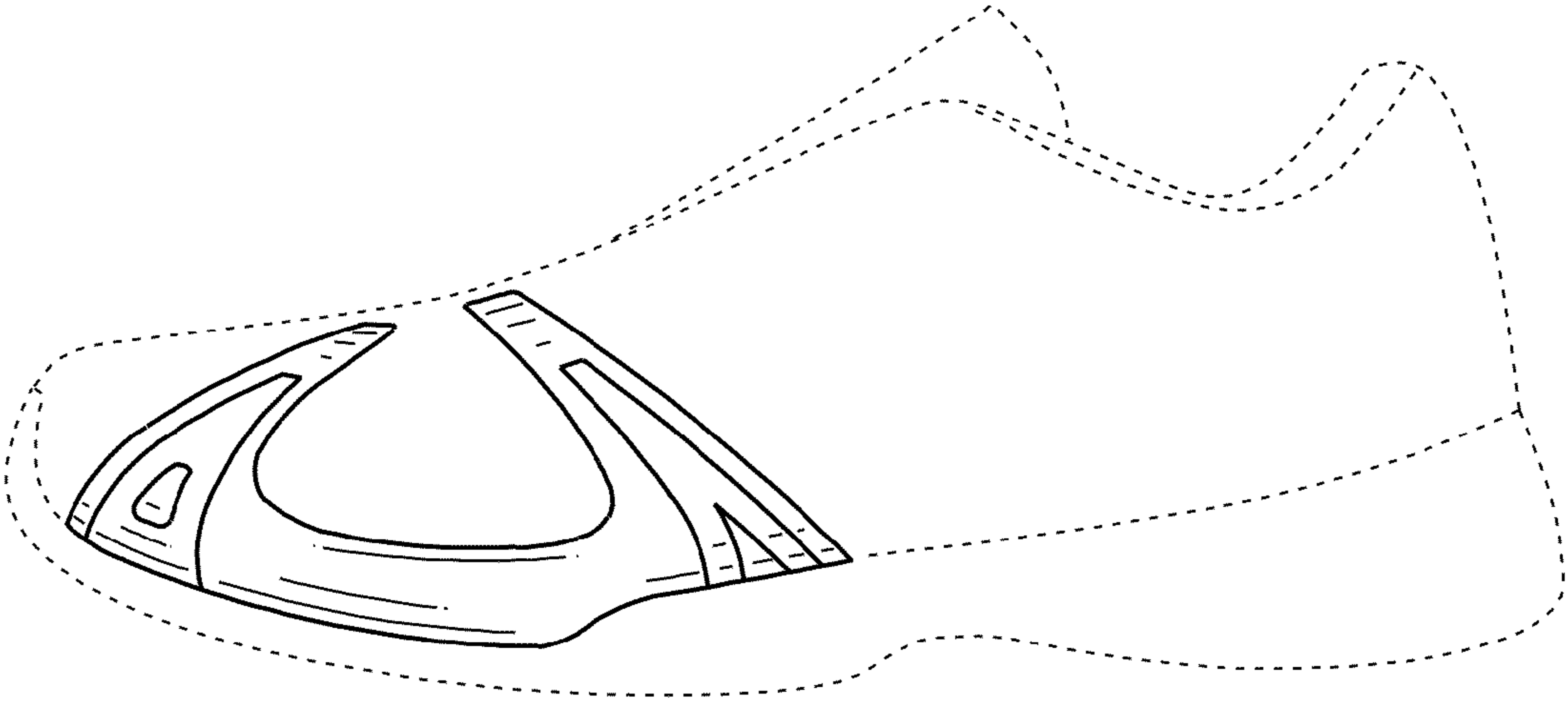


FIG. 2

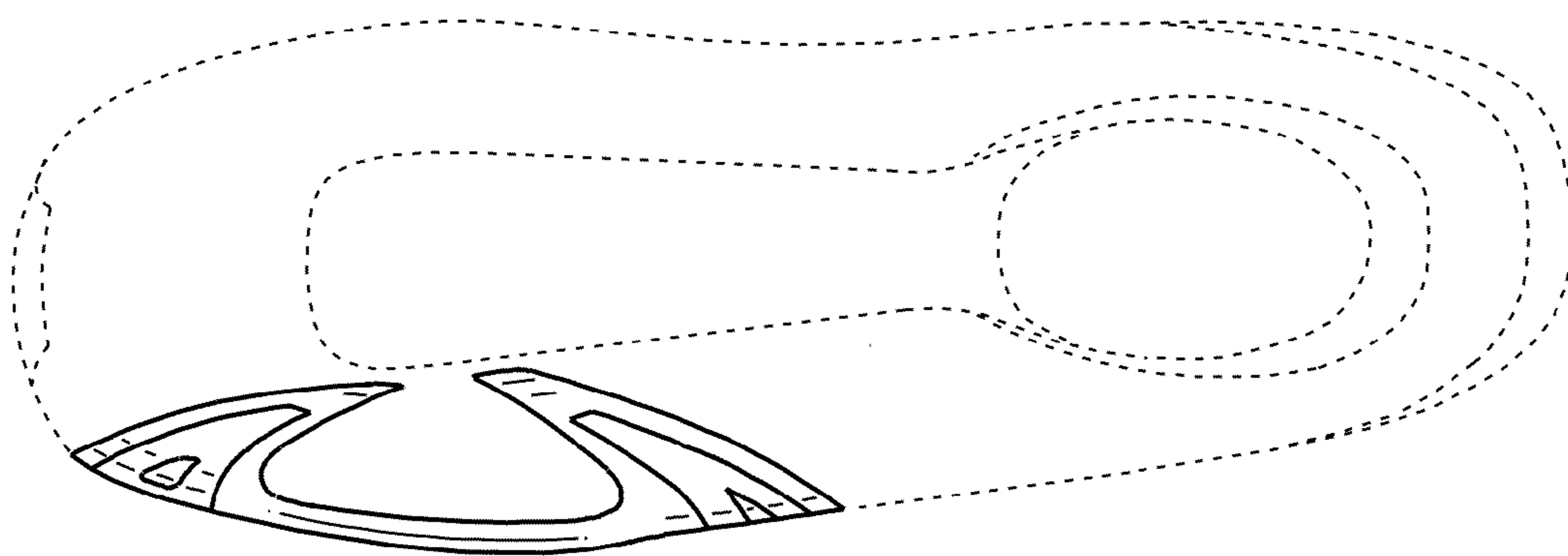


FIG. 3