



US00D725871S

(12) **United States Design Patent**
Maier

(10) **Patent No.:** **US D725,871 S**
(45) **Date of Patent:** **** Apr. 7, 2015**

(54) **BELT**

(71) Applicant: **Tomas Maier LLC**, Delray Beach, FL (US)

(72) Inventor: **Thomas Rudolf Maier**, New York, NY (US)

(73) Assignee: **Tomas Maier LLC**, Delray Beach, FL (US)

(**) Term: **14 Years**

(21) Appl. No.: **29/493,983**

(22) Filed: **Jun. 16, 2014**

(51) **LOC (10) Cl.** **02-07**

(52) **U.S. Cl.**
USPC **D2/631**

(58) **Field of Classification Search**
CPC A41F 9/002
USPC D2/624, 627-629, 631, 633, 636, 638, D2/639, 728, 853, 999; D3/215, 217, 318; D11/3, 38, 200, 212, 228, 230, 231; 2/44, 236, 300, 305, 310, 311, 312, 2/330, 337, 338, 908, 912, 913; 24/614-616, 625, 633; 59/78, 80-83; 63/3, 3.1, 3.2, 4, 5.1, 5.2

See application file for complete search history.

(56) **References Cited**

U.S. PATENT DOCUMENTS

D35,767	S	*	2/1902	Krause	D2/627
886,439	A	*	5/1908	Susseles	2/338
D45,580	S	*	4/1914	Ziegler	D2/627
1,361,983	A	*	12/1920	Greenwald	2/320
D72,432	S	*	4/1927	Leibovitz	D2/631
D175,630	S	*	9/1955	Nienaber	D11/3
3,858,244	A	*	1/1975	Mann	2/338
4,151,936	A	*	5/1979	Hawkes	224/676
6,067,661	A	*	5/2000	Bates	2/338
6,108,821	A	*	8/2000	Malsoute	2/321

OTHER PUBLICATIONS

Palm Beach Ribbon Designs. Brown Pink Palm Tree Belt. 2014 [online], [site visited Oct. 29, 2014]. Available from Internet, <URL:http://pbribbons.com/item_103/Brown-Pink-Palm-Tree-Belt.htm>.*

Ebay. Lilly Pulitzer Belt. Oct. 2014 [online], [site visited Oct. 29, 2014]. Available from Internet, <URL:http://www.ebay.com/itm/LILLY-PULITZER-BELT-BNWT-SIZE-L-D-RING-BLACK-PINK-PALM-TREE-EMBROIDERY-/271647537460?pt=US_Women_s_Belts&hash=item3f3f747934>.*

Ebay. Men's Belt Essex Navy Blue Canvas Green Palm Trees. Oct. 28, 2014 [online], [site visited Oct. 29, 2014]. Available from Internet, <URL:http://www.ebay.com/itm/like/131334121154?item=131334121154&lgeo=1&vectorid=229466>.*

(Continued)

Primary Examiner — Robert M Spear
Assistant Examiner — Darcey E Heflin

(74) *Attorney, Agent, or Firm* — Vorys, Sater, Seymour and Pease LLP; William L. Klima

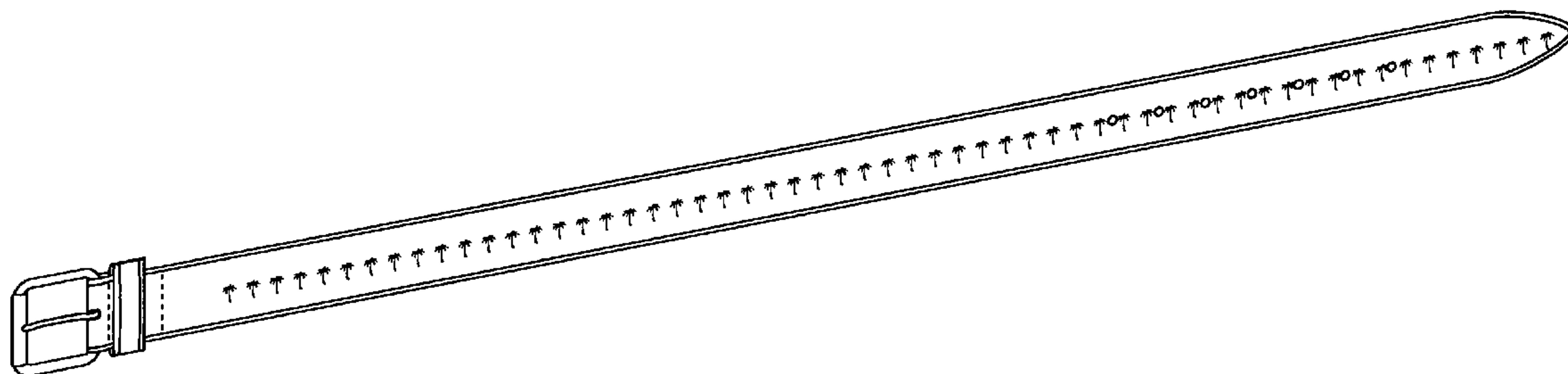
(57) **CLAIM**

The ornamental design for a belt, as shown and described.

DESCRIPTION

FIG. 1 is a front perspective view for a belt;
FIG. 2 is a front elevational view thereof;
FIG. 3 is a rear elevational view thereof;
FIG. 4 is a bottom planar view thereof, the top planar view is a mirror image thereof;
FIG. 5 is a left-side elevational view thereof;
FIG. 6 is a right-side elevational view thereof;
FIG. 7 is a front elevational view of the belt with ends connected together; and,
FIG. 8 is a rear elevational view of the belt with ends connected together.

1 Claim, 6 Drawing Sheets



(56)

References Cited

OTHER PUBLICATIONS

O'Connell's. Vineyard Vines Canvas Club Belt—Palm Tree & Beach Chair—Navy. Nov. 2, 2014 [online], [site visited Nov. 3, 2014]. Available from Internet, <URL: <http://www.oconnellsclothing.com/product.php?productid=21625>>.*

Vineyard Vines. Palm & Hammock Canvas Club Belt. Oct. 28, 2013 [online], [site visited Nov. 3, 2014]. Available from Internet,

<URL:<https://www.vineyardvines.com/mens-belts/palm-hammock-canvas-club-belt/1A0412.html>>.*

Ebay. J.Crew Ivory/White Palm Tree Belt. Nov. 1, 2014 [online], [site visited Nov. 3, 2014]. Available from Internet, <URL:http://www.ebay.com/itm/J-Crew-Ivory-White-Palm-Tree-Belt-100-Cotton-Womens-M-L-44-x-1-5-/201207996637?pt=US_Women_s_Belts&hash=item2ed8ee60dd>.*

* cited by examiner

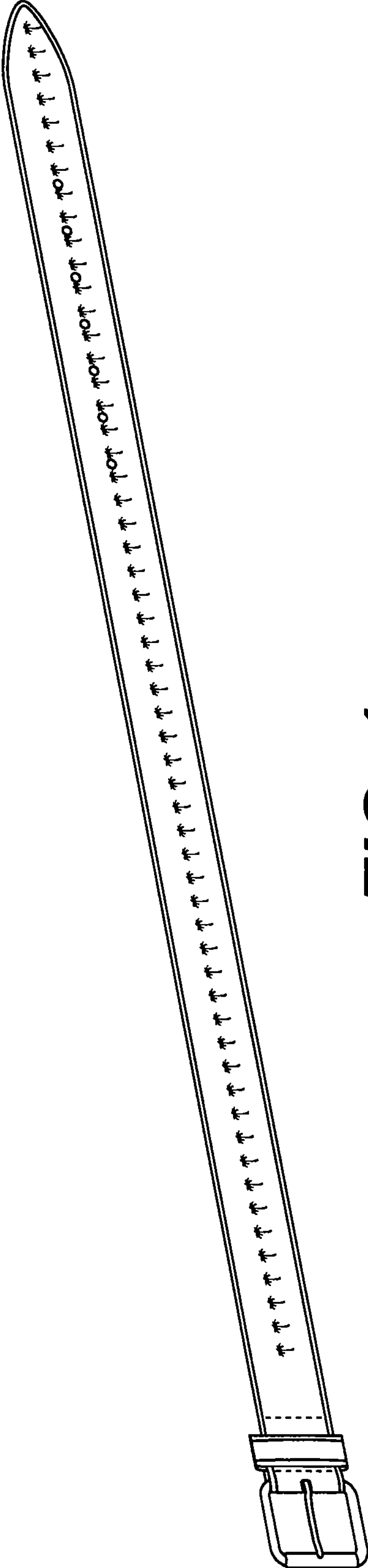


FIG. 1

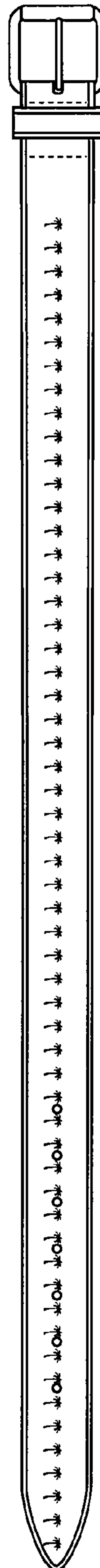


FIG. 2

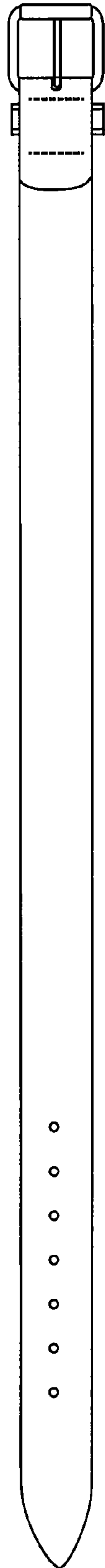


FIG. 3



FIG. 4



FIG. 5

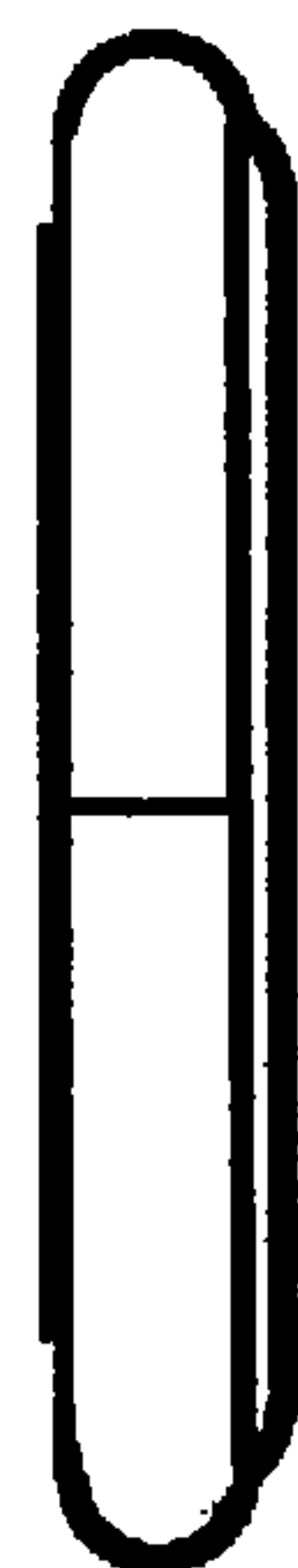


FIG. 6

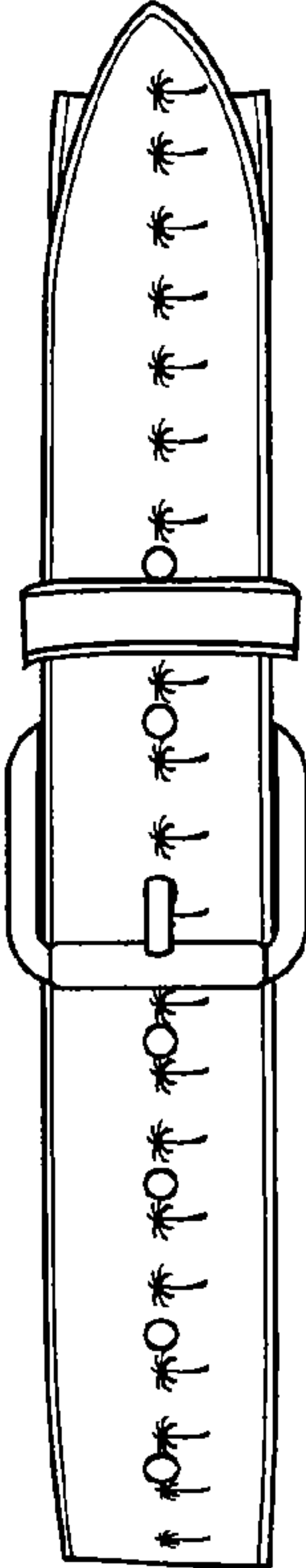


FIG. 7



FIG. 8