



US00D725864S

(12) **United States Design Patent**
Sonzogni

(10) **Patent No.:** **US D725,864 S**
(45) **Date of Patent:** **** Mar. 31, 2015**

(54) **BARREL**

(71) Applicant: **Pet Engineering & Services S.R.L.**,
Grassobbio (Bergamo) (IT)

(72) Inventor: **Sergio Sonzogni**, Grassobbio (IT)

(73) Assignee: **Pet Engineering & Services S.R.L.**,
Grassobbio (Bergamo) (IT)

(**) Term: **14 Years**

(21) Appl. No.: **29/481,369**

(22) Filed: **Feb. 5, 2014**

(30) **Foreign Application Priority Data**

Aug. 5, 2013 (EM) 002286450-001

(51) **LOC (10) Cl.** **09-02**

(52) **U.S. Cl.**
USPC **D34/39**

(58) **Field of Classification Search**

CPC B65D 1/20; B65D 1/12; B65D 1/16;
B65D 1/40; B65D 39/084; B65D 39/088
USPC D34/39; 220/672, 601, 669, 661,
220/DIG. 1, 675; D23/202, 205, 217, 71,
D23/72, 74, 76

See application file for complete search history.

(56) **References Cited**

U.S. PATENT DOCUMENTS

2,043,183	A *	6/1936	Mauser	220/592.19
D188,822	S *	9/1960	Wareham	D34/39
3,170,586	A *	2/1965	Bulgrin	220/4.04
5,579,912	A *	12/1996	Yamamoto	206/509
D568,025	S *	4/2008	Schutz	D34/39
D574,574	S *	8/2008	Bax	D34/39
D635,322	S *	3/2011	Knighton	D34/39
2009/0218358	A1 *	9/2009	Schutz	220/601
2010/0072212	A1 *	3/2010	Howard et al.	220/600
2013/0256180	A1 *	10/2013	Smith et al.	206/509

* cited by examiner

Primary Examiner — Cynthia Ramirez

(74) *Attorney, Agent, or Firm* — King & Schickli, PLLC

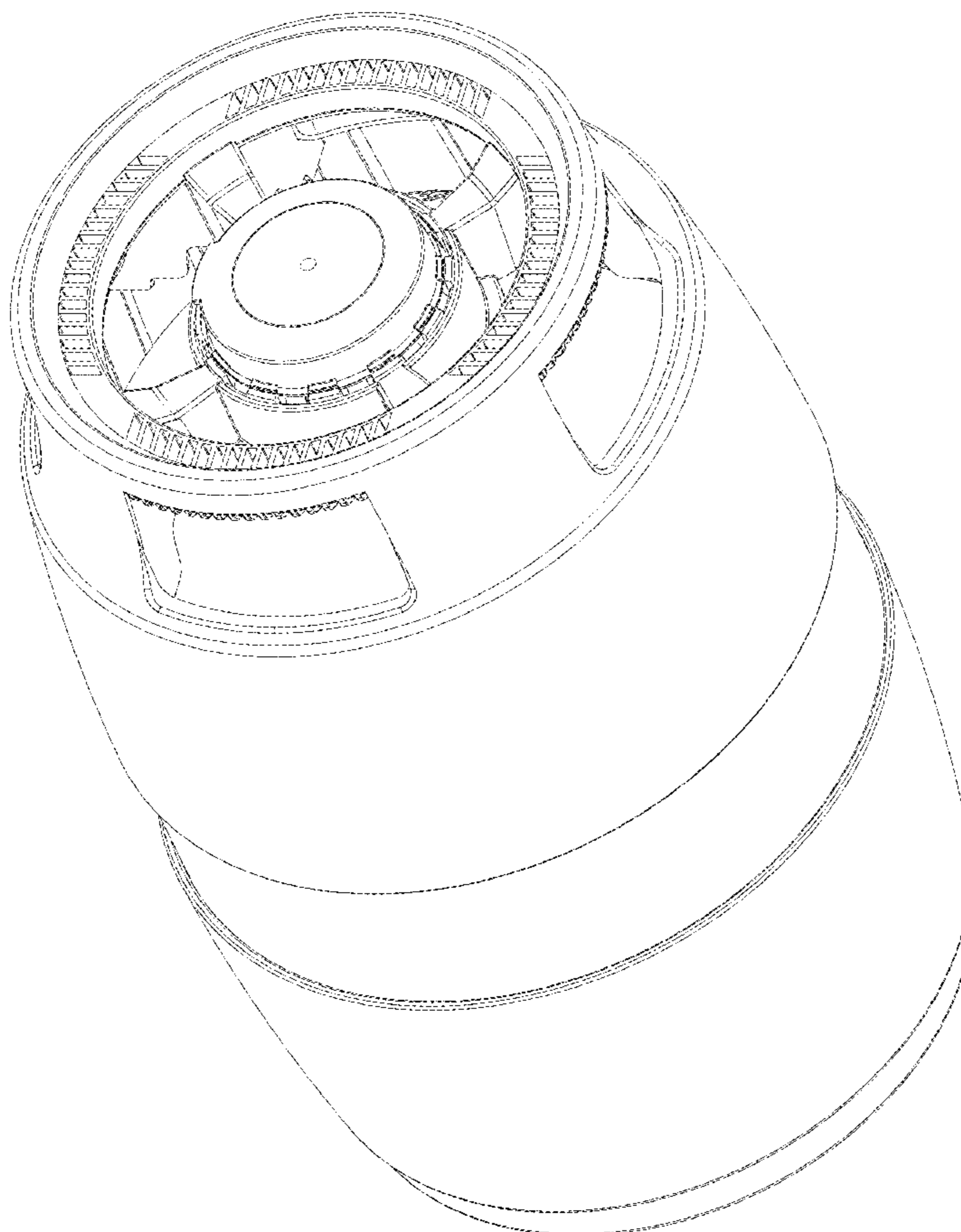
(57) **CLAIM**

The ornamental design for a barrel, as shown and described.

DESCRIPTION

FIG. 1 is a top perspective view of the barrel;
FIG. 2 is a first side elevation view of the barrel;
FIG. 3 is a second side elevation view of the barrel; and,
FIG. 4 is a top plan view of the barrel.

1 Claim, 4 Drawing Sheets



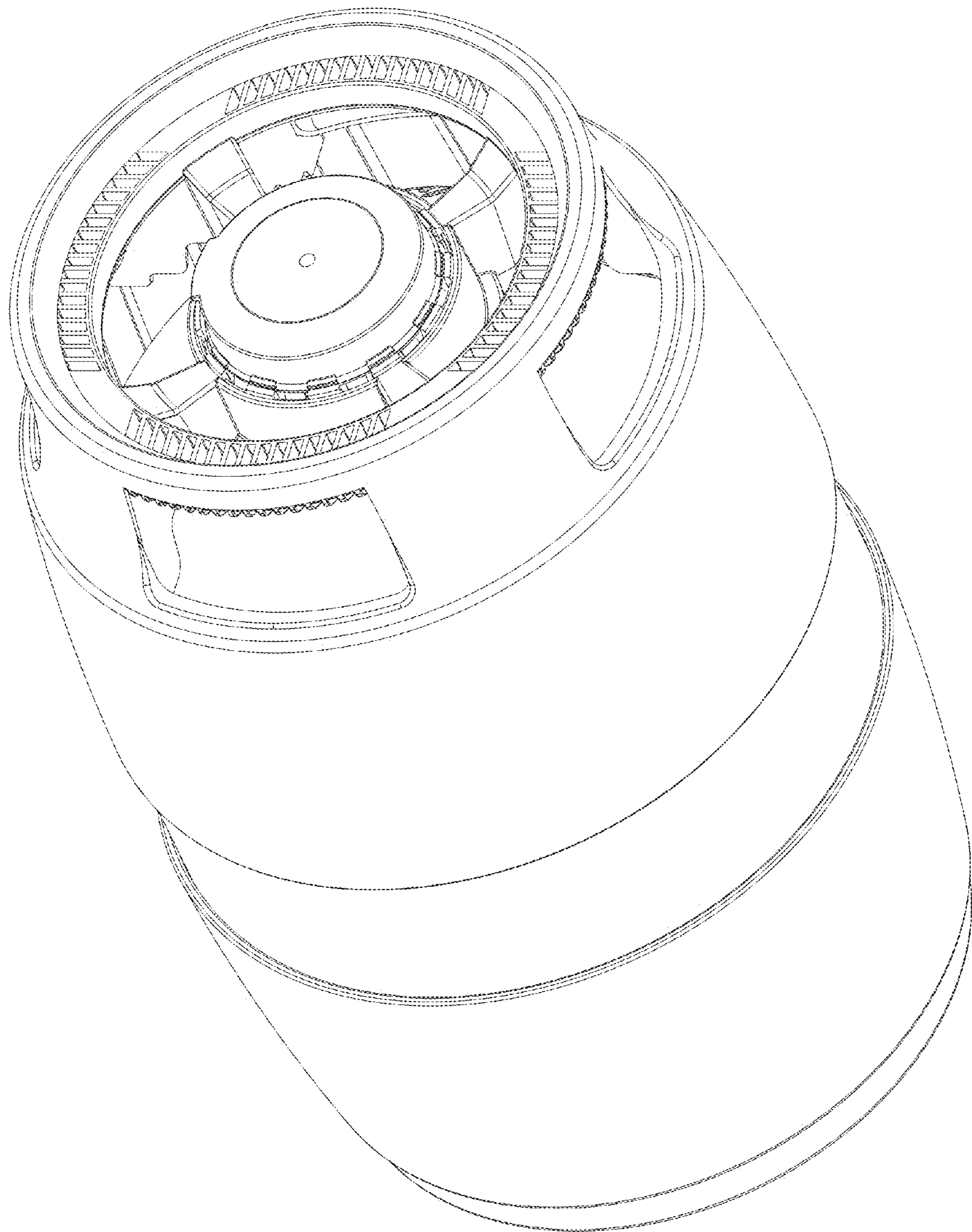


Fig. 1

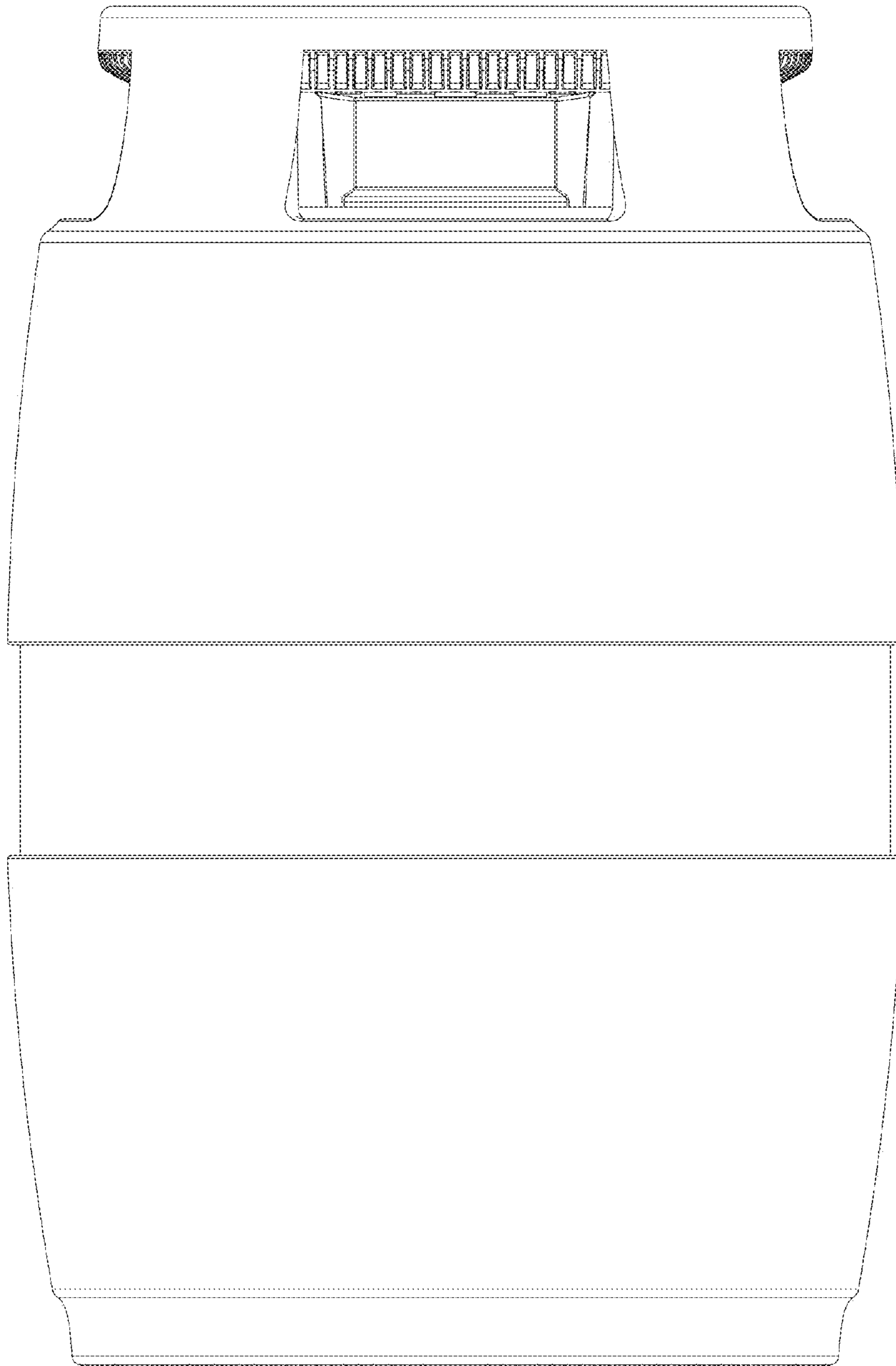


Fig. 2

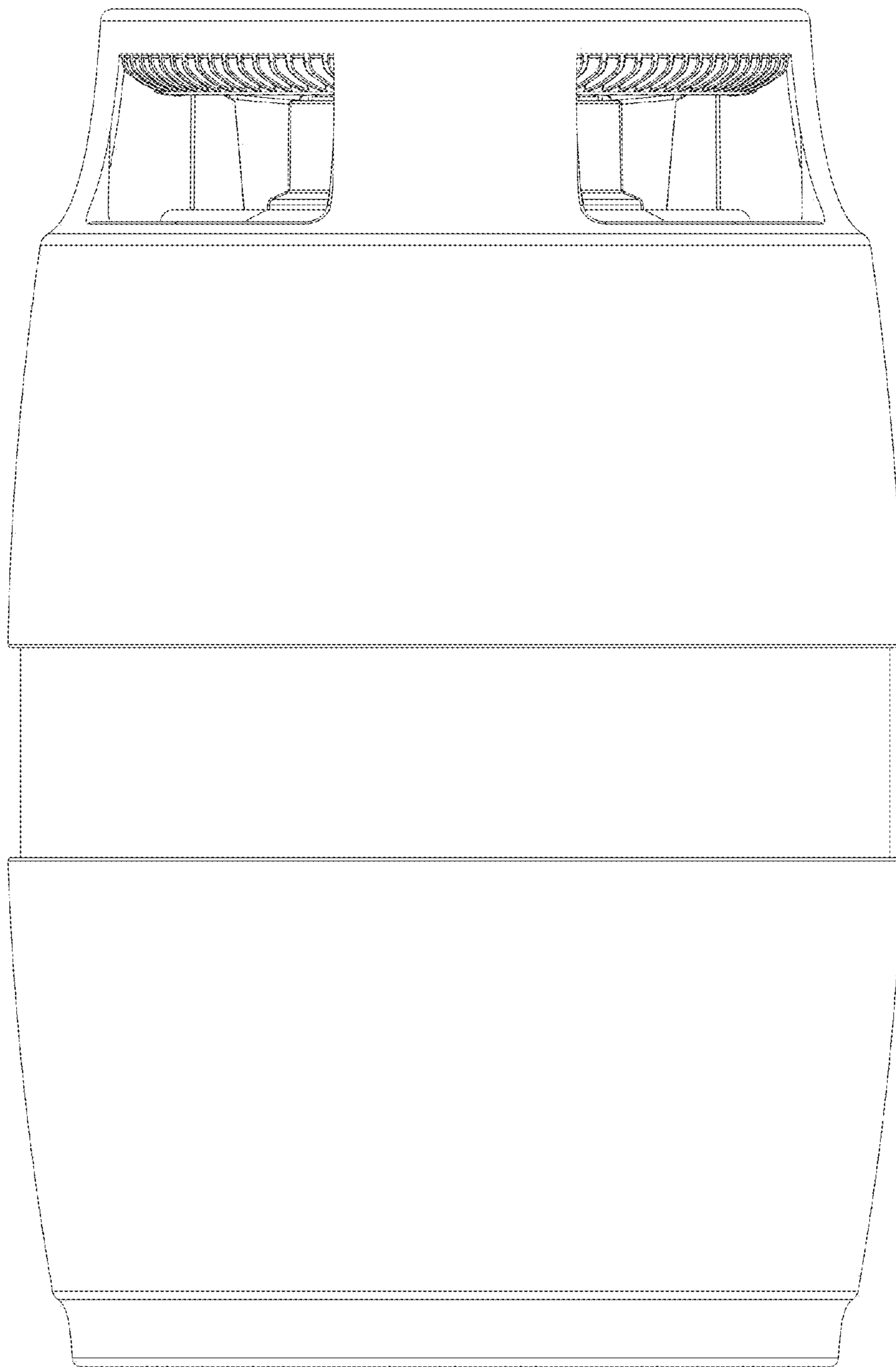


Fig. 3

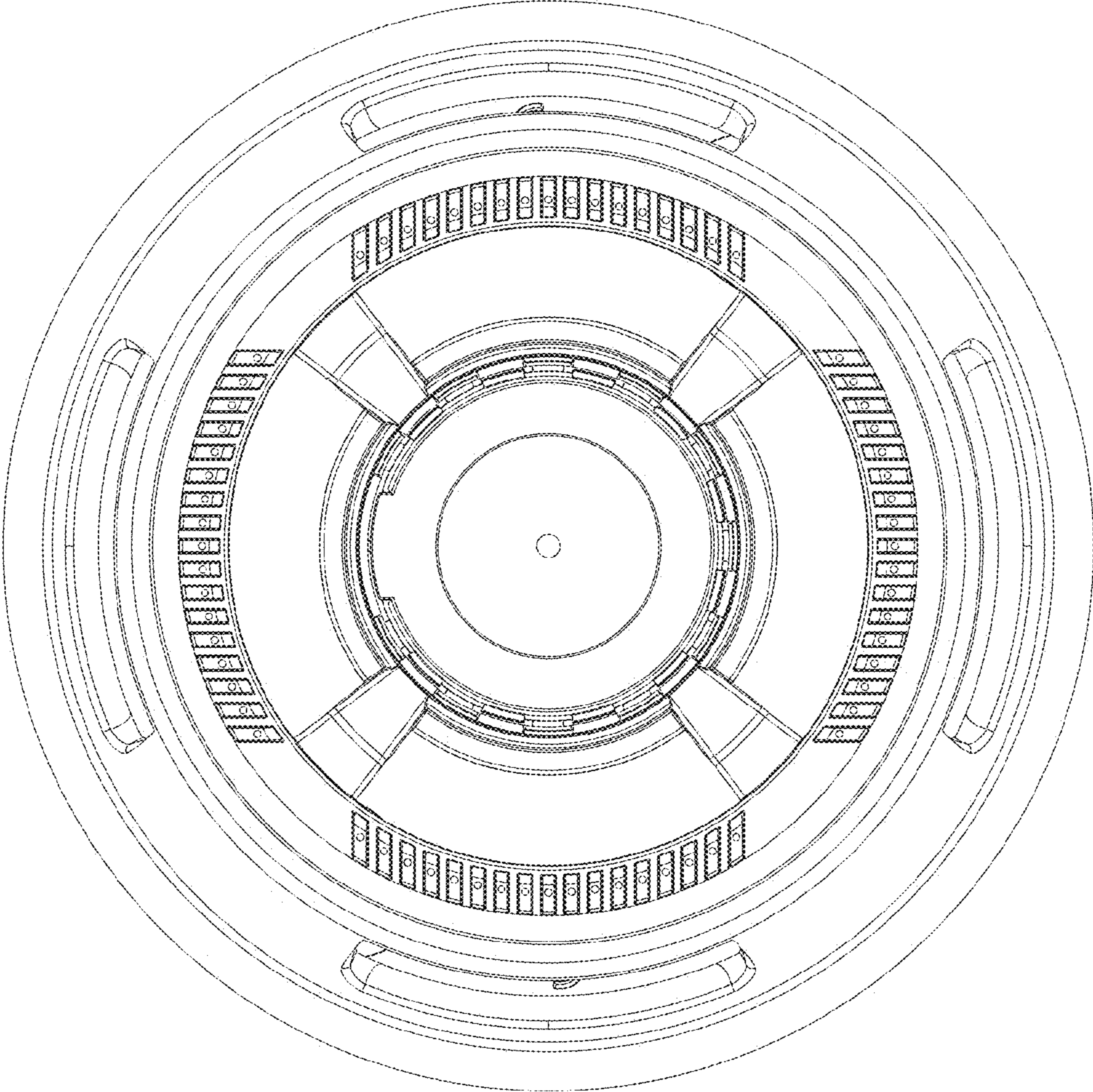


Fig. 4