



US00D725863S

(12) **United States Design Patent**
Kazaoka et al.

(10) **Patent No.:** **US D725,863 S**
(45) **Date of Patent:** **** Mar. 31, 2015**

(54) **FORKLIFT TRUCK**
(71) Applicant: **Mitsubishi Nichiyu Forklift Co., Ltd.**,
Kyoto (JP)
(72) Inventors: **Naoki Kazaoka**, Tokyo (JP); **Hidehiko Makida**,
Kyoto (JP); **Shigeyuki Terada**, Tokyo (JP)
(73) Assignee: **Mitsubishi Nichiyu Forklift Co., Ltd.**,
Kyoto (JP)

D571,073 S * 6/2008 Buchmann et al. D34/35
D578,271 S * 10/2008 Mori et al. D34/34
D579,170 S * 10/2008 Mori et al. D34/35
D579,171 S * 10/2008 Mori et al. D34/35
D579,620 S * 10/2008 Mori et al. D34/34
D651,783 S * 1/2012 Shibata et al. D34/35
D657,111 S * 4/2012 Shibata et al.
D681,902 S * 5/2013 Hiraoka et al. D34/34
D703,908 S * 4/2014 Hiraoka et al. D34/34

(**) Term: **14 Years**

(21) Appl. No.: **29/481,645**

(22) Filed: **Feb. 7, 2014**

(30) **Foreign Application Priority Data**

Nov. 6, 2013 (JP) 2013-025908

(51) **LOC (10) Cl.** **12-05**

(52) **U.S. Cl.**
USPC **D34/34**

(58) **Field of Classification Search**
USPC D34/34; 180/89.12, 89.13, 89.17;
187/222, 237, 238, 414
See application file for complete search history.

(56) **References Cited**

U.S. PATENT DOCUMENTS

D393,134 S * 3/1998 Mariano D34/34
D557,474 S * 12/2007 Kouyama et al. D34/34

FOREIGN PATENT DOCUMENTS

JP D1253250 S 10/2005

* cited by examiner

Primary Examiner — Cynthia Ramirez

(74) *Attorney, Agent, or Firm* — Muncy, Geissler, Olds & Lowe, P.C.

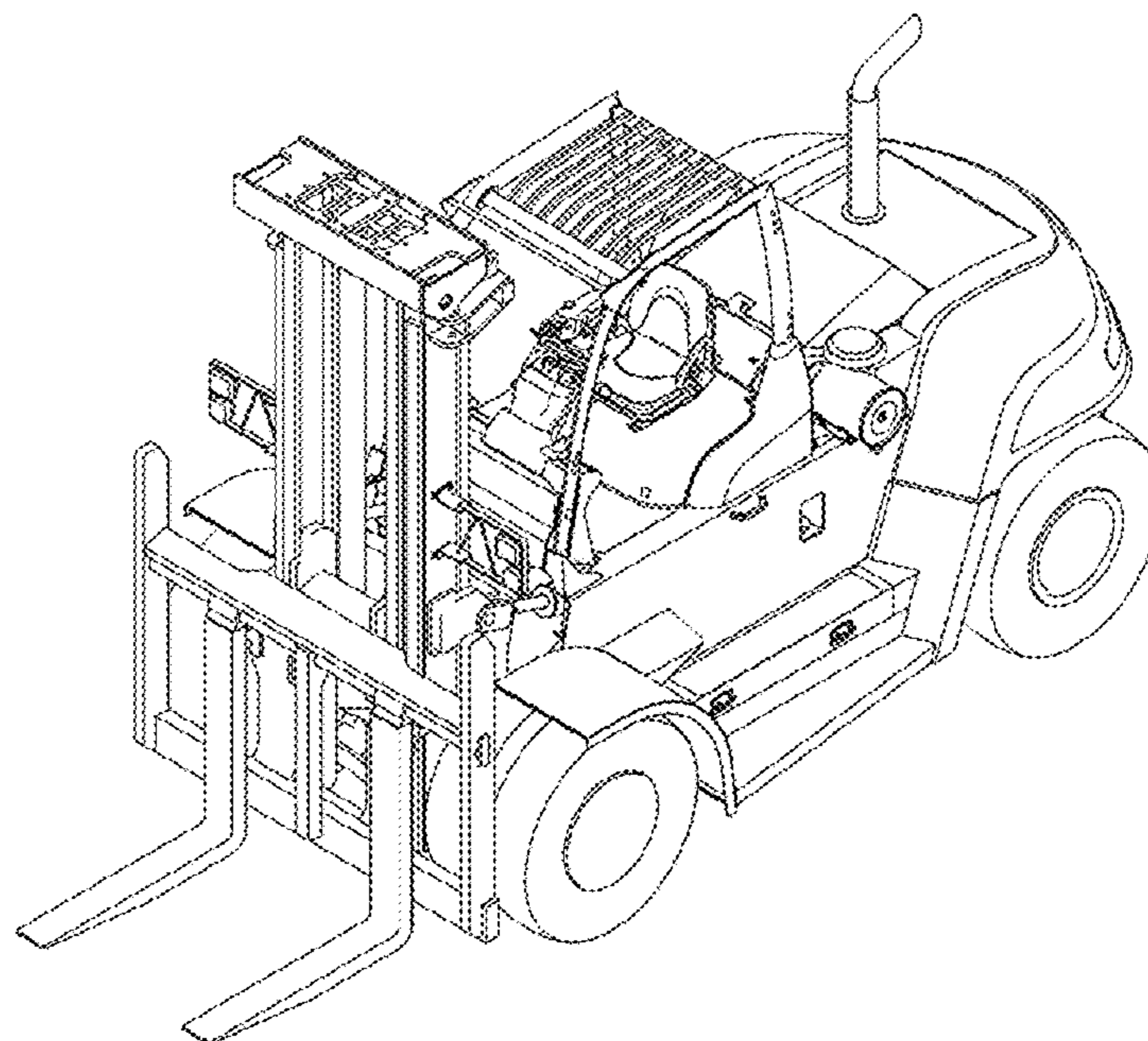
(57) **CLAIM**

The ornamental design for a forklift truck, as shown and described.

DESCRIPTION

FIG. 1 is a front perspective view of a forklift truck according to the present invention;
FIG. 2 is a rear perspective view of the forklift truck of FIG. 1;
FIG. 3 is a left side view of the forklift truck of FIG. 1;
FIG. 4 is a right side view of the forklift truck of FIG. 1;
FIG. 5 is a rear view of the forklift truck of FIG. 1;
FIG. 6 is a front view of the forklift truck of FIG. 1; and,
FIG. 7 is a top view of the forklift truck of FIG. 1.

1 Claim, 7 Drawing Sheets



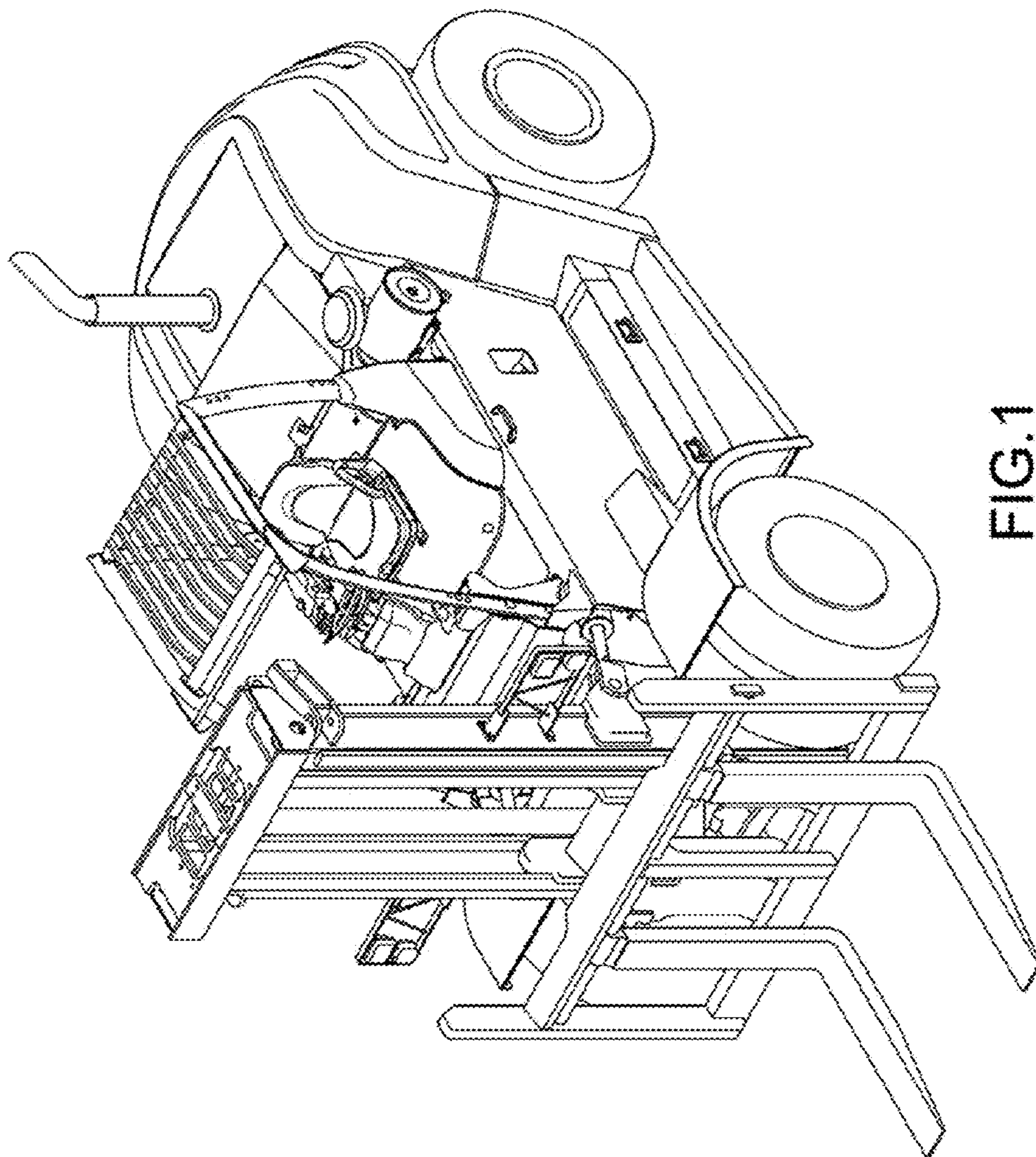


FIG.1

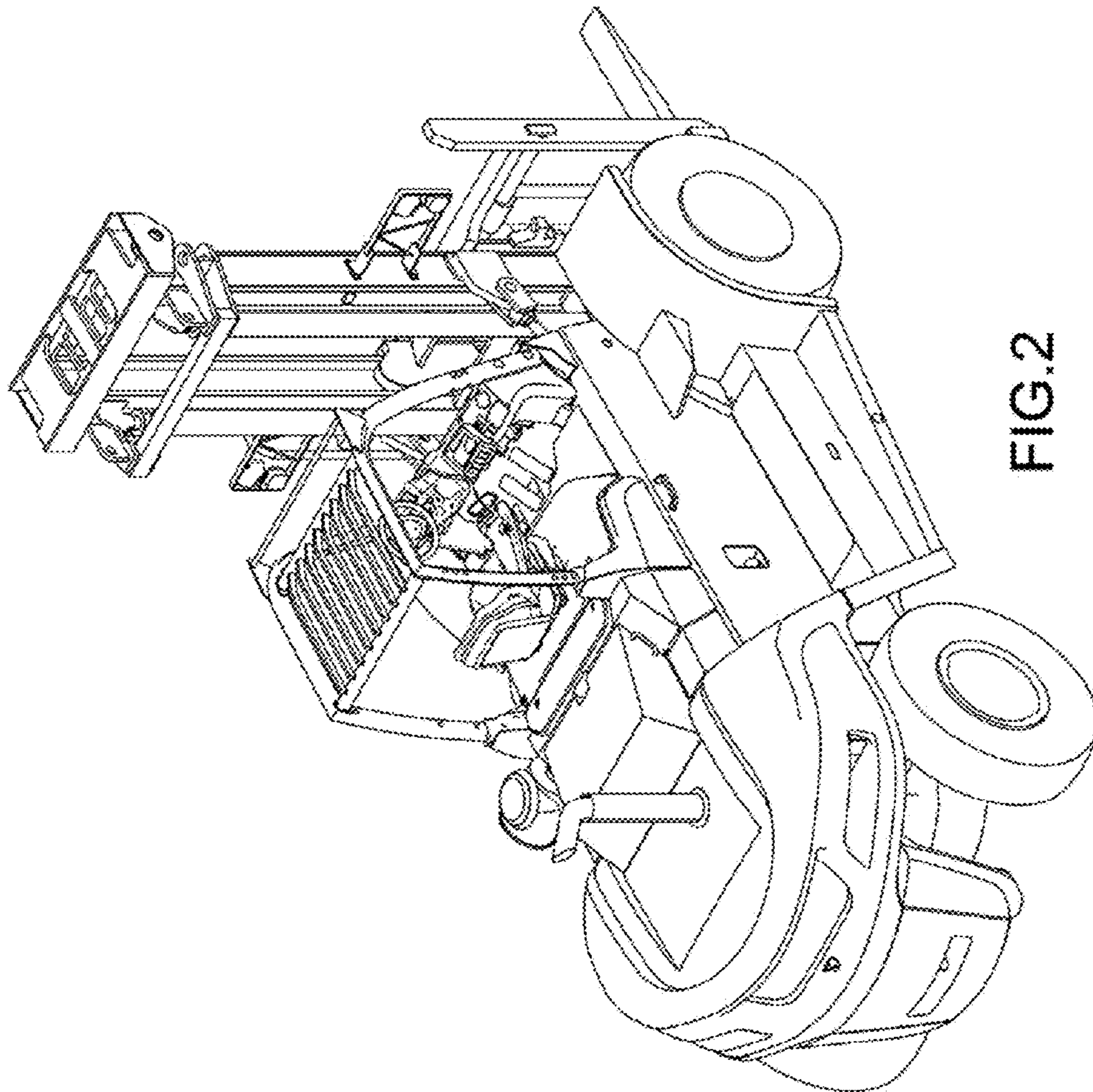


FIG.2

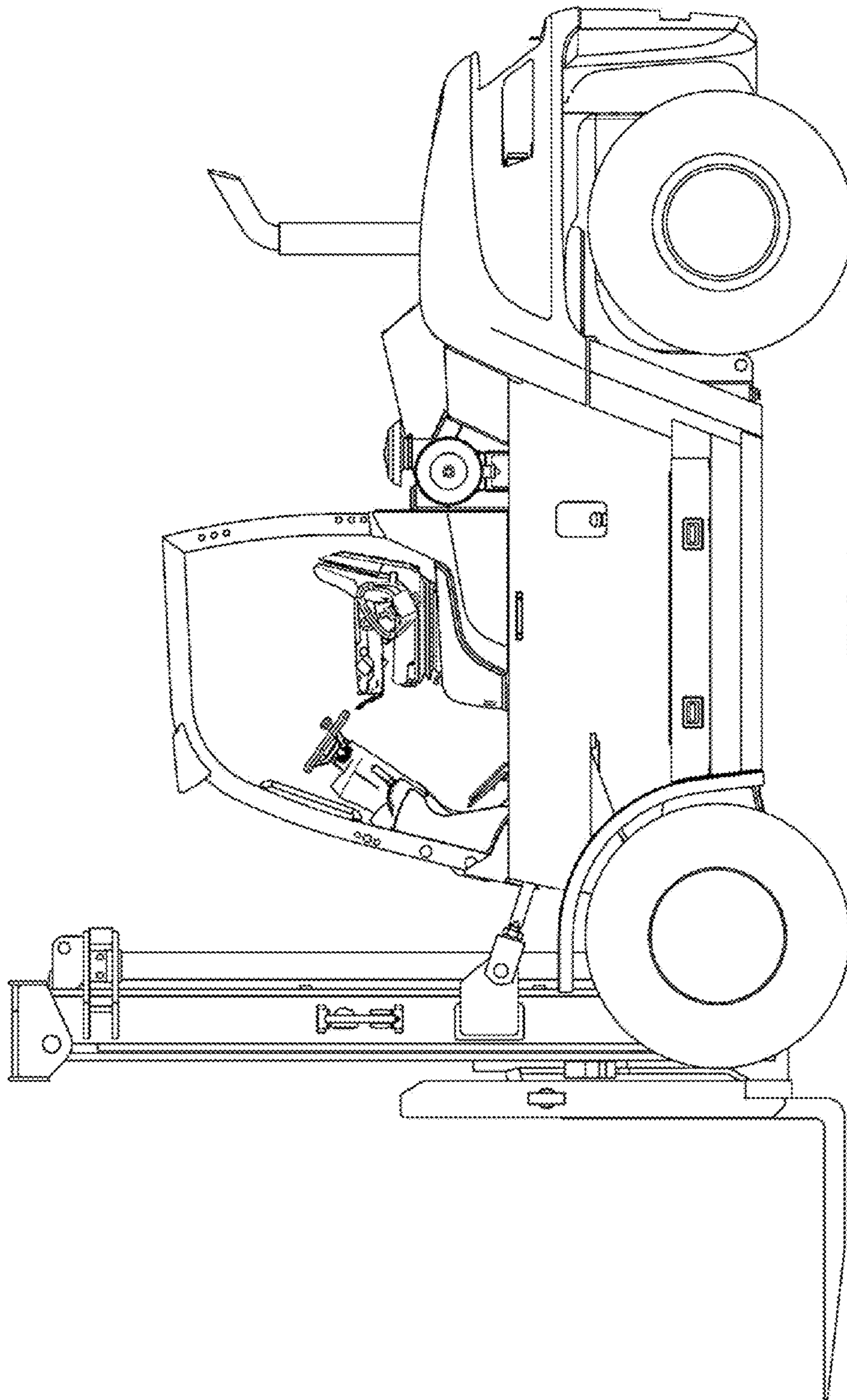


FIG.3

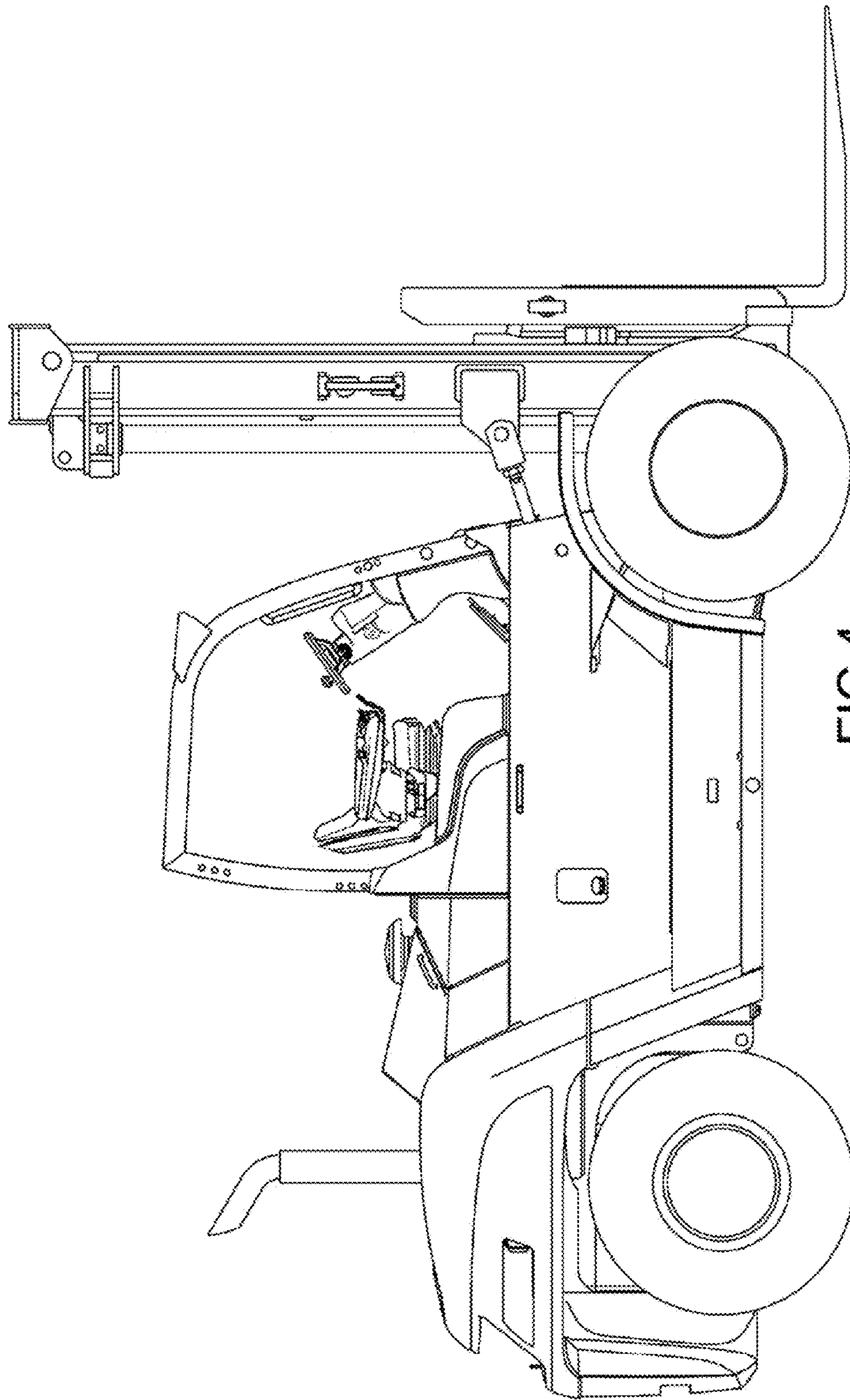


FIG.4

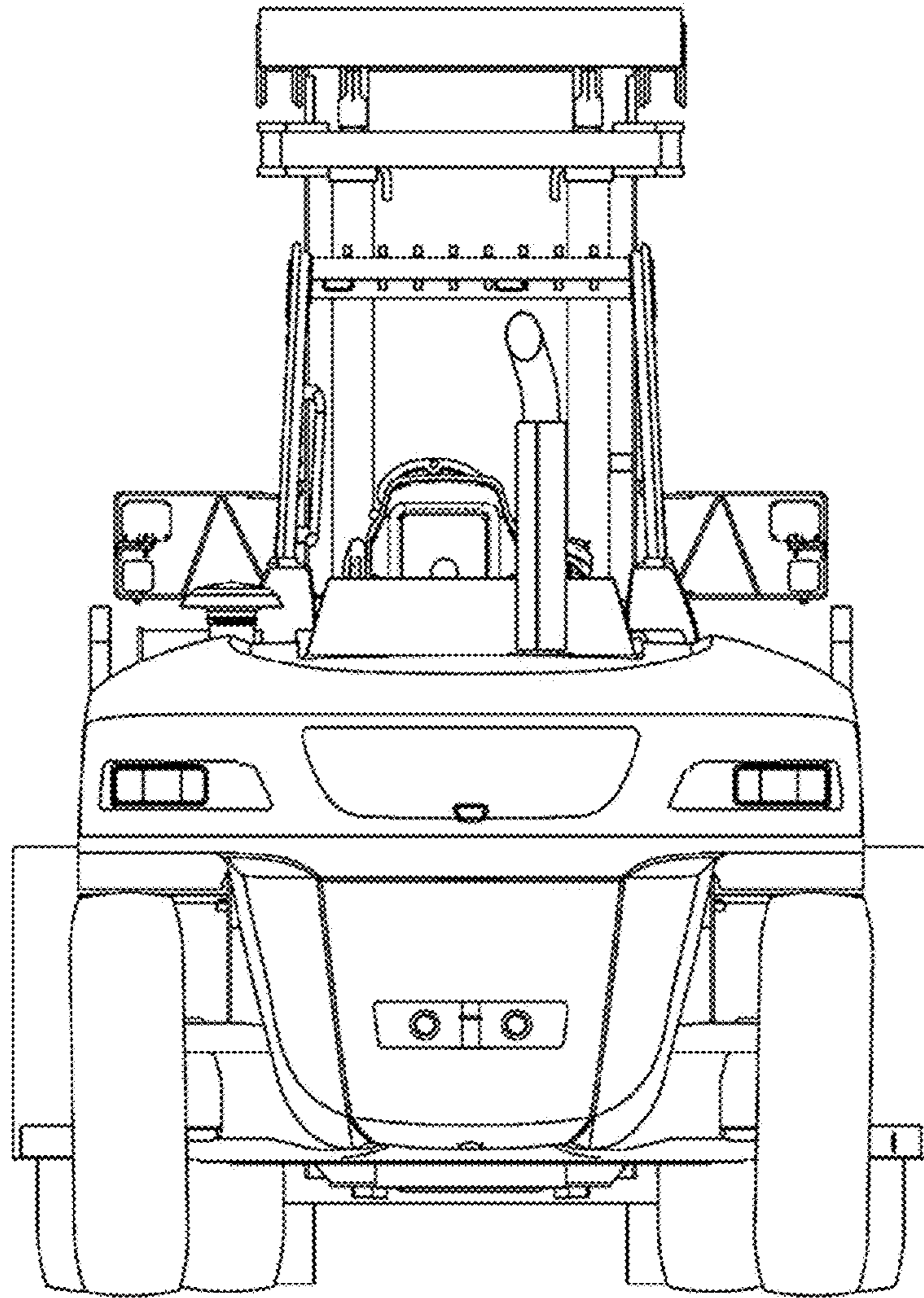


FIG.5

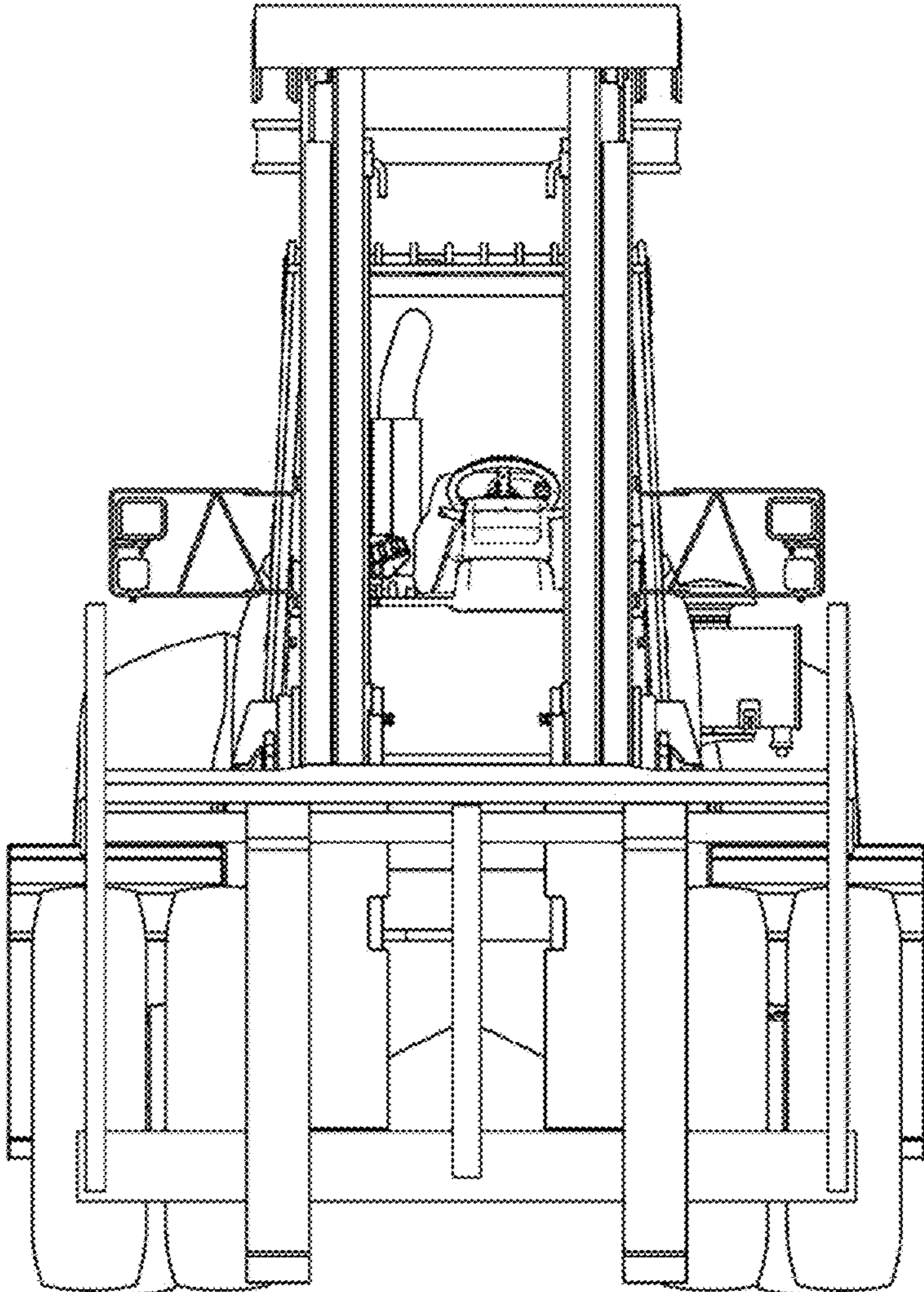


FIG.6

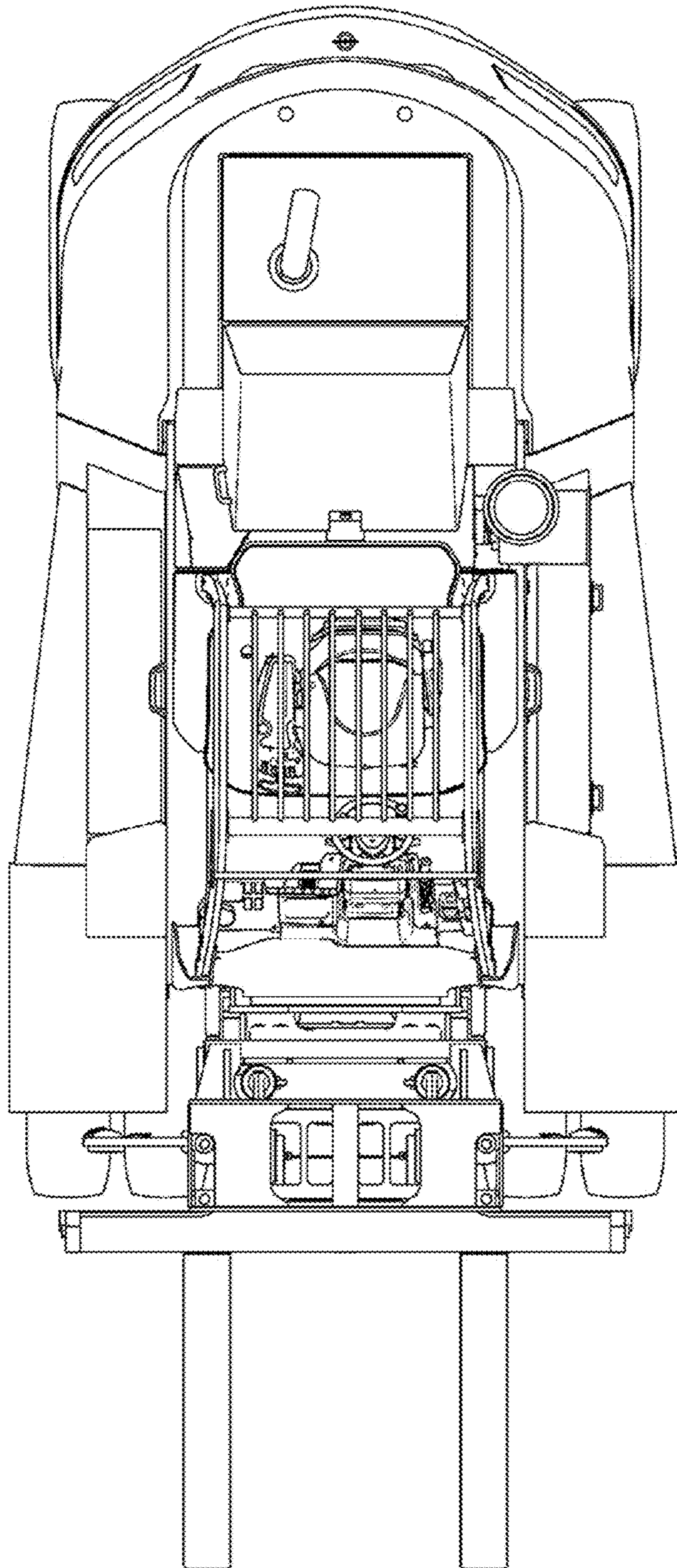


FIG.7