



US00D725862S

(12) **United States Design Patent**
Tuncel

(10) **Patent No.:** **US D725,862 S**
(45) **Date of Patent:** **** Mar. 31, 2015**

- (54) **HOUSEKEEPING CART**
- (71) Applicant: **Levent Tuncel**, Marietta, GA (US)
- (72) Inventor: **Levent Tuncel**, Marietta, GA (US)
- (**) Term: **14 Years**
- (21) Appl. No.: **29/451,219**
- (22) Filed: **Mar. 28, 2013**
- (51) **LOC (10) Cl.** **12-02**
- (52) **U.S. Cl.**
USPC **D34/12**
- (58) **Field of Classification Search**
CPC B62B 1/00; B62B 7/00; B62B 2005/00;
B62B 2202/00
USPC D34/12, 14, 17, 19, 20, 21, 25, 26, 27;
280/30, 5.32, 651; 312/249.12
See application file for complete search history.

D370,328	S	*	5/1996	Mathews et al.	D34/19
D391,032	S	*	2/1998	Delmerico	D34/21
D393,553	S	*	4/1998	Beggs	D6/476
D406,431	S	*	3/1999	Tisbo et al.	D34/20
D410,127	S	*	5/1999	Colomban	D34/21
D411,044	S	*	6/1999	Maddux et al.	D34/20
D440,369	S	*	4/2001	LaFollette et al.	D34/19
D442,756	S	*	5/2001	Jarvis et al.	D34/19
D450,903	S	*	11/2001	Wacker et al.	D34/20
D468,881	S	*	1/2003	Cox	D34/19
D487,604	S	*	3/2004	Van Landingham, Jr.	D34/12
D527,158	S	*	8/2006	Steinmeyer	D34/17
D555,870	S	*	11/2007	Zorzo	D34/14
D556,416	S	*	11/2007	Zorzo	D34/19
D557,870	S	*	12/2007	MacMillan	D34/14
7,306,243	B2	*	12/2007	Van Horn et al.	280/30
D559,496	S	*	1/2008	Zorzo	D34/17
D572,424	S	*	7/2008	Presnell et al.	D34/14
7,398,978	B2	*	7/2008	Cheung	280/42
D588,322	S	*	3/2009	Tilk et al.	D34/20
D591,021	S	*	4/2009	Peacock	D34/17
D604,022	S	*	11/2009	Abel et al.	D34/17

(Continued)

Primary Examiner — Cynthia Ramirez

Assistant Examiner — Gino Colan

(56) **References Cited**

U.S. PATENT DOCUMENTS

D179,687	S	*	2/1957	Johnson	D34/19
D205,523	S	*	8/1966	Doman	D34/19
D214,163	S	*	5/1969	Smith	D34/19
D230,257	S	*	2/1974	Corini	D34/19
D242,908	S	*	1/1977	Seider et al.	D34/14
D273,906	S	*	5/1984	Norlin	D34/19
D281,363	S	*	11/1985	Carvel	D34/20
D303,307	S	*	9/1989	Juergens	D34/19
5,016,948	A	*	5/1991	Welch et al.	312/249.12
D320,683	S	*	10/1991	Welch	D34/19
D323,915	S	*	2/1992	Welch	D34/21
D354,597	S	*	1/1995	Crane	D34/21
D361,187	S	*	8/1995	Snell	D34/21
D361,419	S	*	8/1995	Snell	D34/21
D361,422	S	*	8/1995	Coates	D34/27
D361,643	S	*	8/1995	Snell	D34/21
D361,910	S	*	9/1995	Maple et al.	D6/445
D362,101	S	*	9/1995	Maddux et al.	D34/20
D367,349	S	*	2/1996	Insalaco et al.	D34/19

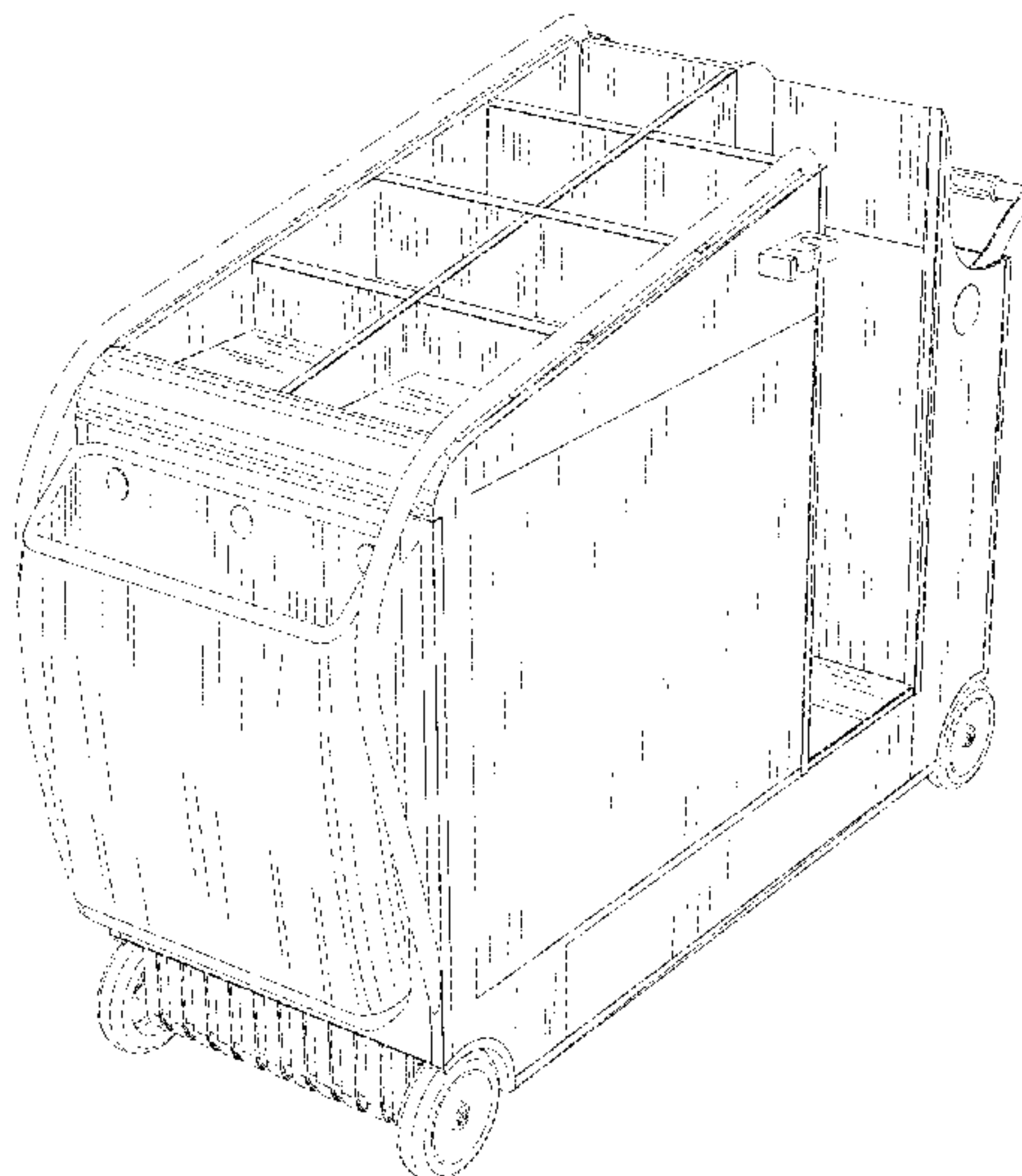
(57) **CLAIM**

The ornamental design for a housekeeping cart, as shown and described.

DESCRIPTION

FIG. 1 is a perspective view of a housekeeping cart;
 FIG. 2 is a front view thereof;
 FIG. 3 is a rear view thereof;
 FIG. 4 is a right view thereof;
 FIG. 5 is a left view thereof;
 FIG. 6 is a top view thereof; and,
 FIG. 7 is a bottom plan view thereof.
 The broken lines shown in FIG. 5 are for the purpose of illustrating portions of the housekeeping cart and form no part of the claimed design.

1 Claim, 7 Drawing Sheets



(56)

References Cited

U.S. PATENT DOCUMENTS

D624,724 S *	9/2010	Uhl et al.	D34/17	D697,284 S *	1/2014	Ho et al.	D34/12
D637,373 S *	5/2011	Benning et al.	D34/19	D697,685 S *	1/2014	Maddux	D34/19
D661,043 S *	5/2012	Brands	D34/19	D703,903 S *	4/2014	Tuncel	D34/14
D673,751 S *	1/2013	Freimuth et al.	D34/12	D703,904 S *	4/2014	Knoll et al.	D34/20
				D707,912 S *	6/2014	Koehler et al.	D34/19
				D711,613 S *	8/2014	Brenner	D34/14
				2009/0200902 A1 *	8/2009	Mckay et al.	312/249.12

* cited by examiner

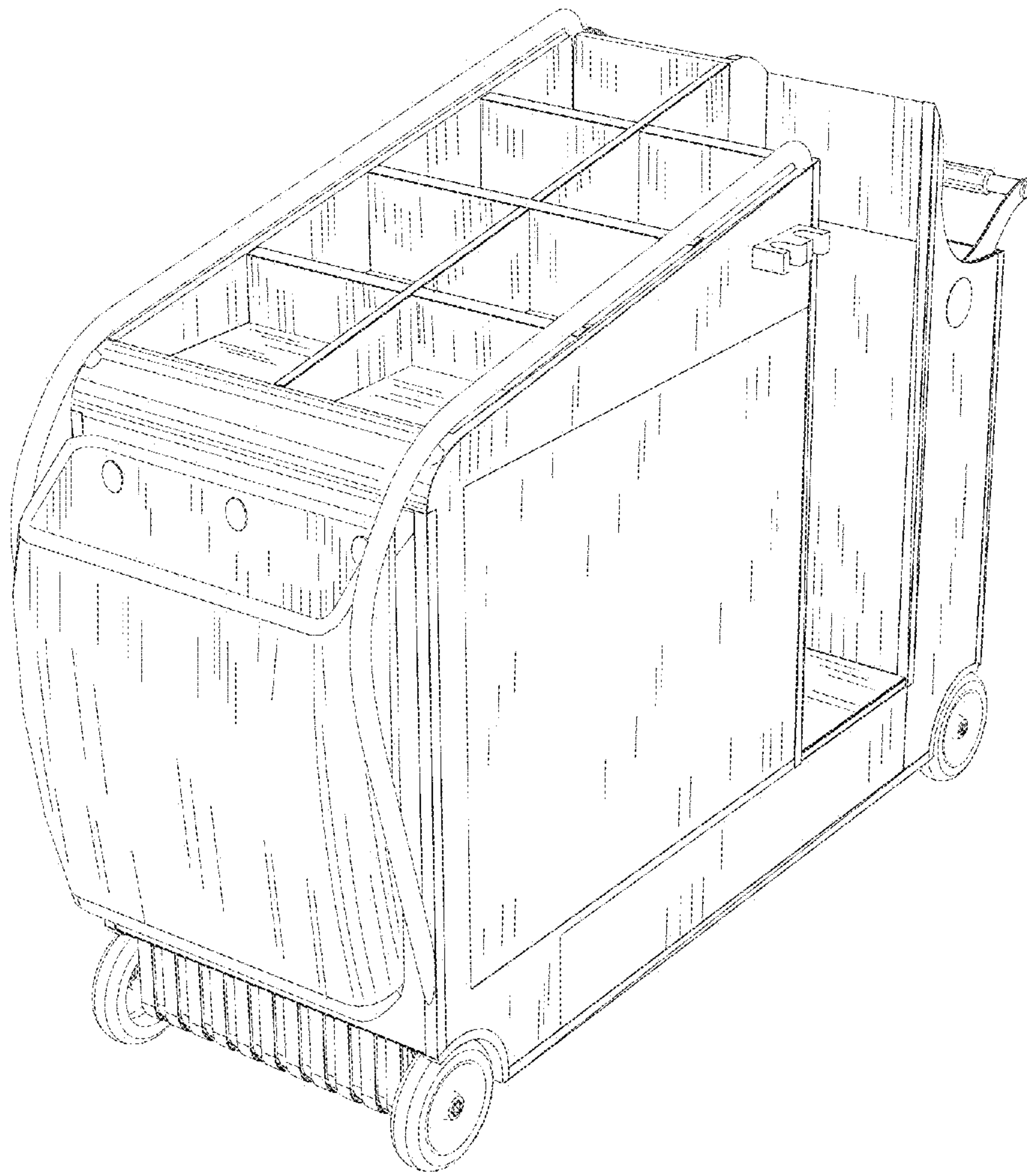


FIG. 1

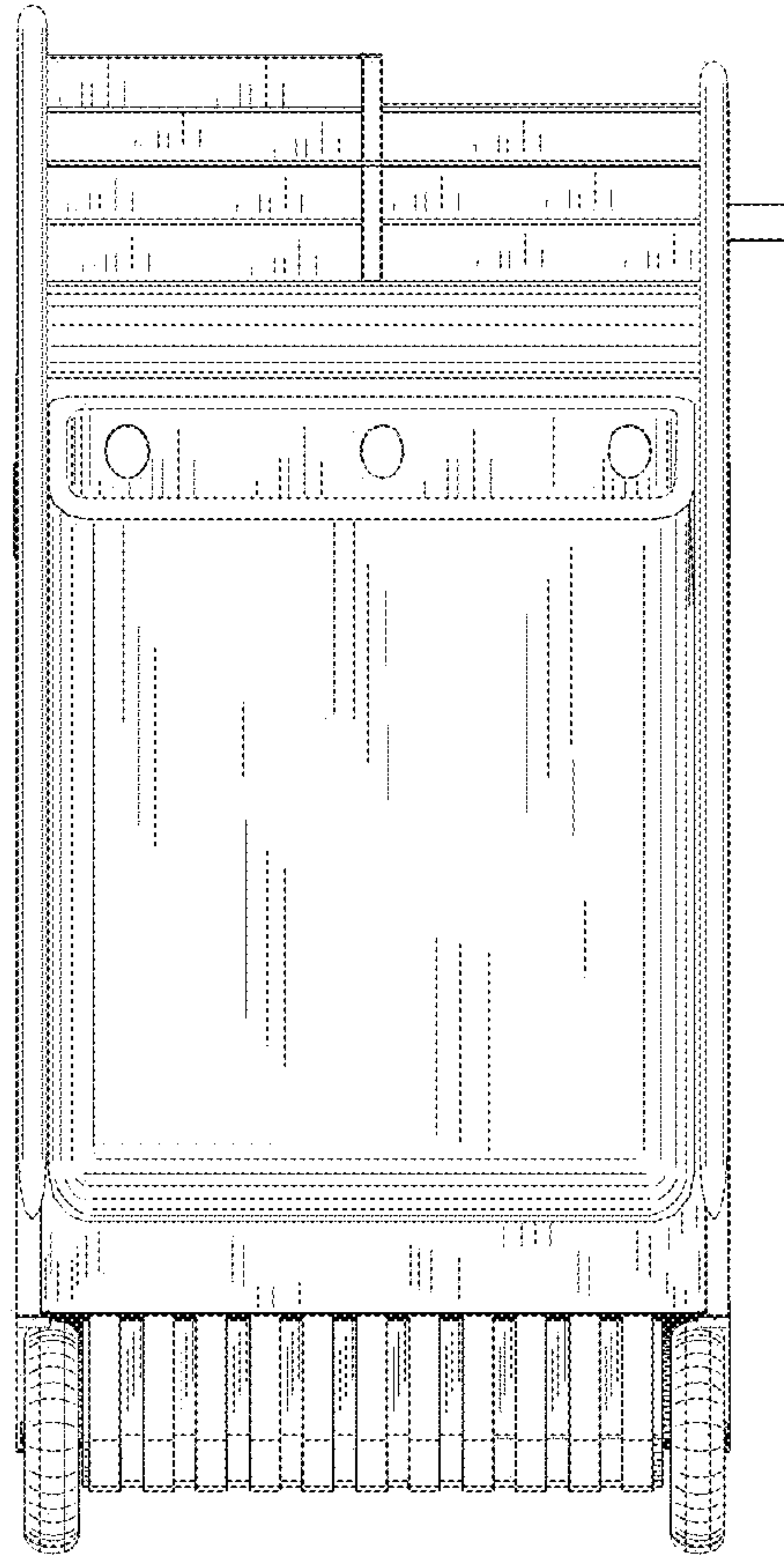


FIG. 2

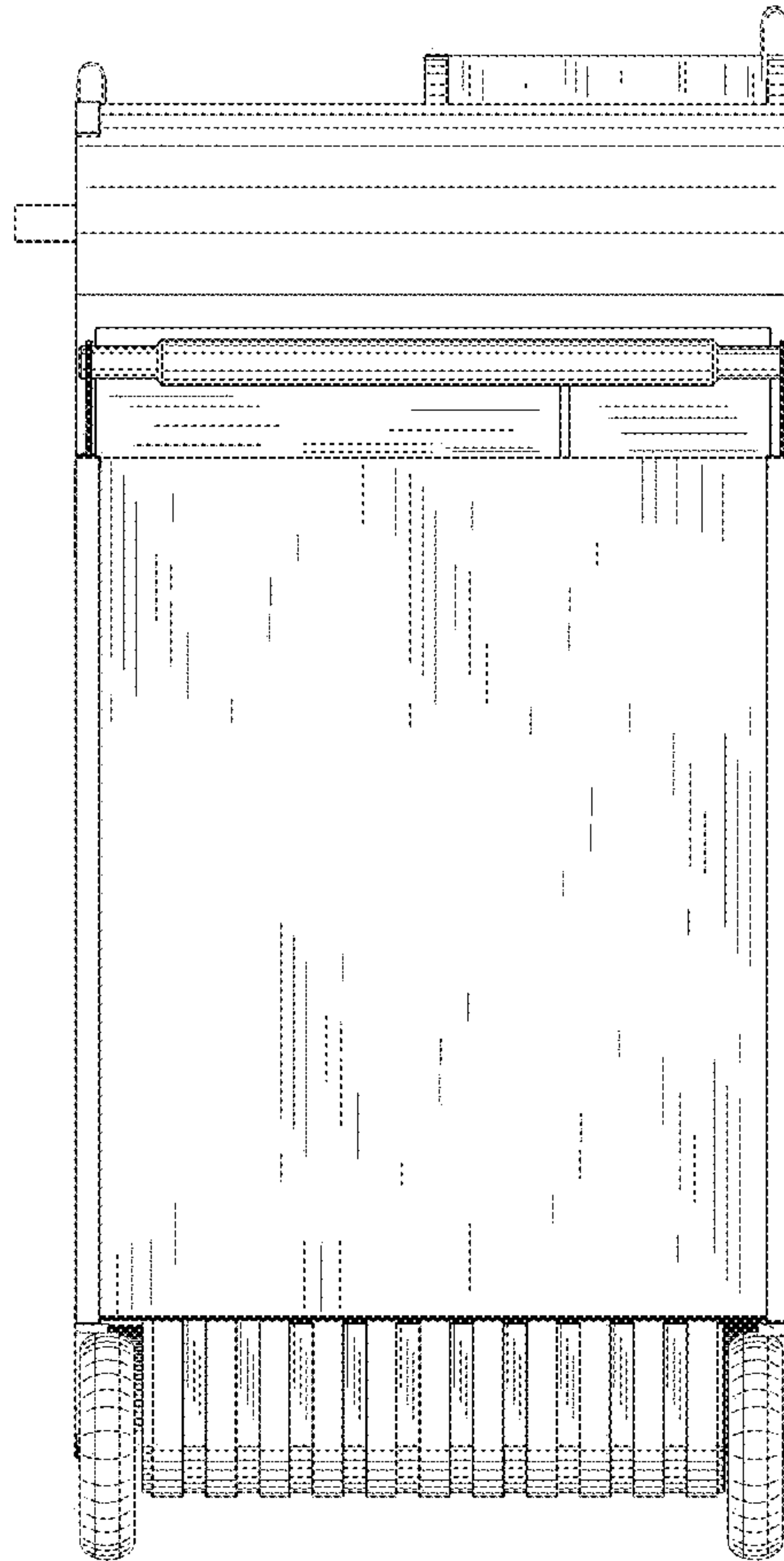


FIG. 3

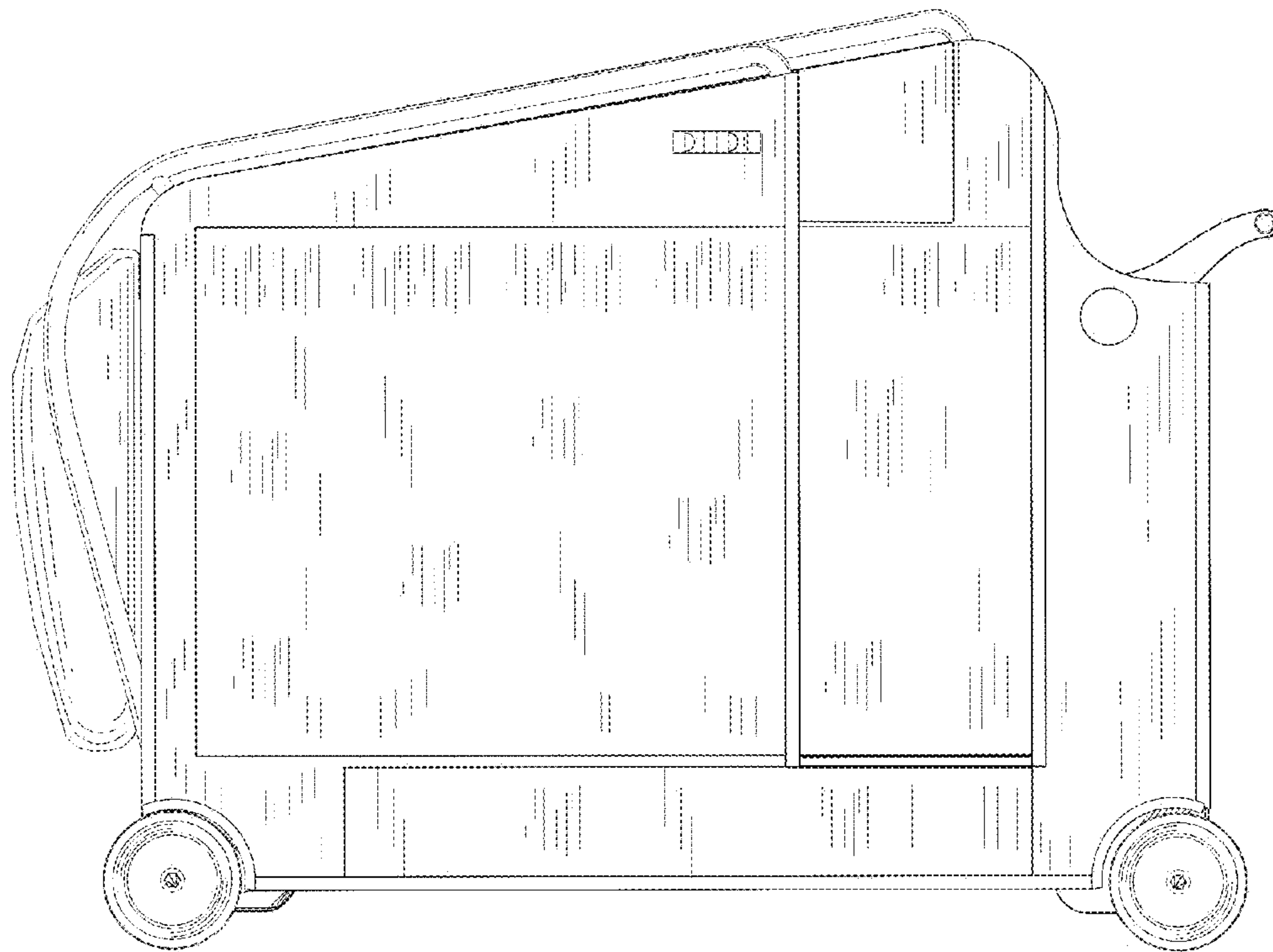


FIG. 4

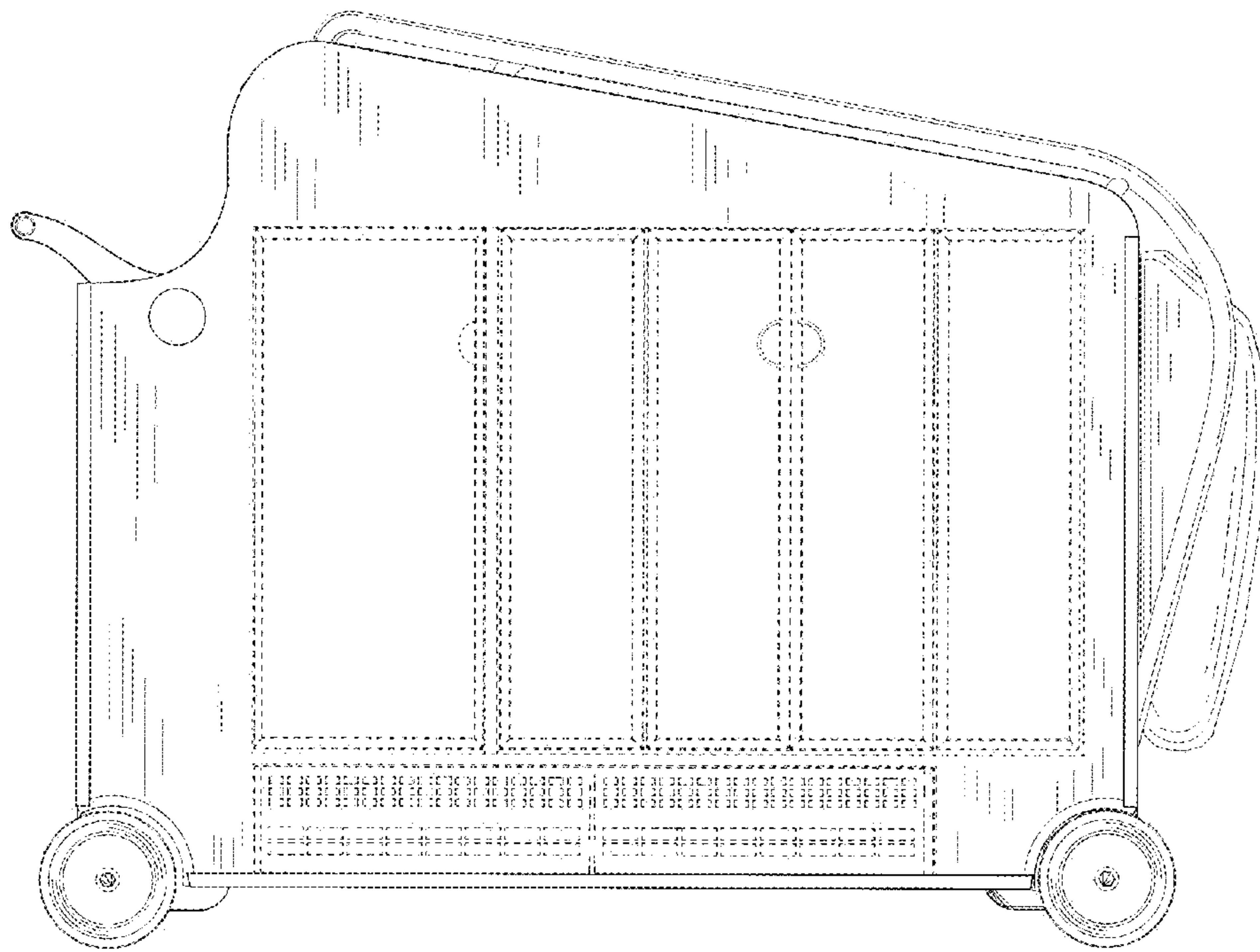


FIG. 5

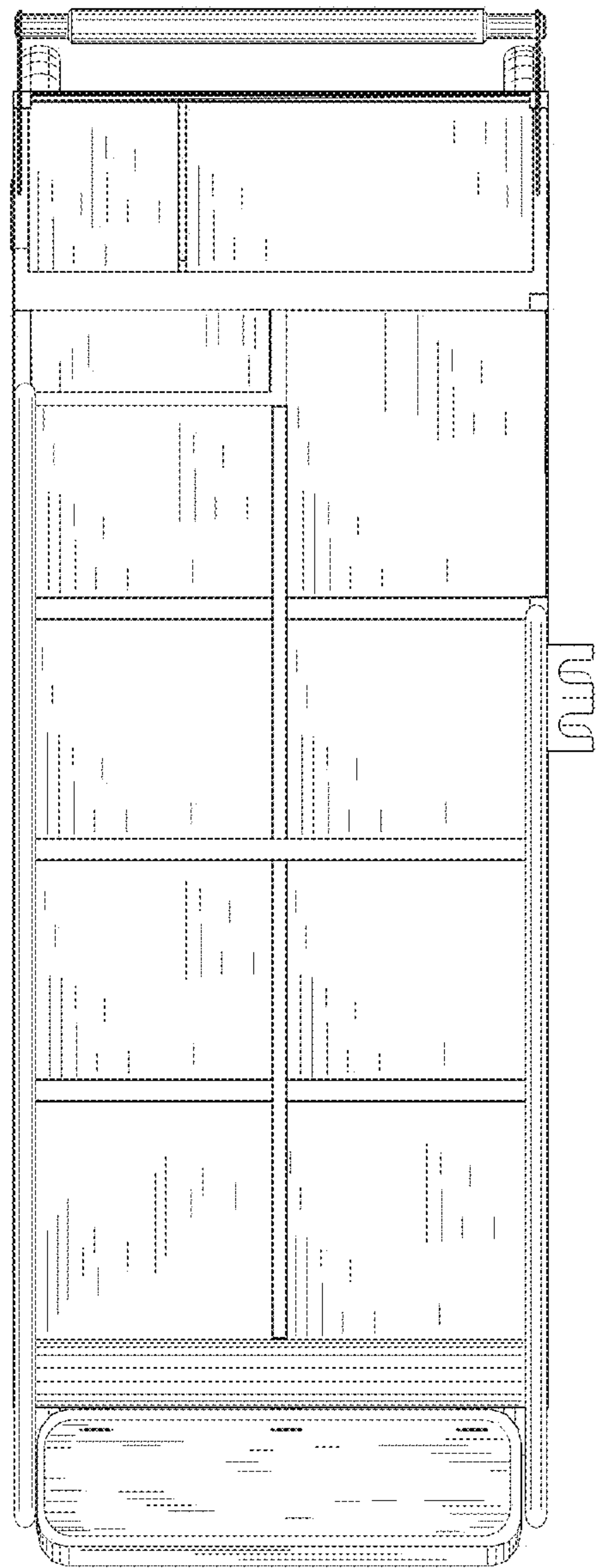


FIG. 6

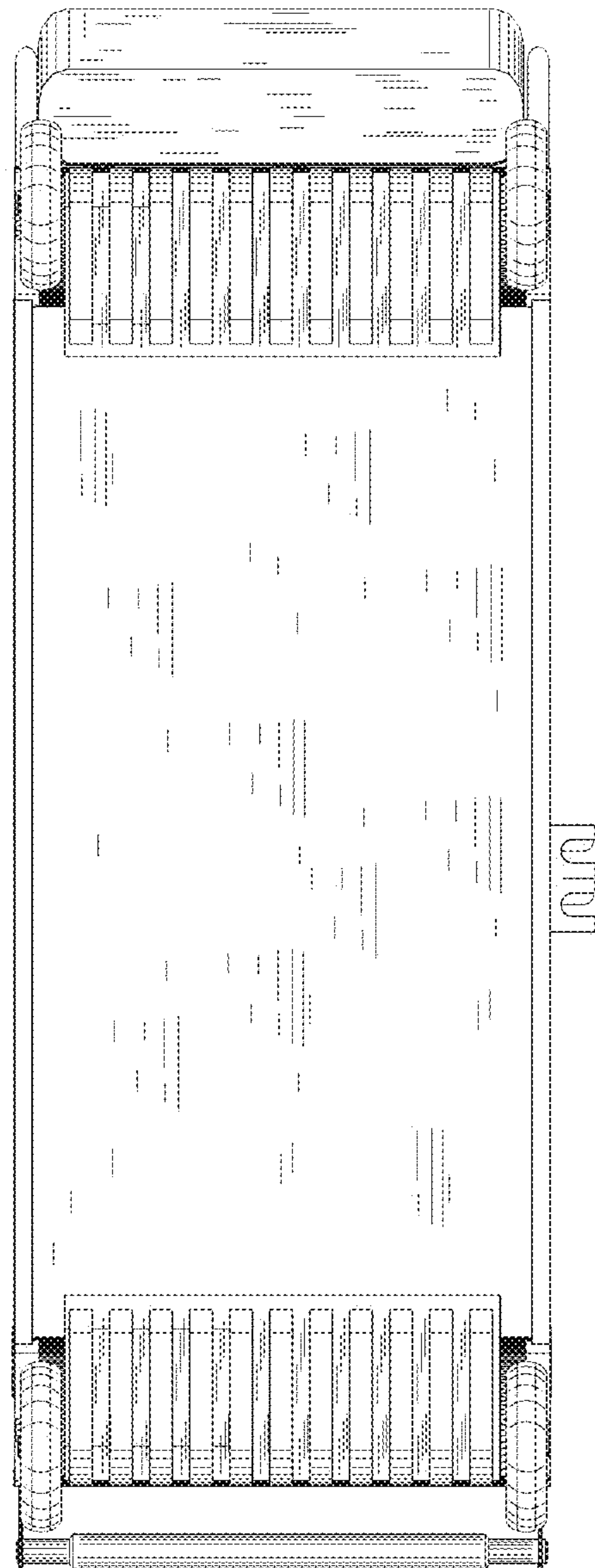


FIG. 7