



US00D725861S

(12) **United States Design Patent**  
**Yang et al.**

(10) **Patent No.:** **US D725,861 S**  
(45) **Date of Patent:** **\*\* Mar. 31, 2015**

(54) **TRASH CAN**  
(71) Applicant: **simplehuman, LLC**, Torrance, CA (US)  
(72) Inventors: **Frank Yang**, Rancho Palos Verdes, CA (US); **Myk Wayne Lum**, Irvine, CA (US); **Adam C. Wade**, Rancho Santa Margarita, CA (US)

3,820,200 A 6/1974 Myers  
3,825,150 A 7/1974 Taylor  
3,825,215 A 7/1974 Borglum  
3,886,425 A 5/1975 Weiss  
3,891,115 A 6/1975 Ono  
4,014,457 A 3/1977 Hodge  
4,027,774 A 6/1977 Cote  
4,081,105 A 3/1978 Dagonnet et al.

(Continued)

(73) Assignee: **simplehuman, LLC**, Torrance, CA (US)

**FOREIGN PATENT DOCUMENTS**

(\*\*) Term: **14 Years**

AU 622536 4/1992  
CA 2519295 3/2007

(21) Appl. No.: **29/484,903**

(Continued)

(22) Filed: **Mar. 13, 2014**

**OTHER PUBLICATIONS**

(51) **LOC (10) Cl.** ..... **09-09**

U.S. Appl. No. 13/783,149, filed Mar. 1, 2013, Yang et al.

(52) **U.S. Cl.**  
USPC ..... **D34/7**

(Continued)

(58) **Field of Classification Search**  
USPC ..... D34/1-11; 220/908, 908.1, 909, 262,  
220/263, 264

*Primary Examiner* — Cynthia Ramirez  
(74) *Attorney, Agent, or Firm* — Knobbe Martens Olson & Bear LLP

See application file for complete search history.

(57) **CLAIM**

(56) **References Cited**

The ornamental design for a trash can, as shown and described.

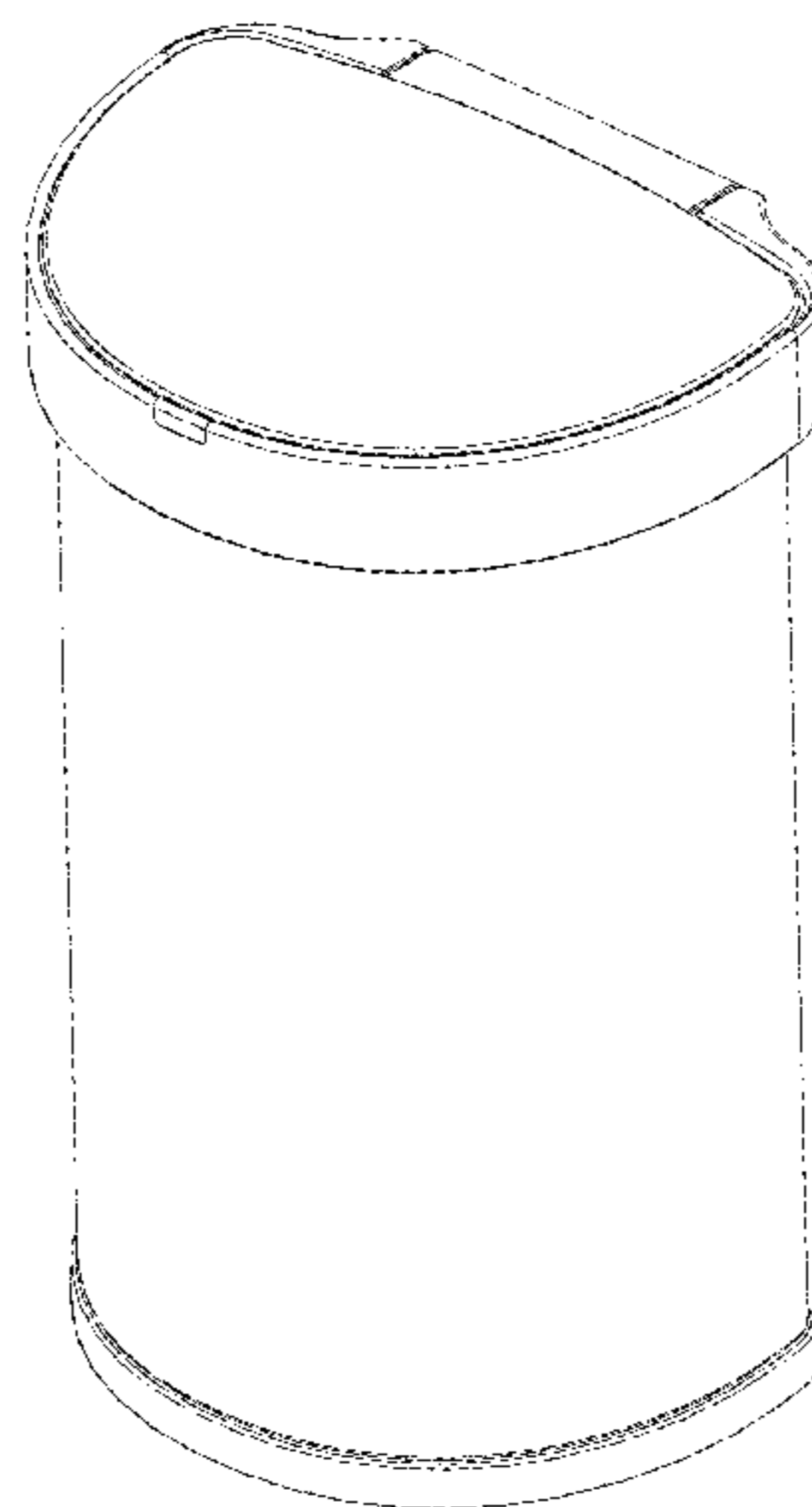
**U.S. PATENT DOCUMENTS**

**DESCRIPTION**

1,426,211 A 8/1922 Pausin  
1,461,253 A 7/1923 Owen  
1,754,802 A 4/1930 Raster  
1,820,555 A 8/1931 Buschman  
1,891,651 A 12/1932 Padelford et al.  
1,922,729 A 8/1933 Geibel  
1,980,938 A 11/1934 Geibel  
2,308,326 A 1/1943 Calcagno  
D148,825 S 2/1948 Snider  
2,457,274 A 12/1948 Rifken  
2,759,625 A 8/1956 Ritter  
2,888,307 A 5/1959 Graves et al.  
2,946,474 A 7/1960 Knapp  
3,008,604 A 11/1961 Garner  
3,023,922 A 3/1962 Arrington et al.  
3,137,408 A 6/1964 Taylor  
3,654,534 A 4/1972 Fischer

FIG. 1 is a top, front, left-side perspective view of a trash can embodying our design;  
FIG. 2 is a front elevation view thereof;  
FIG. 3 is a rear elevation view thereof;  
FIG. 4 is a right-side elevation view thereof;  
FIG. 5 is a left-side elevation view thereof;  
FIG. 6 is a top plan view thereof; and,  
FIG. 7 is a bottom plan view thereof.  
The broken line showing in the figures is included for the purpose of illustrating portions of the trash can and forms no part of the claimed design.

**1 Claim, 7 Drawing Sheets**



(56)

## References Cited

## U.S. PATENT DOCUMENTS

4,189,808	A	2/1980	Brown	5,419,452	A	5/1995	Mueller et al.
4,200,197	A	4/1980	Meyer et al.	5,471,708	A	12/1995	Lynch
4,217,616	A	8/1980	Jessup	5,474,201	A	12/1995	Liu
4,303,174	A	12/1981	Anderson	5,501,358	A	3/1996	Hobday
4,320,851	A	3/1982	Montoya	5,520,067	A	5/1996	Gaba
4,357,740	A	11/1982	Brown	5,520,303	A	5/1996	Bernstein et al.
4,416,197	A	11/1983	Kehl	5,531,348	A	7/1996	Baker et al.
4,457,483	A	7/1984	Gagne	5,535,913	A	7/1996	Asbach et al.
4,535,911	A	8/1985	Goulter	5,558,254	A	9/1996	Anderson et al.
4,570,304	A	2/1986	Montreuil et al.	D377,554	S	1/1997	Adriaansen
4,576,310	A	3/1986	Isgar et al.	5,611,507	A	3/1997	Smith
D284,320	S	6/1986	Kubic et al.	5,628,424	A	5/1997	Gola
4,609,117	A	9/1986	Pamment	5,632,401	A	5/1997	Hurd
4,630,332	A	12/1986	Bisbing	5,636,416	A	6/1997	Anderson
4,630,752	A	12/1986	DeMars	5,644,111	A	7/1997	Cerny et al.
4,664,347	A	5/1987	Brown et al.	5,645,186	A	7/1997	Powers et al.
4,697,312	A	10/1987	Freyer	5,650,680	A	7/1997	Chula
4,711,161	A	12/1987	Swin et al.	D383,277	S	9/1997	Peters
4,729,490	A	3/1988	Ziegenbein	5,662,235	A	9/1997	Nieto
4,753,367	A	6/1988	Miller et al.	5,690,247	A	11/1997	Boover
4,763,808	A	8/1988	Guhl et al.	5,695,088	A	12/1997	Kasbohm
4,765,548	A	8/1988	Sing	5,699,929	A	12/1997	Ouno
4,765,579	A	8/1988	Robbins, III et al.	D388,922	S	1/1998	Peters
4,792,039	A	12/1988	Dayton	D389,631	S	1/1998	Peters
4,794,973	A	1/1989	Perisic	5,704,511	A	1/1998	Kellams
4,834,260	A	5/1989	Auten	5,724,837	A	3/1998	Shin
4,863,053	A	9/1989	Oberg	5,730,312	A	3/1998	Hung
4,867,339	A	9/1989	Hahn	5,732,845	A	3/1998	Armaly, Jr.
4,884,717	A	12/1989	Bussard et al.	5,735,495	A	4/1998	Kubota
4,892,223	A	1/1990	DeMent	5,738,239	A	4/1998	Triglia
4,892,224	A	1/1990	Graham	5,799,909	A	9/1998	Ziegler
4,913,308	A	4/1990	Culbertson	5,816,431	A	10/1998	Giannopoulos
4,915,347	A	4/1990	Iqbal et al.	5,816,640	A	10/1998	Nishimura
4,918,568	A	4/1990	Stone et al.	D401,383	S	11/1998	Gish
D308,272	S	5/1990	Koepsell	D401,719	S	11/1998	Van Leeuwen et al.
4,923,087	A	5/1990	Burrows	5,873,643	A	2/1999	Burgess, Jr. et al.
4,948,004	A	8/1990	Chich	5,881,896	A	3/1999	Presnell et al.
4,964,523	A	10/1990	Bieltvedt et al.	5,881,901	A	3/1999	Hampton
4,972,966	A	11/1990	Craft, Jr.	5,884,237	A	3/1999	Kanki et al.
4,996,467	A	2/1991	Day	5,887,748	A	3/1999	Nguyen
5,031,793	A	7/1991	Chen et al.	5,961,105	A	10/1999	Ehrnsberger et al.
5,048,903	A	9/1991	Loblein	5,967,392	A	10/1999	Niemi et al.
5,054,724	A	10/1991	Hutcheson	5,987,708	A	11/1999	Newton
5,065,272	A	11/1991	Owen et al.	6,000,569	A	12/1999	Liu
5,065,891	A	11/1991	Casey	6,010,024	A	1/2000	Wang
D323,573	S	1/1992	Schneider	6,024,238	A	2/2000	Jaros
5,090,785	A	2/1992	Stamp	6,036,050	A	3/2000	Ruane
5,100,087	A	3/1992	Ashby	6,102,239	A	8/2000	Wien
5,111,958	A	5/1992	Witthoeft	6,123,215	A	9/2000	Windle
D327,760	S	7/1992	Donnelly	D431,700	S	10/2000	Roudebush
D329,929	S	9/1992	Knoedler et al.	6,126,031	A	10/2000	Reason
5,147,055	A	9/1992	Samson et al.	6,129,233	A	10/2000	Schiller
5,156,290	A	10/1992	Rodrigues	D435,951	S	1/2001	Yang et al.
5,170,904	A	12/1992	Neuhaus	6,209,744	B1	4/2001	Gill
5,174,462	A	12/1992	Hames	6,211,637	B1	4/2001	Studer
D335,562	S	5/1993	Evans	6,234,339	B1	5/2001	Thomas
5,213,272	A	5/1993	Gallagher et al.	6,250,492	B1	6/2001	Verbeek
5,222,704	A	6/1993	Light	D445,980	S	7/2001	Tjugum
D337,181	S	7/1993	Warman	6,286,706	B1	9/2001	Tucker
5,226,558	A	7/1993	Whitney et al.	6,328,320	B1	12/2001	Walski et al.
5,230,525	A	7/1993	Delmerico et al.	6,345,725	B1	2/2002	Lin
5,242,074	A	9/1993	Conaway et al.	6,364,147	B1	4/2002	Meinzinger et al.
D340,333	S	10/1993	Duran et al.	6,386,386	B1	5/2002	George
5,249,693	A	10/1993	Gillispie et al.	6,390,321	B1	5/2002	Wang
5,261,553	A	11/1993	Mueller et al.	6,401,958	B1	6/2002	Foss et al.
5,305,916	A	4/1994	Suzuki et al.	6,519,130	B1	2/2003	Breslow
5,314,151	A	5/1994	Carter-Mann	6,557,716	B1	5/2003	Chan
5,322,179	A	6/1994	Ting	6,596,983	B2	7/2003	Brent
5,329,212	A	7/1994	Feigleson	6,626,316	B2	9/2003	Yang
5,348,222	A	9/1994	Patey	6,626,317	B2	9/2003	Pfiefer et al.
5,381,588	A	1/1995	Nelson	6,632,064	B1	10/2003	Walker et al.
5,385,258	A	1/1995	Sutherlin	D482,169	S	11/2003	Lin
5,390,818	A	2/1995	LaBuda	6,659,407	B2	12/2003	Asaro
5,404,621	A	4/1995	Heinke	6,681,950	B2	1/2004	Miller, Jr. et al.
5,407,089	A	4/1995	Bird et al.	D488,604	S	4/2004	Yang et al.
				D488,903	S	4/2004	Yang et al.
				D489,503	S	5/2004	Lin
				D489,857	S	5/2004	Yang et al.
				D490,583	S	5/2004	Yang et al.

(56)

References Cited

U.S. PATENT DOCUMENTS

D490,954 S	6/2004	Brand	D580,120 S	11/2008	Lin	
D491,706 S	6/2004	Yang et al.	D580,613 S	11/2008	Yang et al.	
6,758,366 B2	7/2004	Bourgund et al.	D580,615 S	11/2008	Yang et al.	
D493,930 S	8/2004	Wang	D581,622 S *	11/2008	Presnell et al.	D34/9
D494,723 S	8/2004	Lin	D584,470 S	1/2009	Bizzell et al.	
6,812,655 B1	11/2004	Wang et al.	D585,171 S	1/2009	Bizzell et al.	
6,814,249 B2	11/2004	Lin	D585,618 S	1/2009	Yang et al.	
D499,450 S	12/2004	Goodman et al.	D586,070 S *	2/2009	Lin	D34/9
6,837,393 B1	1/2005	Kuo	7,494,021 B2	2/2009	Yang et al.	
6,857,538 B2	2/2005	Lin	D587,874 S *	3/2009	Lin	D34/7
6,859,005 B2	2/2005	Boliver	7,540,396 B2	6/2009	Yang et al.	
D503,021 S	3/2005	Yang et al.	7,543,716 B2	6/2009	Lin	
6,866,826 B2	3/2005	Moore et al.	7,559,433 B2	7/2009	Yang et al.	
6,883,676 B2	4/2005	Lin	D599,074 S	8/2009	Bizzell et al.	
D507,090 S	7/2005	Yang et al.	D603,119 S	10/2009	Yang et al.	
6,920,994 B2	7/2005	Lin	7,607,552 B2	10/2009	Efstathiou	
6,974,948 B1	12/2005	Brent	7,614,519 B2	11/2009	Krauth et al.	
D513,445 S	1/2006	Lin	7,621,420 B2	11/2009	Bandoh et al.	
6,981,606 B2	1/2006	Yang et al.	7,656,109 B2	2/2010	Yang et al.	
D517,764 S	3/2006	Wang	D611,216 S	3/2010	Yang et al.	
D517,767 S	3/2006	Yang et al.	D611,217 S	3/2010	Bizzell et al.	
D518,266 S	3/2006	Yang et al.	D611,671 S	3/2010	Yang et al.	
7,017,773 B2	3/2006	Gruber et al.	7,694,838 B2	4/2010	Yang et al.	
7,044,323 B2	5/2006	Yang	7,703,622 B1	4/2010	Bynoe	
D525,756 S	7/2006	Yang et al.	D615,270 S *	5/2010	Yang et al.	D34/9
7,073,677 B2	7/2006	Richardson et al.	D615,722 S	5/2010	Yang et al.	
7,077,283 B2	7/2006	Yang et al.	7,712,285 B2	5/2010	Stravitz et al.	
7,080,750 B2	7/2006	Wein et al.	7,741,801 B2	6/2010	Fukuizumi	
7,086,550 B2	8/2006	Yang et al.	7,748,556 B2	7/2010	Yang et al.	
D528,726 S	9/2006	Lin	7,781,995 B2	8/2010	Yang et al.	
7,121,421 B2	10/2006	Yang et al.	7,806,285 B2	10/2010	Yang et al.	
D531,499 S	11/2006	Zaidman	D627,944 S *	11/2010	Wang et al.	D34/7
D535,799 S	1/2007	Epps	D629,172 S *	12/2010	Liao	D34/7
D535,800 S	1/2007	Yang et al.	D630,404 S *	1/2011	Yang et al.	D34/7
D537,223 S	2/2007	Lin	D631,221 S	1/2011	Yang et al.	
D537,599 S	2/2007	Lin	D632,864 S	2/2011	Yang et al.	
D537,601 S	2/2007	Lin	D634,911 S	3/2011	Yang et al.	
D537,999 S	3/2007	Lin	7,896,187 B2	3/2011	Haibel	
D538,995 S	3/2007	Lin	7,922,024 B2	4/2011	Yang et al.	
D539,498 S	3/2007	Yang et al.	7,950,543 B2	5/2011	Yang et al.	
D539,499 S	3/2007	Yang et al.	D644,390 S	8/2011	Smeets et al.	
D540,001 S	4/2007	Zimmerman	7,992,742 B1	8/2011	Kim	
D542,001 S	5/2007	Yang et al.	8,006,857 B2	8/2011	Lin	
D542,995 S	5/2007	Lin	D649,728 S	11/2011	Campbell	
D544,170 S	6/2007	Lin	8,074,833 B2	12/2011	Yang et al.	
D544,171 S	6/2007	Lin	8,136,688 B2	3/2012	Lee et al.	
D544,671 S	6/2007	Saunders et al.	D657,108 S	4/2012	Yang et al.	
D545,024 S	6/2007	Liao	D657,109 S	4/2012	Liao	
7,225,943 B2	6/2007	Yang et al.	D672,520 S	12/2012	Yang et al.	
D547,020 S	7/2007	Chen	D675,802 S	2/2013	Yang et al.	
7,243,811 B1	7/2007	Ramsey	D675,803 S	2/2013	Yang et al.	
D550,918 S	9/2007	Wang et al.	8,418,869 B2	4/2013	Yang et al.	
D552,319 S	10/2007	Gusdorf	8,567,630 B2	10/2013	Yang et al.	
D552,321 S	10/2007	Yang et al.	8,569,980 B2	10/2013	Yang et al.	
D552,823 S	10/2007	Yang et al.	8,672,171 B2	3/2014	Wynn et al.	
D552,824 S	10/2007	Zimmerman	8,686,676 B2	4/2014	Yang et al.	
D552,825 S	10/2007	Yang et al.	8,716,969 B2	5/2014	Yang et al.	
D555,320 S *	11/2007	Yang et al.	8,720,728 B2	5/2014	Yang et al.	
D559,494 S	1/2008	Yang et al.	8,766,582 B2	7/2014	Yang et al.	
D559,495 S	1/2008	Yang et al.	D716,015 S *	10/2014	van De Leest	D34/9
7,328,842 B2	2/2008	Wagner et al.	2001/0002690 A1	6/2001	Rosky	
D564,169 S	3/2008	Wang	2001/0020619 A1	9/2001	Pfeifer et al.	
D566,367 S	4/2008	Lin	2002/0092853 A1	7/2002	Wang	
D566,369 S	4/2008	Shek	2002/0096524 A1	7/2002	Hardesty	
D566,923 S	4/2008	Lin	2002/0104266 A1	8/2002	Ranaudo	
D568,572 S	5/2008	Yang et al.	2003/0089719 A1	5/2003	Berger	
7,374,060 B2	5/2008	Yang et al.	2003/0201265 A1	10/2003	Lin	
D571,520 S	6/2008	Lin	2003/0230576 A1	12/2003	Lin	
7,398,913 B2	7/2008	McClure	2004/0016756 A1	1/2004	Lin	
7,404,499 B1	7/2008	Ramsey	2004/0134924 A1	7/2004	Hansen et al.	
D576,371 S	9/2008	Zimmerman	2004/0140782 A1	7/2004	Okabe et al.	
D578,265 S	10/2008	Presnell	2004/0164077 A1	8/2004	Kuo	
D578,266 S	10/2008	Yang et al.	2004/0174268 A1	9/2004	Scott et al.	
D578,722 S	10/2008	Yang et al.	2004/0175303 A1	9/2004	Lin	
7,438,199 B1	10/2008	Tidrick	2004/0199401 A1	10/2004	Wagner	
			2004/0200938 A1	10/2004	Forlivio	
			2004/0206758 A1	10/2004	Lin	
			2004/0206760 A1	10/2004	Gagnebin	
			2004/0251746 A1	12/2004	Ichimaru et al.	

(56)

References Cited

U.S. PATENT DOCUMENTS

2005/0017006	A1	1/2005	Kuo
2005/0017010	A1	1/2005	Siegel et al.
2005/0258794	A1	11/2005	Fukuizumi
2006/0027579	A1	2/2006	Yang et al.
2006/0103086	A1	5/2006	Niemeyer et al.
2006/0175336	A1	8/2006	Wang
2006/0186121	A1	8/2006	Yang et al.
2006/0196874	A1	9/2006	Yang
2006/0249510	A1	11/2006	Lin
2006/0278643	A1	12/2006	Chiou
2007/0012699	A1	1/2007	Yang et al.
2007/0034334	A1	2/2007	Ramsey et al.
2007/0090112	A1	4/2007	Kalman et al.
2007/0114847	A1	5/2007	Ichimaru et al.
2007/0181579	A1	8/2007	Kuo et al.
2007/0209846	A1	9/2007	Wilson
2007/0241109	A1	10/2007	Lin
2007/0266637	A1	11/2007	McGowan
2007/0272691	A1	11/2007	Wang et al.
2007/0289972	A1	12/2007	Wynn et al.
2008/0011754	A1	1/2008	Ramsey
2008/0011910	A1	1/2008	Ramsey
2008/0083756	A1	4/2008	Daniels
2008/0099274	A1	5/2008	Seel
2008/0164257	A1	7/2008	Boll et al.
2008/0236275	A1	10/2008	Breed et al.
2008/0237234	A1	10/2008	Yang et al.
2008/0257889	A1	10/2008	Kovacevich et al.
2008/0257890	A1	10/2008	Kovacevich et al.
2008/0257891	A1	10/2008	Kovacevich et al.
2008/0264948	A1	10/2008	Kovacevich et al.
2008/0264950	A1	10/2008	Kovacevich et al.
2008/0272119	A1	11/2008	Efstathiou
2008/0272127	A1	11/2008	Kovacevich et al.
2009/0084788	A1	4/2009	Yang et al.
2009/0230131	A1	9/2009	McDuffie et al.
2009/0261105	A1	10/2009	Cunningham et al.
2009/0266836	A1	10/2009	Mobley
2010/0006572	A1	1/2010	Chiou
2010/0084235	A1	4/2010	Lu
2010/0096894	A1	4/2010	Fukai
2010/0122985	A1	5/2010	Peters et al.
2010/0170904	A1	7/2010	Kalman et al.
2010/0237074	A1	9/2010	Yang et al.
2010/0252557	A1	10/2010	Clements
2010/0294769	A1	11/2010	Lee et al.
2011/0139781	A1	6/2011	Jin et al.
2011/0220646	A1	9/2011	Yang et al.
2011/0220647	A1	9/2011	Yang et al.
2011/0220648	A1	9/2011	Yang et al.
2011/0220655	A1	9/2011	Yang et al.
2011/0272409	A1	11/2011	Kasbohm
2013/0233853	A1	9/2013	Yang et al.
2013/0233857	A1	9/2013	Yang et al.
2013/0248532	A1	9/2013	Yang et al.

FOREIGN PATENT DOCUMENTS

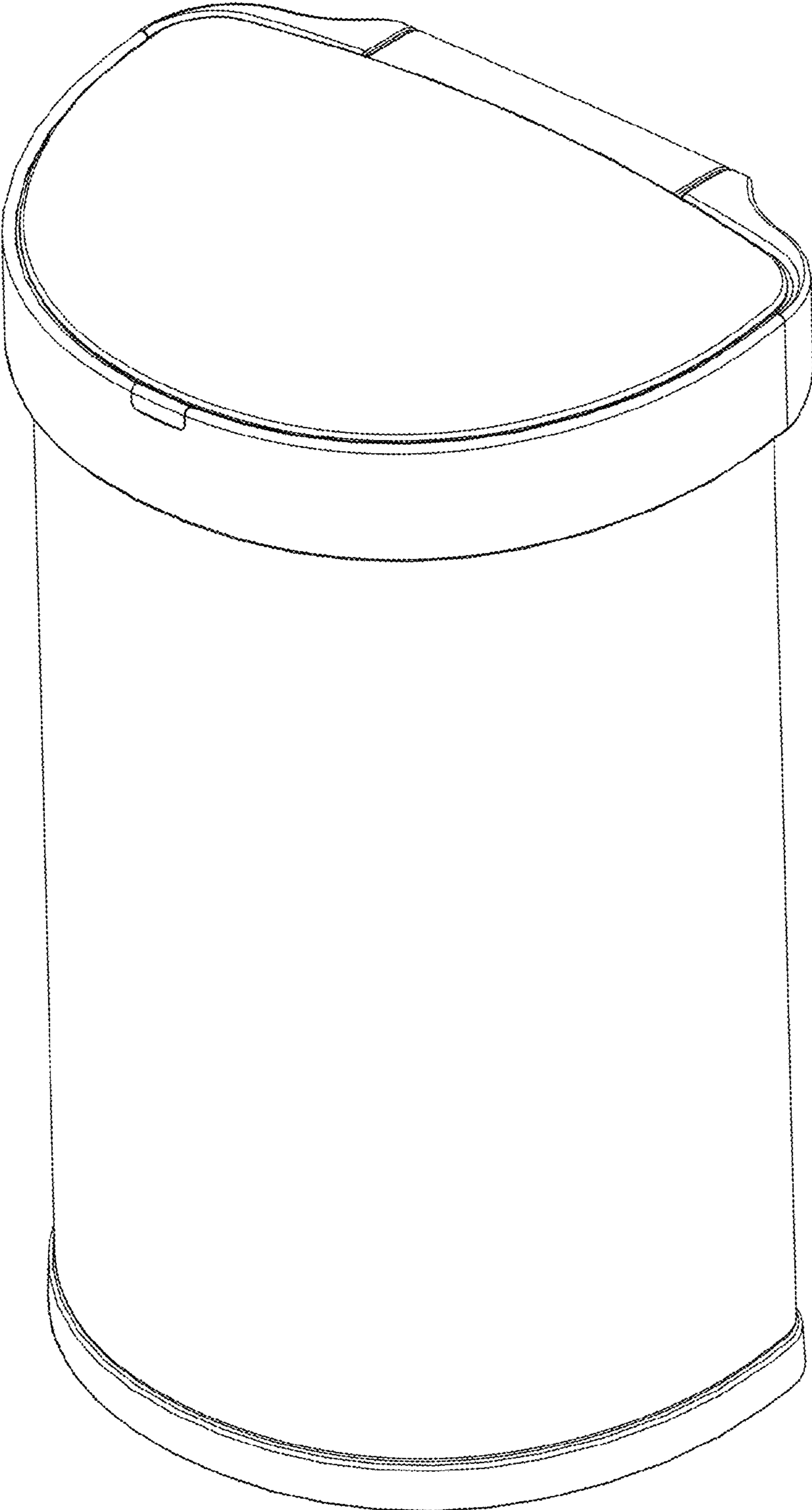
CA	132181	6/2010
CA	136938	5/2011
CA	141819	4/2012
CA	146601	2/2013
CA	152797	4/2014
CN	102190144	A 9/2011
CN	301947175	S 6/2012
CN	103300590	A 9/2013
CN	103381944	A 11/2013

CN	201330418089.X	3/2014
DE	1610087	7/1950
DE	822376	11/1951
DE	1283741	7/1966
DE	8436939	3/1985
DE	9108341	10/1991
DE	4225936	2/1994
DE	19525885	3/1997
DE	19617823	11/1997
DE	19809331	5/1999
DE	29918687	3/2000
DE	19933180	1/2001
DE	10148997	4/2003
DE	20217561	3/2004
EP	0582240	7/1993
EP	0903305	A1 3/1999
EP	0906876	A2 4/1999
EP	1094017	A1 4/2001
EP	1361176	A1 11/2003
EP	1136393	B1 4/2004
EP	1447342	A2 8/2004
EP	1600373	A2 11/2005
EP	1647503	A1 4/2006
EP	1686073	A1 8/2006
EP	1918223	A1 5/2008
EP	1700799	B1 8/2009
EP	001164826-0001	9/2009
EP	001232904-0001	10/2010
EP	001908575-0001	8/2011
EP	001317416-0001	4/2012
EP	001317416-0002	4/2012
EP	001335285-0001	7/2012
EP	001335293-0001	7/2012
EP	001381636-001	8/2013
EP	001381792-0001	8/2013
EP	2636611	A1 9/2013
EP	2636613	A1 9/2013
FR	2887152	12/2006
GB	191004921	6/1910
GB	2384418	7/2003
JP	02-152670	6/1990
JP	H06-56011	8/1994
JP	06-272888	9/1994
JP	D1300450	5/2007
JP	D1300451	5/2007
JP	D1322056	2/2008
KR	3003841370000	6/2005
KR	3004095430000	3/2006
KR	3004095430001	7/2006
NL	6908550	12/1970
TW	D112733	9/2006
TW	D129485	7/2009
TW	D133382	2/2010
TW	D133678	3/2010
TW	D147147	5/2012
TW	D154797	7/2013
TW	D158187	1/2014
TW	D161587	7/2014
WO	WO 92/02430	A1 2/1992
WO	WO 96/33671	10/1996
WO	WO 2005/080232	A1 9/2005
WO	WO 2006/079263	A1 8/2006
WO	WO 2007/139570	12/2007
WO	WO 2009/114495	A1 9/2009

OTHER PUBLICATIONS

U.S. Appl. No. 29/447,313, filed Mar. 1, 2013, Yang et al.  
 U.S. Appl. No. 29/484,764, filed Mar. 1, 2013, Yang et al.  
 U.S. Appl. No. 14/198,460, filed Mar. 5, 2014, Yang et al.

\* cited by examiner



**Fig. 1**

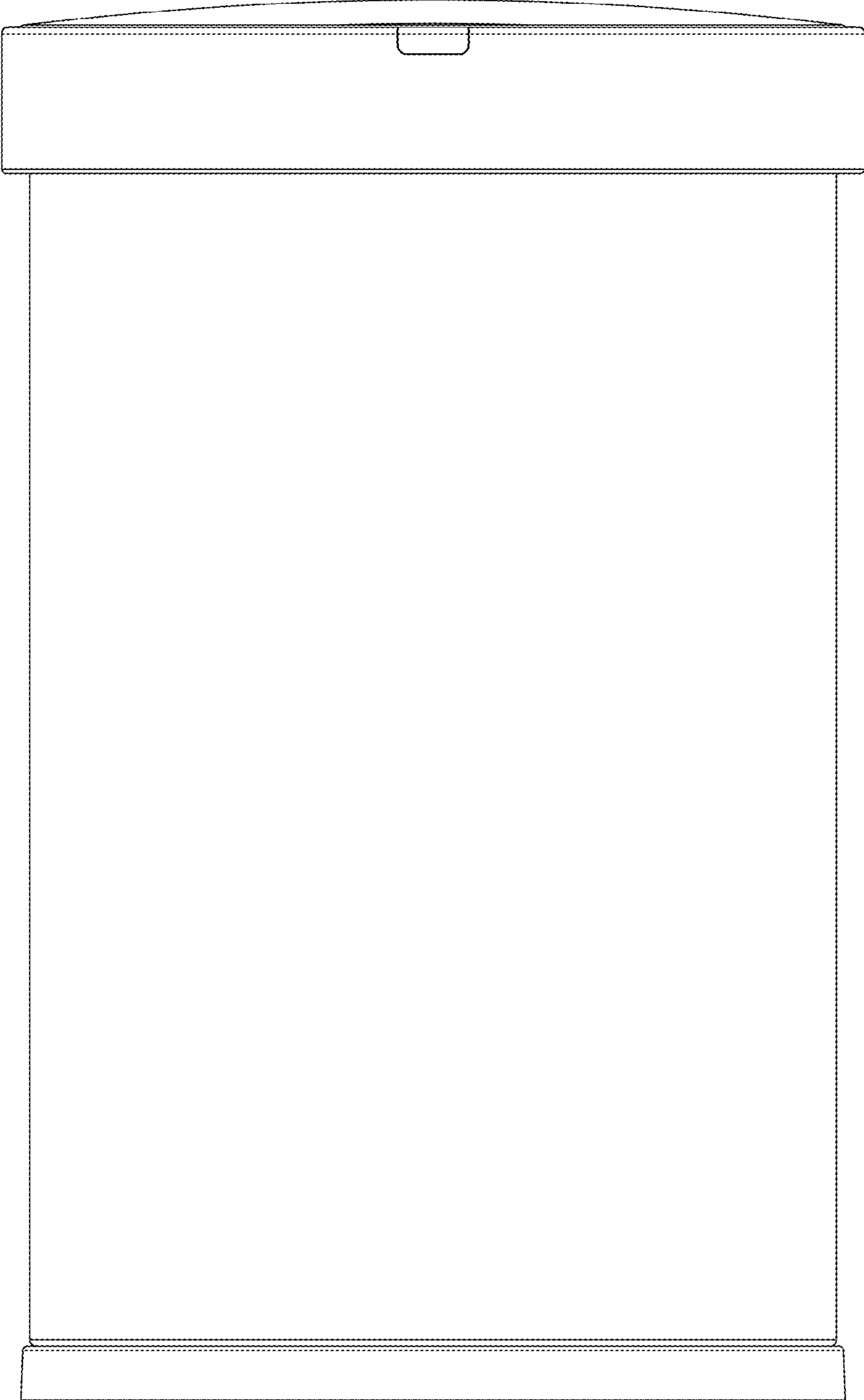
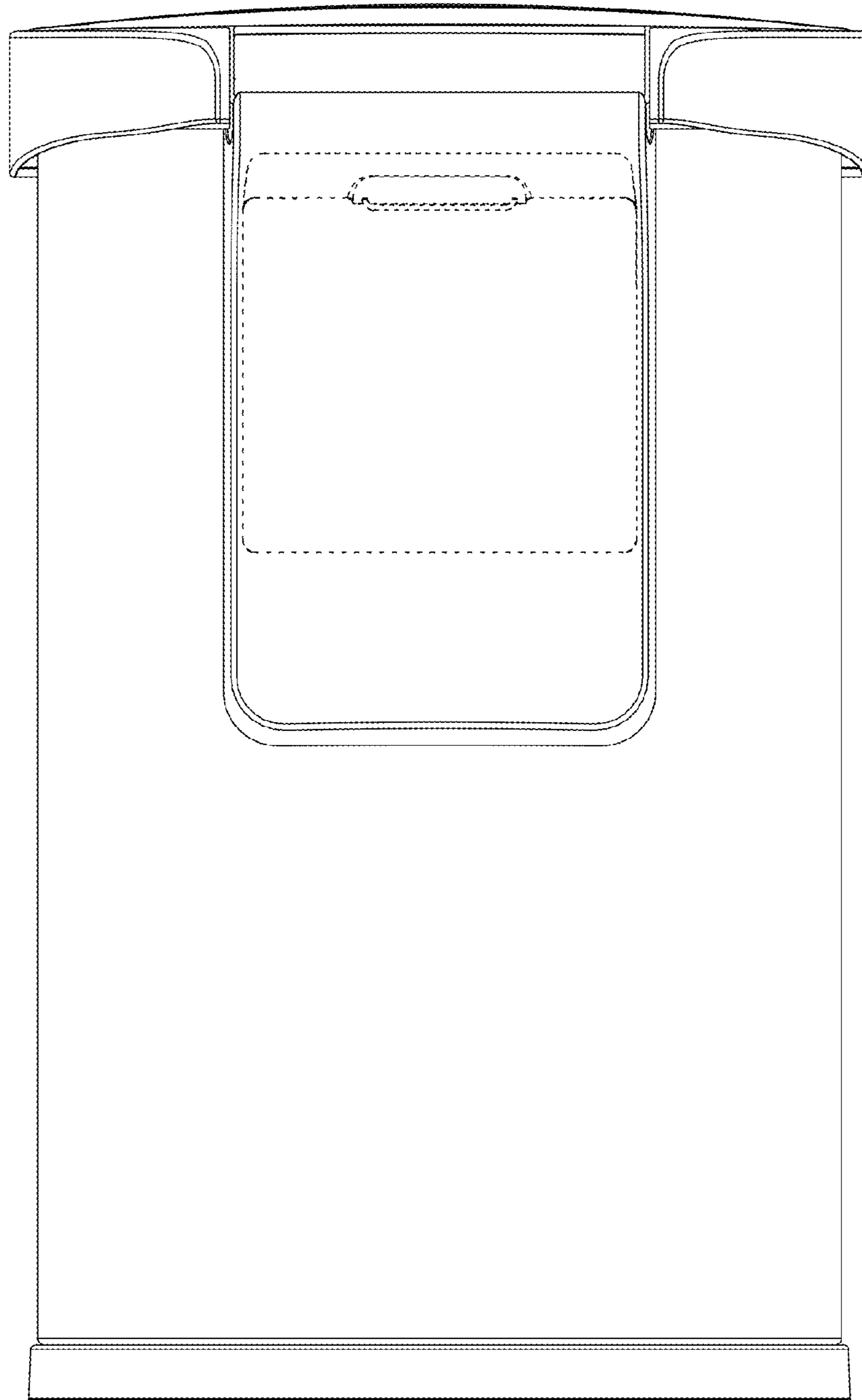
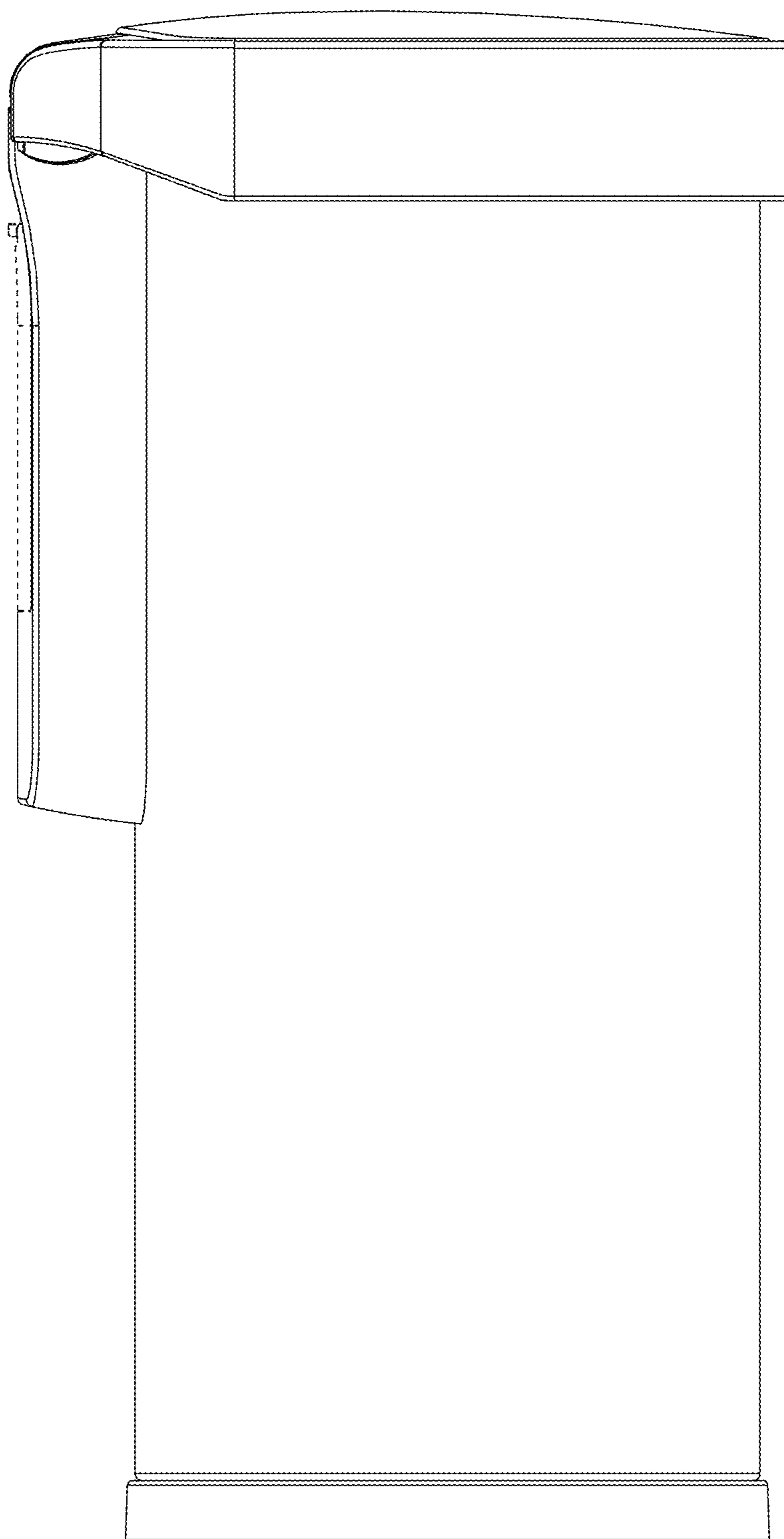


Fig. 2



**Fig. 3**



**Fig. 4**



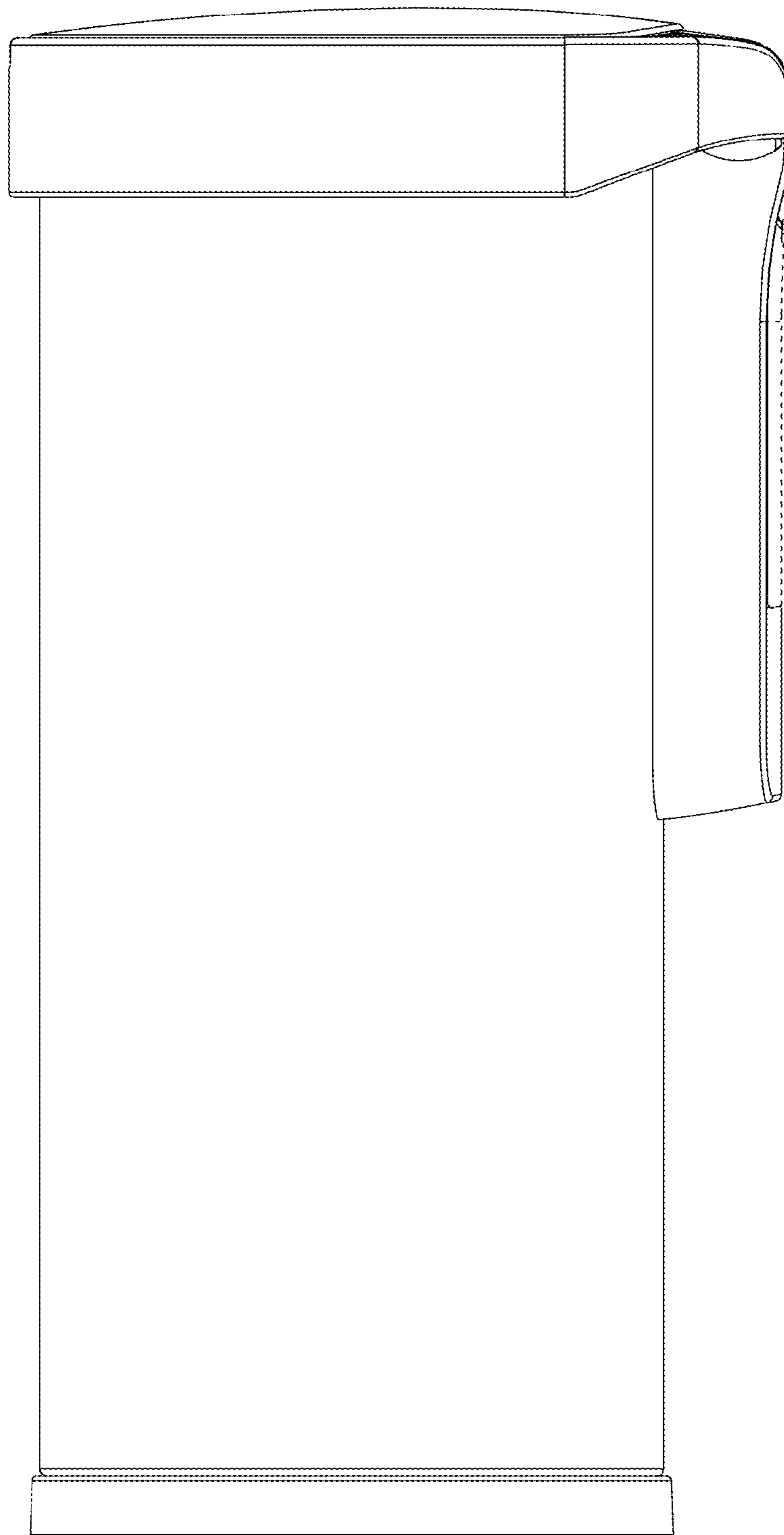
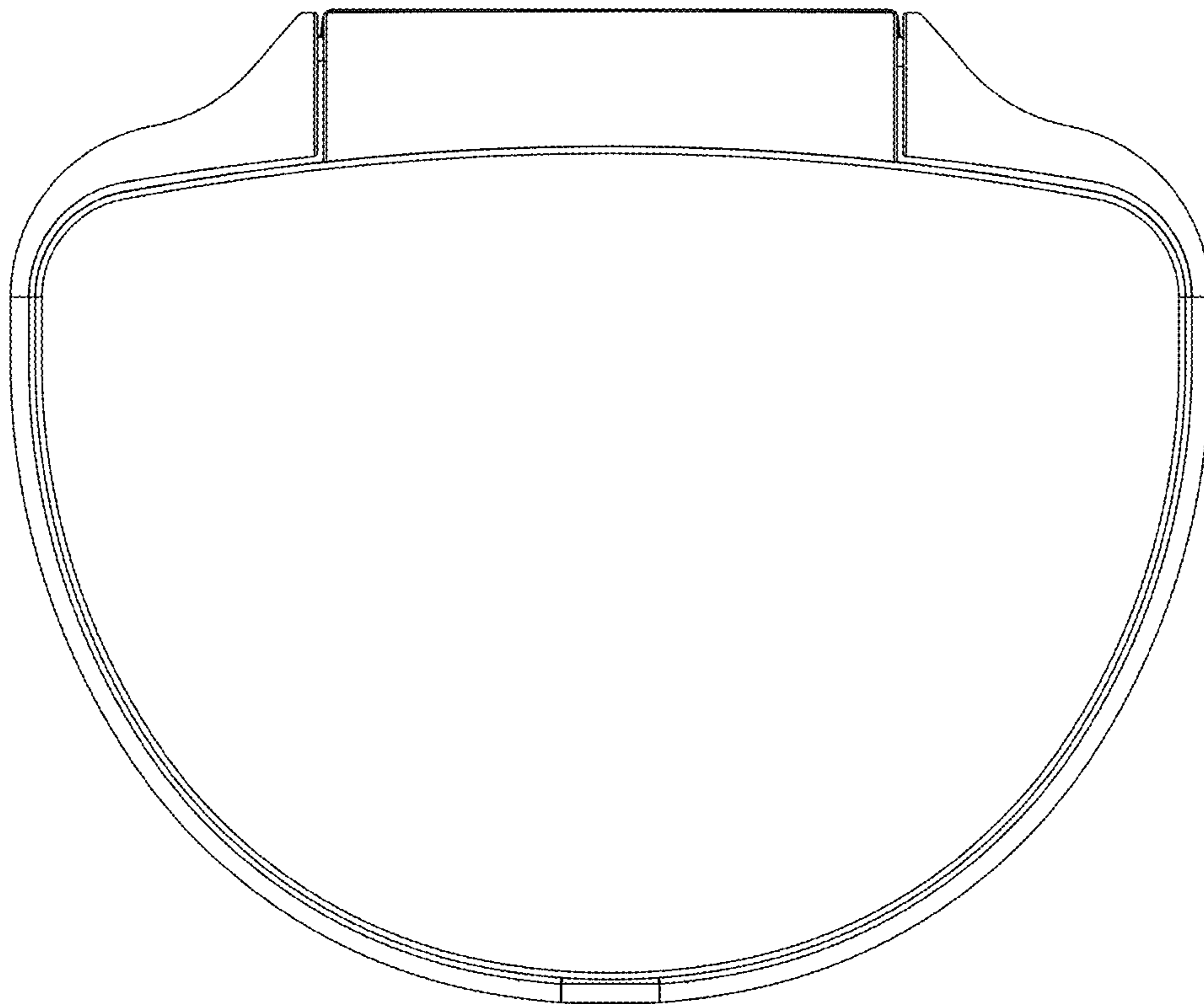
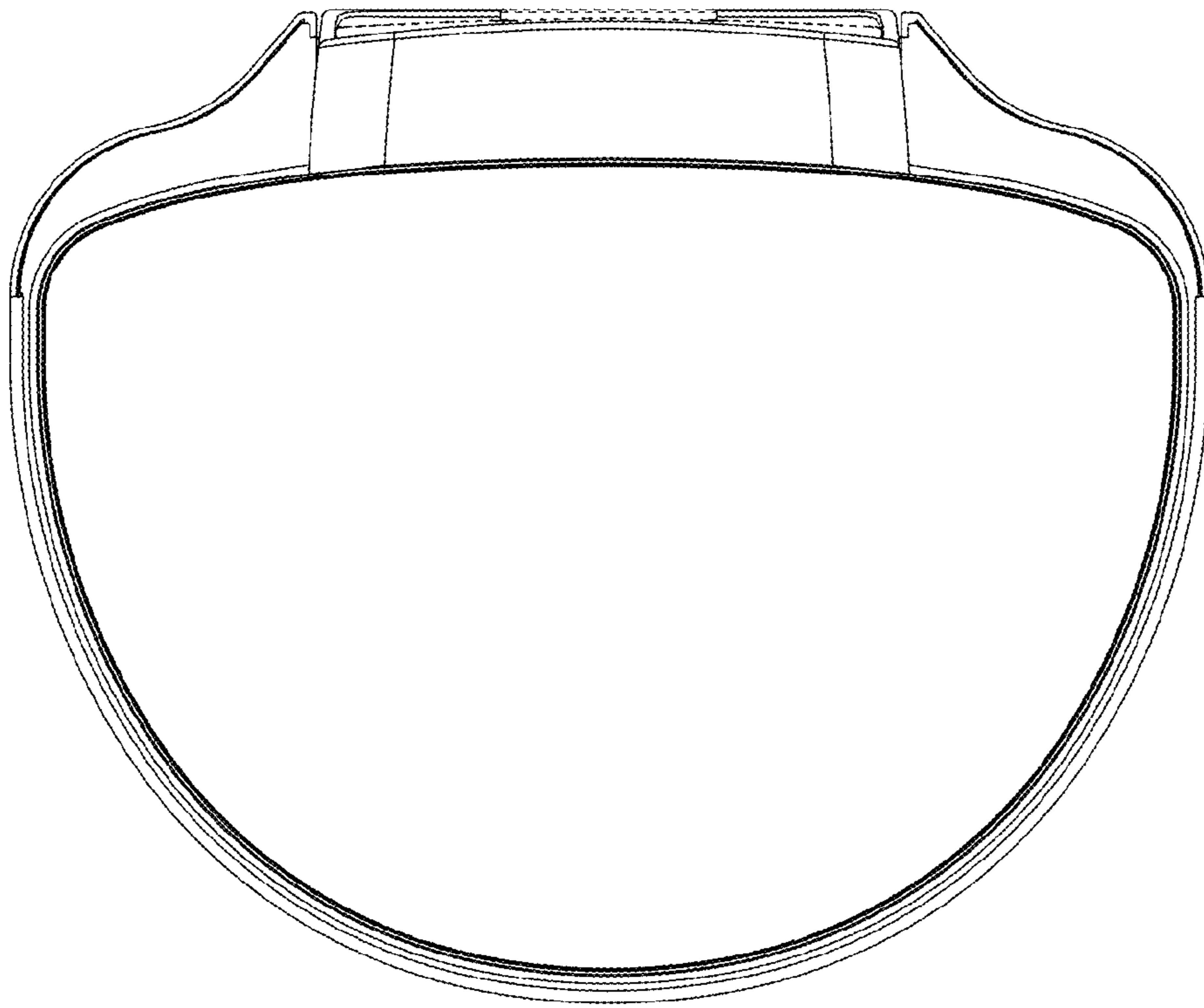


Fig. 5



**Fig. 6**



**Fig. 7**