



US00D725860S

(12) **United States Design Patent**
Spivey et al.

(10) **Patent No.:** **US D725,860 S**
(45) **Date of Patent:** **** Mar. 31, 2015**

(54) **NESTABLE TRASH CAN**

(56) **References Cited**

(71) Applicants: **Patrick John Spivey**, Atlanta, GA (US);
Kenneth Charles Kreaflle, Atlanta, GA
(US)

U.S. PATENT DOCUMENTS

D574,569 S * 8/2008 Yang et al. D34/9
D604,472 S * 11/2009 Blanks et al. D34/7
D673,750 S * 1/2013 Quan D34/9
D689,255 S * 9/2013 Kung et al. D34/7

* cited by examiner

(72) Inventors: **Patrick John Spivey**, Atlanta, GA (US);
Kenneth Charles Kreaflle, Atlanta, GA
(US)

Primary Examiner — Cynthia Ramirez

(57) **CLAIM**
The ornamental design for a nestable trash can, as shown and described.

(**) Term: **14 Years**

DESCRIPTION

(21) Appl. No.: **29/479,349**

FIG. 1 is a perspective front view of a nestable trash can;
FIG. 2 is a front elevation view of the nestable trash can;
FIG. 3 is a rear elevation view of the nestable trash can;
FIG. 4 is a left elevation view of the nestable trash can, right
elevation view is a mirror image thereof;
FIG. 5 is a top elevation view of the nestable trash can;
FIG. 6 is a bottom elevation view of the nestable trash can;
and,
FIG. 7 is an illustrative perspective front view of the nestable
trash can thereof.
The nestable trash can is shown without the lid in FIG. 7 for
convenience of illustration.
The broken lines showing additional nestable trash cans in
FIG. 7 depict environmental matter and form no part of the
claimed design.

(22) Filed: **Jan. 15, 2014**

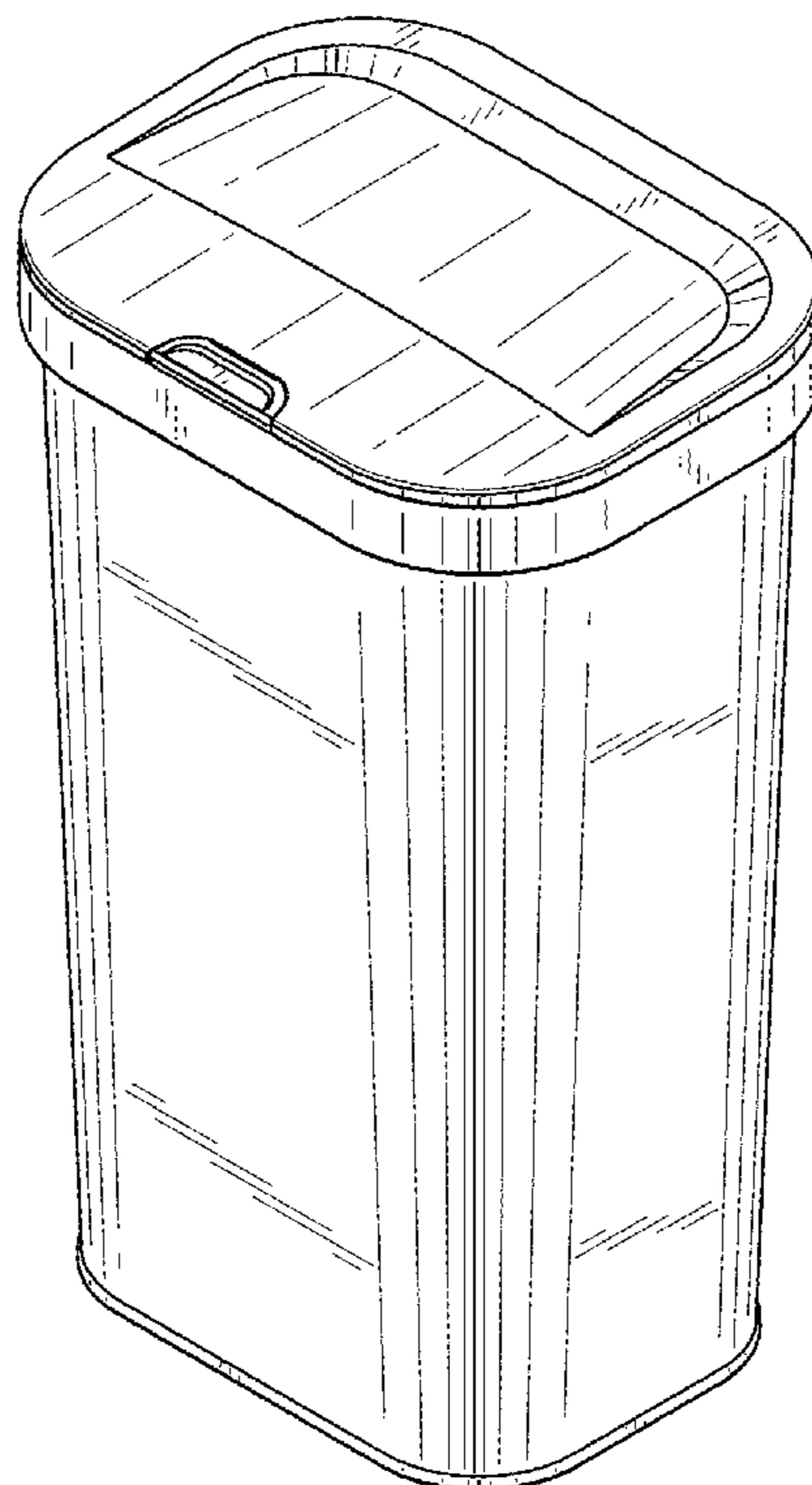
(51) **LOC (10) Cl.** **09-09**

(52) **U.S. Cl.**
USPC **D34/7**

(58) **Field of Classification Search**
USPC D34/1-11; 220/908, 908.1, 909, 911,
220/262-264

See application file for complete search history.

1 Claim, 4 Drawing Sheets



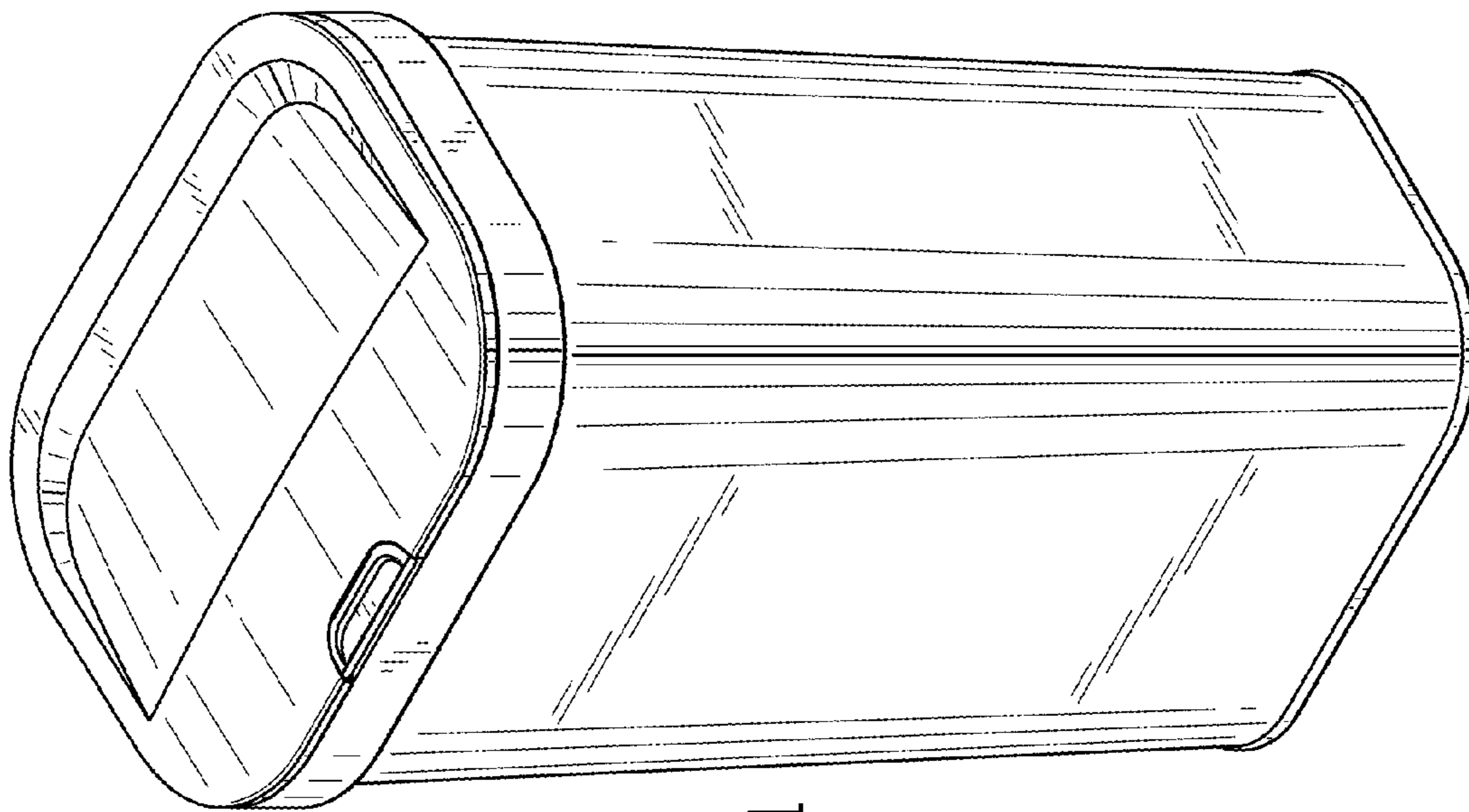


FIG. 1

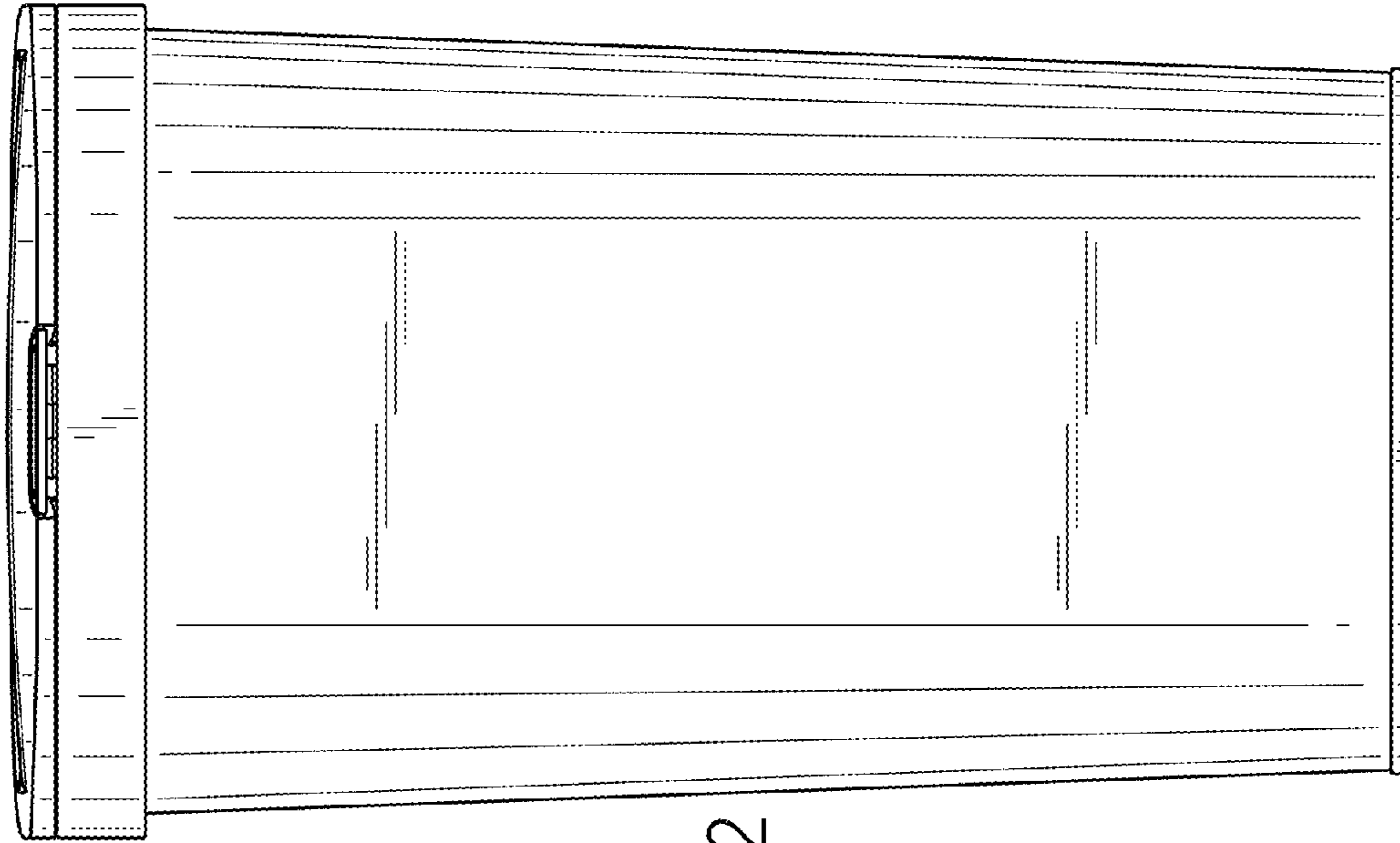


FIG. 2

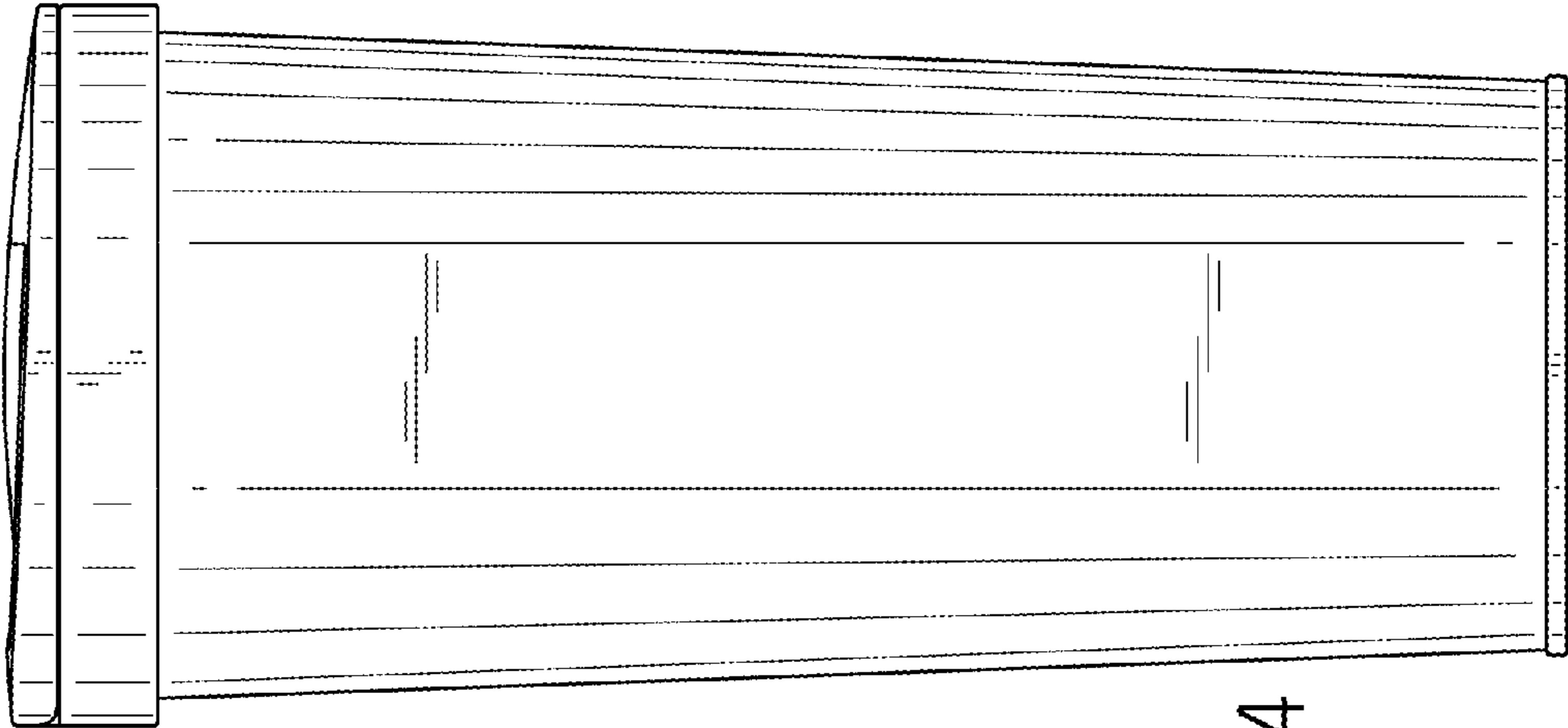


FIG. 4

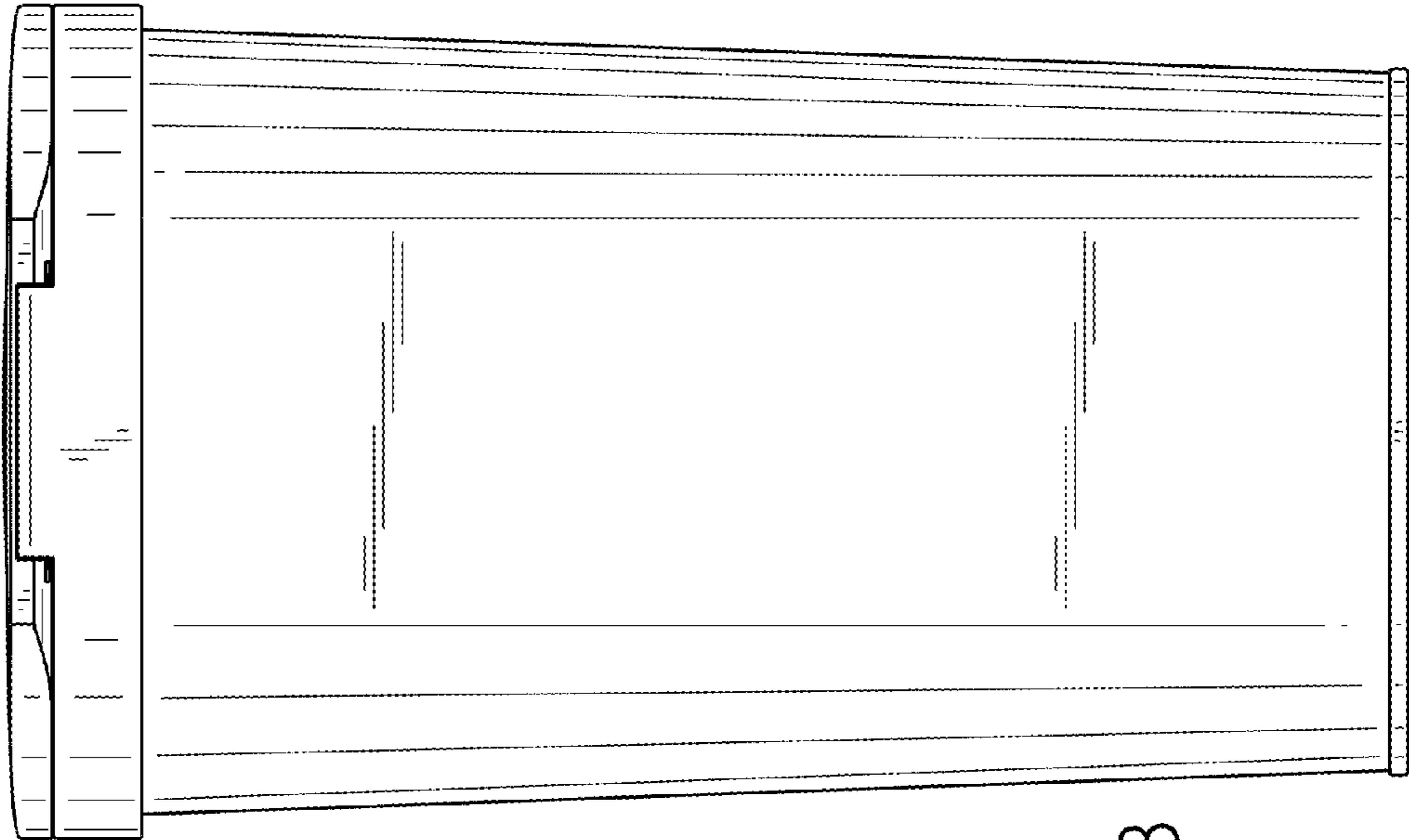


FIG. 3

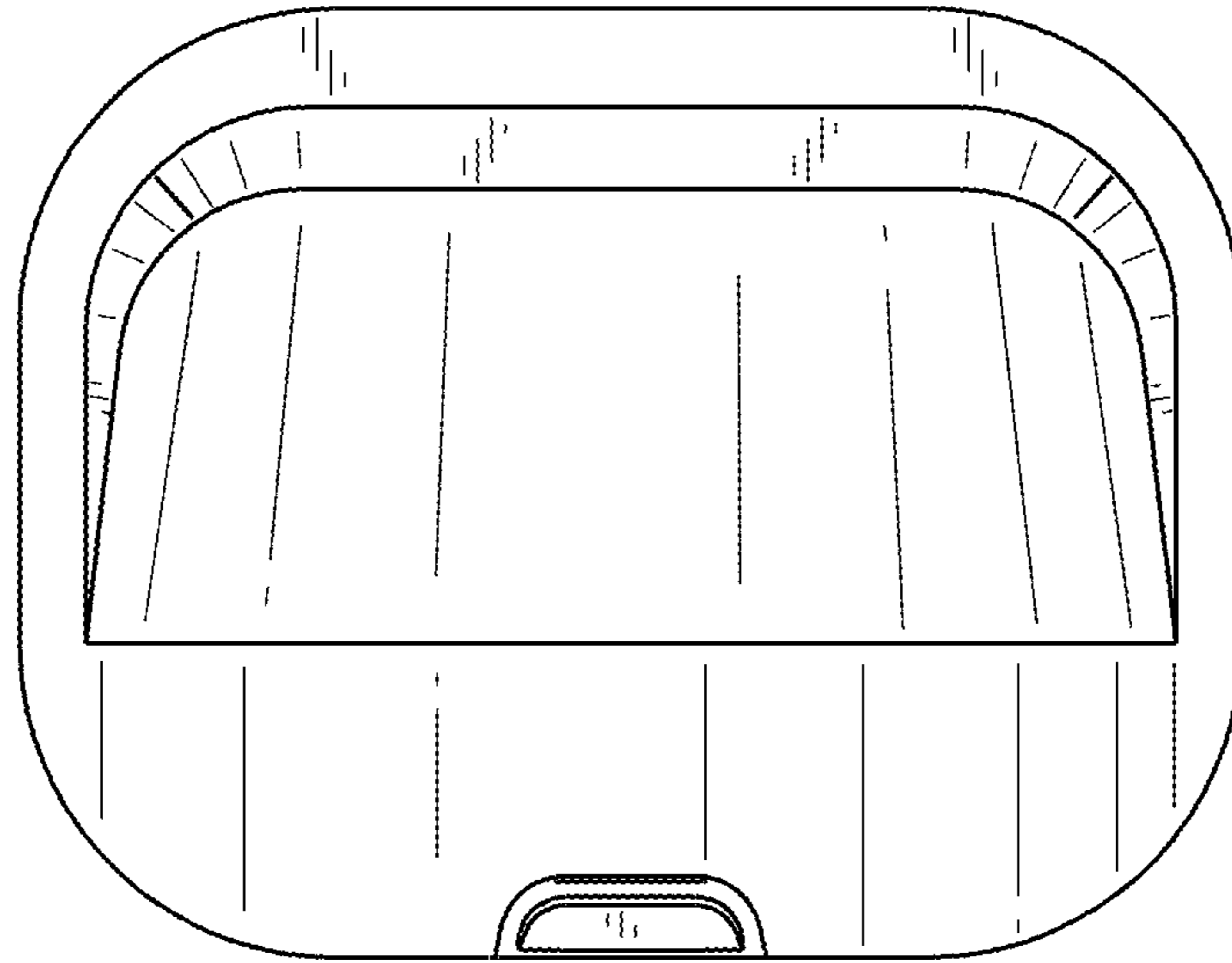


FIG. 5

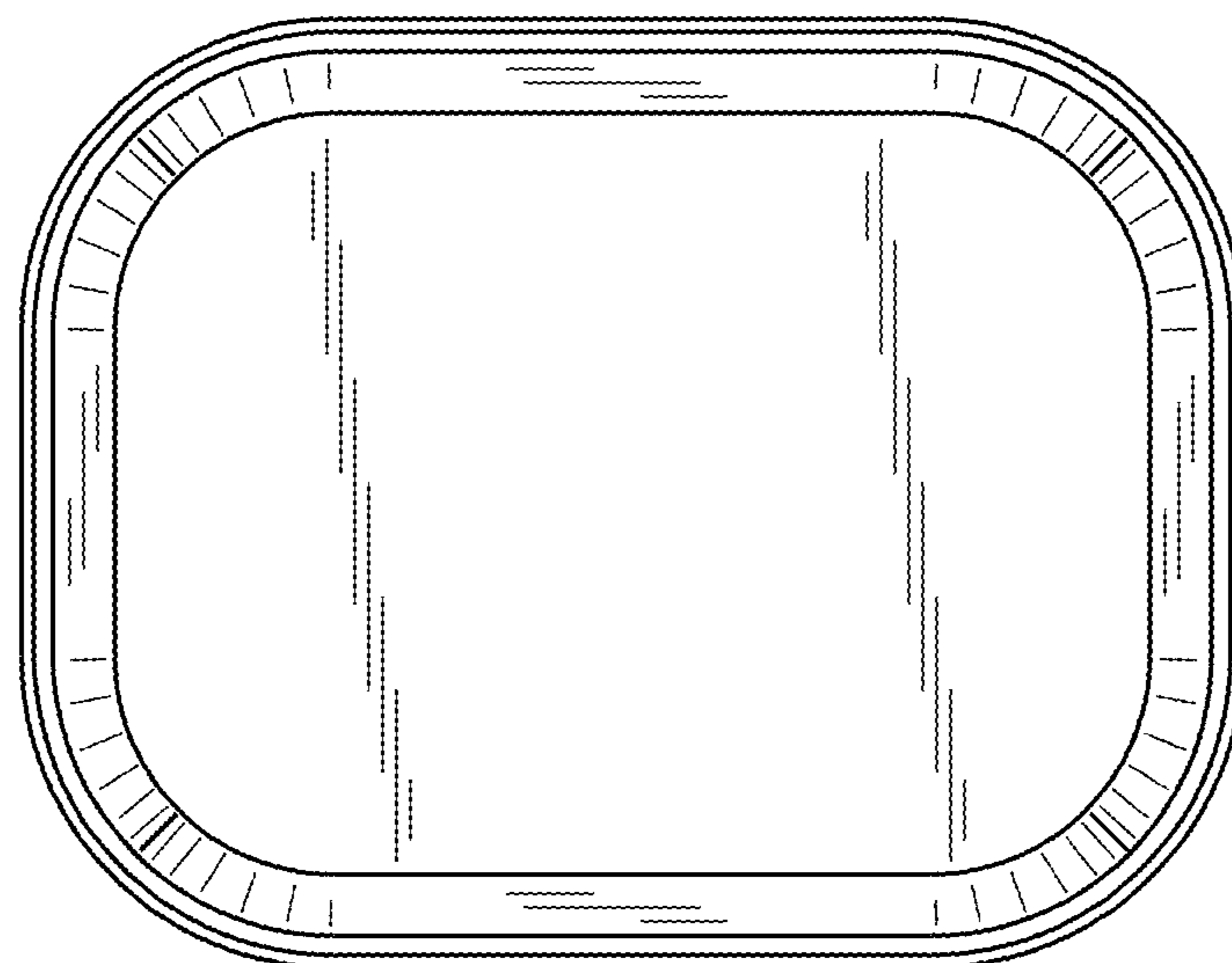


FIG. 6

FIG. 7

