



US00D725858S

(12) **United States Design Patent**
André

(10) **Patent No.:** **US D725,858 S**

(45) **Date of Patent:** **** Mar. 31, 2015**

(54) **BUILDING BLOCK WIPER**

(71) Applicant: **Intermed Asia Limited**, Hung Hom,
Kowloon (HK)

(72) Inventor: **Oliver André**, Pok Fu Lam (HK)

(73) Assignee: **Intermed Asia Limited**, Hung Hom,
Kowloon (HK)

(**) Term: **14 Years**

(21) Appl. No.: **29/478,509**

(22) Filed: **Jan. 6, 2014**

(30) **Foreign Application Priority Data**

Jul. 16, 2013 (CN) 2013 3 0332351

(51) **LOC (10) Cl.** **04-01**

(52) **U.S. Cl.**
USPC **D32/43**

(58) **Field of Classification Search**
USPC D32/40-46; D28/7, 63;
15/244.1-244.4, 1, 210.1, 208, 209.1,
15/227; D21/484, 486

See application file for complete search history.

(56) **References Cited**

U.S. PATENT DOCUMENTS

D308,706	S	*	6/1990	Mikkelsen	D21/486
D326,874	S	*	6/1992	Dideriksen et al.	D21/486
D378,838	S	*	4/1997	Olsen et al.	D21/486
7,210,188	B1	*	5/2007	Kirby	15/244.4
D553,202	S	*	10/2007	Glickman et al.	D21/486
D564,603	S	*	3/2008	Glickman et al.	D21/486
D688,328	S	*	8/2013	Holm	D21/484
D696,360	S	*	12/2013	Holm	D21/484
8,739,352	B2	*	6/2014	Smith	15/210.1

* cited by examiner

Primary Examiner — Robin V Webster

(74) *Attorney, Agent, or Firm* — Merchant & Gould P.C.

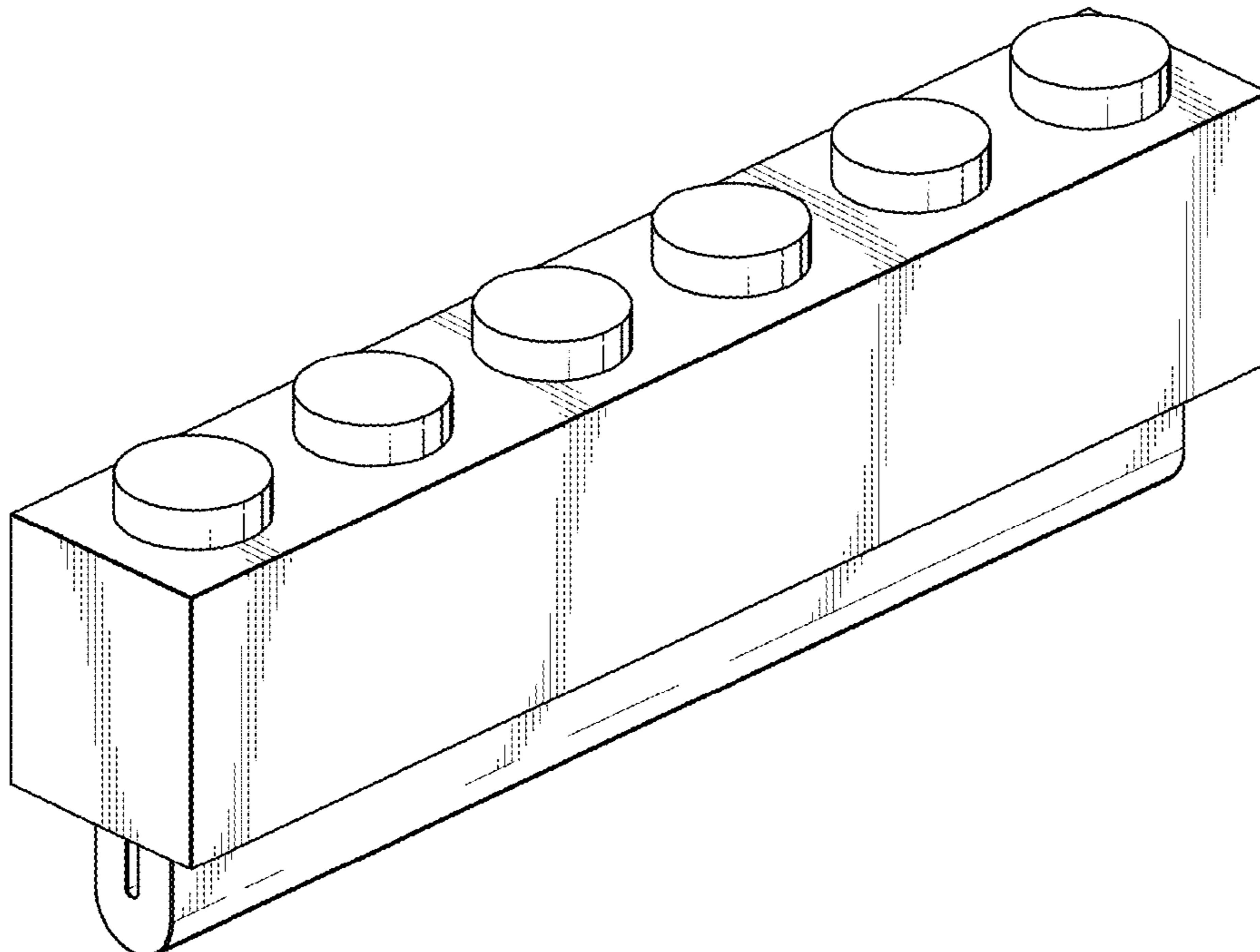
(57) **CLAIM**

The ornamental design for a building block wiper, as shown and described.

DESCRIPTION

FIG. 1 is a front perspective view of showing a building block wiper;
FIG. 2 is a rear perspective view thereof;
FIG. 3 is a top view thereof;
FIG. 4 is a front view thereof;
FIG. 5 is a bottom view thereof;
FIG. 6 is a rear view thereof; and,
FIG. 7 is a right side view thereof, a left side view not being shown as it is a mirror image of the right side view.

1 Claim, 3 Drawing Sheets



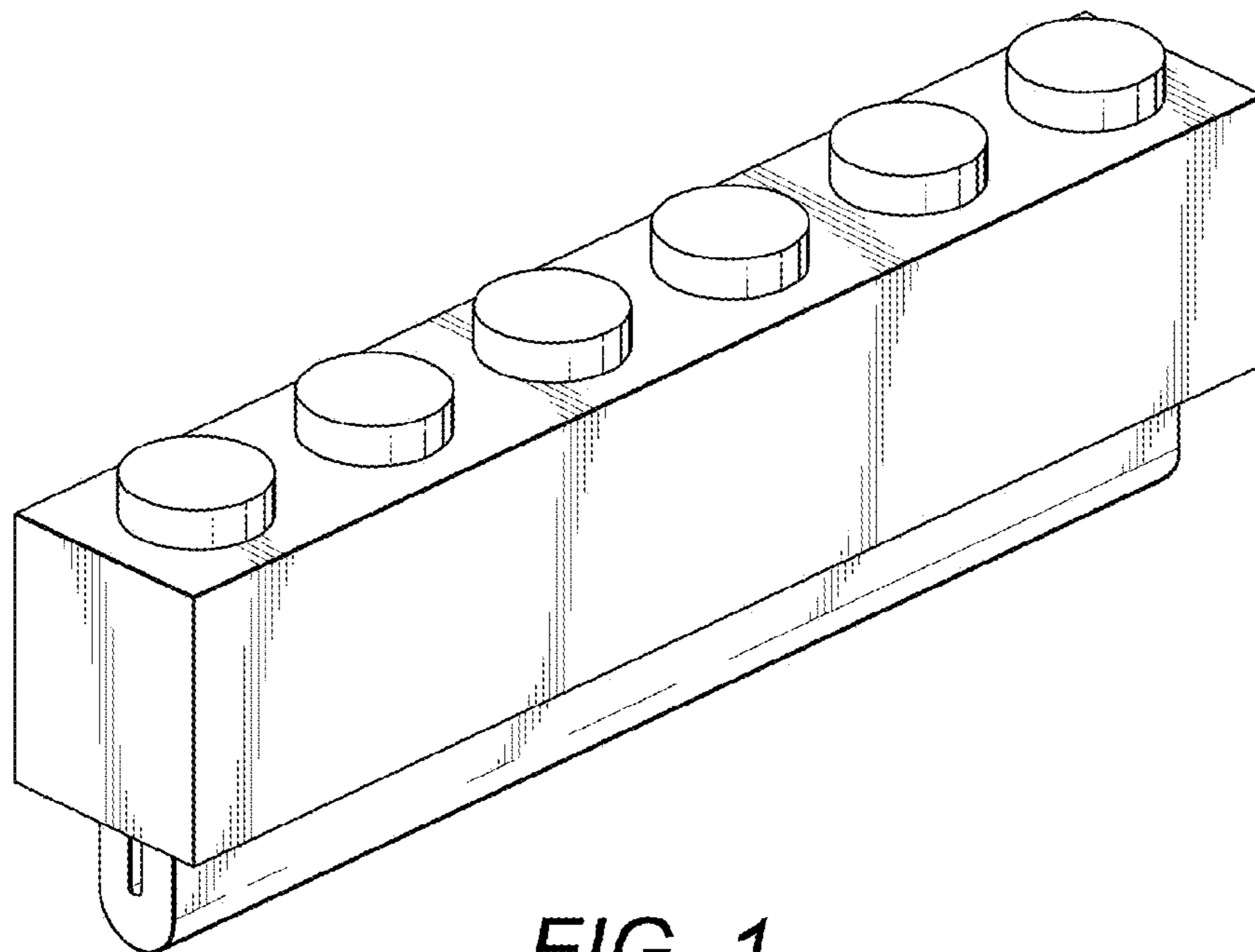


FIG. 1

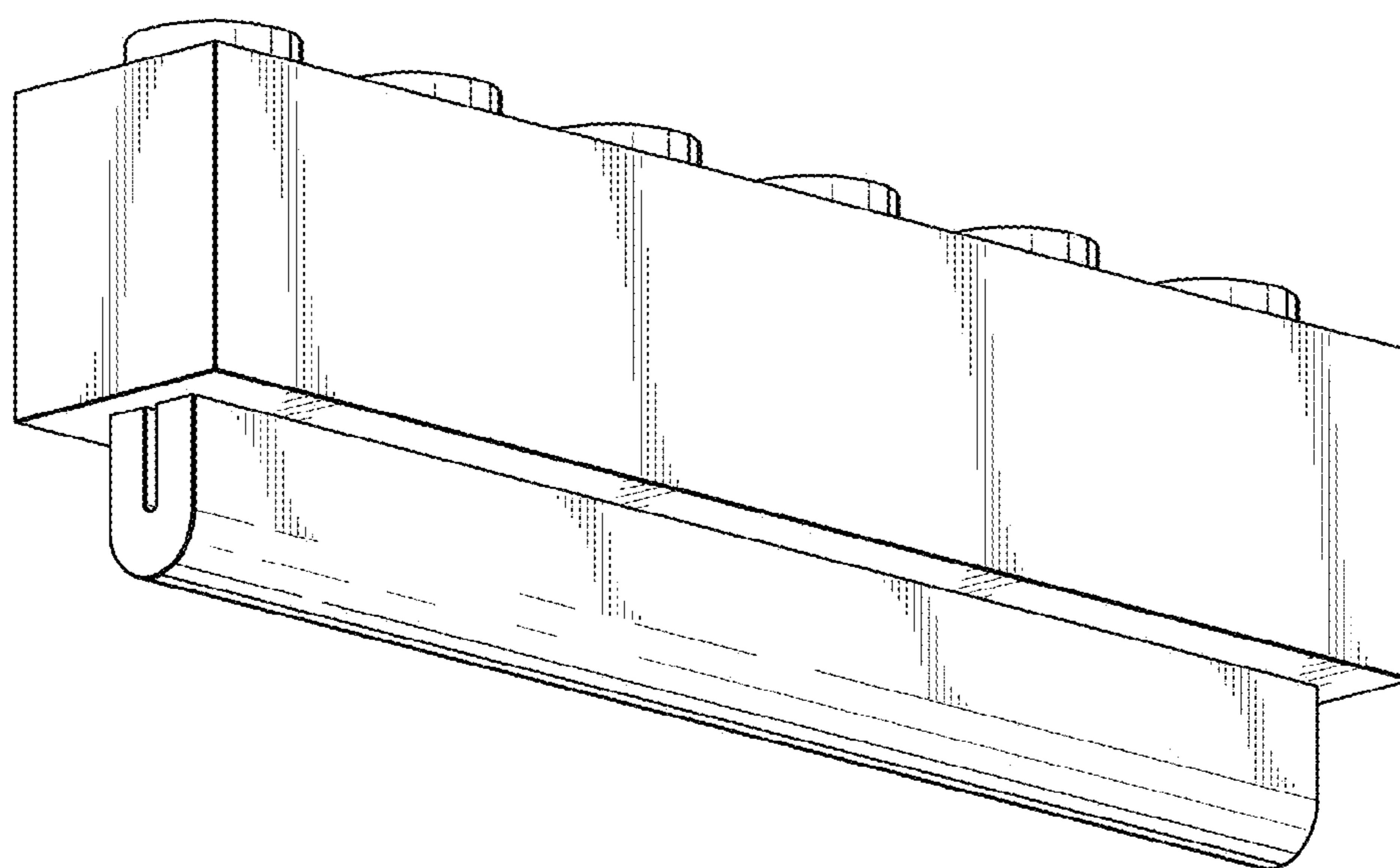


FIG. 2

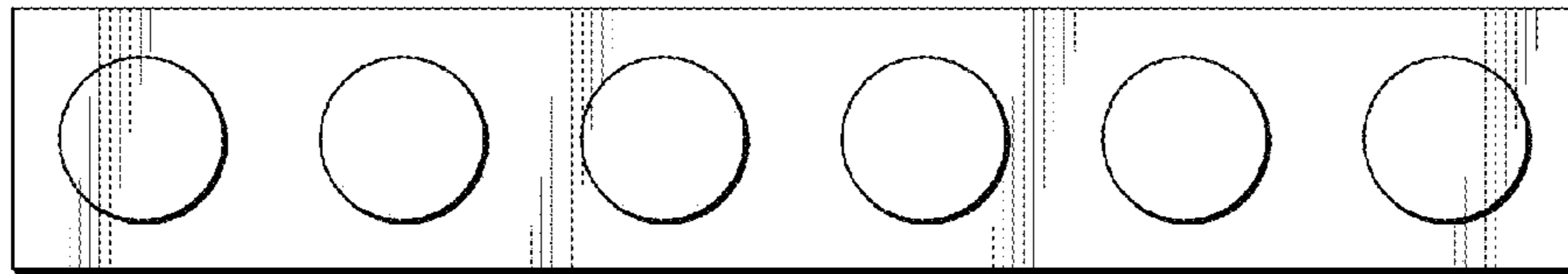


FIG. 3

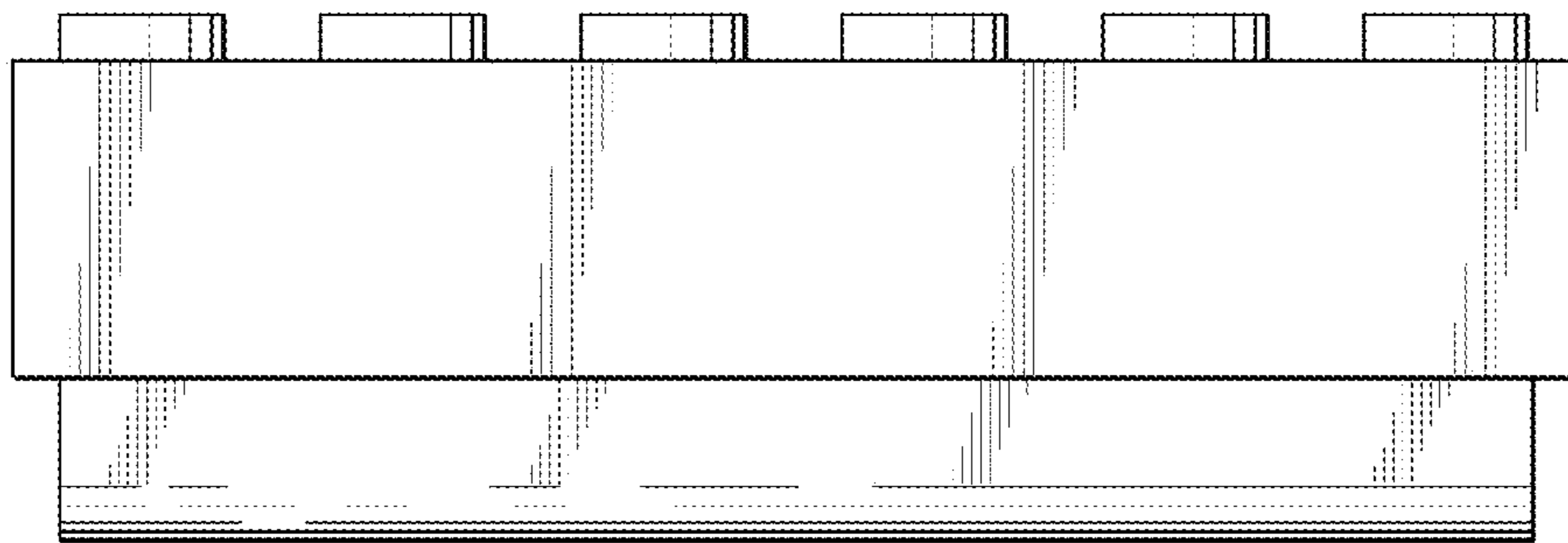


FIG. 4

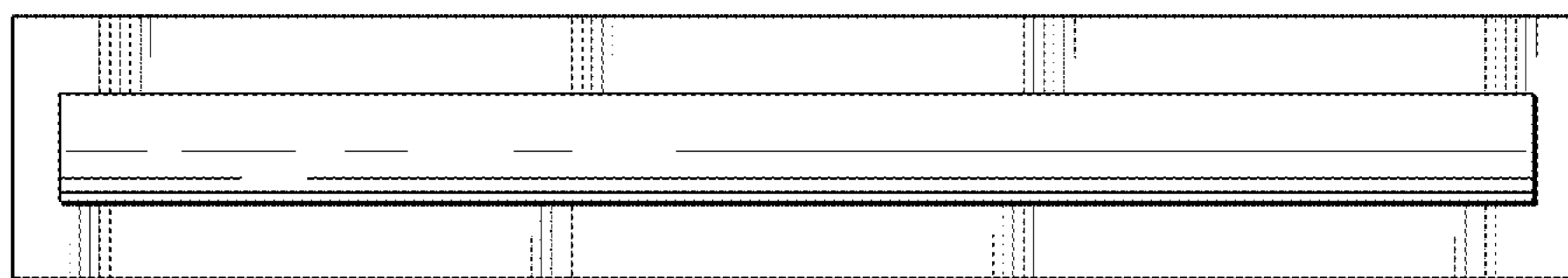


FIG. 5

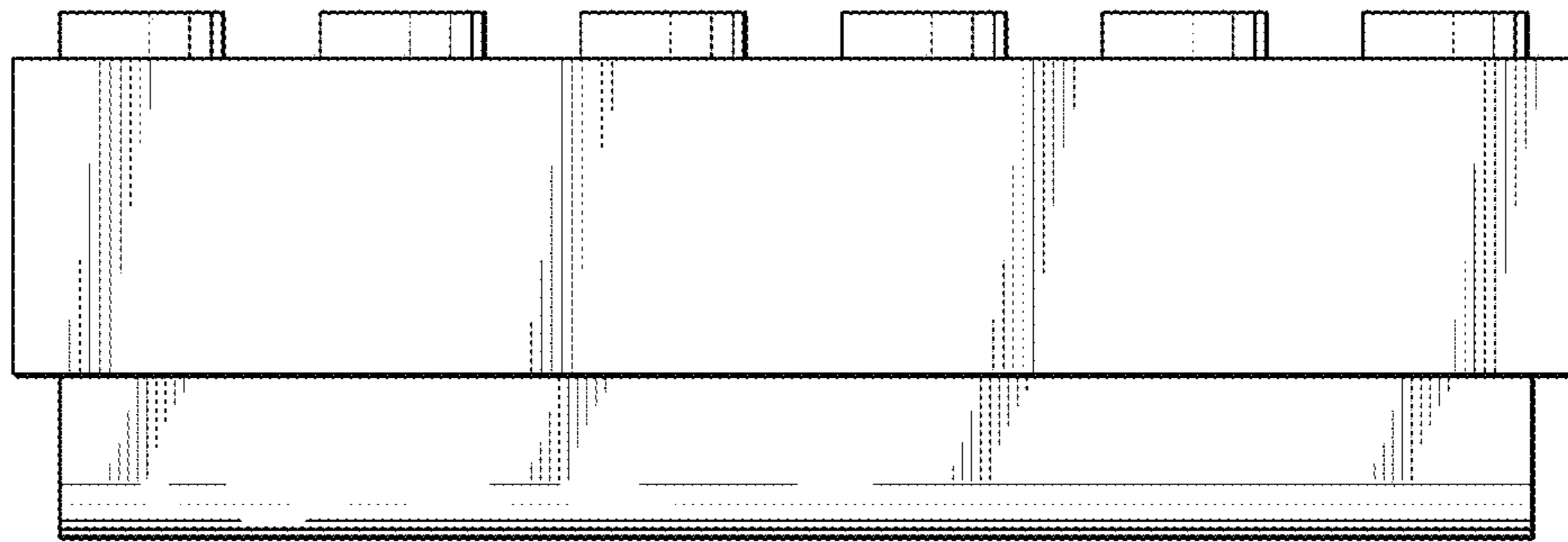


FIG. 6

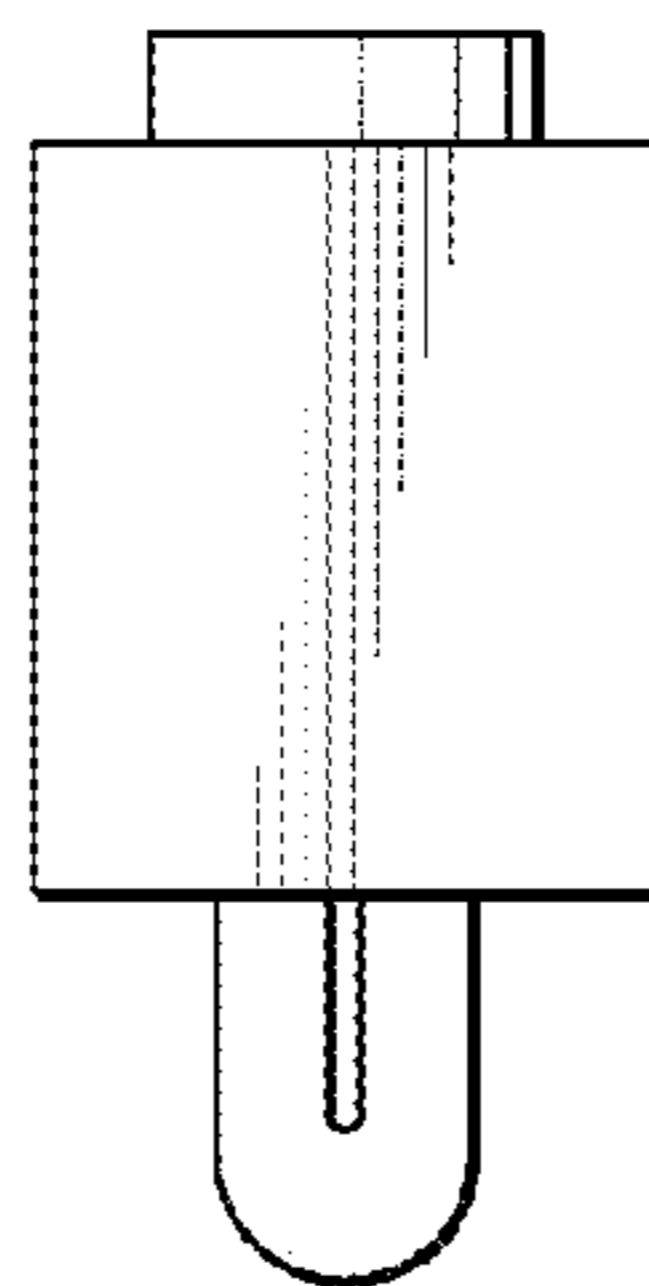


FIG. 7