



US00D725857S

(12) **United States Design Patent**
Bennett et al.

(10) **Patent No.:** **US D725,857 S**
(45) **Date of Patent:** **** Mar. 31, 2015**

(54) **HANDLE CONNECTOR**

(71) Applicant: **Techtronic Floor Care Technology Limited**, Tortola (VG)
(72) Inventors: **Samuel William Bennett**, Bristol (GB); **Jennifer Kathryn Marsden**, Birmingham (GB); **Robert Alexander Hankin**, Leicester (GB)
(73) Assignee: **Techtronic Floor Care Technology Limited**, Tortola (VG)

(**) Term: **14 Years**

(21) Appl. No.: **29/486,107**

(22) Filed: **Mar. 26, 2014**

(30) **Foreign Application Priority Data**

Sep. 27, 2013 (EM) 002316943-0001

(51) **LOC (10) Cl.** **15-05**

(52) **U.S. Cl.**
USPC **D32/34**

(58) **Field of Classification Search**
USPC D32/15-16, 18-21, 22, 30-34; D15/18; D12/111, 114; 15/410-412, 246.2, 15/320, 329, 344, 350, 347, DIG. 10, 349, 15/351-353, 340.2, 361, 362; 55/DIG. 3, 55/323, 337, 429; D8/68-69
See application file for complete search history.

(56) **References Cited**

U.S. PATENT DOCUMENTS

D315,043 S * 2/1991 Hayden D32/34
5,109,568 A * 5/1992 Rohn et al. 15/410
D333,023 S * 2/1993 Herron, Jr. D32/34

D334,447 S * 3/1993 Rohn D32/34
D431,335 S * 9/2000 Mehaffey et al. D32/34
D543,325 S * 5/2007 Burnham D32/34
D565,266 S * 3/2008 Crevling et al. D32/34
D565,819 S * 4/2008 Renner D32/34
D611,666 S * 3/2010 Umeda D32/31
D641,113 S * 7/2011 Choi et al. D32/34
D641,114 S * 7/2011 Choi et al. D32/34
D642,755 S * 8/2011 Fjellman D32/34
D644,384 S * 8/2011 Santiago et al. D32/34
D644,385 S * 8/2011 Hare et al. D32/34
D670,056 S * 10/2012 Ventress et al. D32/34
8,671,517 B2 * 3/2014 Ventress et al. 15/410
2006/0026788 A1 * 2/2006 Fischer et al. 15/334

* cited by examiner

Primary Examiner — Ruth McInroy

(74) *Attorney, Agent, or Firm* — Michael Best & Friedrich LLP

(57) **CLAIM**

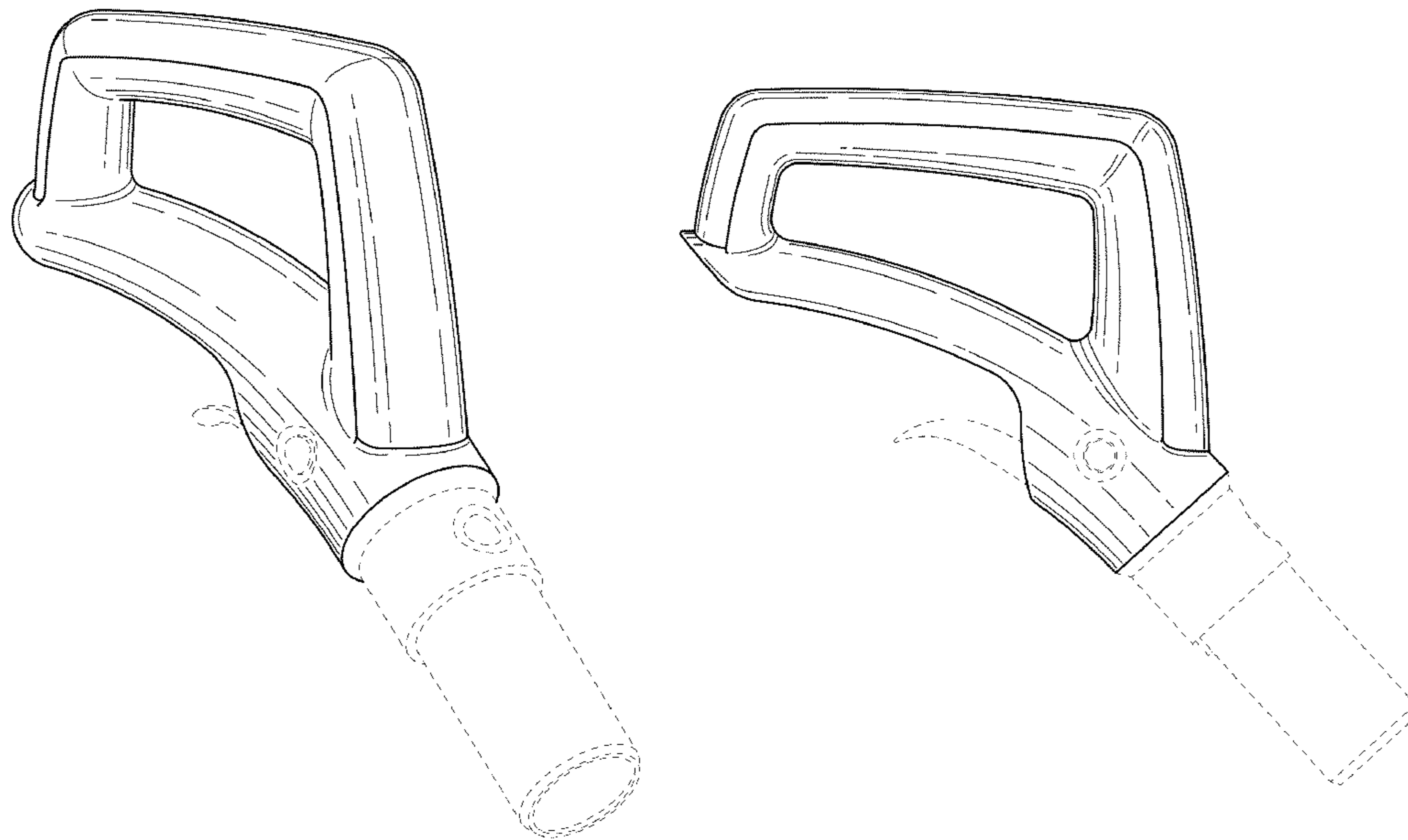
We claim the ornamental design for a handle connector, as shown and described.

DESCRIPTION

FIG. 1 is a front perspective view of a handle connector showing our new design;
FIG. 2 is a right side view thereof;
FIG. 3 is a left side view thereof;
FIG. 4 is a front view thereof;
FIG. 5 is a rear view thereof;
FIG. 6 is a top view thereof; and
FIG. 7 is a bottom view thereof.

The elements shown in broken lines are included for the purpose of illustrating environment and form no part of the claimed design.

1 Claim, 4 Drawing Sheets



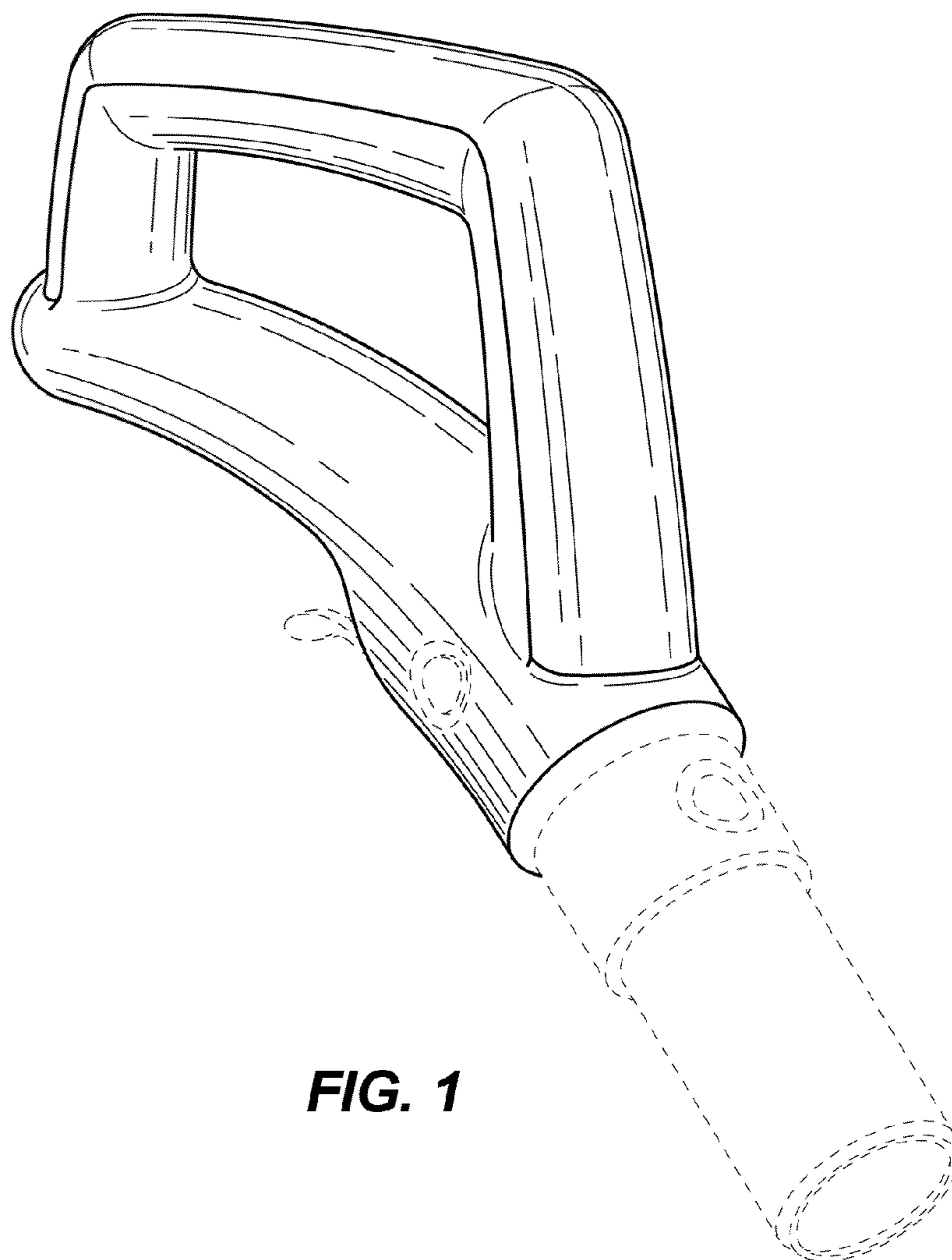


FIG. 1

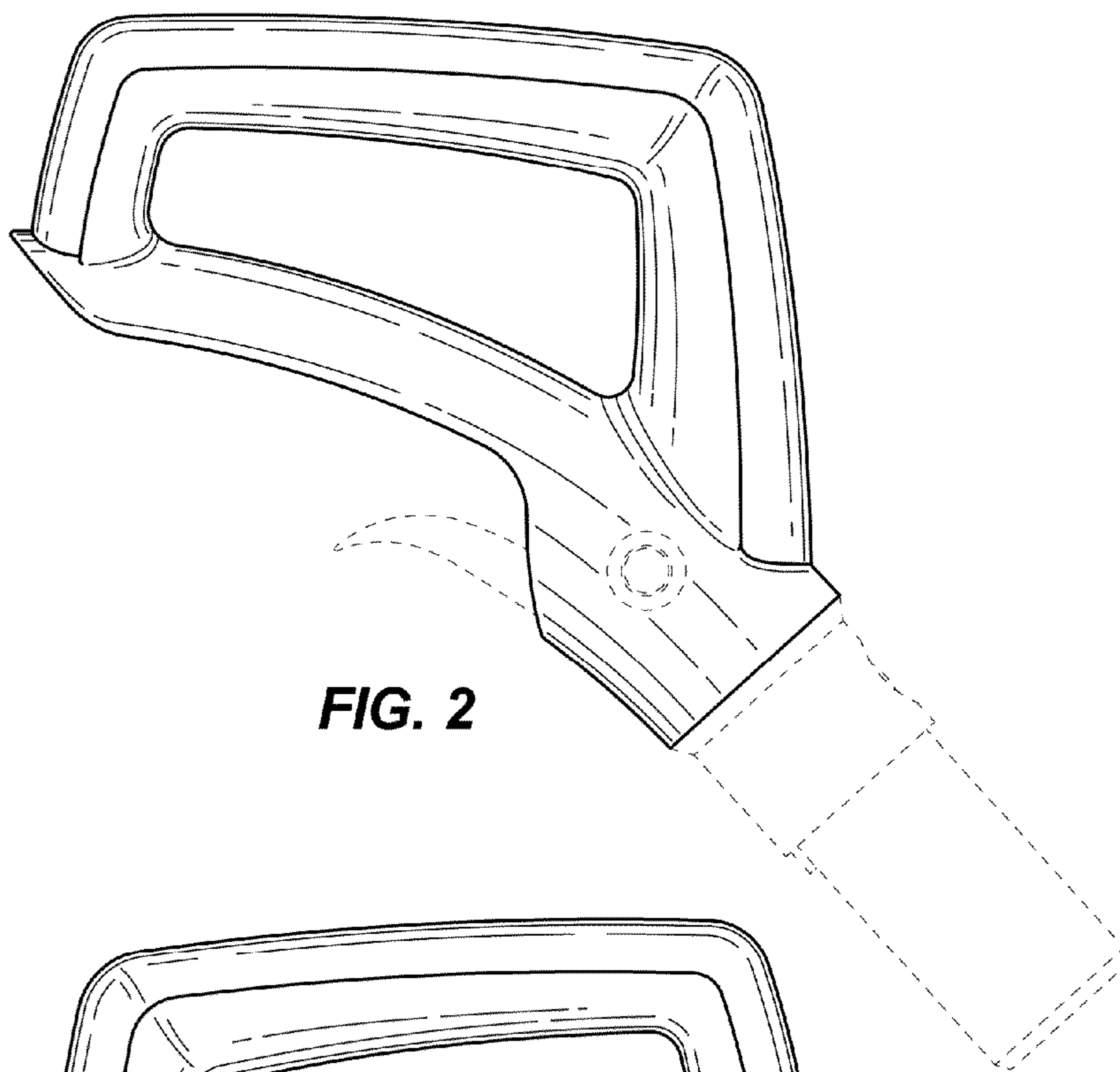


FIG. 2

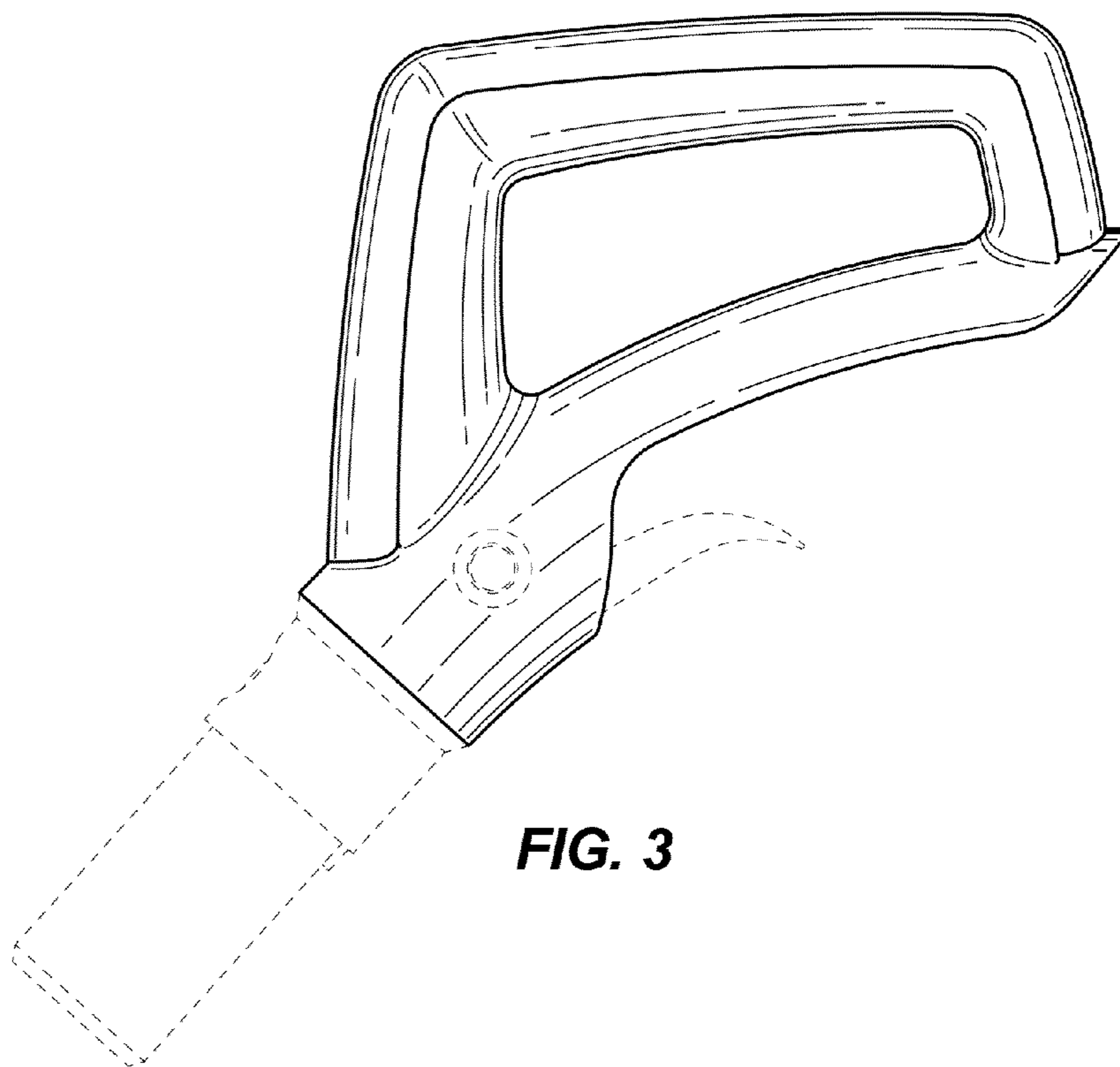


FIG. 3

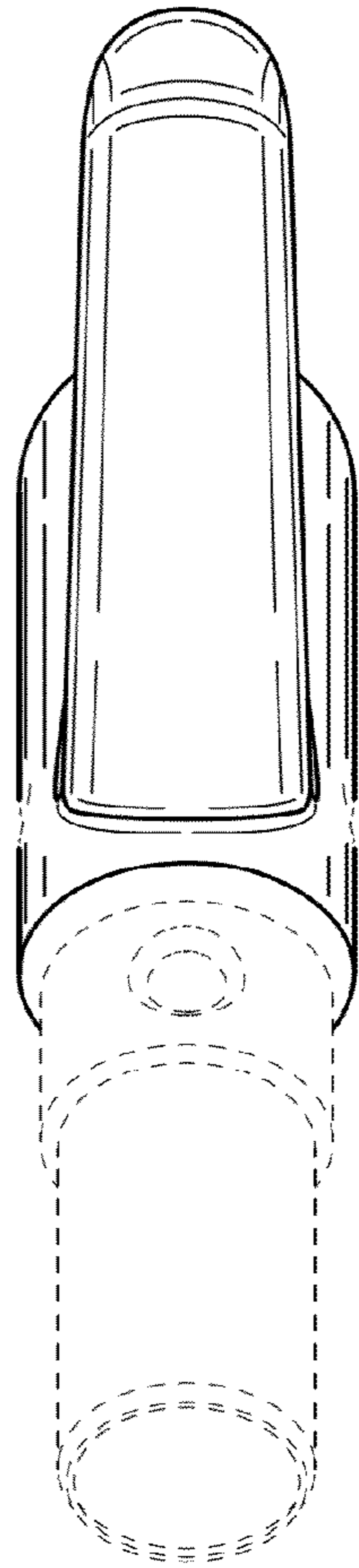


FIG. 4

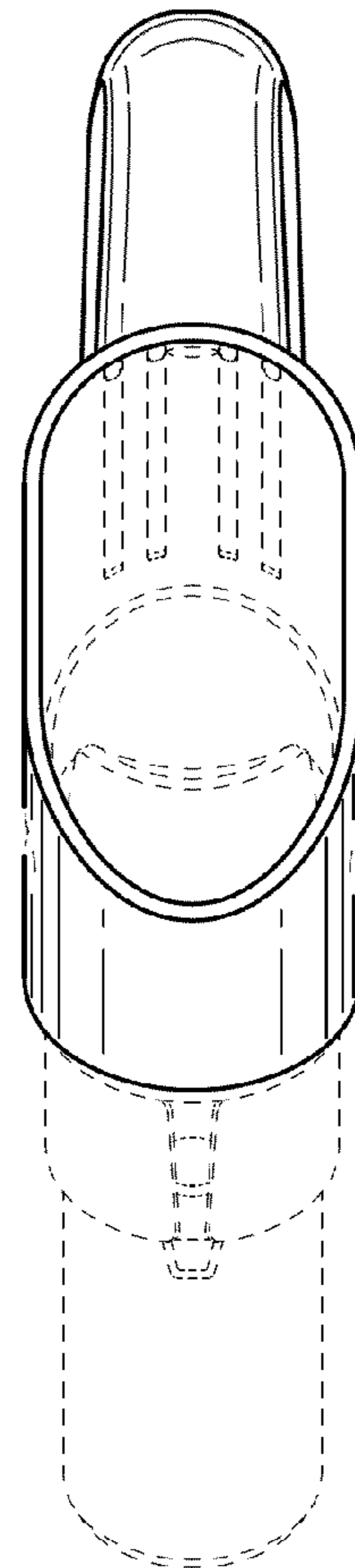


FIG. 5

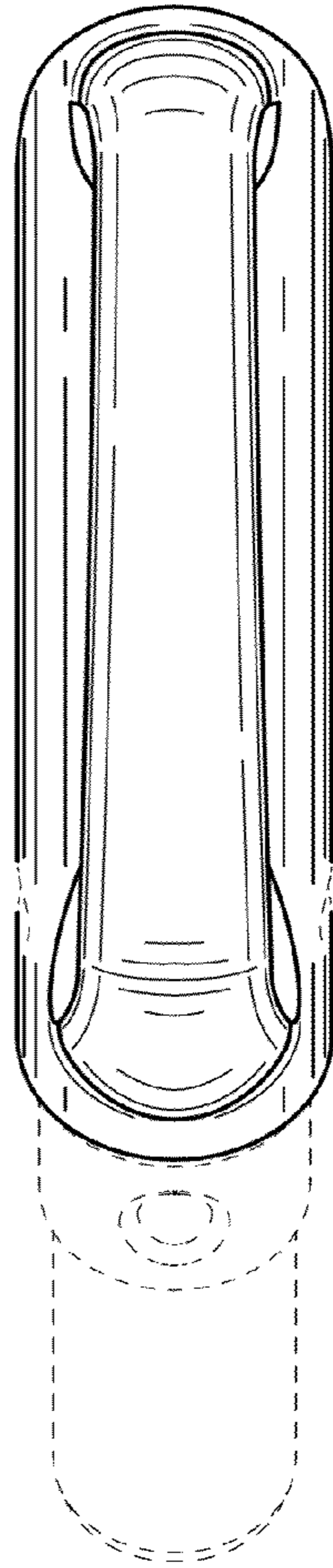


FIG. 6

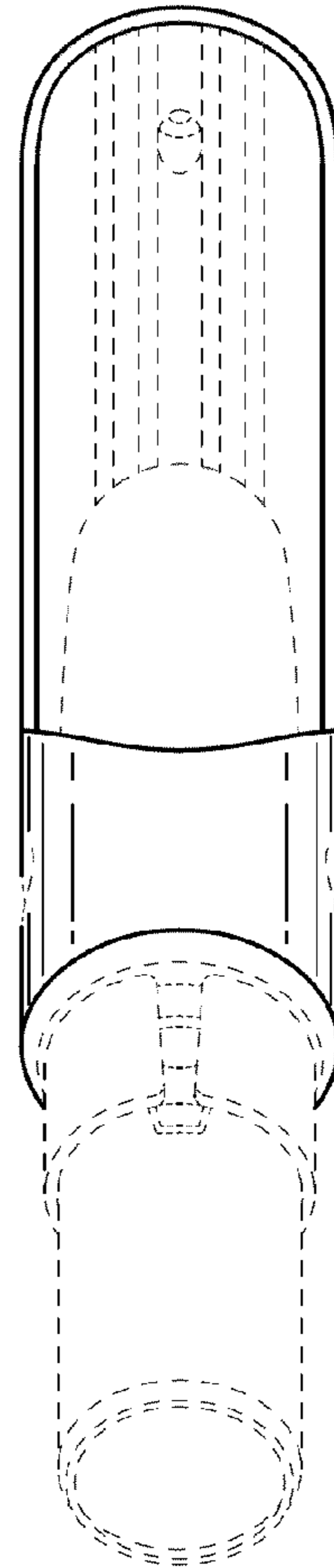


FIG. 7