



US00D725855S

(12) **United States Design Patent**
Burnham et al.

(10) **Patent No.:** **US D725,855 S**
(45) **Date of Patent:** **** Mar. 31, 2015**

(54) **UPRIGHT VACUUM CLEANER**

(71) Applicant: **Techtronic Floor Care Technology Limited**, Tortola (VG)
(72) Inventors: **Gavin Burnham**, Birmingham (GB);
Jake Tyler, Birmingham (GB);
Matthew James Ward, East Yorkshire (GB)
(73) Assignee: **Techtronic Floor Care Technology Limited**, Tortola (VG)

(**) Term: **14 Years**
(21) Appl. No.: **29/467,575**
(22) Filed: **Sep. 20, 2013**

(30) **Foreign Application Priority Data**
Apr. 10, 2013 (CN) 2013 3 0106230
(51) **LOC (10) Cl.** **15-05**
(52) **U.S. Cl.**
USPC **D32/31**
(58) **Field of Classification Search**
USPC D32/15-16, 18-21, 22, 30-34; D15/18;
D12/111, 114; 15/410-412, 246.2,
15/320, 329, 344, 350, 347, DIG. 10, 349,
15/351-353, 340.2, 361, 362; 55/DIG. 3,
55/323, 337, 429; D8/68-69
See application file for complete search history.

(56) **References Cited**

U.S. PATENT DOCUMENTS

D488,894	S	*	4/2004	Leyden	D32/22
D509,934	S	*	9/2005	Santiago et al.	D32/31
D537,584	S	*	2/2007	Greene et al.	D32/22
D562,509	S	*	2/2008	Lee	D32/22
D633,264	S	*	2/2011	Lee	D32/22
D647,263	S	*	10/2011	Luebbering et al.	D32/22
D652,589	S	*	1/2012	Lee	D32/22
D660,532	S	*	5/2012	Kim	D32/22
D684,326	S	*	6/2013	Okabe et al.	D32/22
D695,980	S	*	12/2013	Thorne	D32/22
2007/0209151	A1	*	9/2007	Gogel et al.	15/352

* cited by examiner

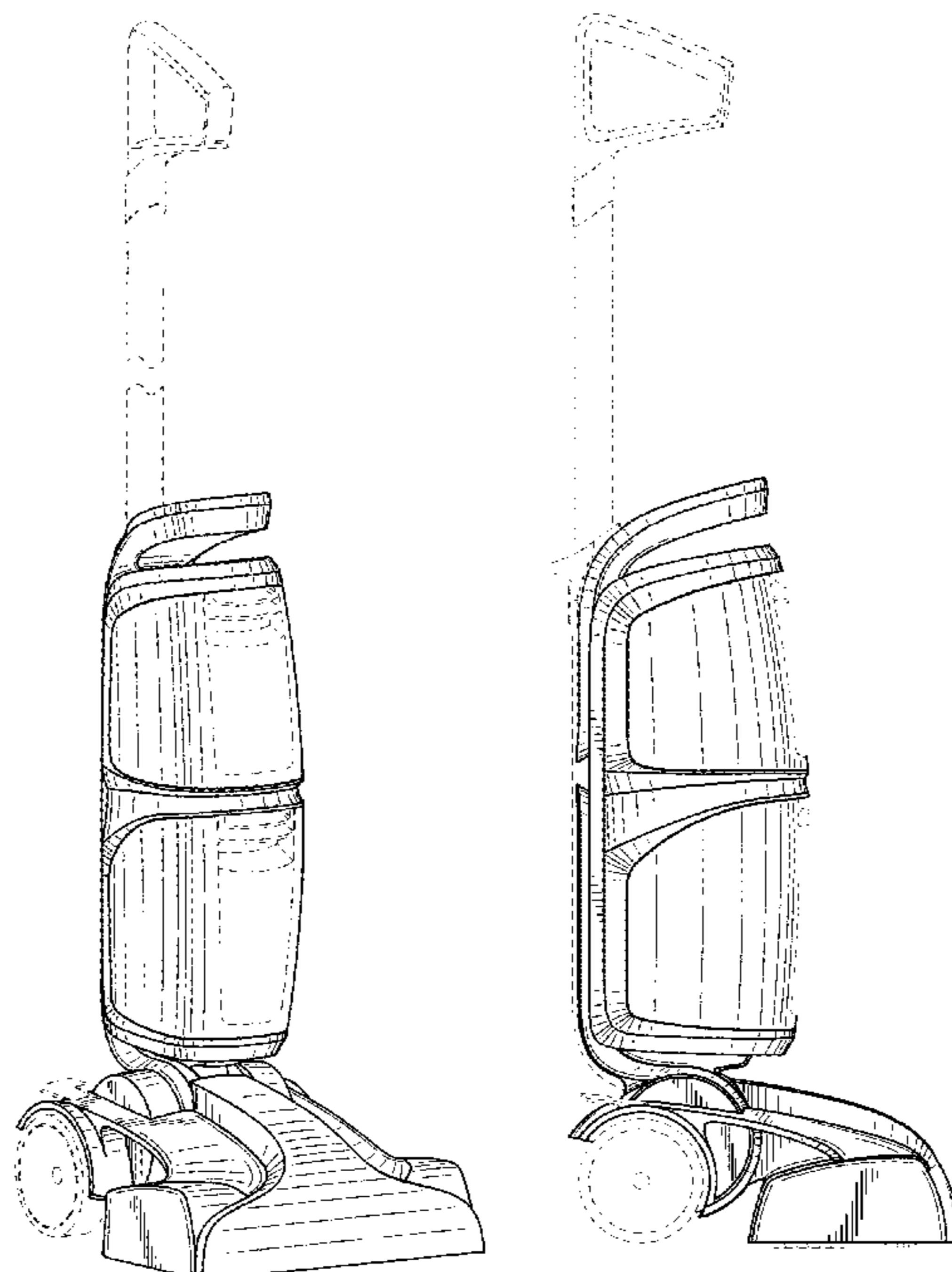
Primary Examiner — Ruth McInroy
(74) *Attorney, Agent, or Firm* — Michael Best & Friedrich LLP

(57) **CLAIM**
We claim the ornamental design for an upright vacuum cleaner, as shown and described.

DESCRIPTION

FIG. 1 is a front perspective view of an upright vacuum cleaner showing our new design;
FIG. 2 is a rear perspective view thereof;
FIG. 3 is a right side view thereof;
FIG. 4 is a left side view thereof;
FIG. 5 is a front view thereof;
FIG. 6 is a rear view thereof; and,
FIG. 7 is a top view thereof.
The elements shown in broken lines are included for the purpose of illustrating environment and form no part of the claimed design.

1 Claim, 6 Drawing Sheets



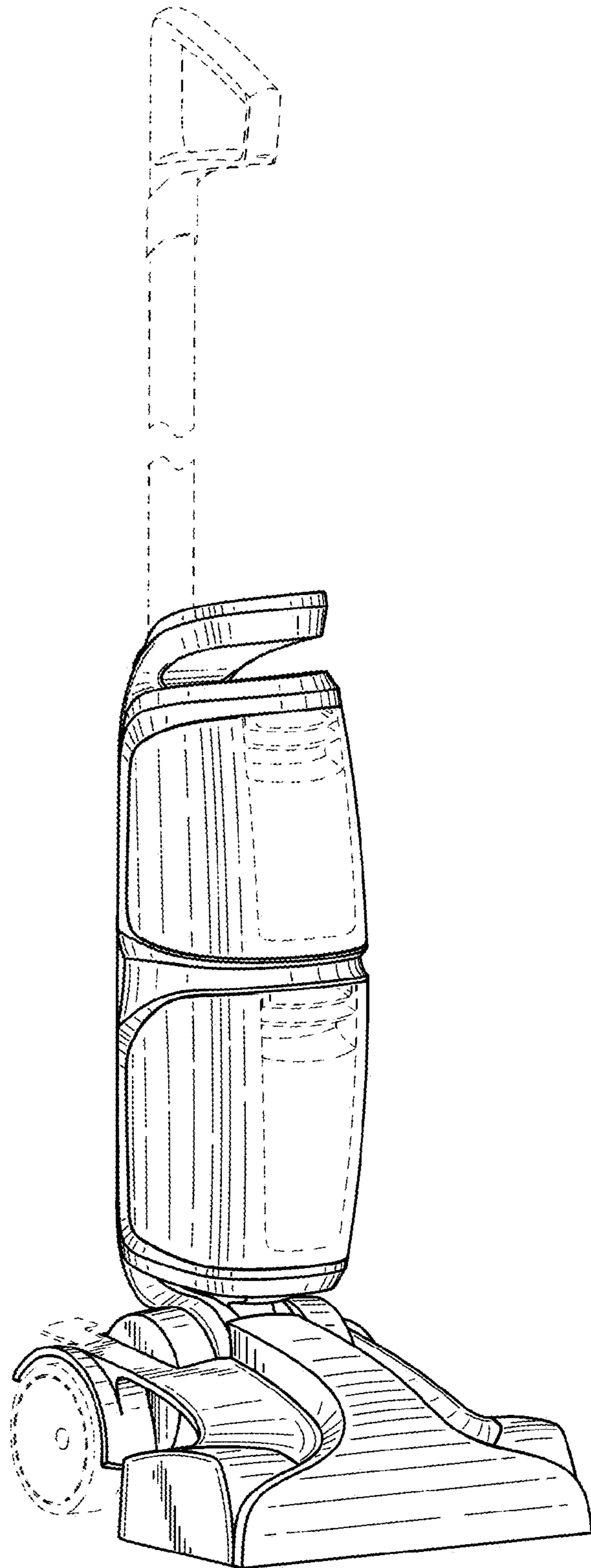


FIG. 1

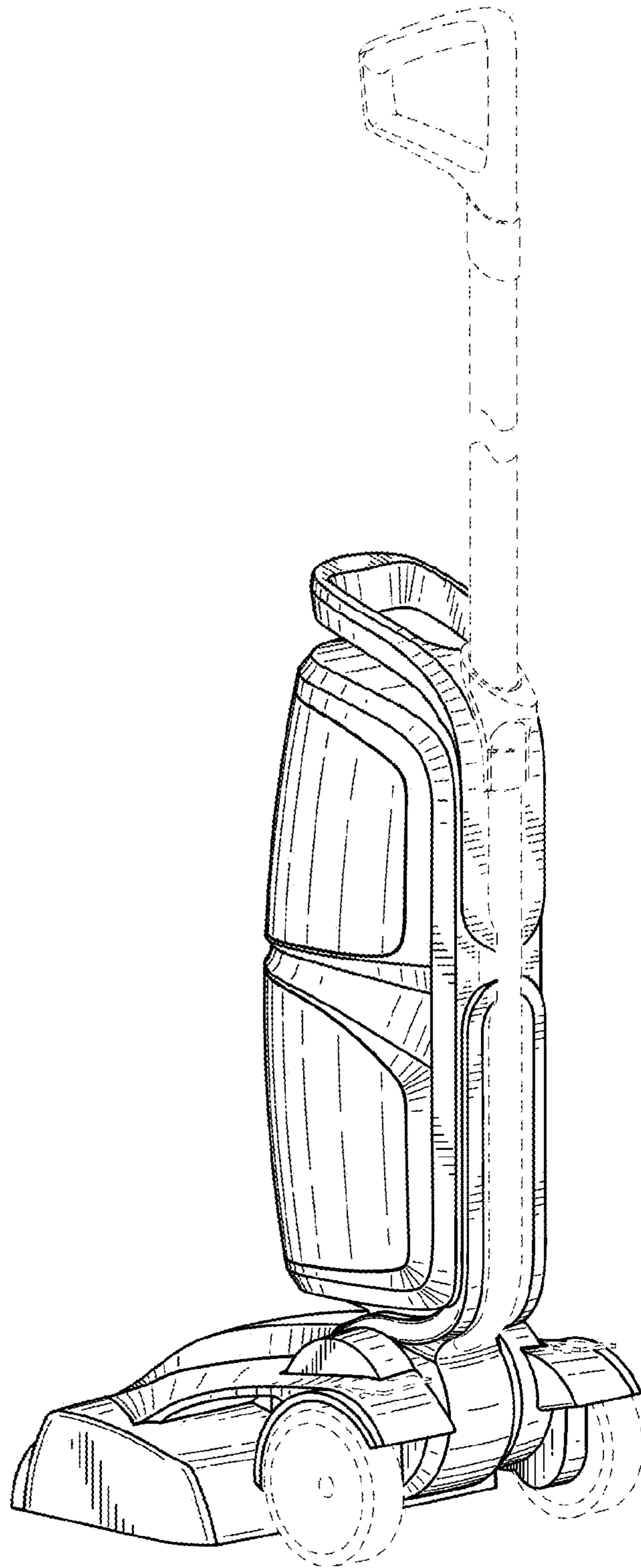


FIG. 2

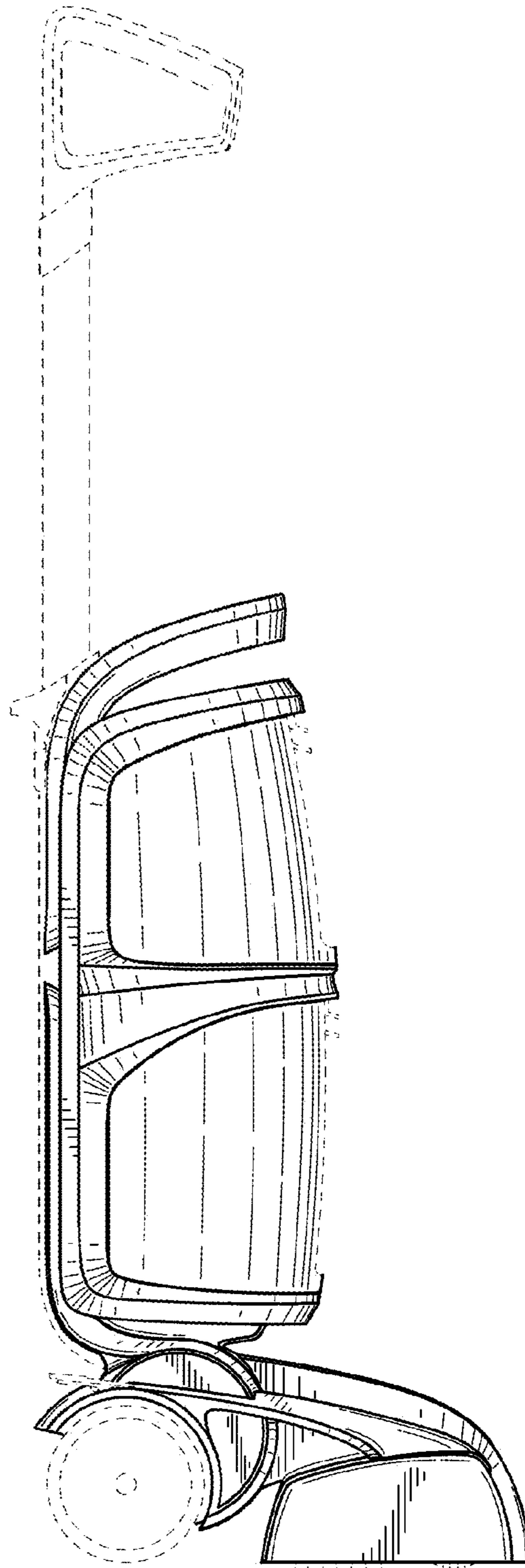


FIG. 3

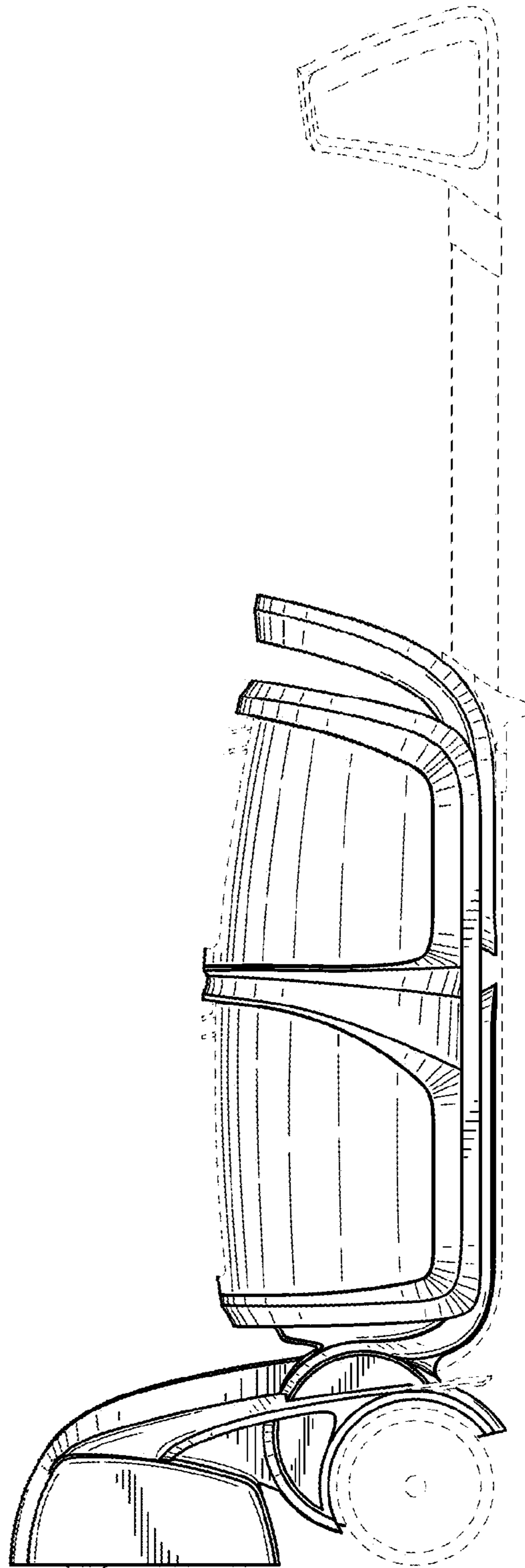


FIG. 4

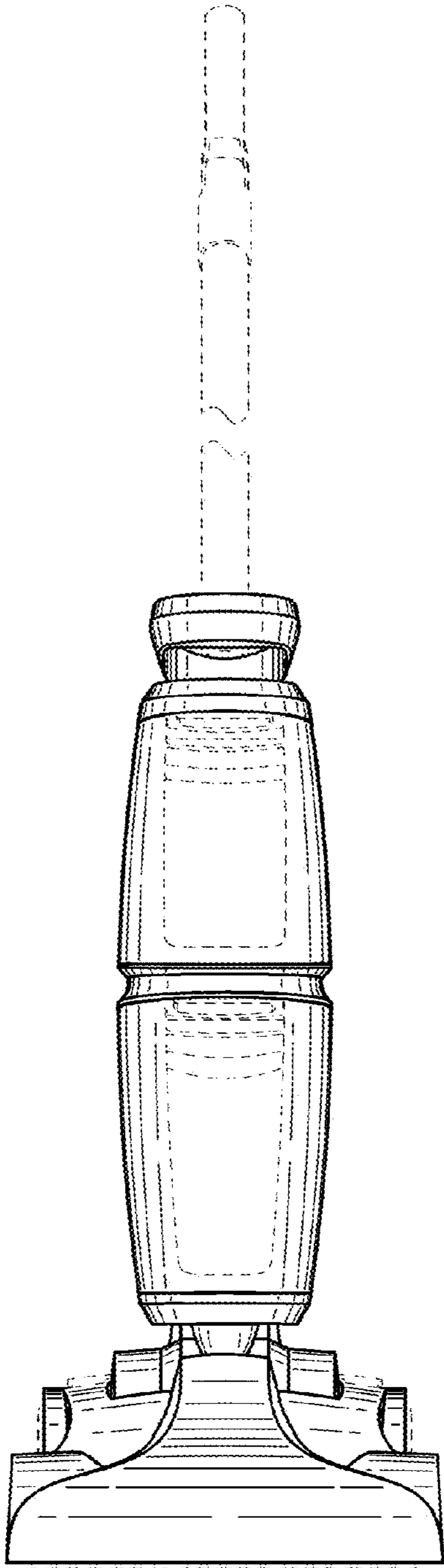


FIG. 5

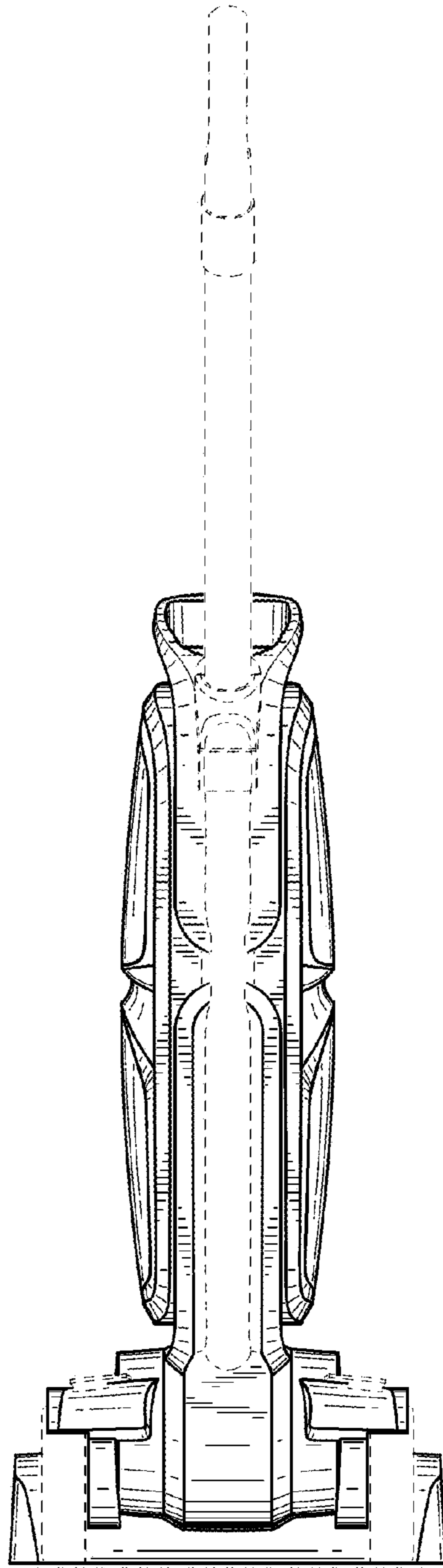


FIG. 6

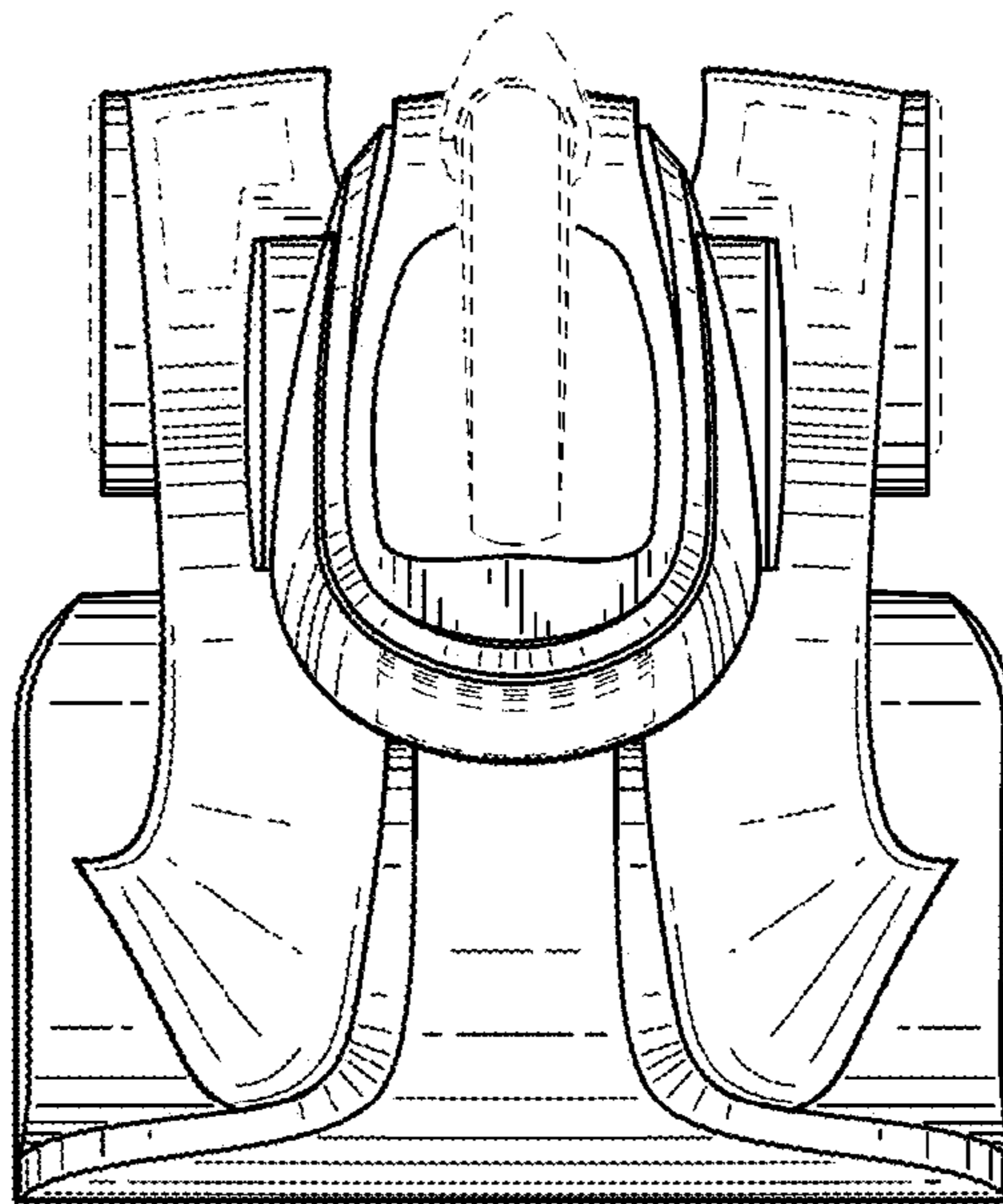


FIG. 7