



US00D725854S

(12) **United States Design Patent**  
**Yoshitomi**

(10) **Patent No.:** **US D725,854 S**  
(45) **Date of Patent:** **\*\* Mar. 31, 2015**

- (54) **ELECTRIC VACUUM CLEANER**
- (71) Applicant: **Oak Lawn Marketing, Inc.**, Nagoya (JP)
- (72) Inventor: **Junichi Yoshitomi**, Matsudo (JP)
- (73) Assignee: **Oak Lawn Marketing, Inc.**, Nagoya Aichi (JP)
- (\*\*) Term: **14 Years**
- (21) Appl. No.: **29/468,641**
- (22) Filed: **Oct. 1, 2013**
- (51) **LOC (10) Cl.** ..... **15-05**
- (52) **U.S. Cl.**  
USPC ..... **D32/22**
- (58) **Field of Classification Search**  
CPC ... A47L 7/0004; A47L 11/34; A47L 11/4036;  
A47L 11/4041; A47L 7/0023; A47L 11/30  
USPC ..... D32/21-24, 32-34; 15/353, 320-321,  
15/323, 340.2, 412, 339, 327.1-327.7  
See application file for complete search history.

7,774,894	B2 *	8/2010	Rippl et al.	15/320
D653,825	S *	2/2012	Cho et al.	D32/22
2004/0134016	A1 *	7/2004	Kisela et al.	15/320
2004/0139572	A1 *	7/2004	Kisela et al.	15/320
2007/0079470	A1 *	4/2007	Rippl et al.	15/320
2007/0209138	A1 *	9/2007	Tran et al.	15/320
2007/0209139	A1 *	9/2007	Carlucci et al.	15/322
2013/0318725	A1 *	12/2013	Kellis et al.	8/137

\* cited by examiner

*Primary Examiner* — Ruth McInroy

(74) *Attorney, Agent, or Firm* — Orrick, Herrington & Sutcliffe, LLP

(57) **CLAIM**

The ornamental design for an electric vacuum cleaner, as shown and described.

**DESCRIPTION**

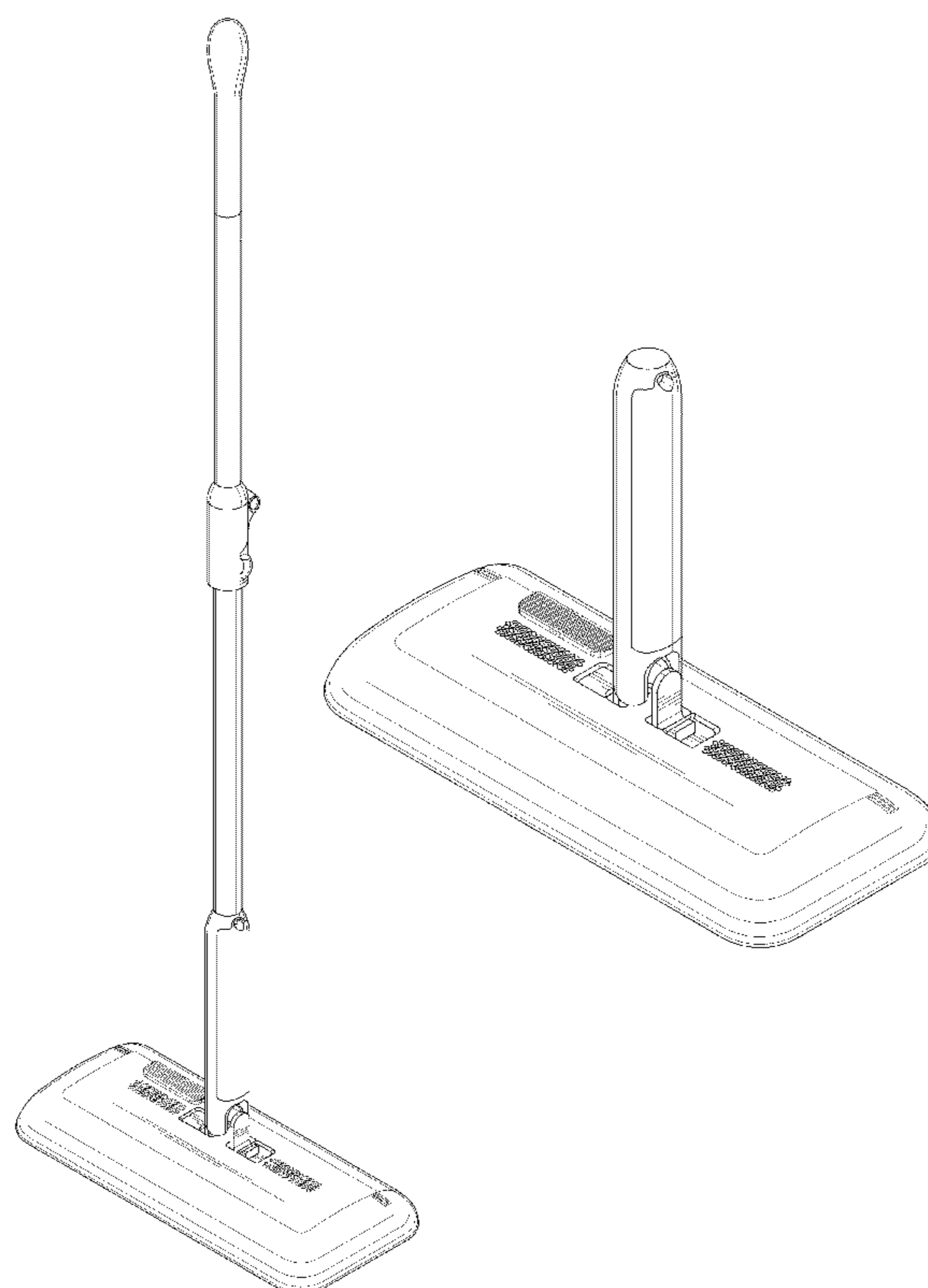
FIG. 1 is an electric vacuum cleaner showing my new design; FIG. 2 is a partially enlarged view of the lower portion in FIG. 1; FIG. 3 is an enlarged top plan view thereof; FIG. 4 is an enlarged bottom plan view thereof; FIG. 5 is a front view thereof; FIG. 6 is a rear view thereof; FIG. 7 is a left side view thereof; FIG. 8 is a right side view thereof; and, FIG. 9 is a perspective view thereof in a collapsed state. The details shown in broken lines form no part of the claimed design.

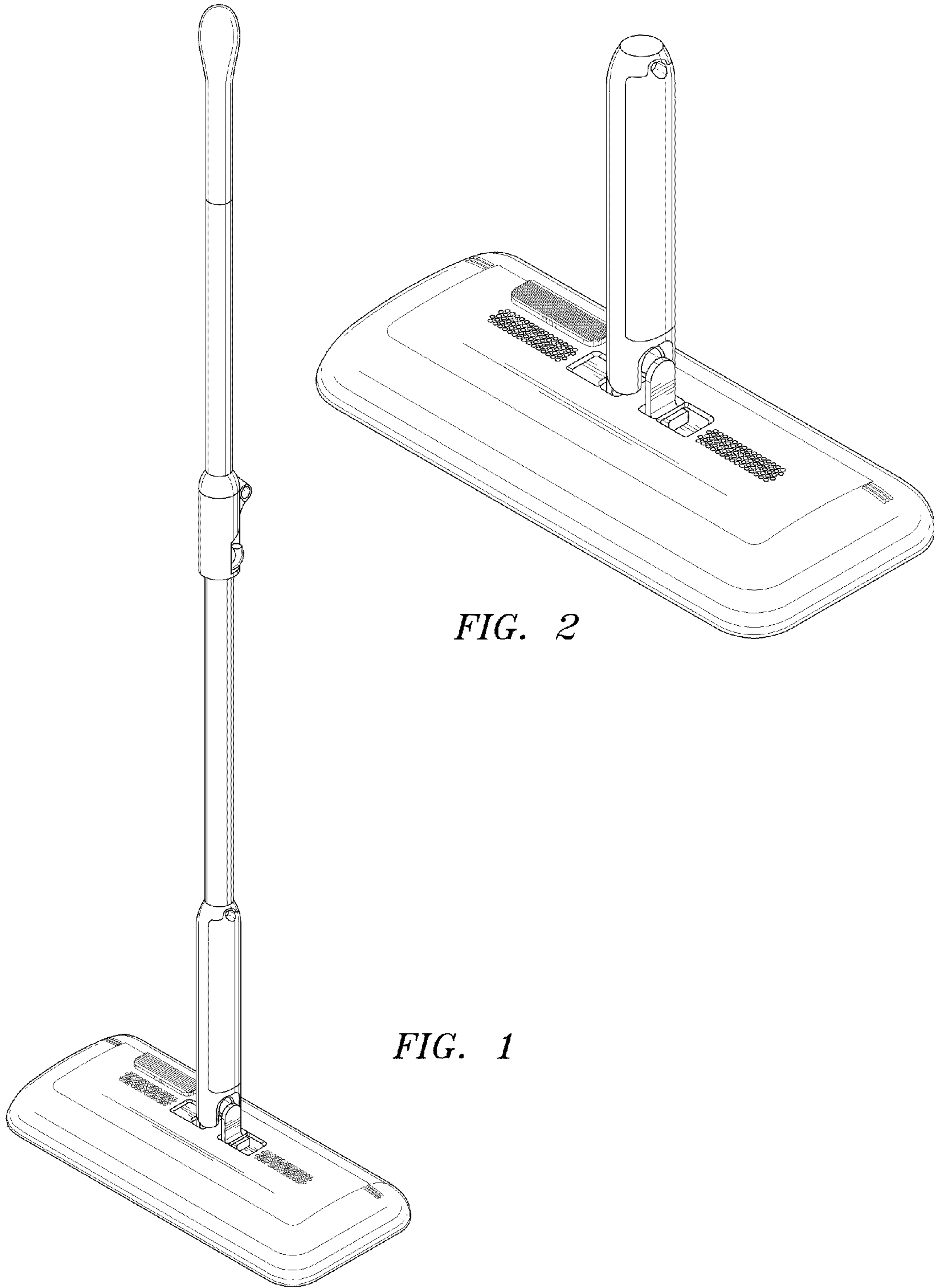
**1 Claim, 5 Drawing Sheets**

(56) **References Cited**

U.S. PATENT DOCUMENTS

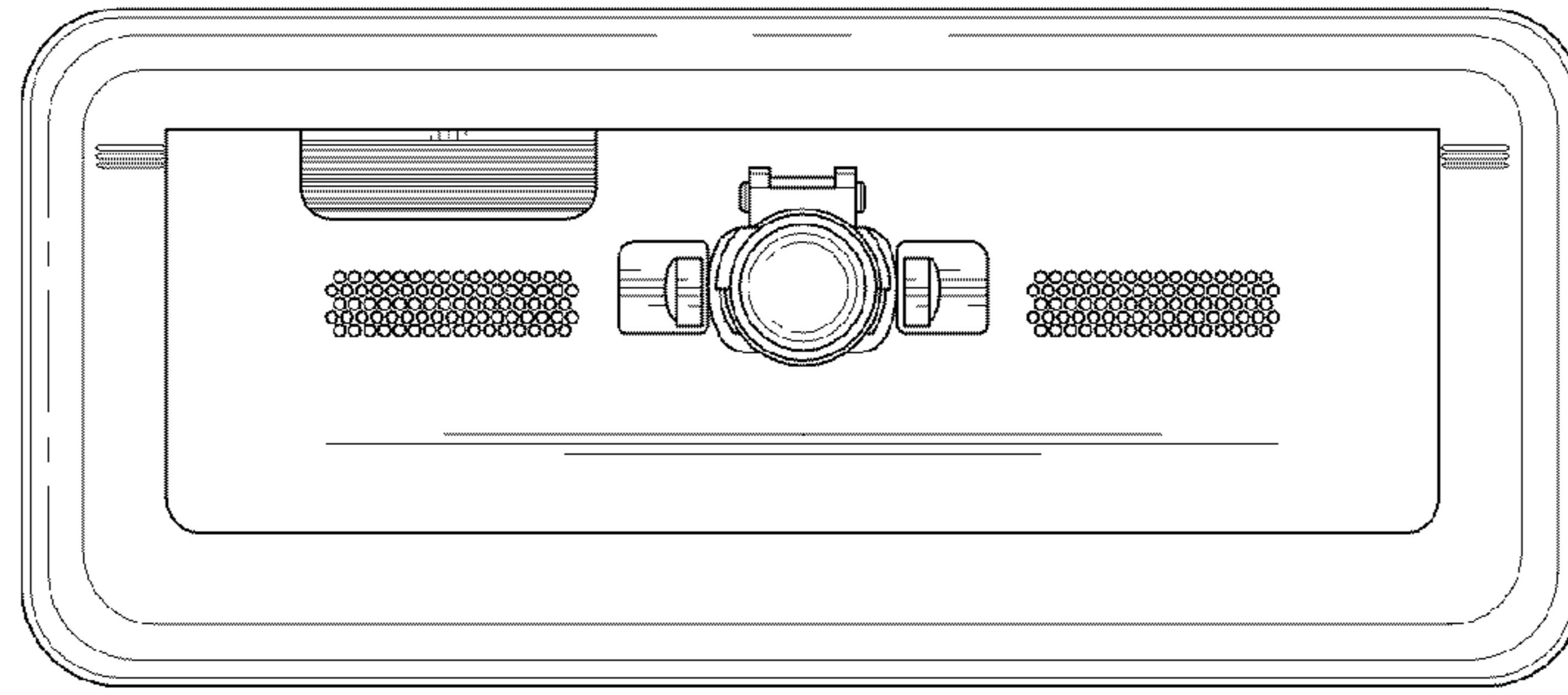
D314,265	S *	1/1991	Hong	D32/33
6,381,804	B1 *	5/2002	Paterson et al.	15/350
D487,324	S *	3/2004	Santiago et al.	D32/32
D487,947	S *	3/2004	Pecci et al.	D32/32
D608,513	S *	1/2010	Ho	D32/22



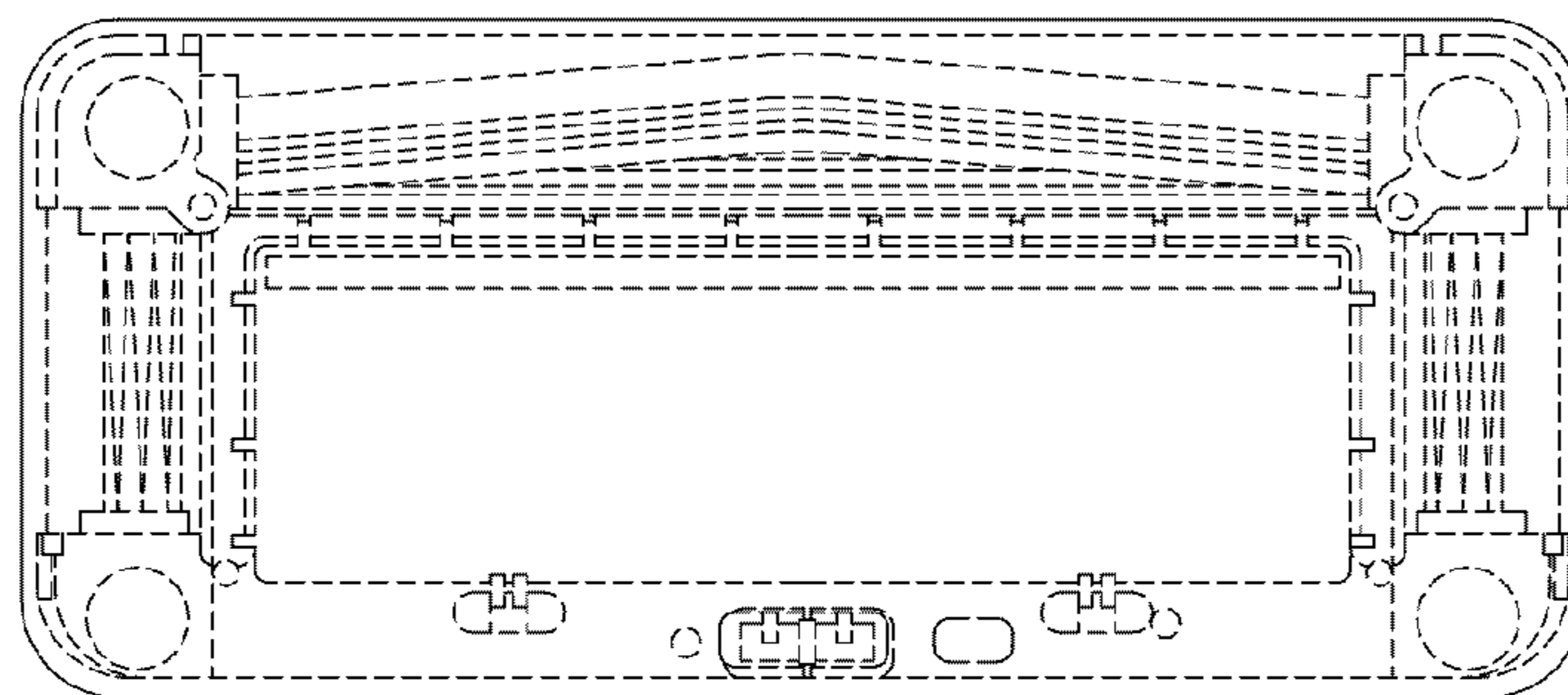


*FIG. 2*

*FIG. 1*



*FIG. 3*



*FIG. 4*

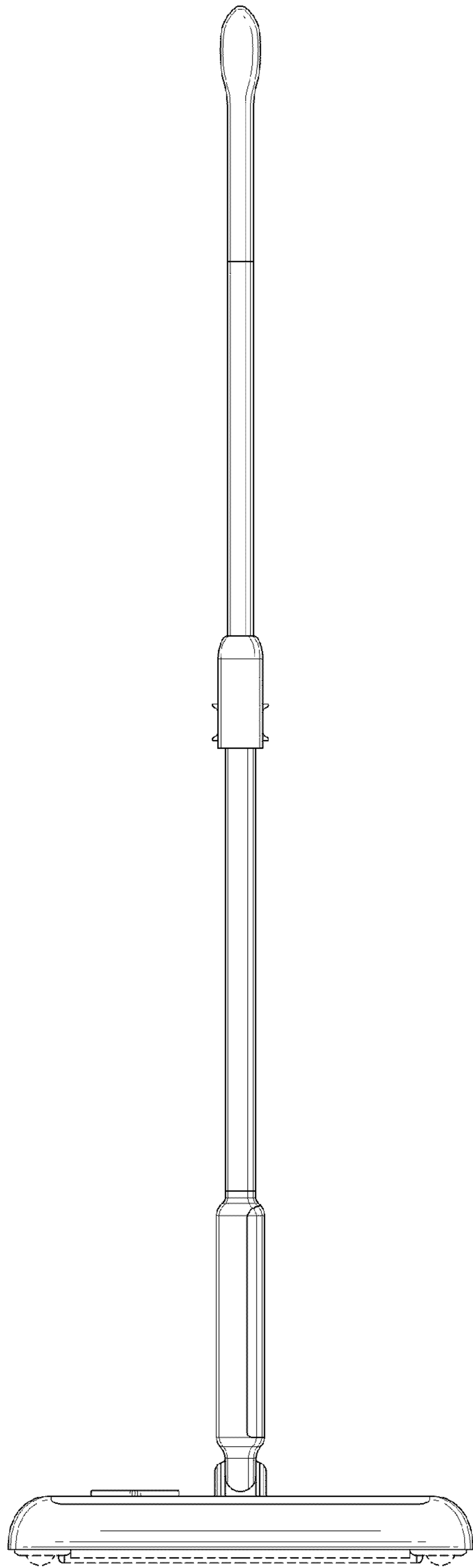


FIG. 5

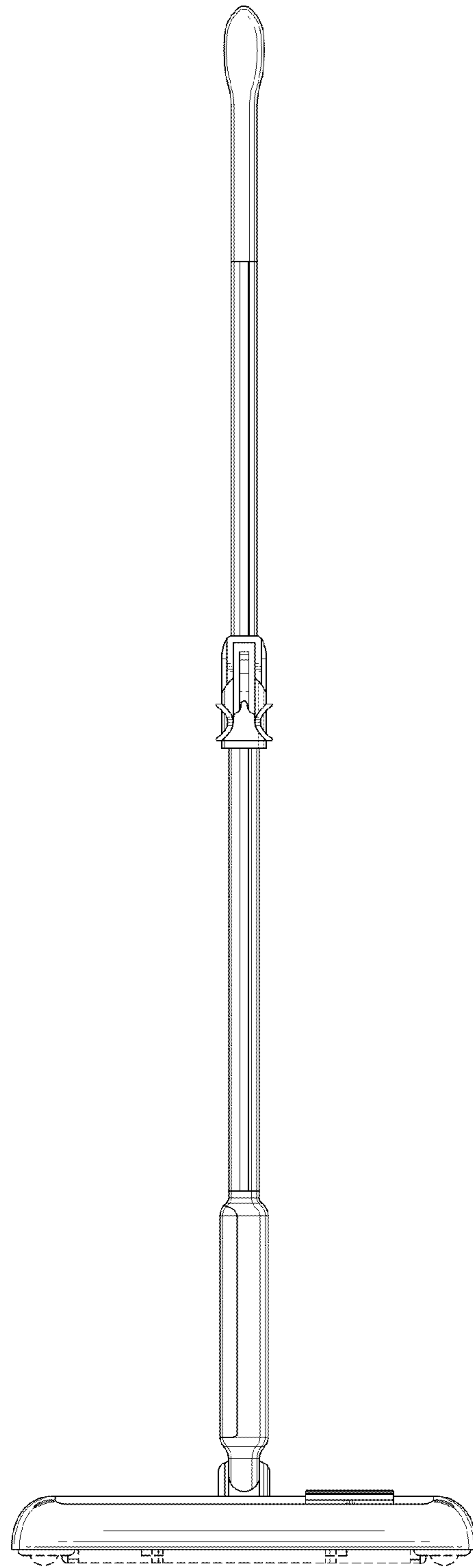
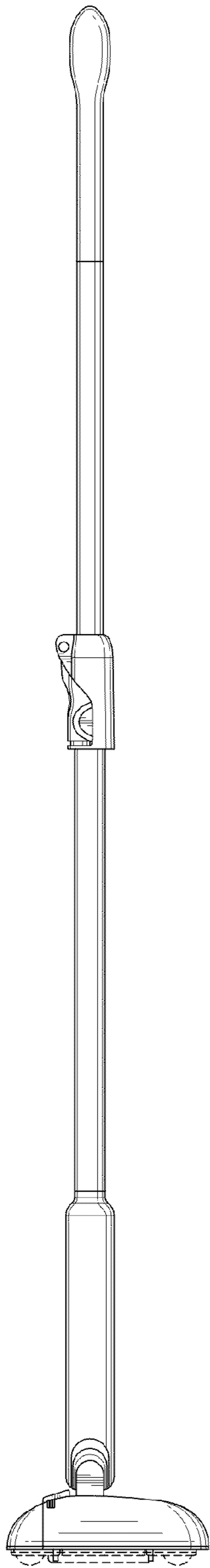
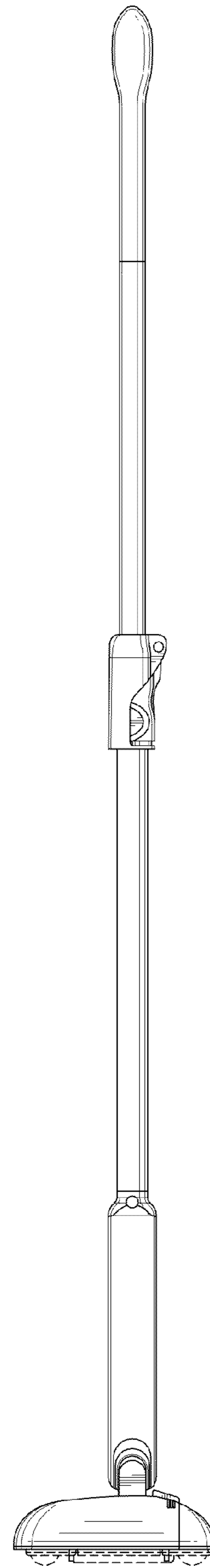


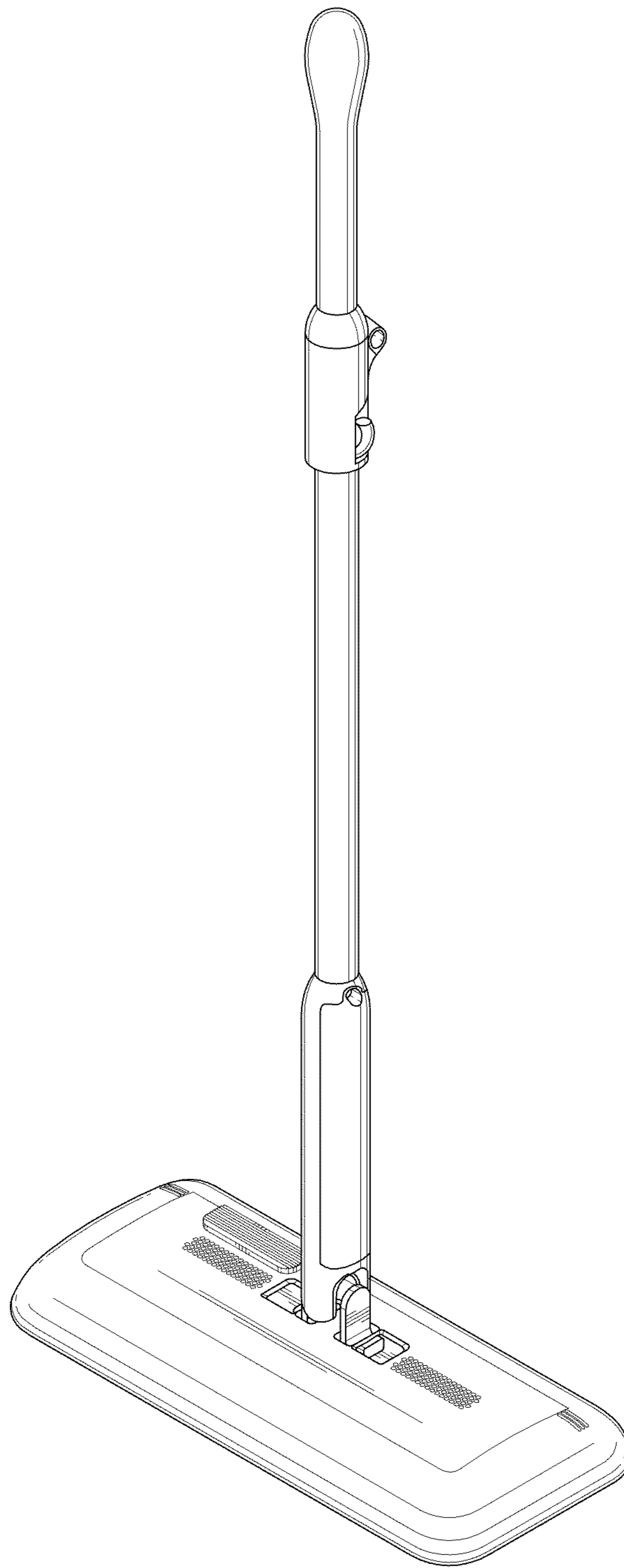
FIG. 6



*FIG. 7*



*FIG. 8*



*FIG. 9*