



US00D725853S

(12) **United States Design Patent**
Milligan

(10) **Patent No.:** **US D725,853 S**
(45) **Date of Patent:** **** Mar. 31, 2015**

(54) **HANDHELD VACUUM CLEANER**

(71) Applicant: **Black & Decker Inc.**, Newark, DE (US)

(72) Inventor: **David Milligan**, Tyne & Wear (GB)

(73) Assignee: **Black & Decker Inc.**, Newark, DE (US)

(**) Term: **14 Years**

(21) Appl. No.: **29/475,923**

(22) Filed: **Dec. 9, 2013**

(30) **Foreign Application Priority Data**

Jun. 11, 2013 (EM) 001374052

(51) **LOC (10) Cl.** **15-05**

(52) **U.S. Cl.**
USPC **D32/21**

(58) **Field of Classification Search**
USPC D32/17, 18, 31, 21, 23-24; 15/344,
15/329, 347, 327.1, 327.2, 327.7,
15/352-353; 55/337, 429, 345, DIG. 3

See application file for complete search history.

(56) **References Cited**

U.S. PATENT DOCUMENTS

D536,492	S	*	2/2007	Rosenzweig	D32/17
D549,406	S	*	8/2007	Rosenzweig	D32/17
D595,462	S	*	6/2009	Crawley	D32/18
D620,209	S	*	7/2010	Crawley	D32/21
D668,405	S	*	10/2012	Crawley	D32/18
8,578,555	B2	*	11/2013	Conrad	15/347
2004/0163203	A1	*	8/2004	Wang	15/344

* cited by examiner

Primary Examiner — Ruth McInroy

(74) *Attorney, Agent, or Firm* — John Yun

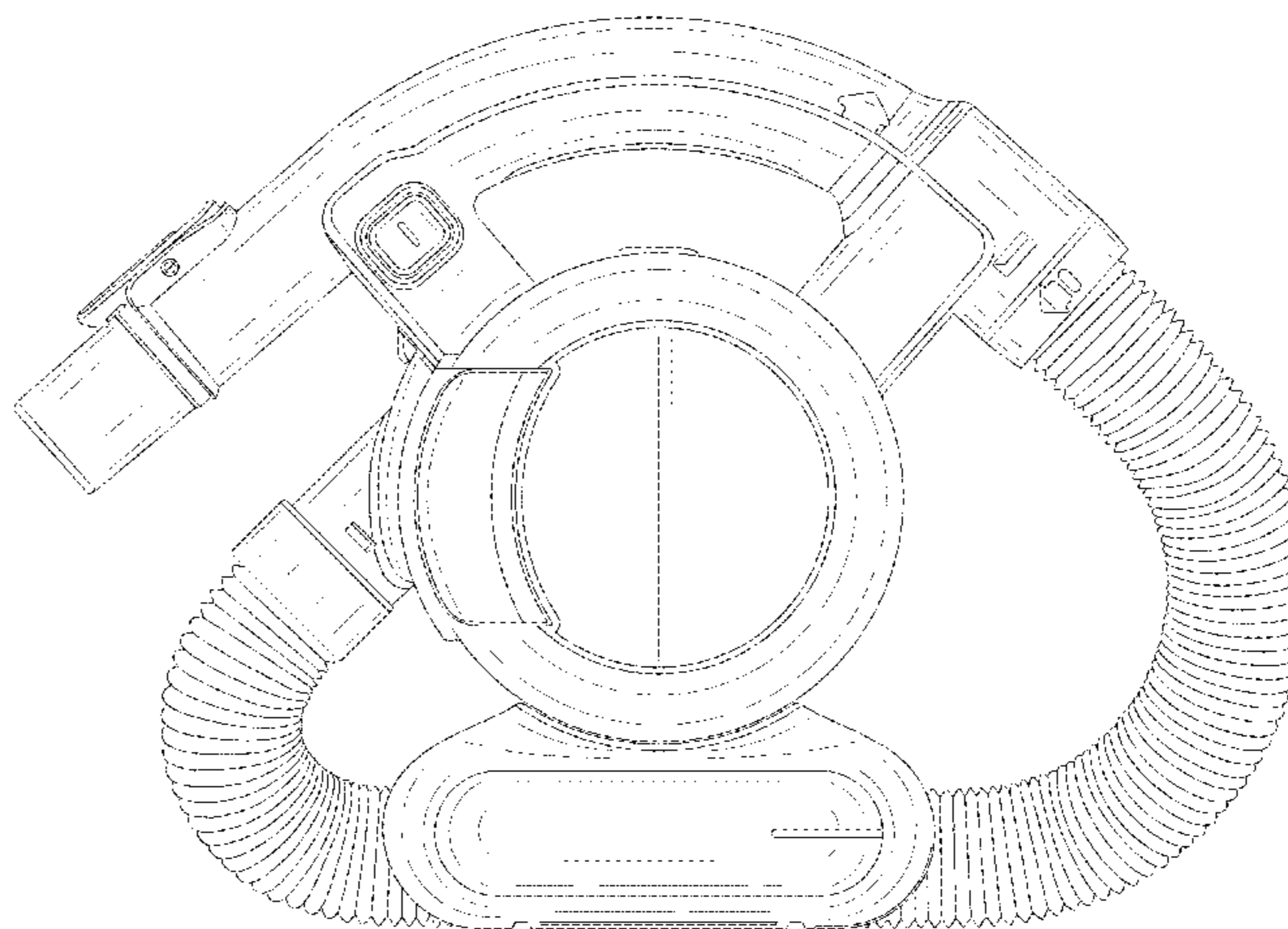
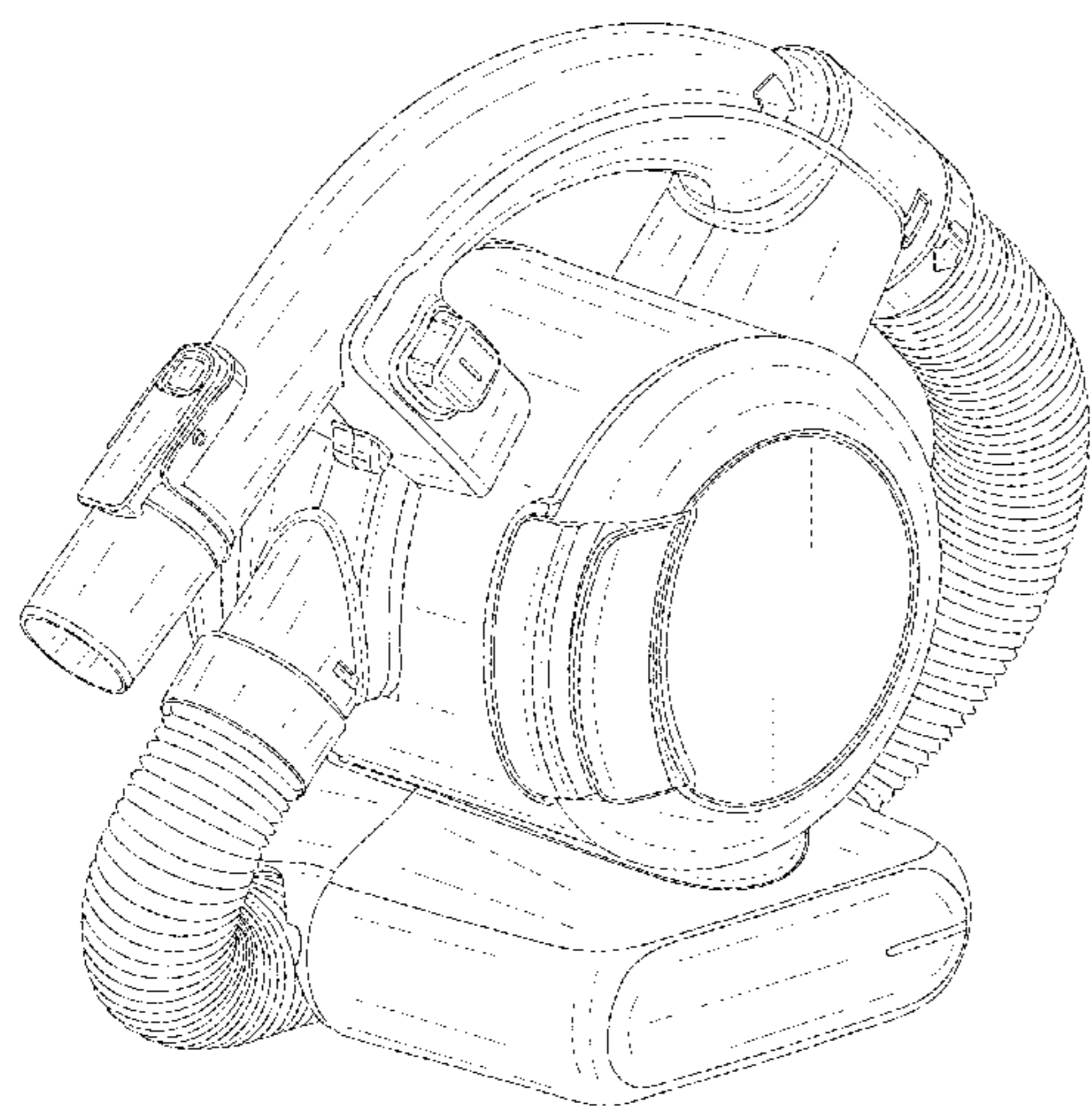
(57) **CLAIM**

The ornamental design for a handheld vacuum cleaner, as shown and described.

DESCRIPTION

FIG. 1 is a perspective view of a handheld vacuum cleaner showing my new design;
FIG. 2 is a front view thereof;
FIG. 3 is a rear view thereof;
FIG. 4 is a left side view thereof;
FIG. 5 is a right side view thereof;
FIG. 6 is a top view thereof; and,
FIG. 7 is a bottom view thereof.

1 Claim, 7 Drawing Sheets



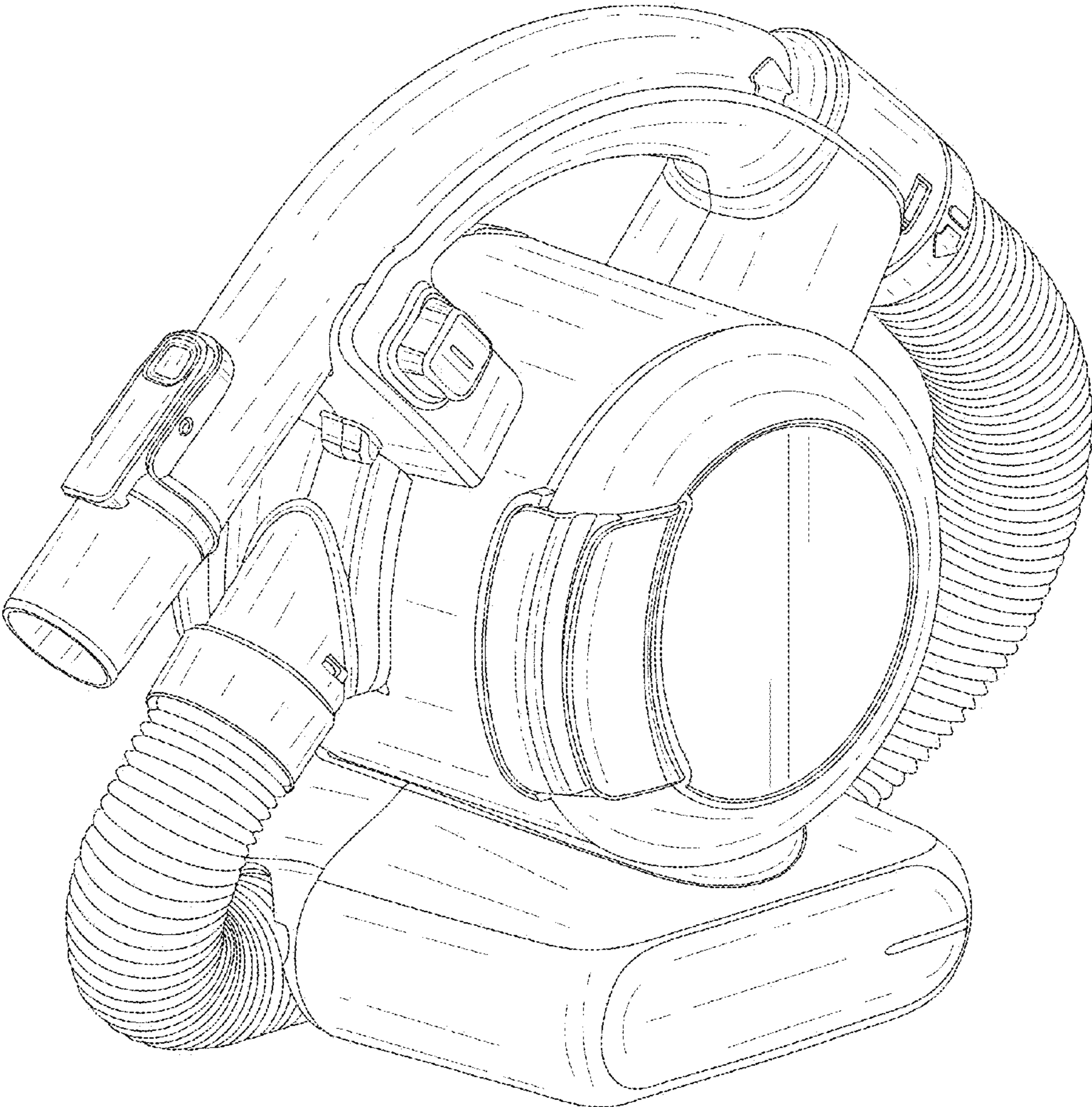


FIG. 1

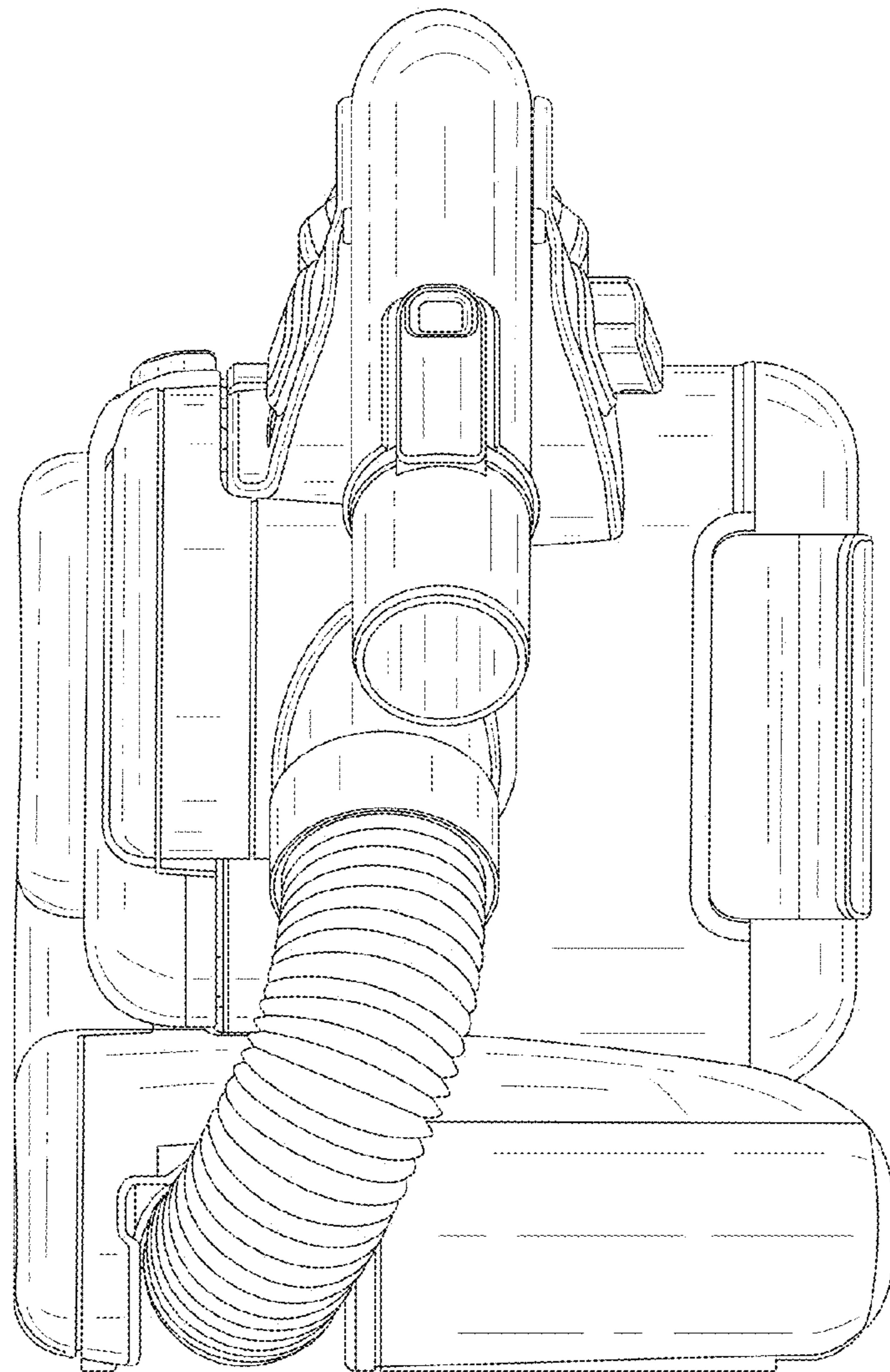


FIG. 2

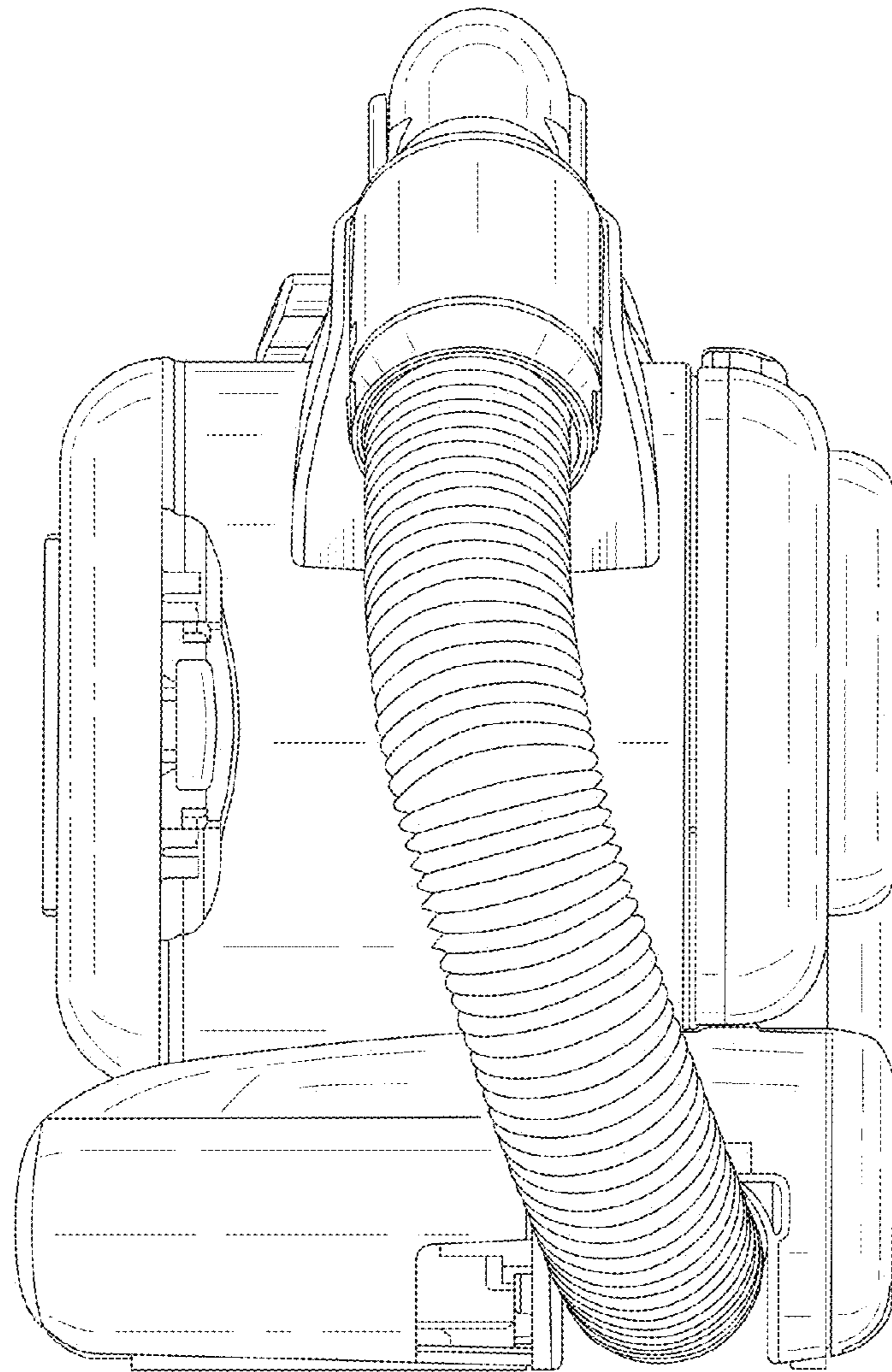


FIG. 3

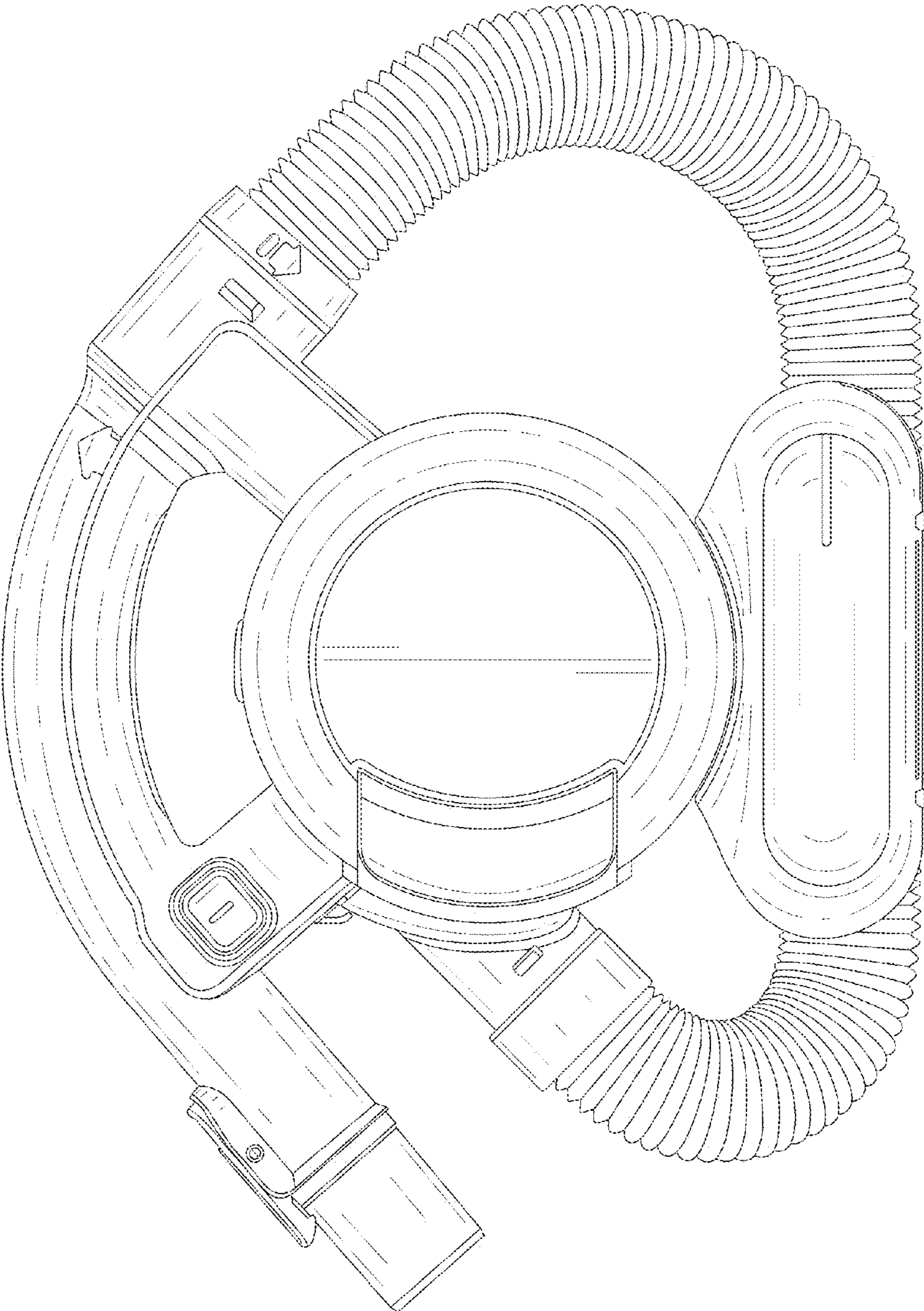


FIG. 4

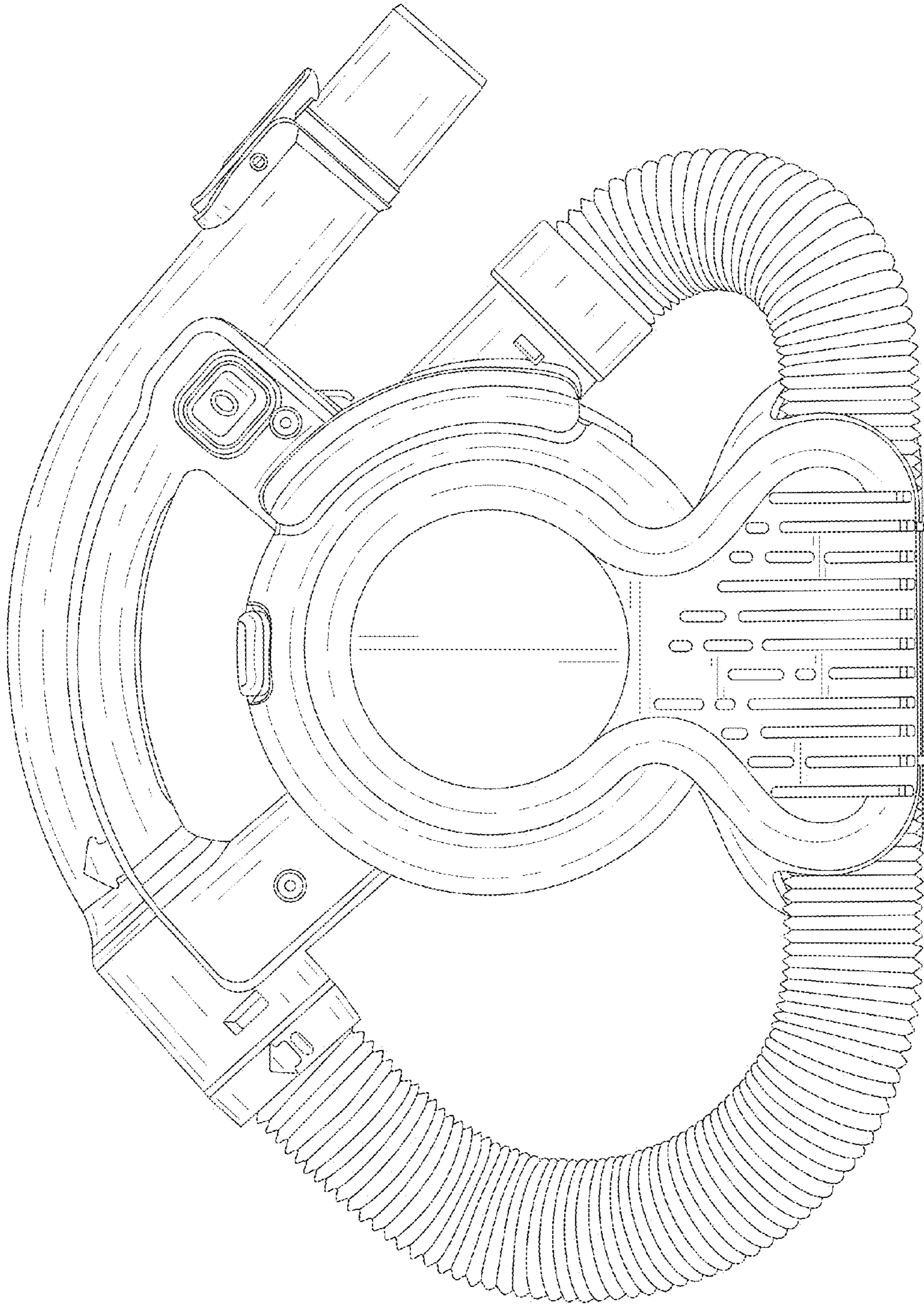


FIG. 5

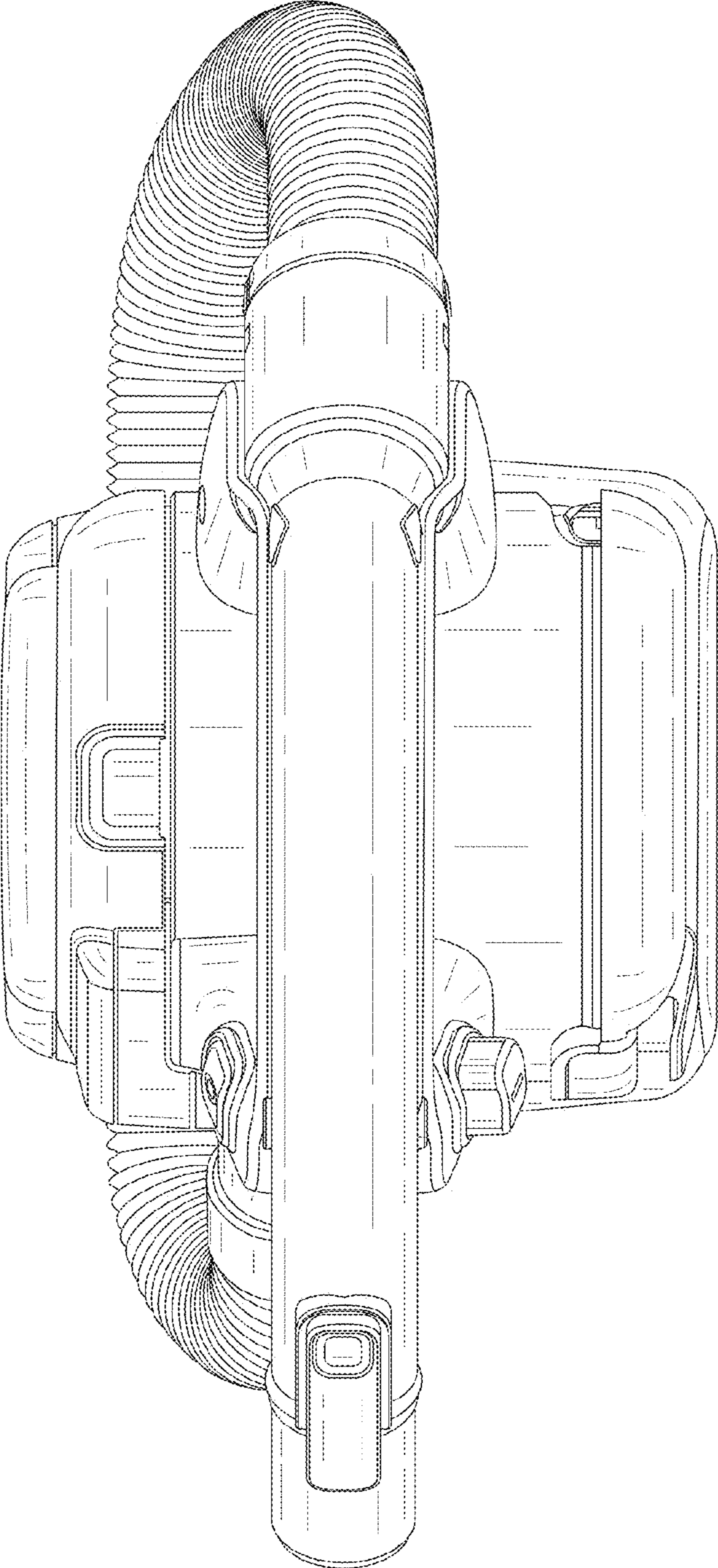


FIG. 6

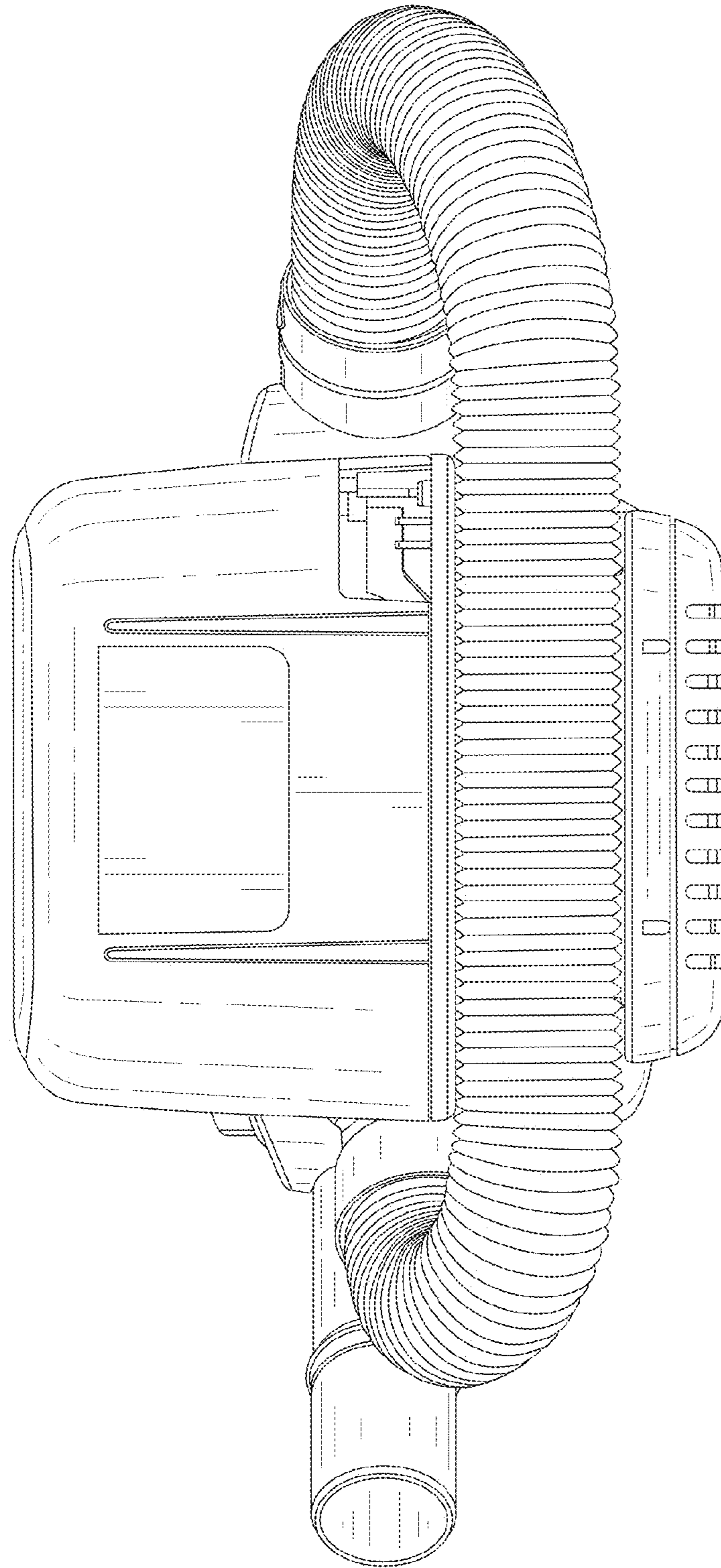


FIG. 7