



US00D725852S

(12) **United States Design Patent**
Houghton

(10) **Patent No.:** **US D725,852 S**

(45) **Date of Patent:** **** Mar. 31, 2015**

(54) **HAND VACUUM CLEANER**

(71) Applicant: **Black & Decker Inc.**, Newark, DE (US)

(72) Inventor: **Stephen Houghton**, Newcastle upon Tyne (GB)

(73) Assignee: **Black & Decker Inc.**, Newark, DE (US)

(**) Term: **14 Years**

(21) Appl. No.: **29/493,241**

(22) Filed: **Jun. 6, 2014**

(30) **Foreign Application Priority Data**

Dec. 9, 2013 (CN) 2013 3 0626095

(51) **LOC (10) Cl.** **15-05**

(52) **U.S. Cl.**
USPC **D32/18**

(58) **Field of Classification Search**
USPC D32/17, 18, 31, 21, 23-24; 15/344,
15/329, 347, 327.1, 327.2, 327.7,
15/352-353; 55/337, 429, 345, DIG. 3
See application file for complete search history.

(56) **References Cited**

U.S. PATENT DOCUMENTS

D480,846 S * 10/2003 Ki D32/18
D552,309 S * 10/2007 Houghton D32/18

D569,059 S * 5/2008 Stratford D32/18
7,370,387 B2 * 5/2008 Walker et al. 15/344
D595,017 S * 6/2009 Baxter et al. D32/18
D640,021 S * 6/2011 Houghton D32/18
D640,847 S * 6/2011 Houghton D32/18
D640,848 S * 6/2011 Houghton D32/18
D641,111 S * 7/2011 Houghton D32/18
D648,083 S * 11/2011 Luyckx et al. D32/18
D653,008 S * 1/2012 Houghton D32/18

* cited by examiner

Primary Examiner — Ruth McInroy

(74) *Attorney, Agent, or Firm* — John Yun

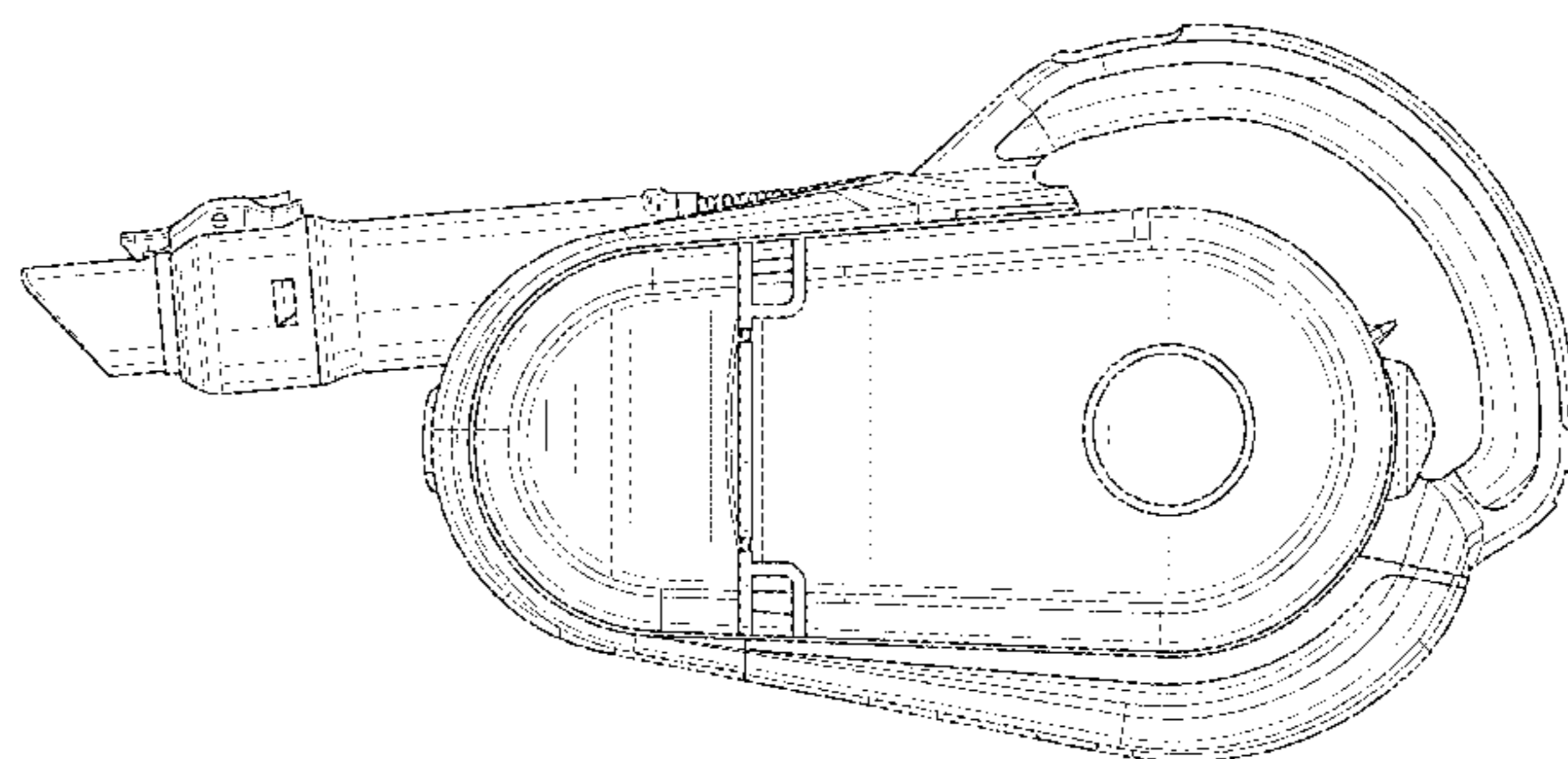
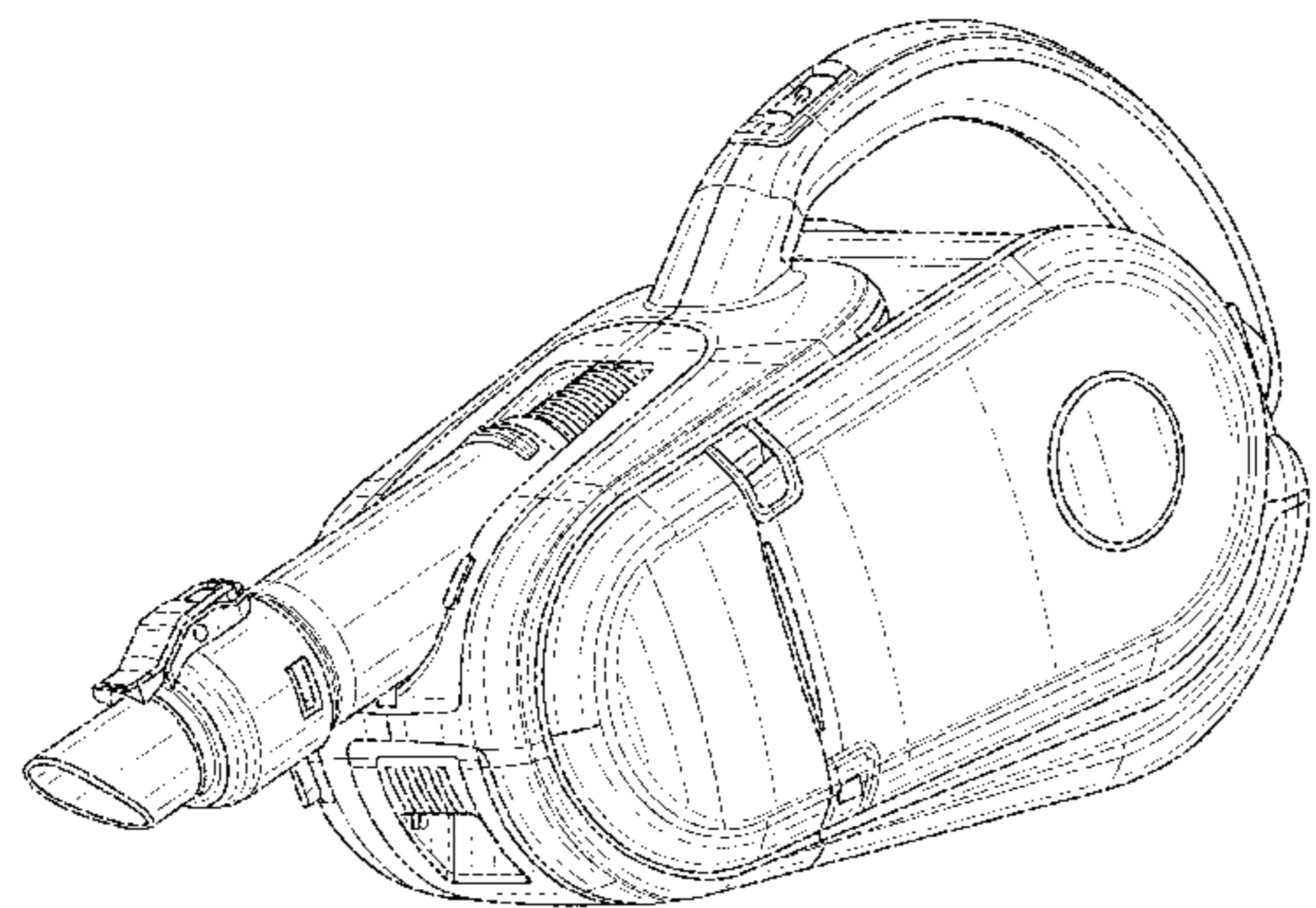
(57) **CLAIM**

The ornamental design for a hand vacuum cleaner, as shown and described.

DESCRIPTION

FIG. 1 is a perspective view of a hand vacuum cleaner showing my new design;
FIG. 2 is a rear perspective view of a hand vacuum cleaner showing my new design;
FIG. 3 is a left side view thereof
FIG. 4 is a right side view thereof;
FIG. 5 is a front view thereof;
FIG. 6 is a rear view thereof;
FIG. 7 is a top plan thereof; and,
FIG. 8 is a bottom plan view thereof.
The broken lines in the figures form no part of the claimed design.

1 Claim, 8 Drawing Sheets



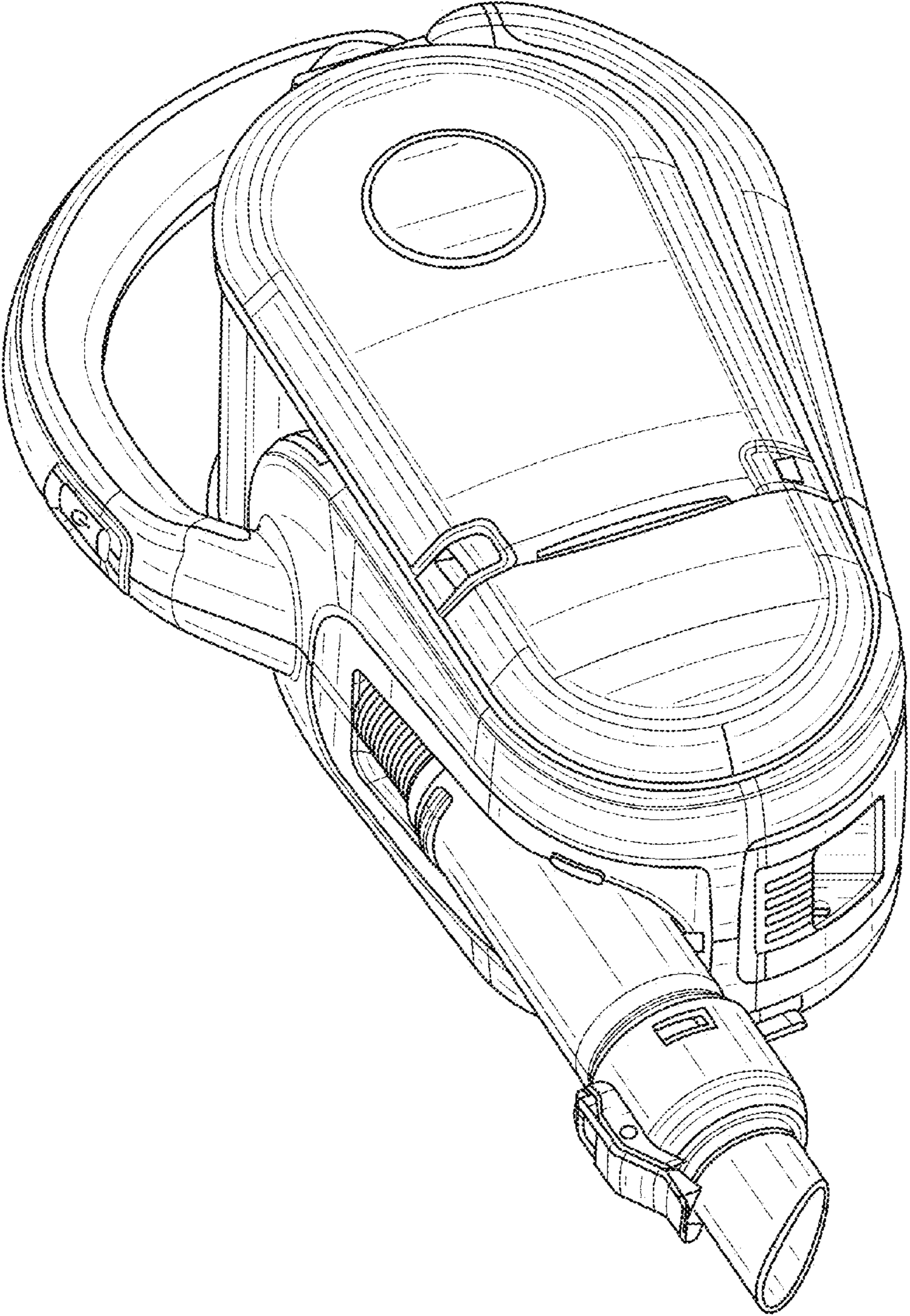


FIG. 1

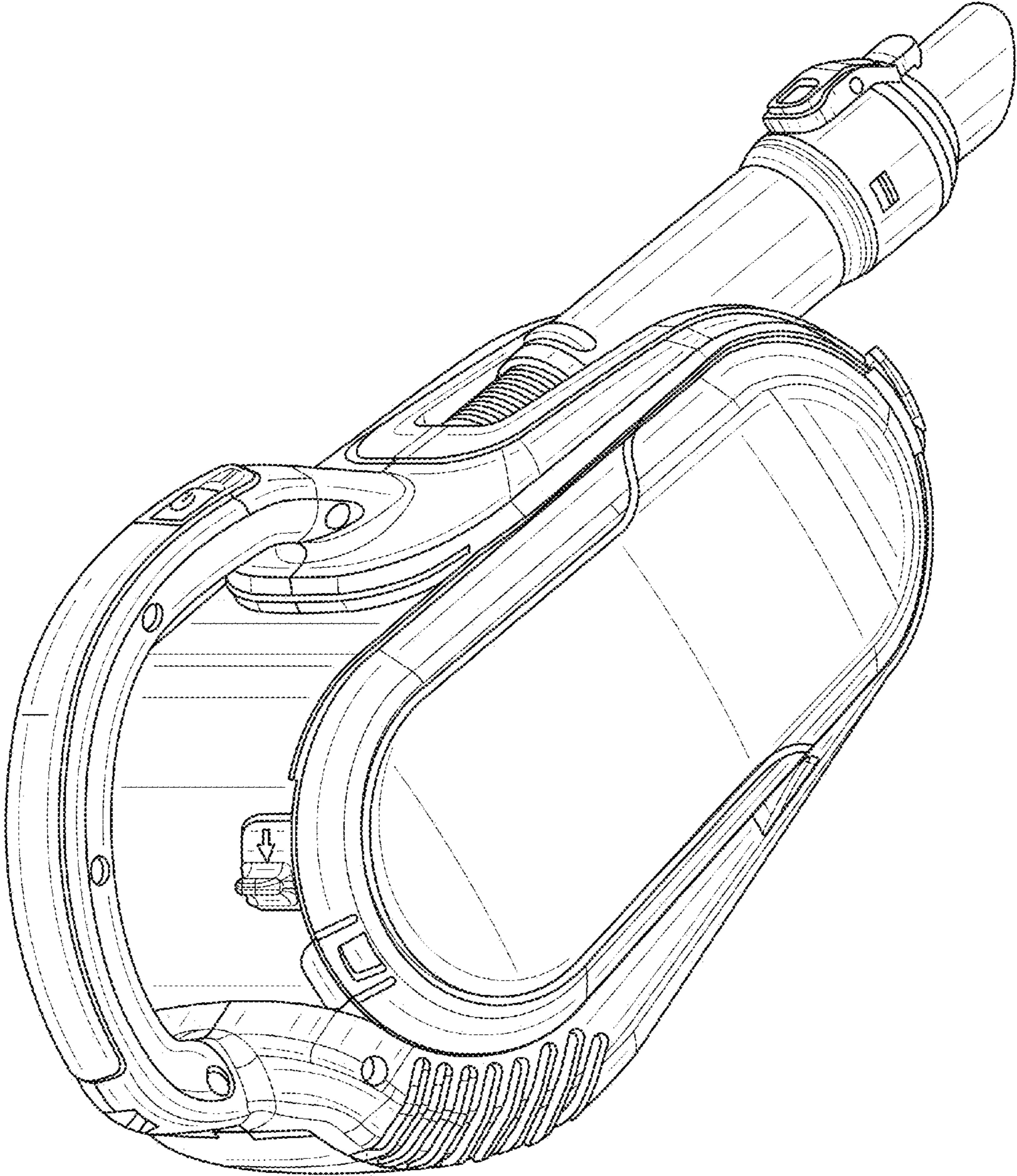


FIG. 2

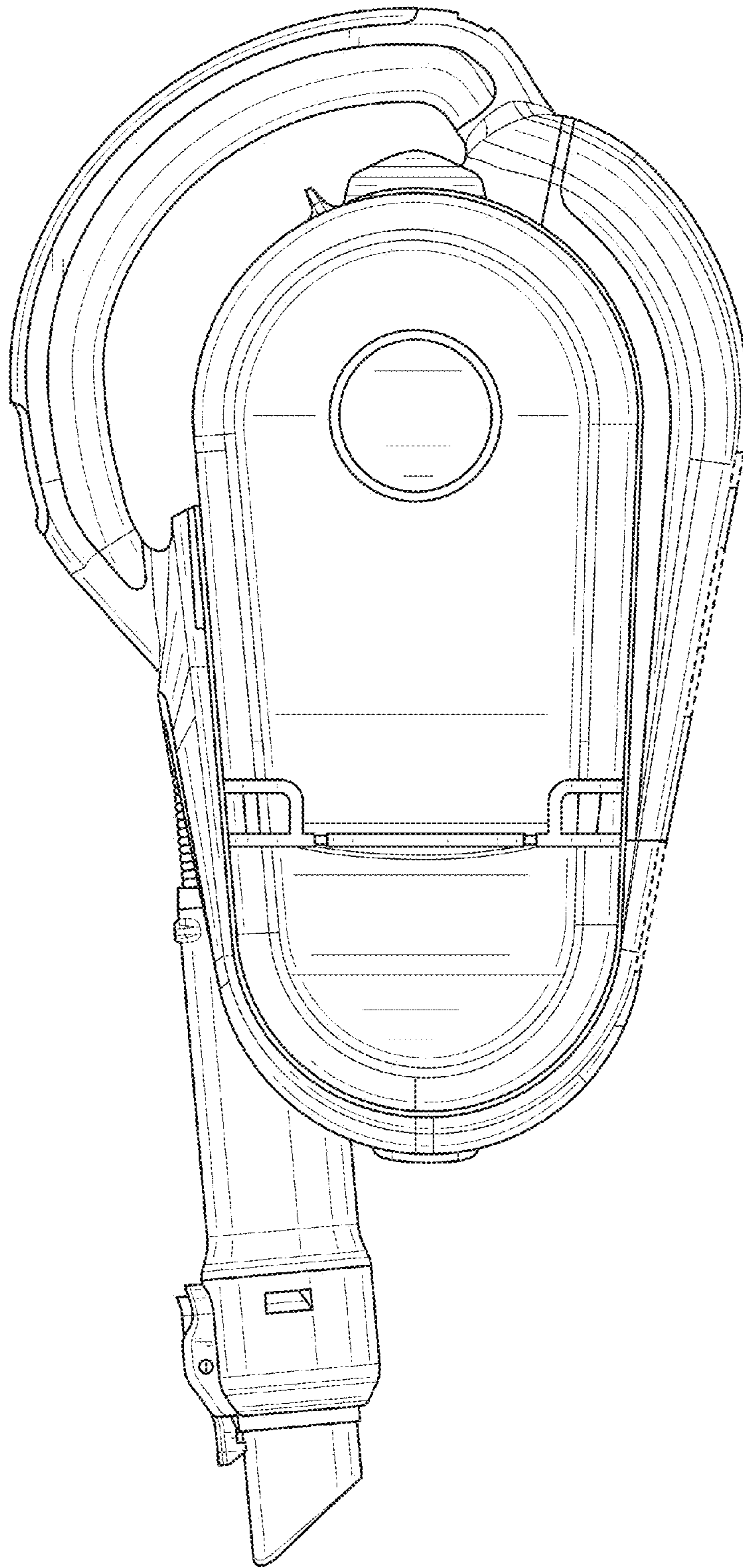


FIG. 3

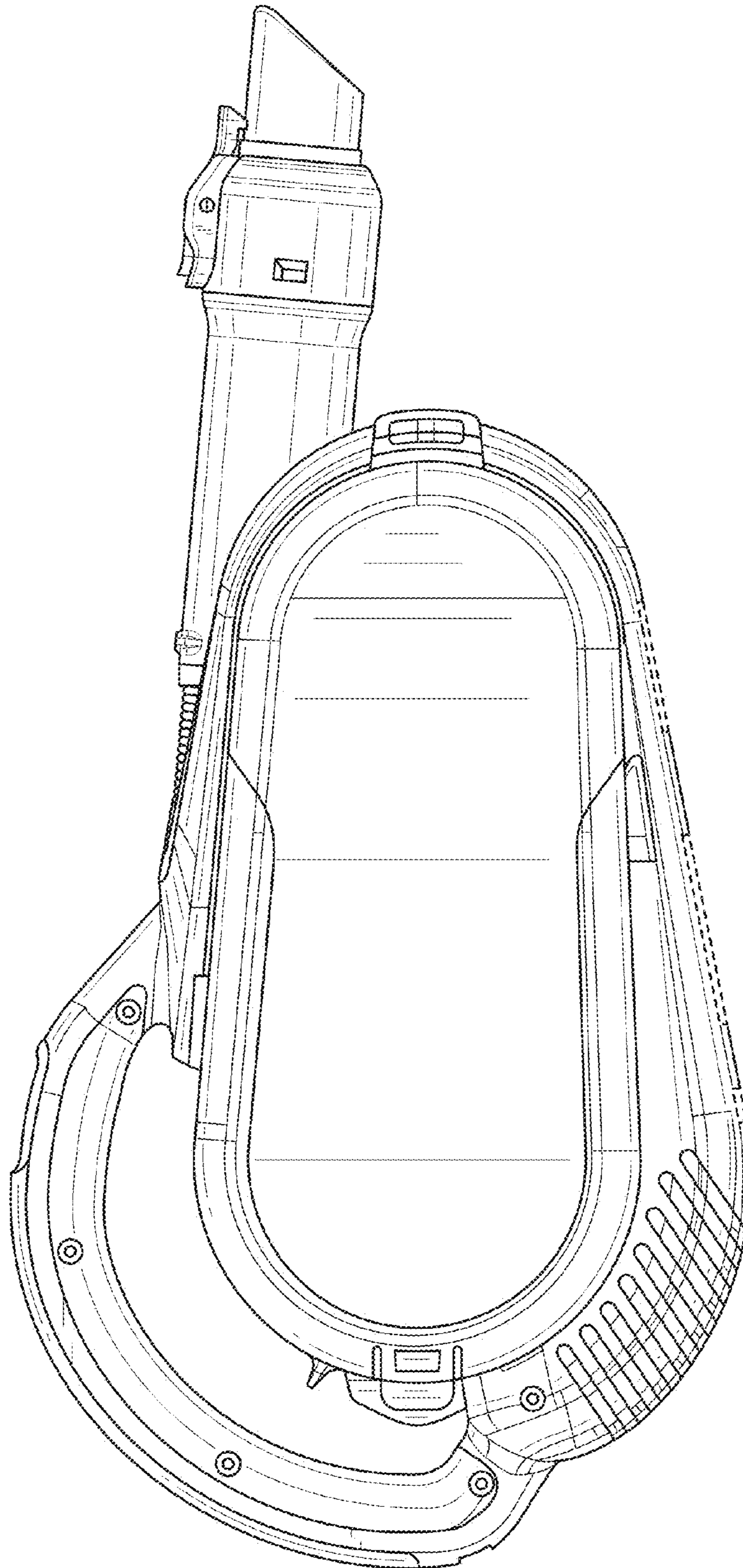


FIG. 4

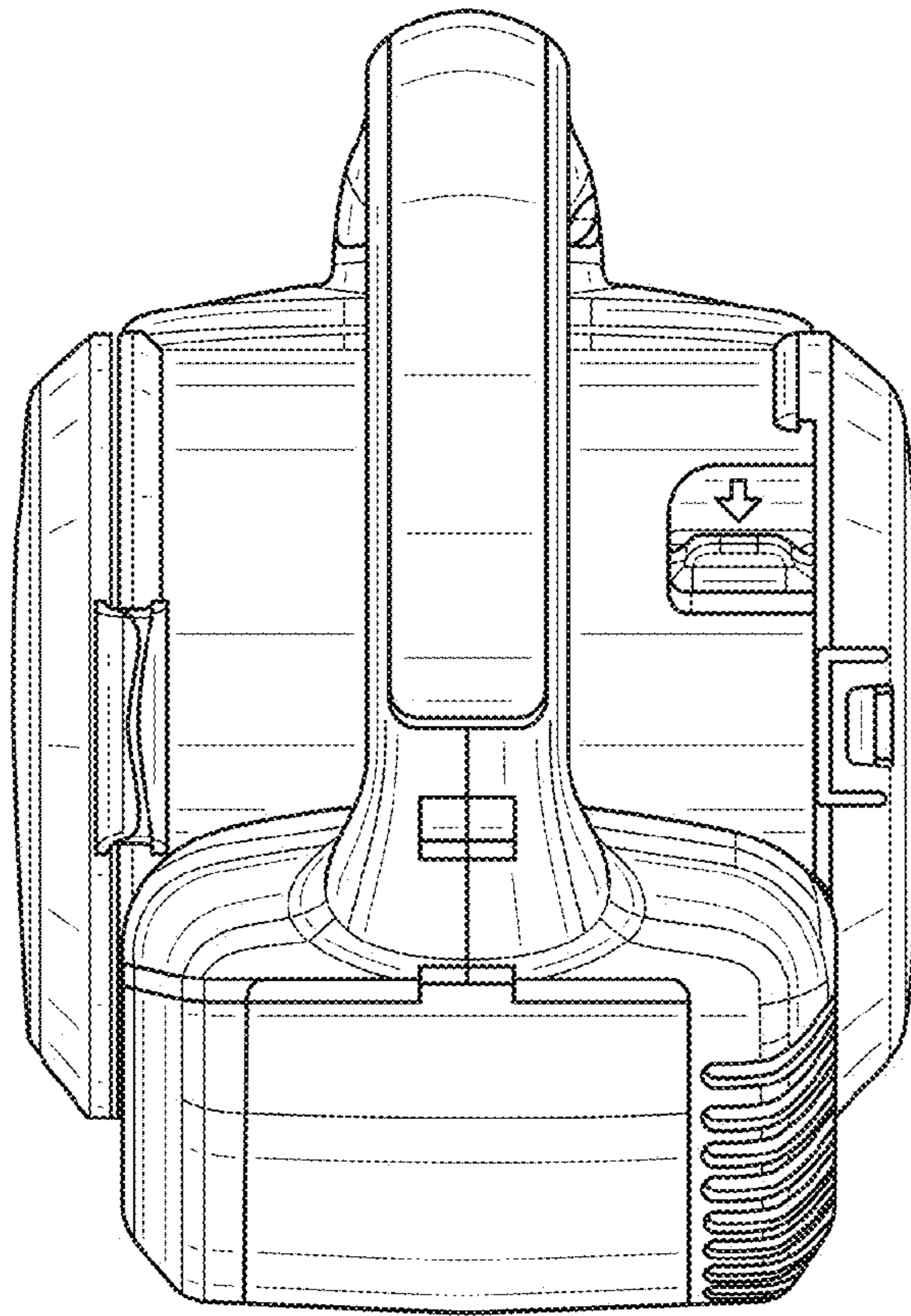


FIG. 5

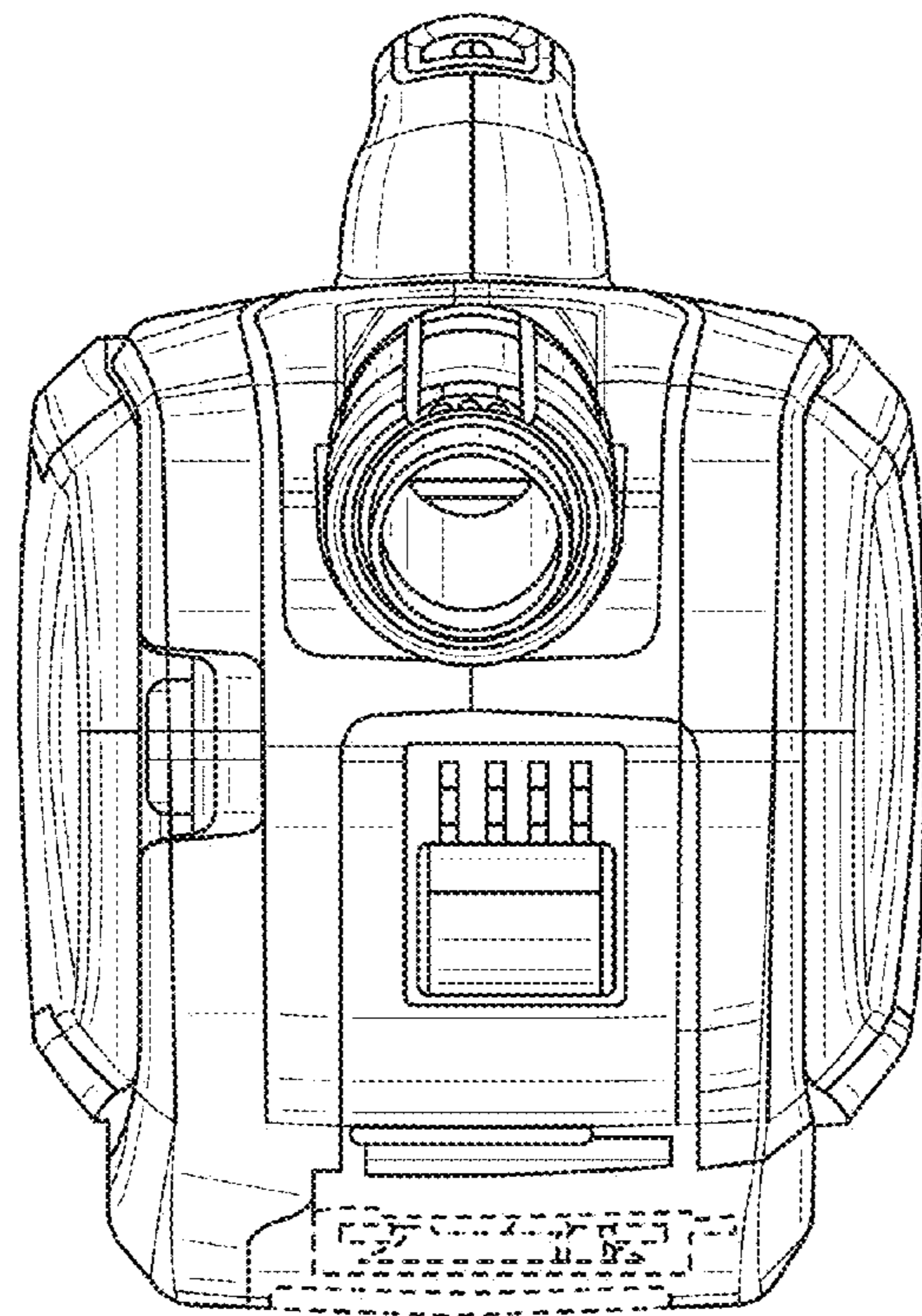


FIG. 6

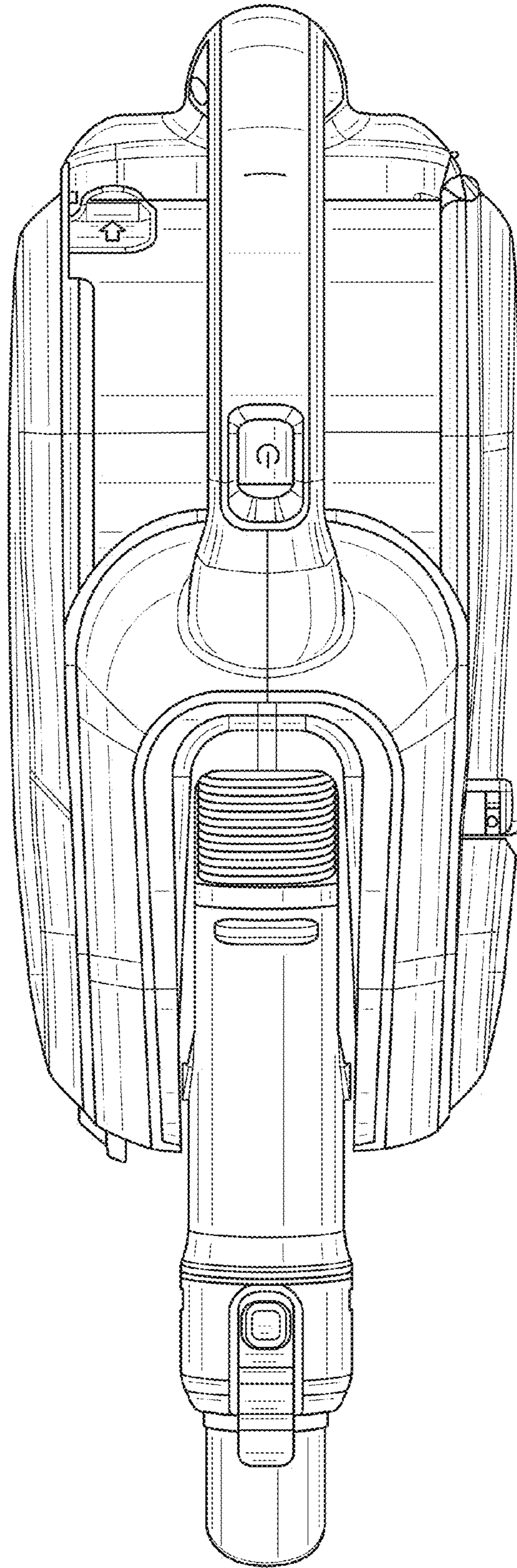


FIG. 7

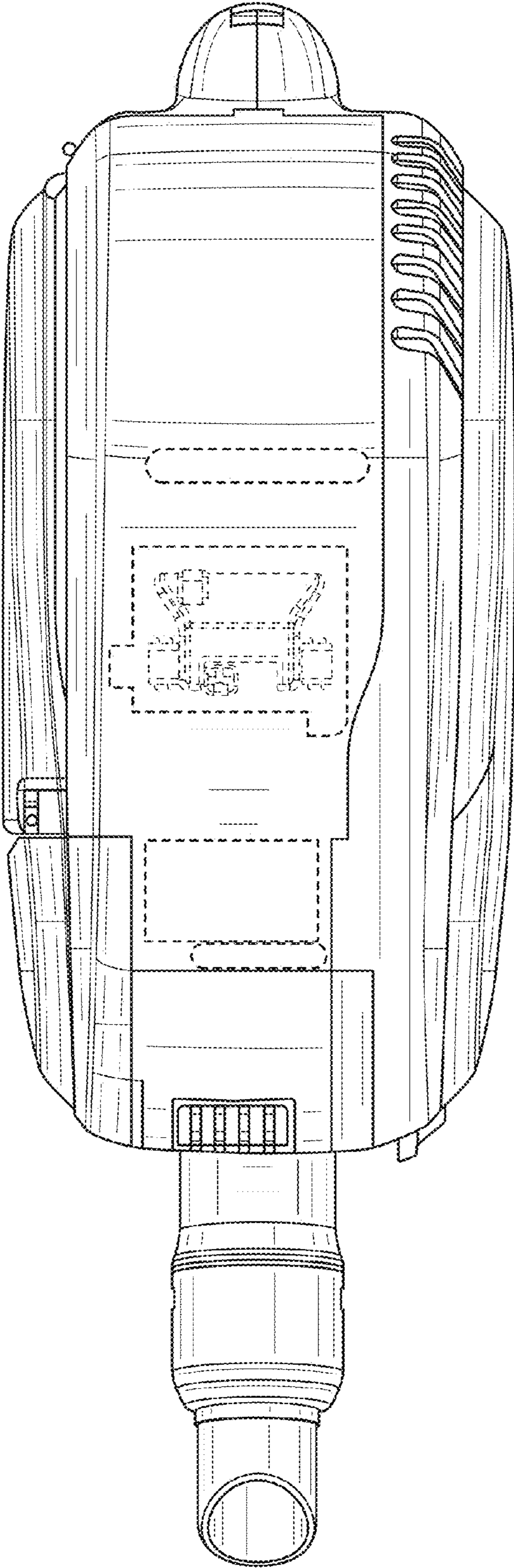


FIG. 8