



US00D725851S

(12) **United States Design Patent**  
**Lee et al.**

(10) **Patent No.:** **US D725,851 S**  
(45) **Date of Patent:** **\*\* Mar. 31, 2015**

(54) **TRAY FOR DISHWASHER**

(71) Applicant: **Samsung Electronics Co., Ltd.**,  
Suwon-si (KR)

(72) Inventors: **Jae Moon Lee**, Seoul (KR); **Jae Jun Kim**, Seoul (KR); **Ji Young Shin**, Seoul (KR)

(73) Assignee: **Samsung Electronics Co., Ltd.** (KR)

(\*\*) Term: **14 Years**

(21) Appl. No.: **29/487,952**

(22) Filed: **Apr. 14, 2014**

(30) **Foreign Application Priority Data**

Nov. 1, 2013 (KR) ..... 30-2013-0055150

(51) **LOC (10) Cl.** ..... **15-05**

(52) **U.S. Cl.**  
USPC ..... **D32/3**

(58) **Field of Classification Search**  
USPC ..... D32/1, 2, 3, 25, 55; D3/309-314;  
134/56 D, 57 D, 58 D, 201; 220/56 D,  
220/57 D, 58 D, 201; 206/507-509;  
211/41.8-41.9  
See application file for complete search history.

(56) **References Cited**

**U.S. PATENT DOCUMENTS**

5,009,053 A \* 4/1991 Langenbeck et al. .... 53/58  
5,115,822 A \* 5/1992 Nichols ..... 134/135

D403,472 S \* 12/1998 Goodin et al. .... D32/3  
5,881,906 A \* 3/1999 Rogers et al. .... 220/607  
D412,607 S \* 8/1999 Goodin et al. .... D32/3  
D481,179 S \* 10/2003 Wendt et al. .... D32/3  
D624,787 S \* 10/2010 Adams et al. .... D7/409  
D683,504 S \* 5/2013 Clores ..... D32/3  
D703,396 S \* 4/2014 Scherrer ..... D32/3

\* cited by examiner

*Primary Examiner* — T. Chase Nelson  
*Assistant Examiner* — Michelle E Wilson

(74) *Attorney, Agent, or Firm* — Cantor Colburn LLP

(57) **CLAIM**

The ornamental design for a tray for dishwasher, as shown and described.

**DESCRIPTION**

FIG. 1 is a front perspective view of a tray for dishwasher showing our new design;  
FIG. 2 is a front elevation view thereof;  
FIG. 3 is a rear elevation view thereof;  
FIG. 4 is a side elevation view thereof;  
FIG. 5 is another side elevation view thereof;  
FIG. 6 is a top plan view thereof;  
FIG. 7 is a bottom plan view thereof;  
FIG. 8 is a front perspective view thereof in user environment; and,  
FIG. 9 is a front perspective view thereof, illustrating separation of the tray for dishwasher from a lower tray in a user environment.  
The broken lines are for environmental purposes only and form no part of the claimed design.

**1 Claim, 7 Drawing Sheets**

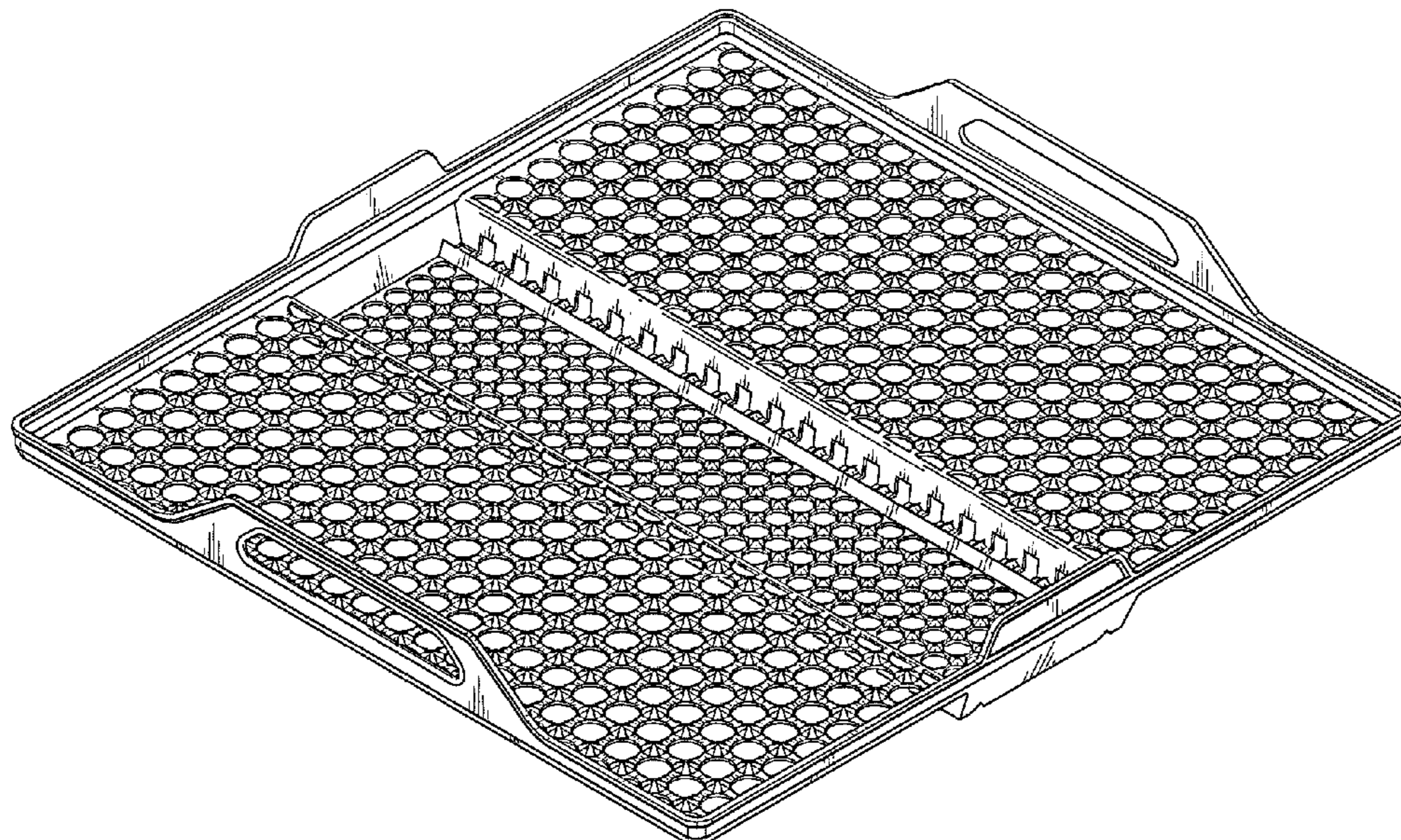


Fig. 1

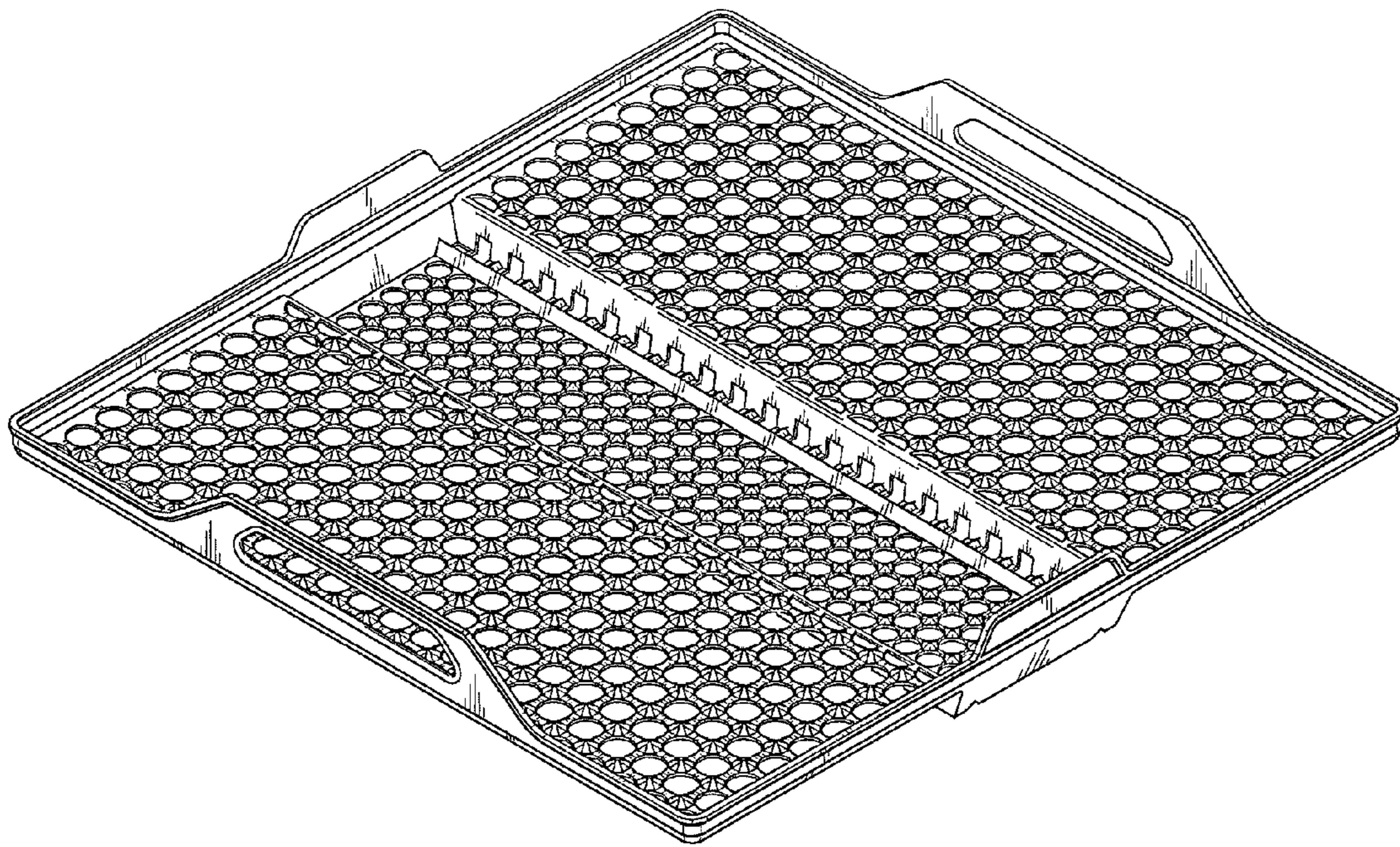


Fig. 2

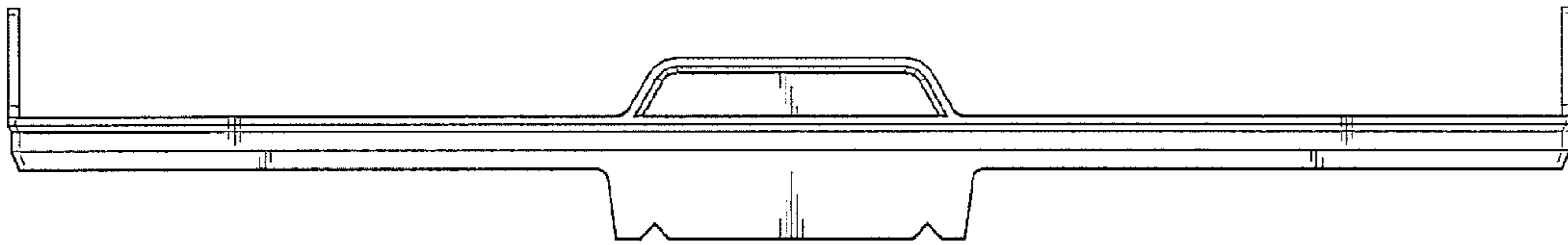


Fig. 3

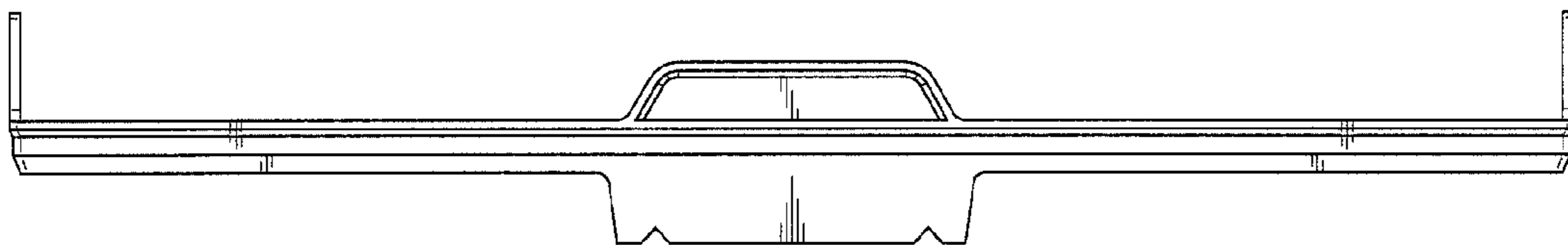


Fig. 4

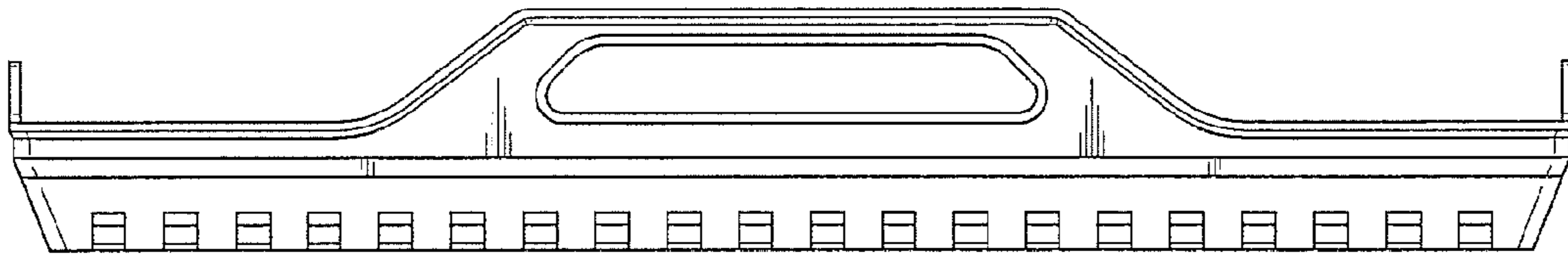


Fig. 5

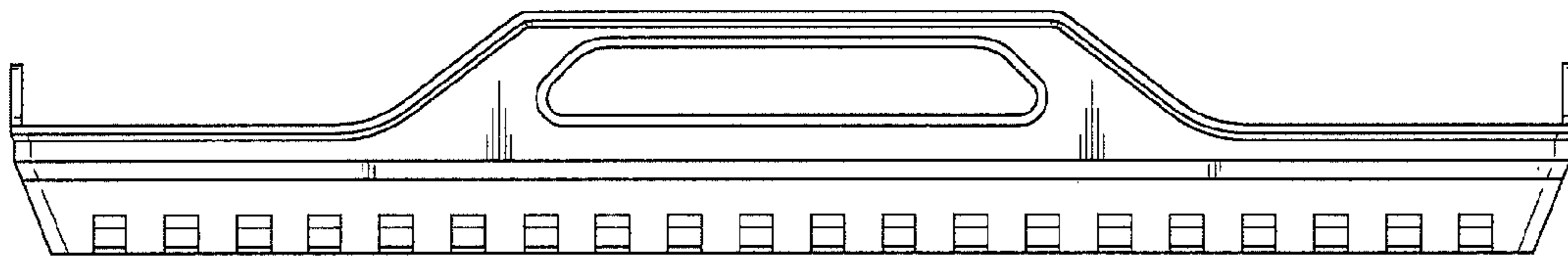


Fig. 6

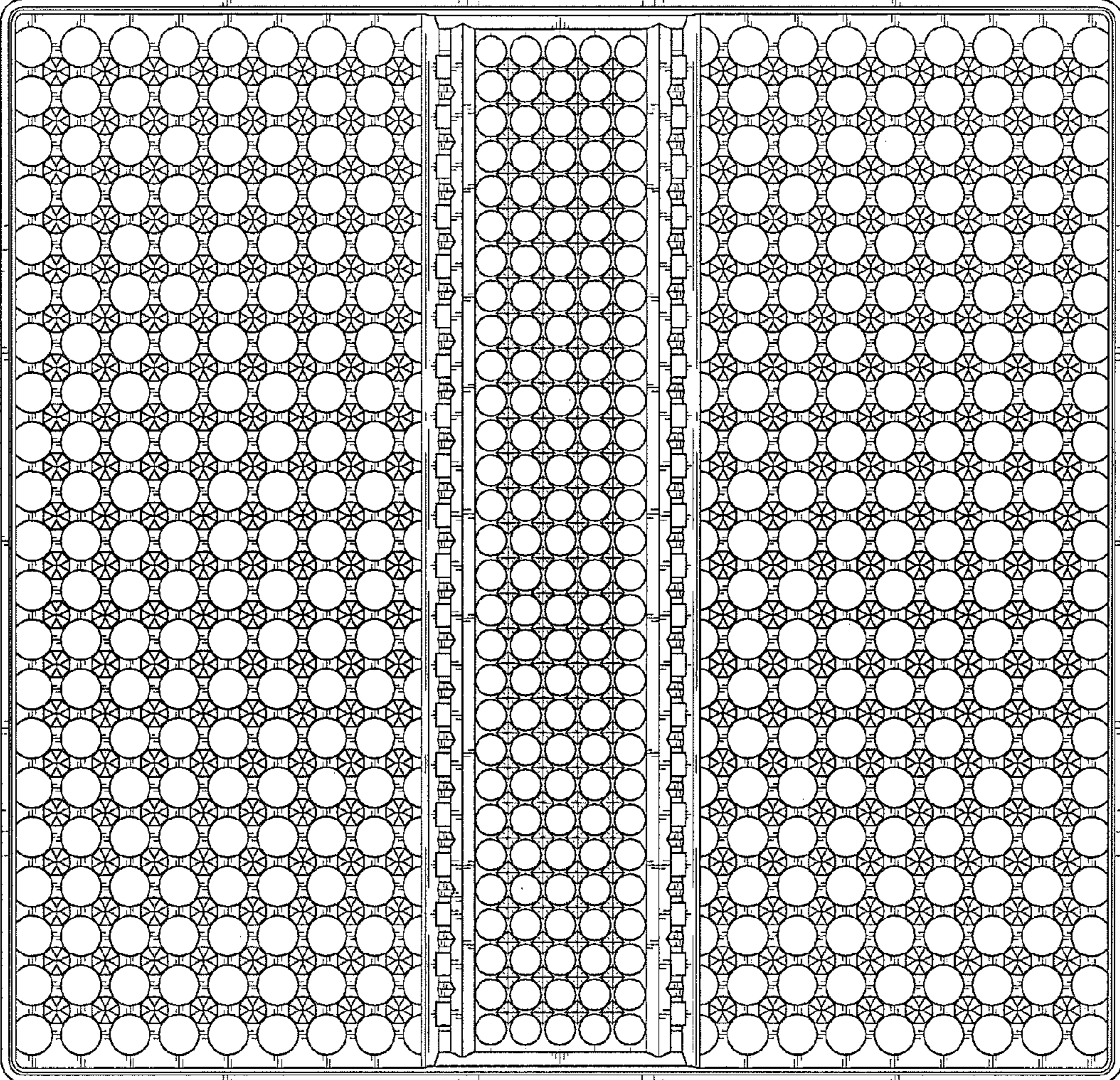


Fig. 7

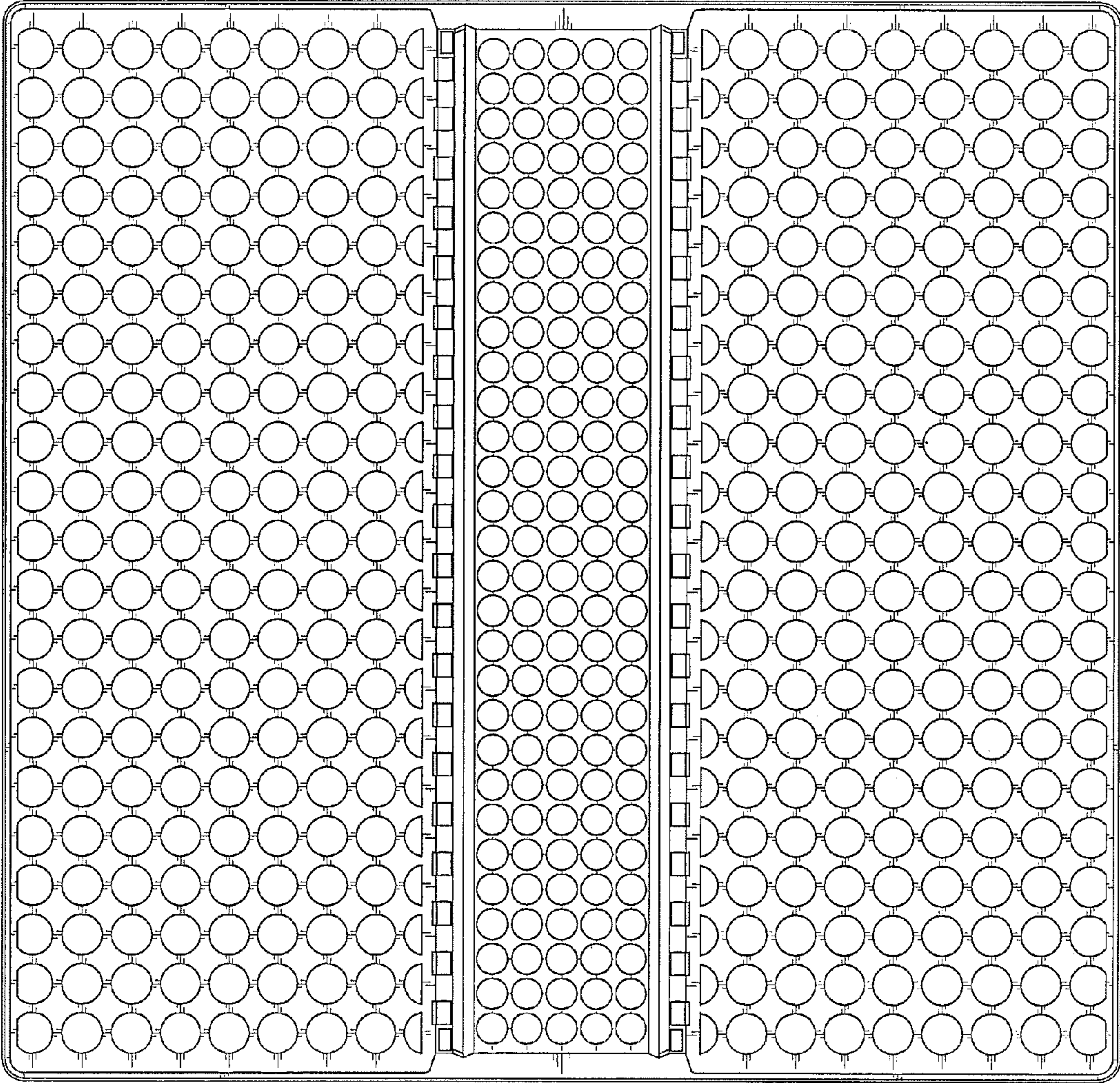


Fig. 8

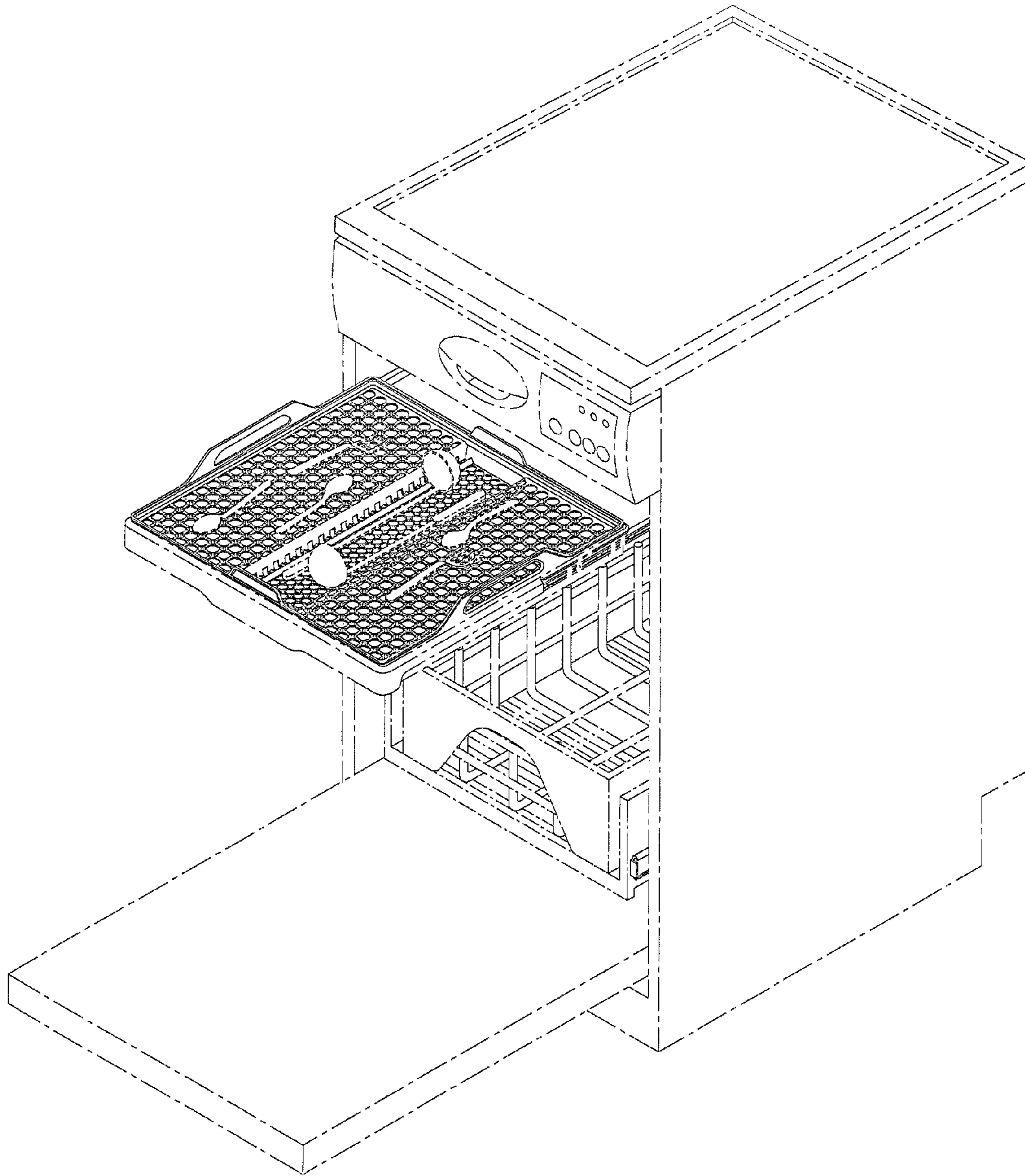


FIG. 9

