



US00D725850S

(12) **United States Design Patent**
Eidelman et al.

(10) **Patent No.:** **US D725,850 S**
(45) **Date of Patent:** **** Mar. 31, 2015**

- (54) **COLLAR ATTACHMENT**
- (71) Applicant: **Whistle Labs, Inc.**, San Francisco, CA (US)
- (72) Inventors: **Steven Eidelman**, San Francisco, CA (US); **Todd Pelman**, San Francisco, CA (US); **Stephen Senatore**, South San Francisco, CA (US); **Gadi Amit**, San Mateo, CA (US); **Inbal Etgar**, San Francisco, CA (US); **Solene Bourgeois**, San Francisco, CA (US)
- (73) Assignee: **Whistle Labs, Inc.**, San Francisco, CA (US)
- (**) Term: **14 Years**

| | | | | |
|-----------|------|---------|-----------------|-----------|
| 4,208,986 | A * | 6/1980 | Costanzo | 119/860 |
| 4,318,234 | A * | 3/1982 | Charles et al. | 40/665 |
| 4,809,700 | A * | 3/1989 | Castelli | 600/384 |
| 4,821,424 | A * | 4/1989 | Loggins | 33/474 |
| 4,940,020 | A * | 7/1990 | Gordon | 119/802 |
| D337,411 | S | 7/1993 | Smith | |
| D349,864 | S * | 8/1994 | Dunlap et al. | D11/3 |
| 5,473,830 | A * | 12/1995 | Doble | 40/301 |
| 5,603,094 | A * | 2/1997 | Greear, Jr. | 455/66.1 |
| 6,202,599 | B1 * | 3/2001 | Cutler | 119/859 |
| 6,314,058 | B1 * | 11/2001 | Lee | 368/10 |
| D454,991 | S * | 3/2002 | Muller | D30/152 |
| D460,221 | S * | 7/2002 | Sloot | D30/152 |
| 6,720,879 | B2 * | 4/2004 | Edwards | 340/573.3 |
| 7,140,989 | B2 | 11/2006 | Poruchny | |
| D565,182 | S * | 3/2008 | Cheng et al. | D24/167 |
| 7,341,561 | B2 * | 3/2008 | Tanaka et al. | 600/503 |
| D591,012 | S | 4/2009 | Geissler | |
| D597,676 | S * | 8/2009 | Copeland et al. | D24/187 |
| D599,241 | S | 9/2009 | Andre et al. | |

(Continued)

Primary Examiner — Martie K Holtje

(74) Attorney, Agent, or Firm — Hickman Palermo Truong
Becker Bingham Wong LLP

- (21) Appl. No.: **29/452,224**
- (22) Filed: **Apr. 12, 2013**
- (51) **LOC (10) Cl.** **30-99**
- (52) **U.S. Cl.**
USPC **D30/199; D30/152; D24/167**
- (58) **Field of Classification Search**
CPC . A01K 11/001; A01K 11/004; A01K 27/009;
A01K 29/005; A01K 15/021; A61B 5/00;
A61B 5/04; A61B 5/0408; G06F 19/3418;
G04G 21/025; G04B 47/063
USPC D30/144, 151, 152, 155, 199; 119/174,
119/718, 719, 720, 721, 802, 850, 855, 856,
119/859, 860, 863; D10/31, 32, 65, 69,
D10/104.1, 104.2; 33/474; 40/301, 303,
40/665; 340/573.1, 573.3, 573.4; 174/176,
174/188; 600/300, 500, 503; D24/165, 167,
D24/186, 187; 368/10
See application file for complete search history.

(57) **CLAIM**
The ornamental design for a collar attachment, as shown and described.

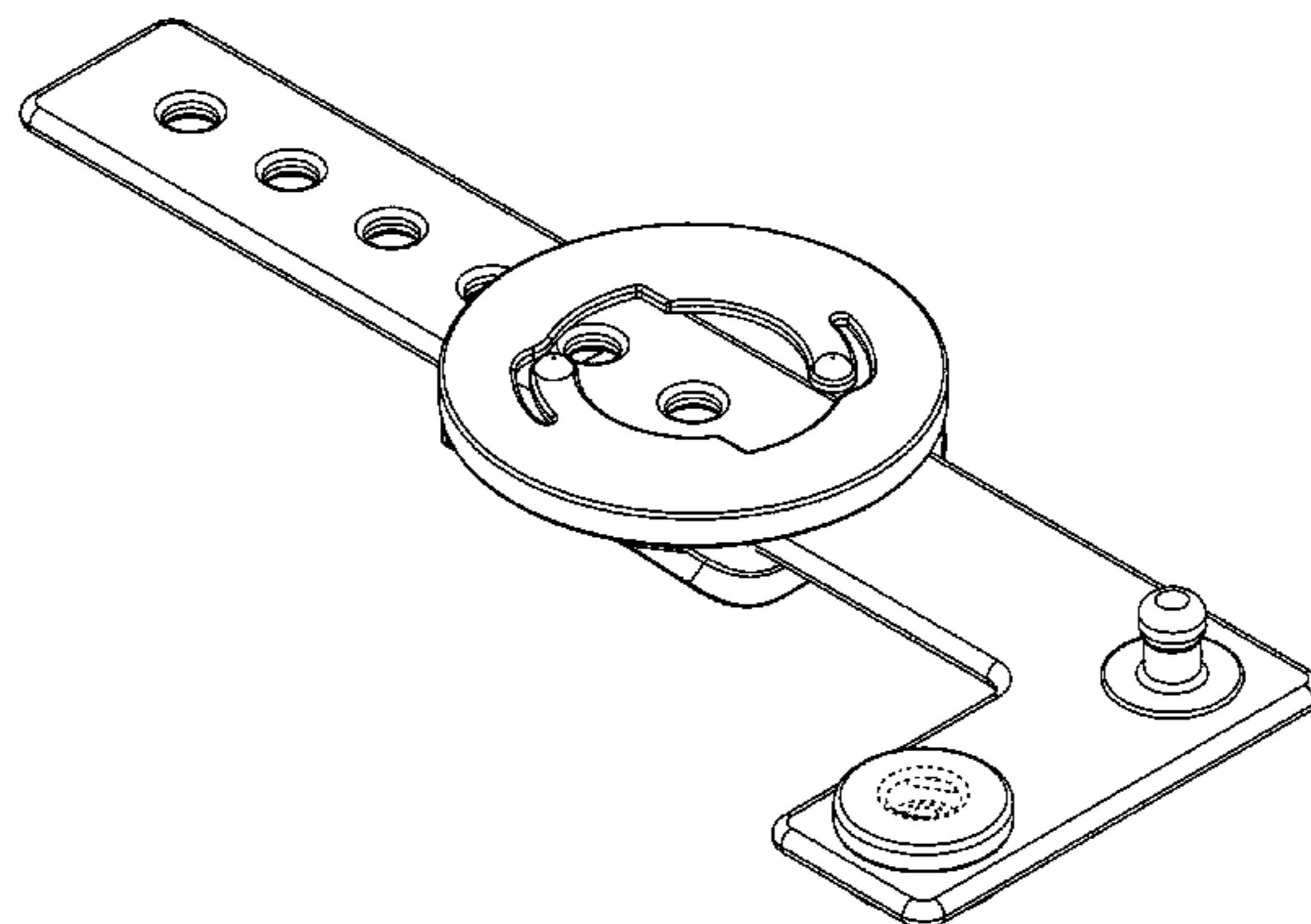
DESCRIPTION

FIG. 1 is a top perspective view of a collar attachment in accordance with the present design;
 FIG. 2 is a top plan view thereof;
 FIG. 3 is a bottom plan view thereof;
 FIG. 4 is a front elevation view thereof;
 FIG. 5 is a rear elevation view thereof;
 FIG. 6 is a right side elevation view thereof; and,
 FIG. 7 is a left side elevation view thereof.

The structural features depicted by broken lines in FIGS. 1 through 3 have been shown for the purpose of illustrating portions of the collar attachment that form no part of the claimed design.

1 Claim, 7 Drawing Sheets

- (56) **References Cited**
U.S. PATENT DOCUMENTS
3,477,409 A * 11/1969 Costanzo 119/174
3,782,017 A * 1/1974 Graham 40/303



(56)

References Cited

U.S. PATENT DOCUMENTS

7,705,736 B1 * 4/2010 Kedziora 340/573.3
D618,802 S * 6/2010 Brady et al. D24/167
D619,256 S * 7/2010 Brady et al. D24/167
D657,274 S * 4/2012 Neethling D10/69

D671,921 S 12/2012 Beall et al.
2002/0010390 A1 * 1/2002 Guice et al. 600/300
2009/0013939 A1 * 1/2009 Santiago et al. 119/719
2012/0048213 A1 * 3/2012 Konovalov 119/718
2013/0006065 A1 * 1/2013 Yanai et al. 600/300

* cited by examiner

FIGURE 1

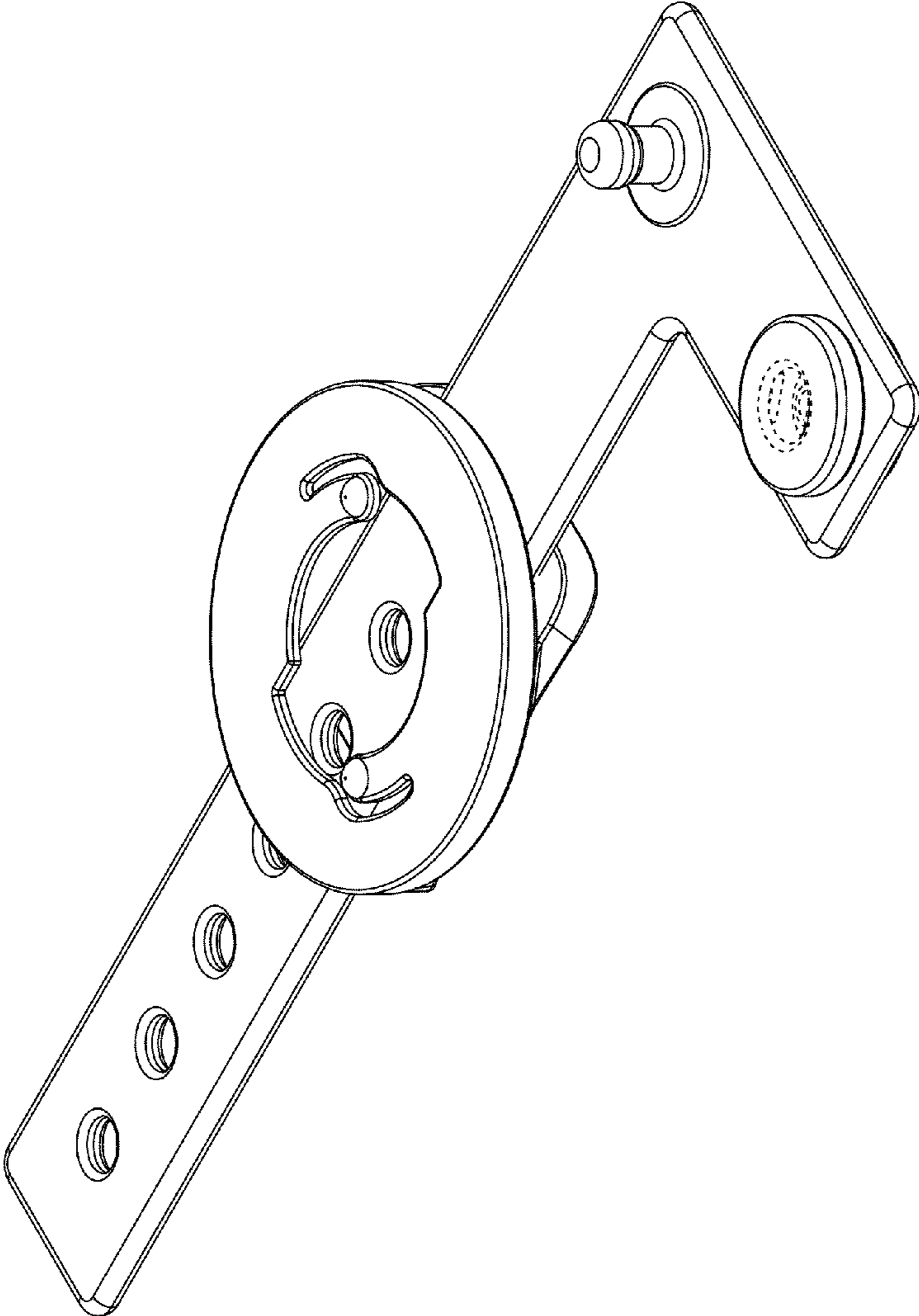


FIGURE 2

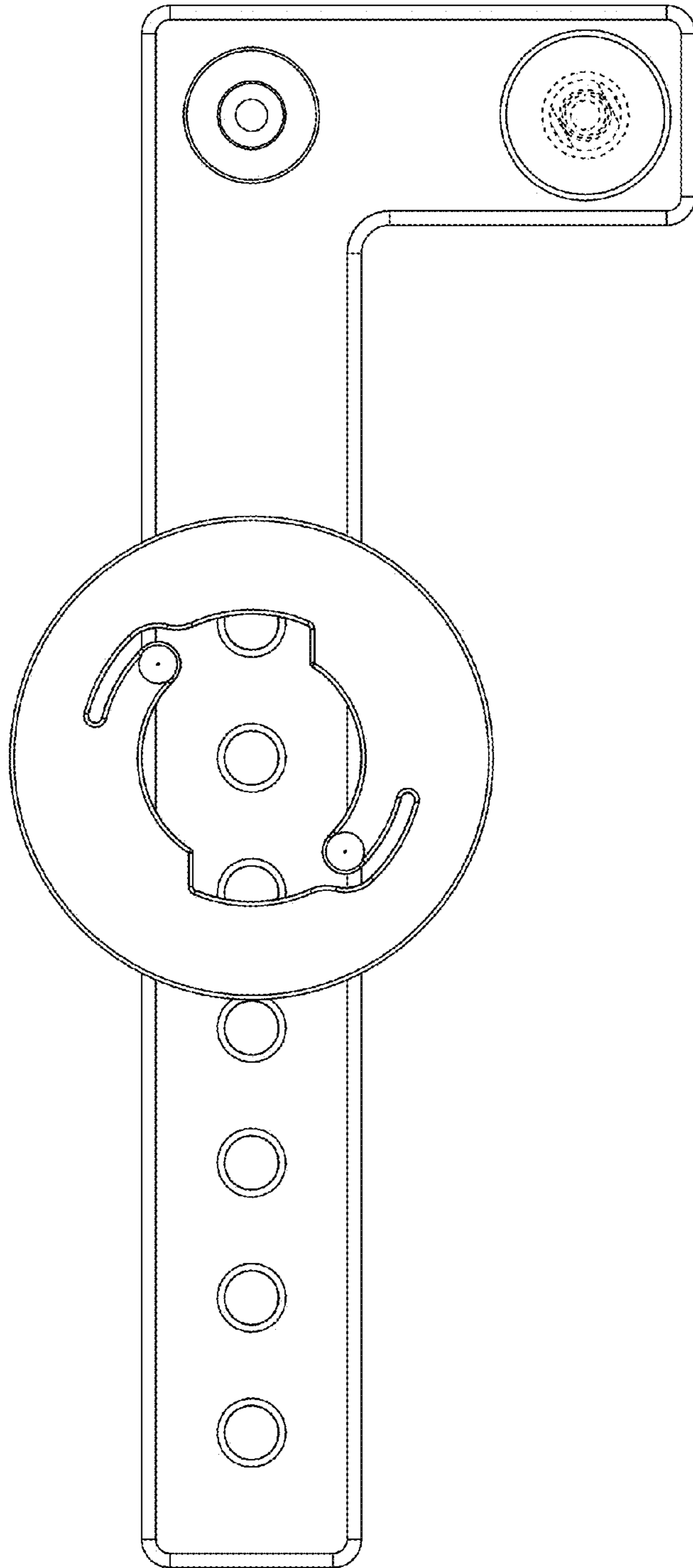


FIGURE 3

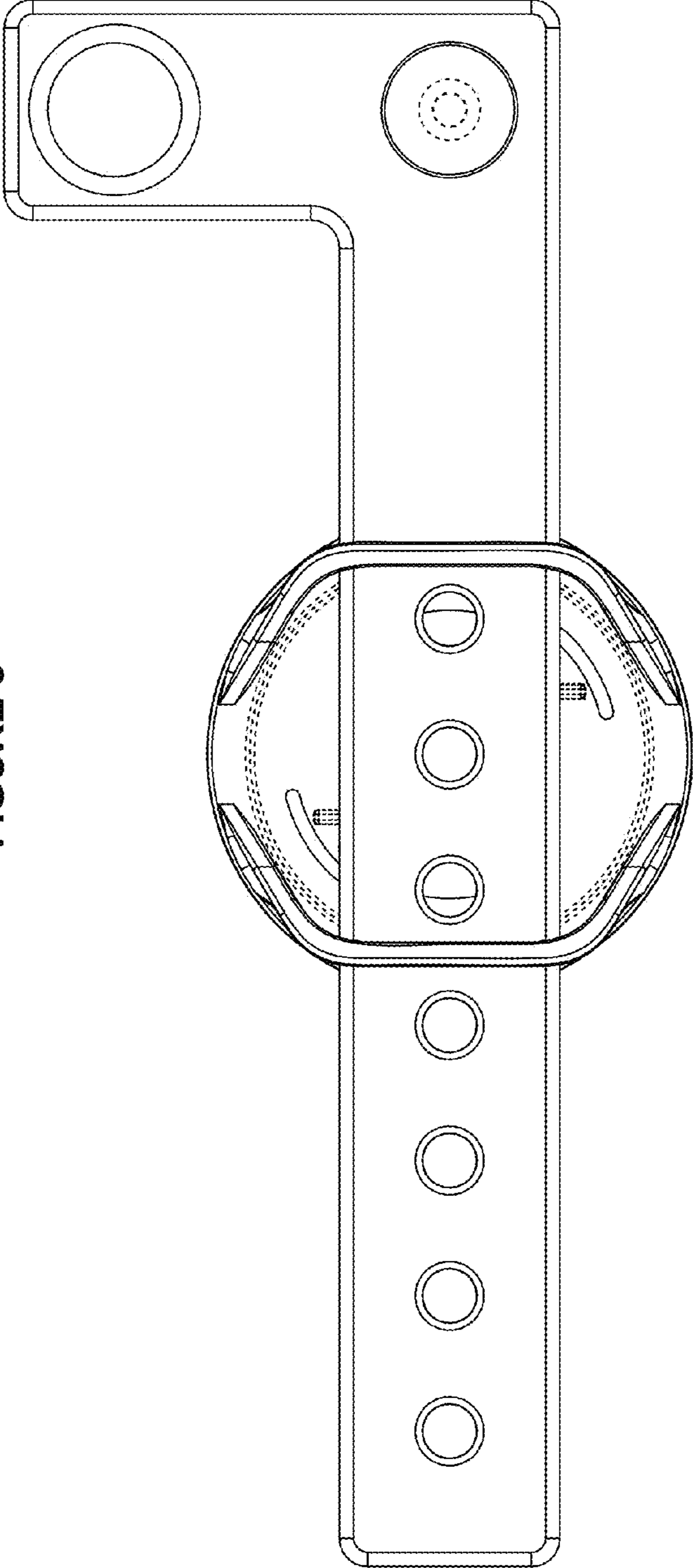


FIGURE 4

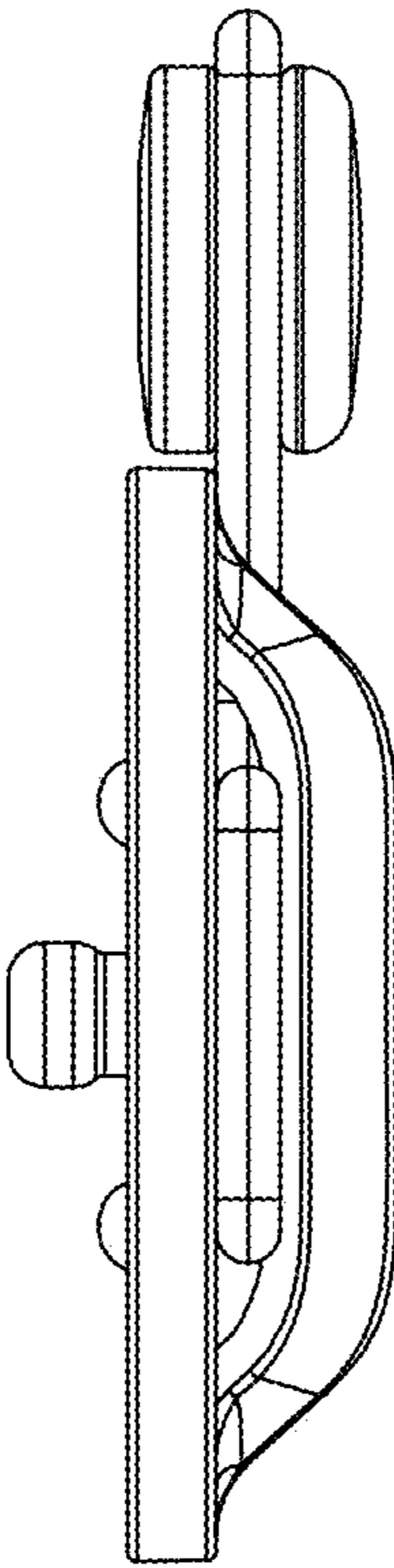


FIGURE 5

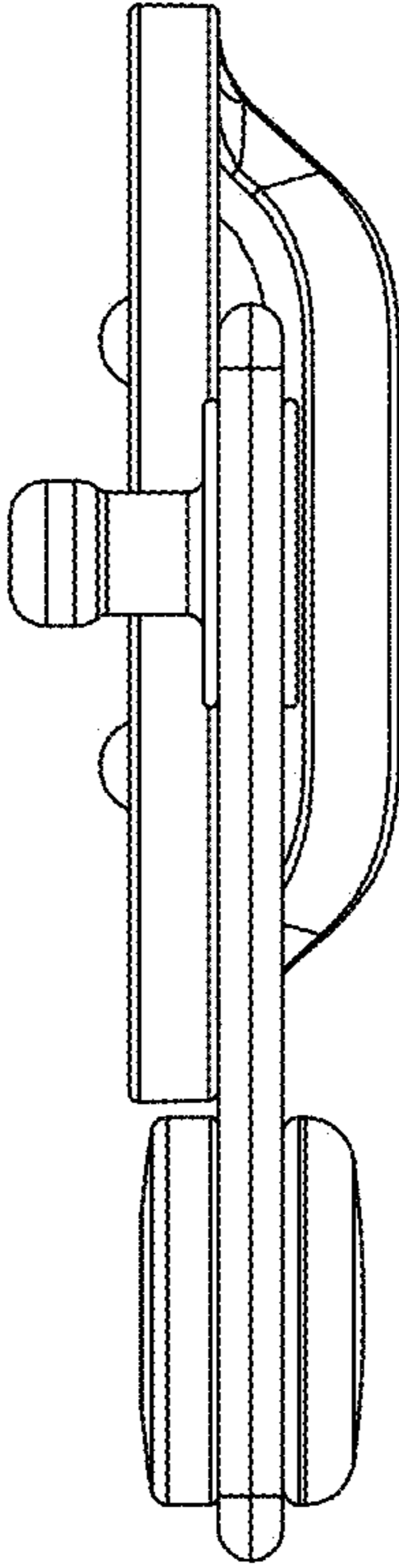


FIGURE 6

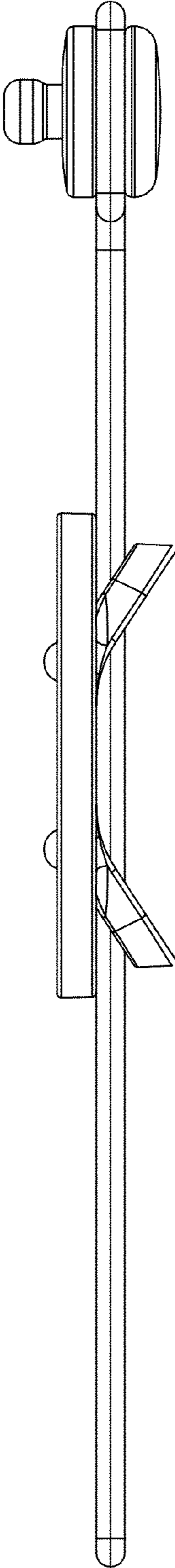


FIGURE 7

