



US00D725848S

(12) **United States Design Patent**
So

(10) **Patent No.:** **US D725,848 S**
(45) **Date of Patent:** **** Mar. 31, 2015**

(54) **BARK CONTROL RECEIVER**
(75) Inventor: **Min Jae So**, Seoul (KR)
(73) Assignee: **Dogtra Co., Ltd.** (KR)
(**) Term: **14 Years**

7,503,285	B2 *	3/2009	Mainini et al.	119/719
7,607,406	B2 *	10/2009	So	119/719
2002/0139565	A1 *	10/2002	Bradford	174/188
2005/0235924	A1 *	10/2005	Lee et al.	119/718
2006/0283401	A1 *	12/2006	Mainini et al.	119/859
2007/0204804	A1 *	9/2007	Swanson et al.	119/721
2008/0134987	A1 *	6/2008	Lee et al.	119/718
2010/0050954	A1 *	3/2010	Lee et al.	119/718

(21) Appl. No.: **29/426,181**
(22) Filed: **Jul. 2, 2012**

(51) **LOC (10) Cl.** **30-99**
(52) **U.S. Cl.**
USPC **D30/199; D30/152**

(58) **Field of Classification Search**
CPC ... A01K 15/021; A01K 15/022; A01K 15/04;
A01K 11/006; A21K 27/009
USPC D30/144, 145, 151, 152, 153, 155, 199;
D10/104.1; 119/712, 718, 719, 720,
119/721, 856, 858, 859, 860; 340/573.1,
340/573.3, 573.4; 174/176, 188
See application file for complete search history.

(56) **References Cited**

U.S. PATENT DOCUMENTS

D410,206	S *	5/1999	Slater	D10/104.1
D417,835	S *	12/1999	Williams	D8/356
D478,830	S *	8/2003	So	D30/199
D478,831	S *	8/2003	So	D10/104.1
D482,979	S *	12/2003	So	D10/104.1
6,928,958	B2 *	8/2005	Crist et al.	119/718
7,069,878	B2 *	7/2006	Mugford	119/712
D526,590	S *	8/2006	So	D10/104.1
7,222,589	B2 *	5/2007	Lee et al.	119/718
7,252,051	B2 *	8/2007	Napolez et al.	119/718

OTHER PUBLICATIONS

Exhibition Guide, Interzoo 2012, May 2012, International Trade Fair for Pet Supplies, Nurnberg, Germany.

* cited by examiner

Primary Examiner — Martie K Holtje

(74) *Attorney, Agent, or Firm* — Cantor Colburn LLP

(57) **CLAIM**

The ornamental design for bark control receiver, as shown and described.

DESCRIPTION

FIG. 1 is a front perspective view of a bark control receiver showing my new design;
FIG. 2 is a front elevational view thereof;
FIG. 3 is a rear elevational view thereof;
FIG. 4 is a left side elevational view thereof;
FIG. 5 is a right side elevational view thereof;
FIG. 6 is a top plan view thereof;
FIG. 7 is a bottom plan view thereof; and,
FIG. 8 is a rear perspective view thereof.

1 Claim, 8 Drawing Sheets

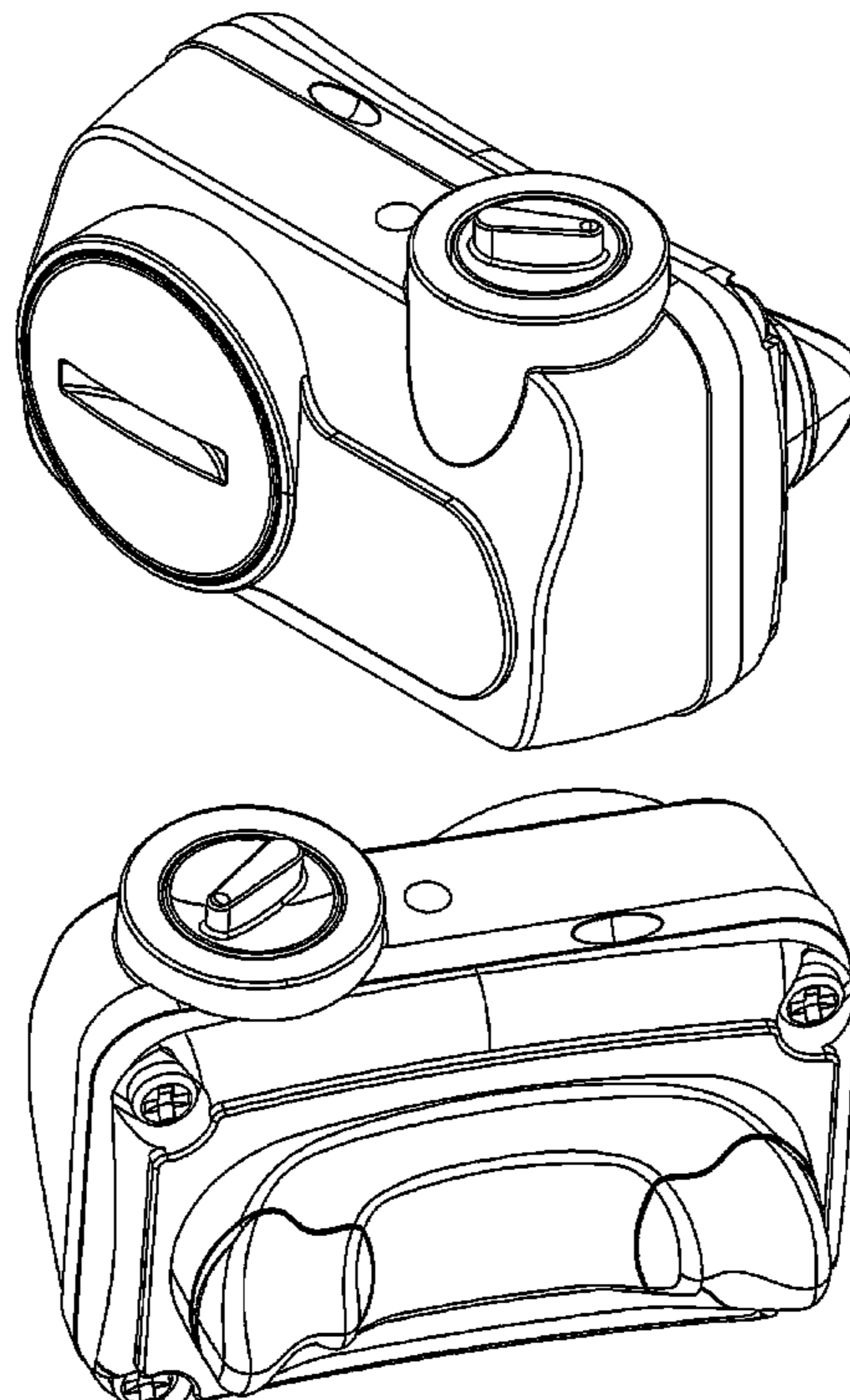


FIG. 1

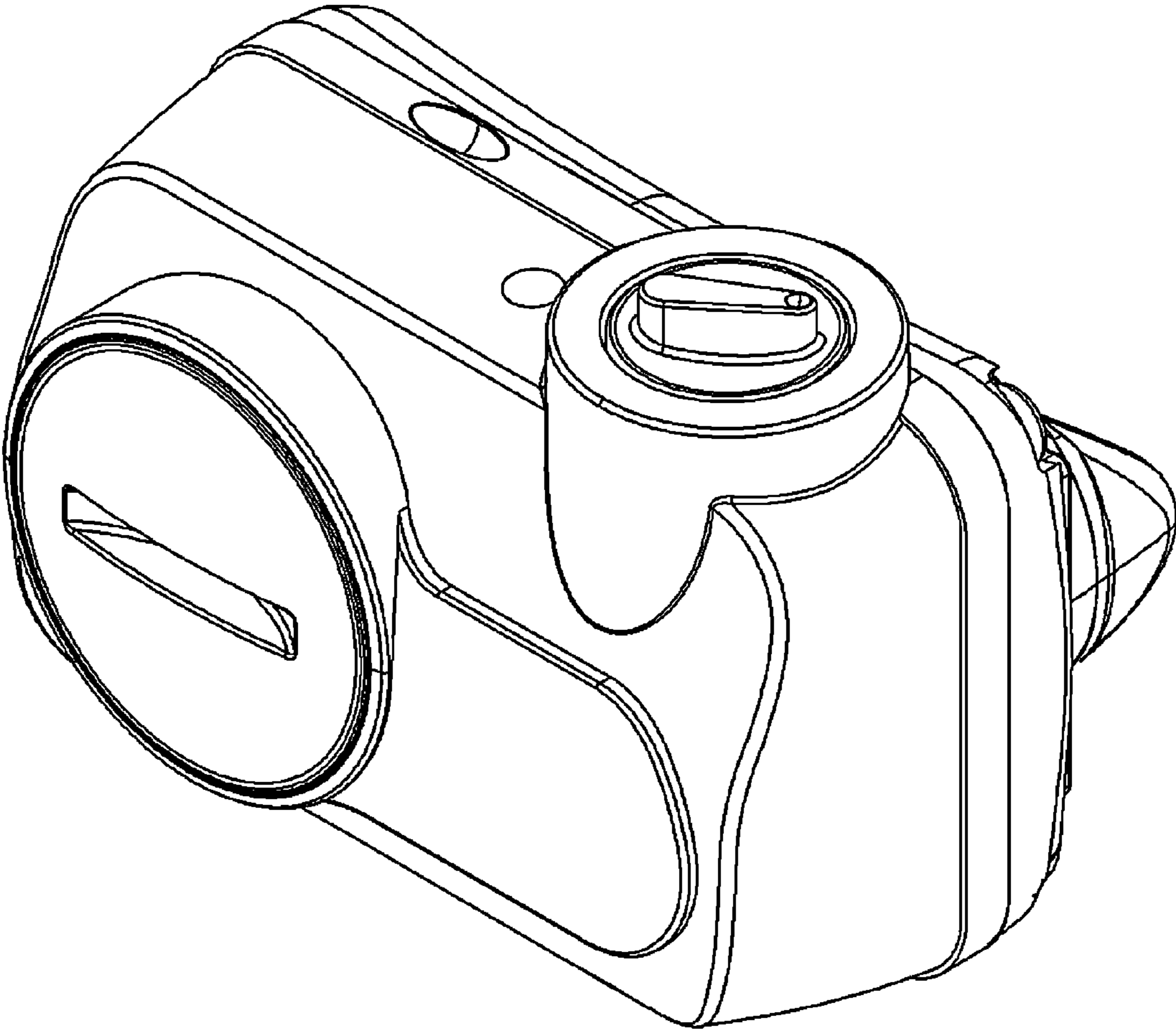


FIG. 2

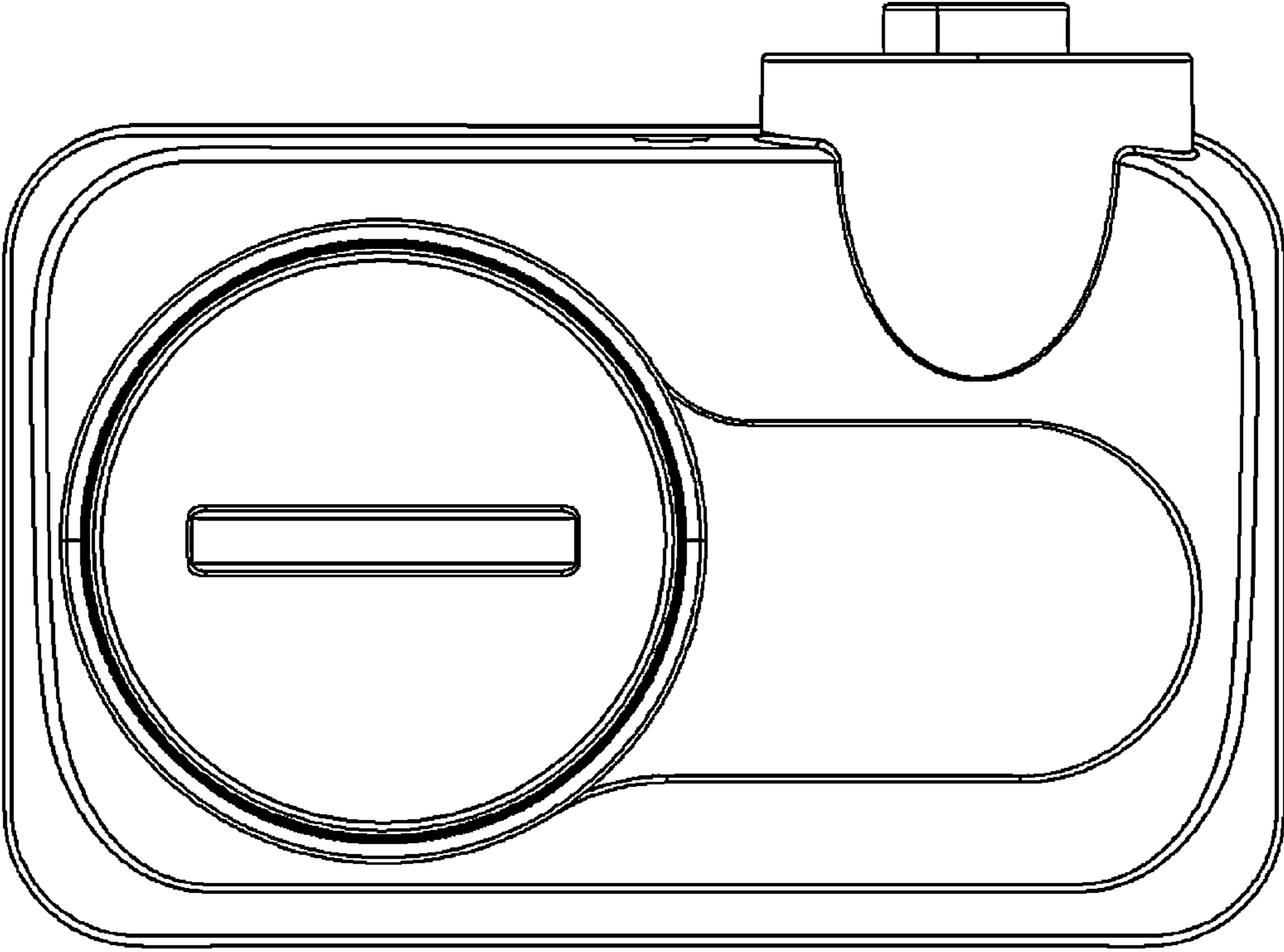


FIG. 3

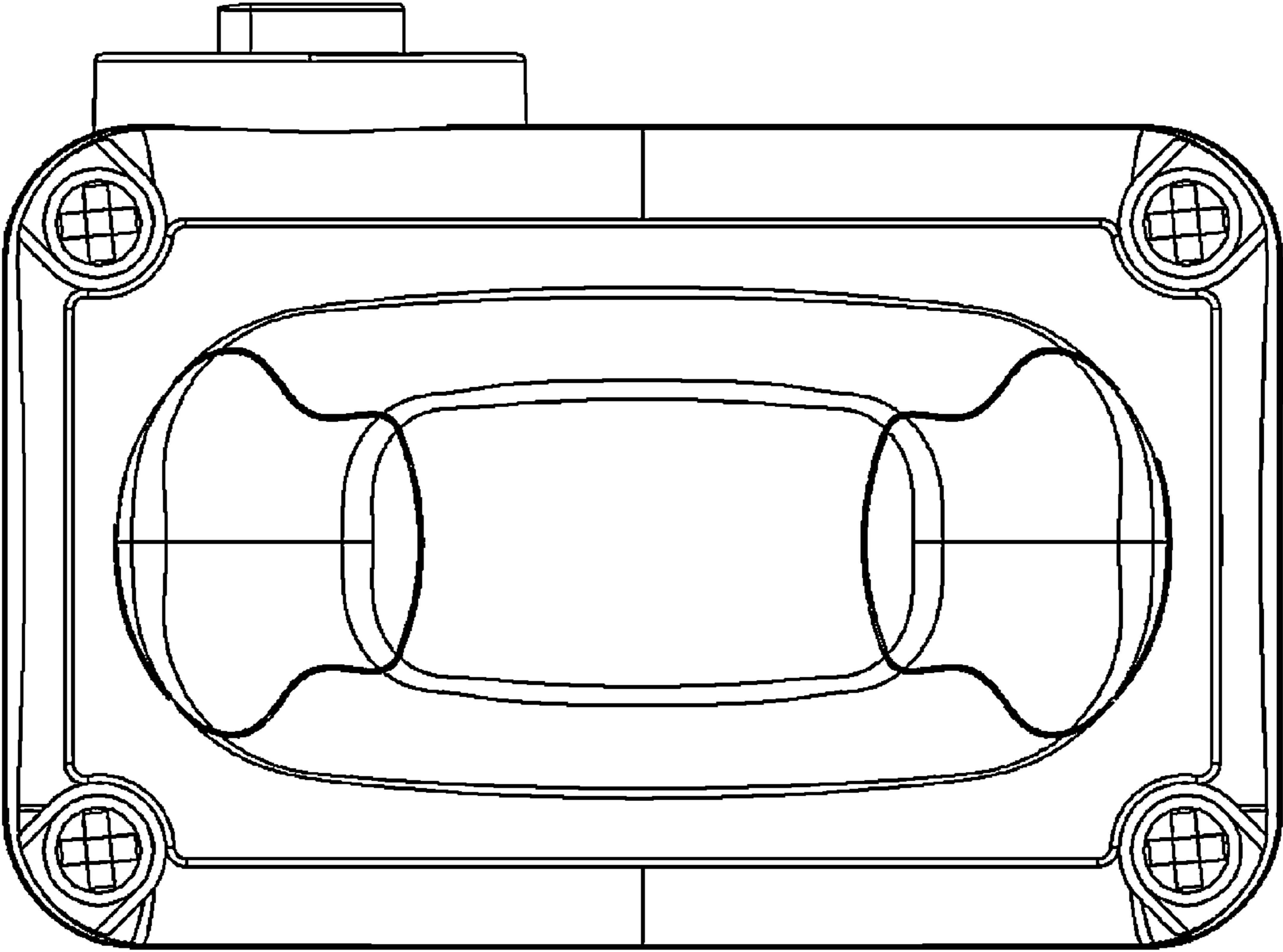


FIG. 4

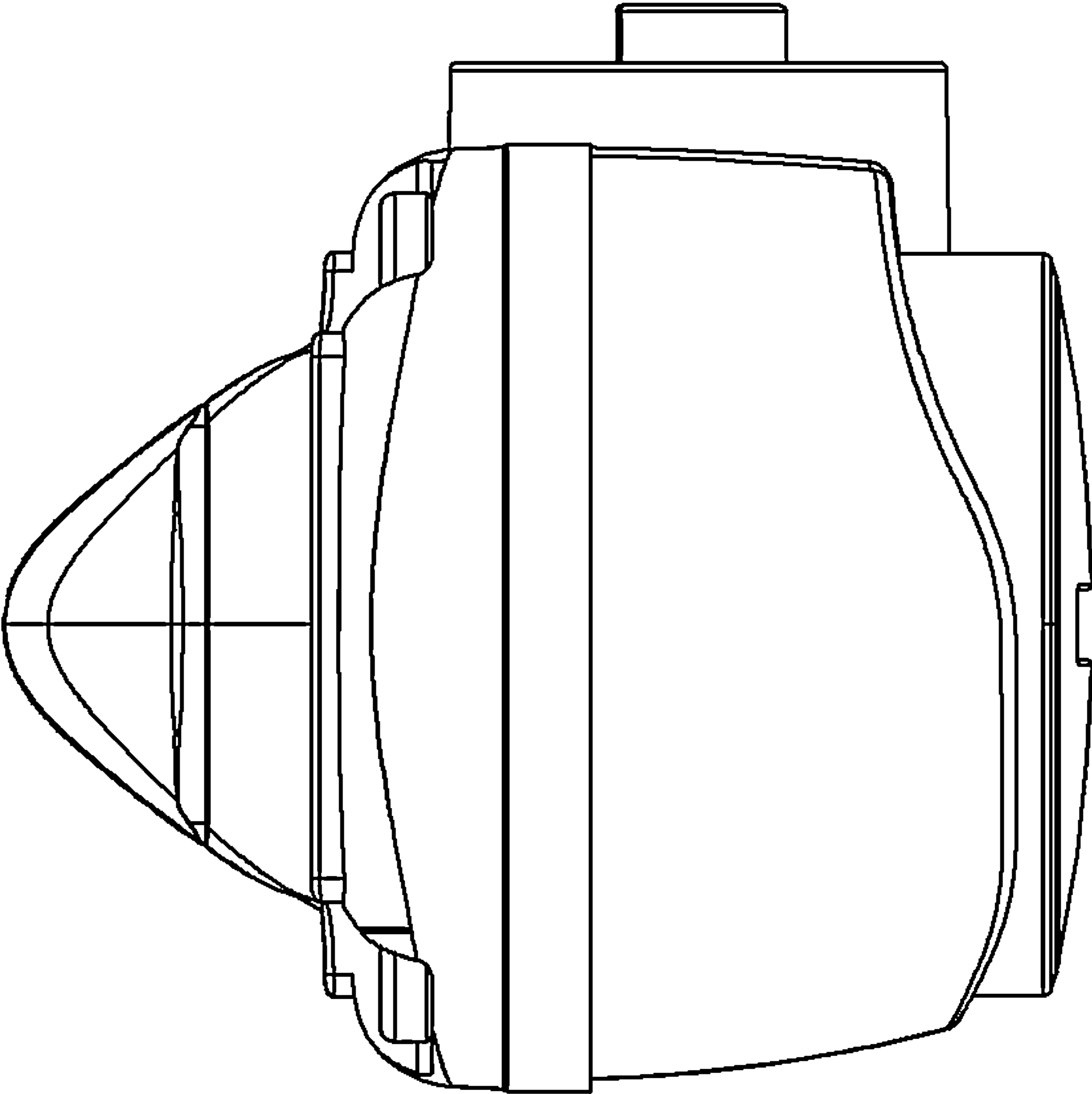


FIG. 5

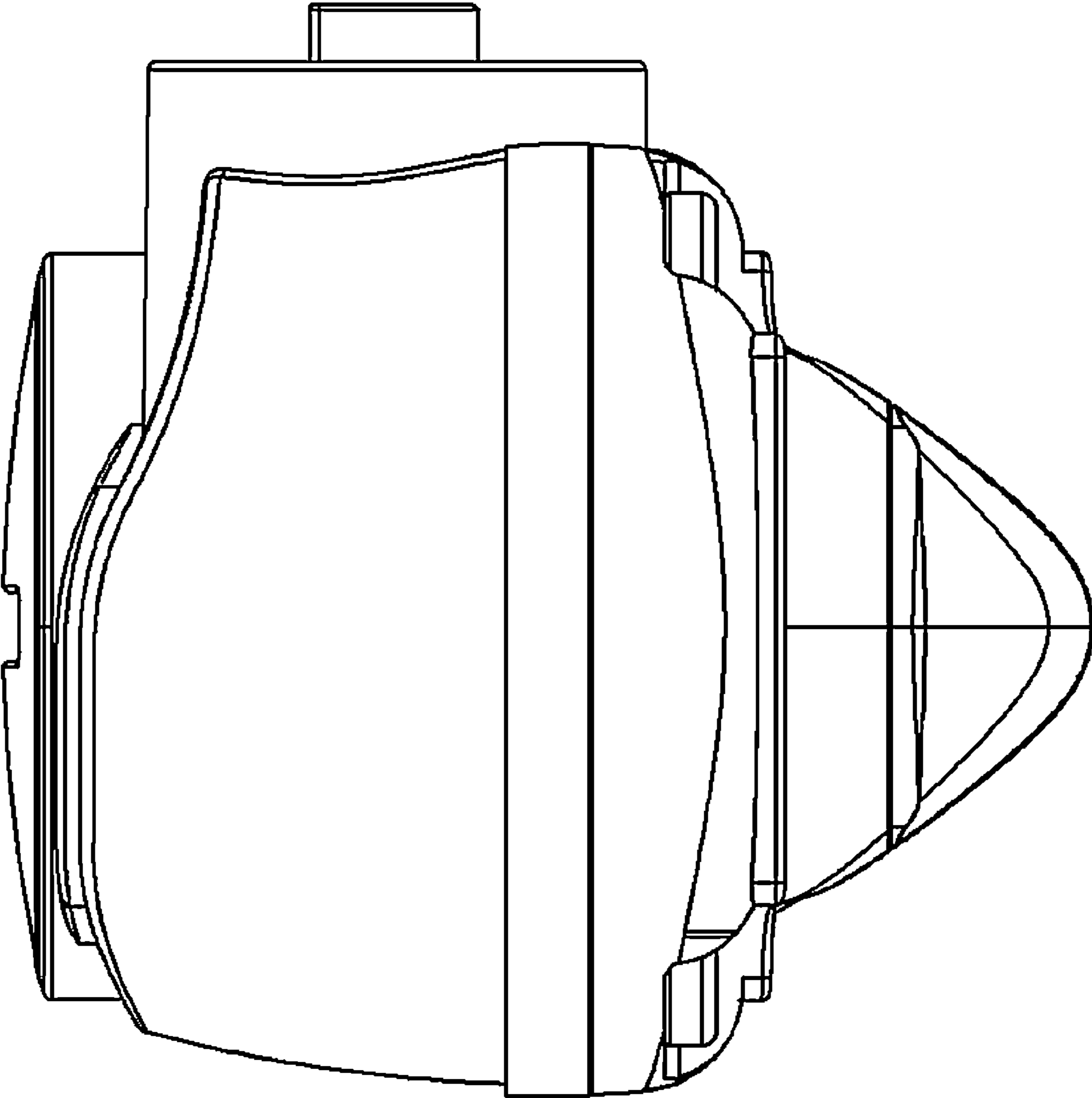


FIG. 6

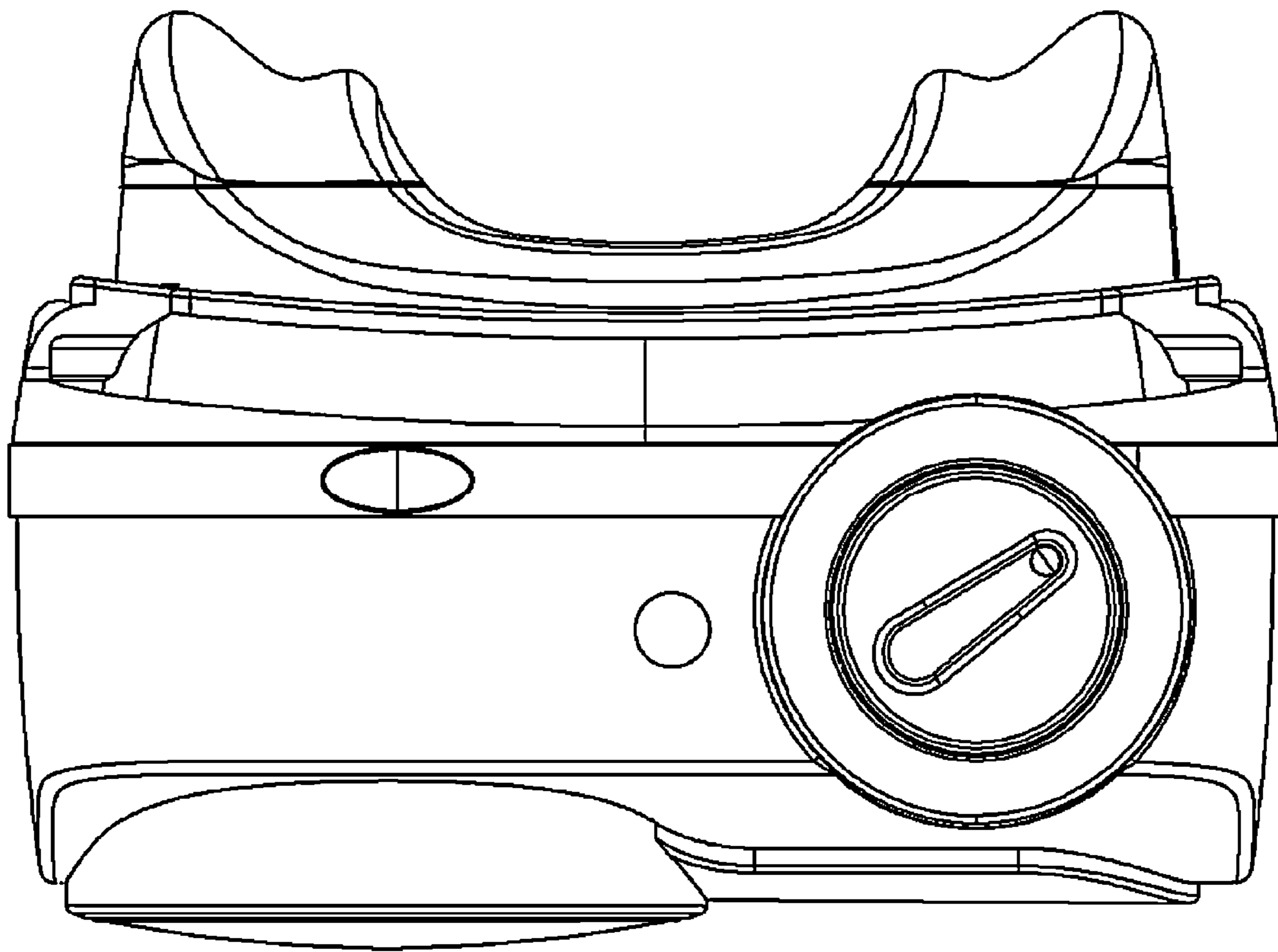


FIG. 7

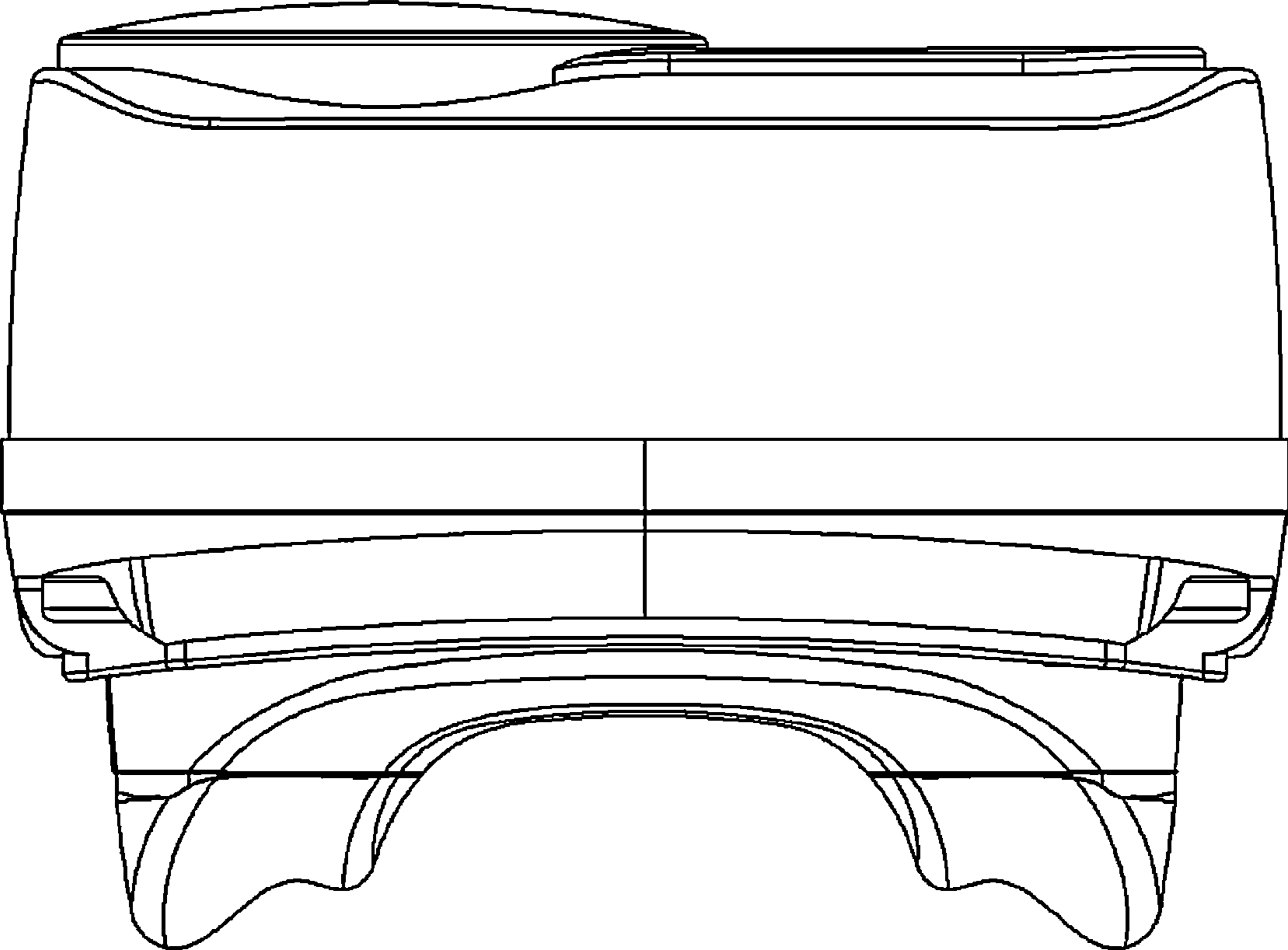


FIG. 8

