



US00D725846S

(12) **United States Design Patent**
Lambert

(10) **Patent No.:** **US D725,846 S**
(45) **Date of Patent:** **** Mar. 31, 2015**

(54) **SPONGE FOR THE CARE AND MAINTENANCE OF ANIMALS**

(71) Applicant: **Lisa Lambert**, Norfolk (GB)

(72) Inventor: **Lisa Lambert**, Norfolk (GB)

(**) Term: **14 Years**

(21) Appl. No.: **29/445,156**

(22) Filed: **Feb. 8, 2013**

(30) **Foreign Application Priority Data**

Oct. 19, 2012 (EM) 002121590-0001

(51) **LOC (10) Cl.** **30-99**

(52) **U.S. Cl.**
USPC **D30/158**; D30/199; D32/40

(58) **Field of Classification Search**
CPC ... A01K 13/00; A01K 13/001; A01K 13/002;
A45D 34/042; A47K 7/02; A47L 13/16;
A47L 13/257; A61D 11/00
USPC D30/158, 159, 199; D4/114, 115, 127,
D4/137; D28/7, 63; 119/602-604, 600,
119/612, 664, 665; D32/40, 50, 51;
15/220.1, 244.1, 244.2, 244.4, 228;
401/1, 42, 143
See application file for complete search history.

(56) **References Cited**

U.S. PATENT DOCUMENTS

1,621,550 A * 3/1927 Lehr 15/244.4
1,840,812 A * 1/1932 Hardy 601/155
D152,136 S * 12/1948 Berry D32/50
2,517,213 A * 8/1950 Kautenberg 15/244.1
2,736,913 A * 3/1956 Mirth 401/143

2,764,774 A * 10/1956 Belsky et al. 15/228
3,271,809 A * 9/1966 Morawski 401/42
5,734,356 A * 3/1998 Chang 343/882
5,791,008 A * 8/1998 Crabtree 15/244.1
D424,570 S * 5/2000 Hockett et al. D14/238
D483,916 S * 12/2003 Crosswaite D32/40
6,948,451 B2 * 9/2005 Bond et al. 119/665
D514,744 S * 2/2006 Angeletta D28/7
D538,987 S * 3/2007 Angeletta D32/40
7,309,180 B2 * 12/2007 Russell et al. 401/1
7,509,925 B2 * 3/2009 Embry 119/603
D670,469 S * 11/2012 Polk D32/40
D683,509 S * 5/2013 Tseng D32/50
2005/0235446 A1 * 10/2005 Eggers 15/220.1
2006/0174842 A1 * 8/2006 Bond et al. 119/664

* cited by examiner

Primary Examiner — Martie K Holtje

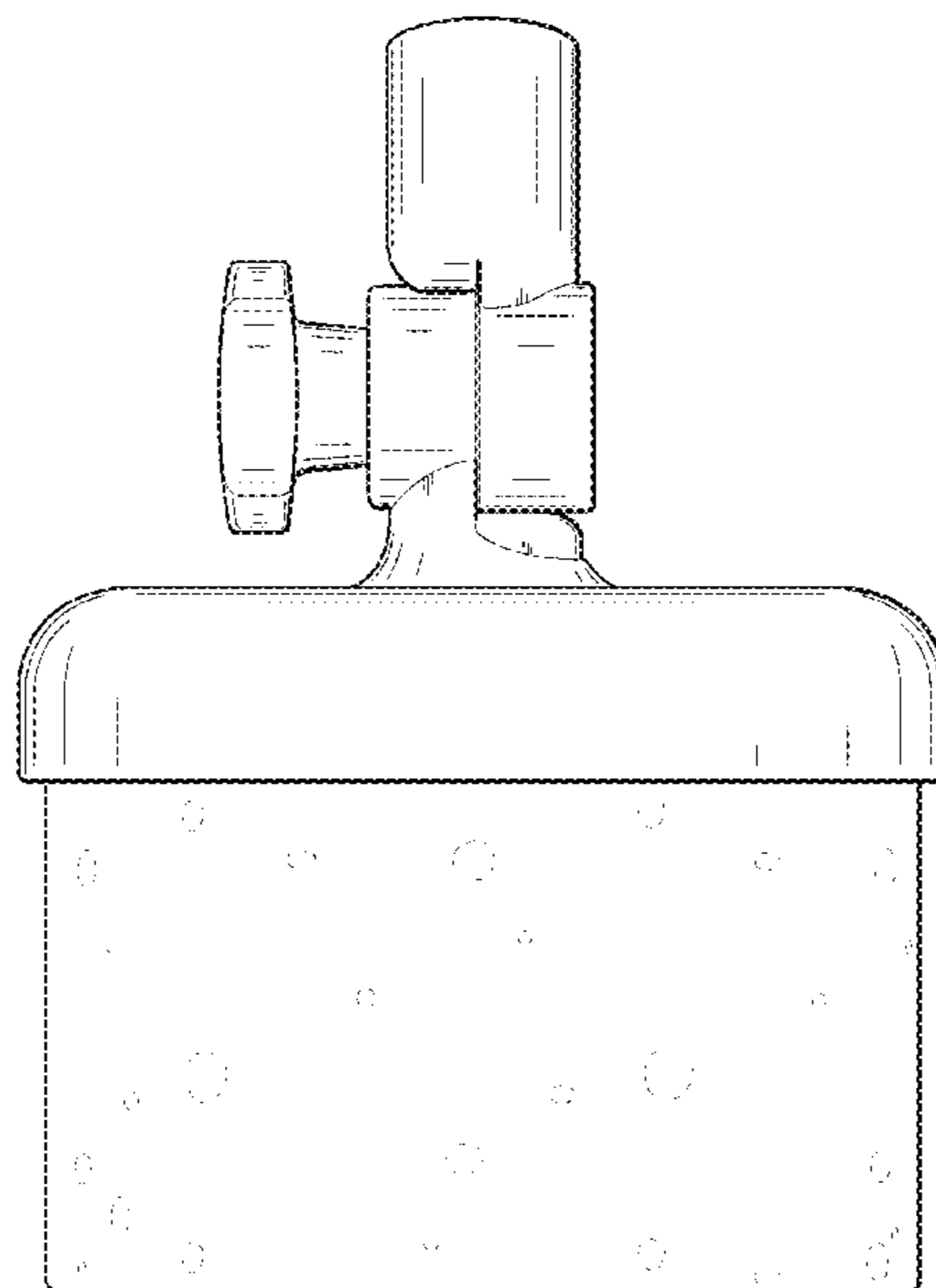
(57) **CLAIM**

The ornamental design for a sponge for the care and maintenance of animals, as shown and described.

DESCRIPTION

FIG. 1 is a front elevational view of a sponge for the care and maintenance of animals showing my new design;
FIG. 2 is a top, rear perspective view thereof;
FIG. 3 is a rear elevational view thereof;
FIG. 4 is a left side elevational view thereof;
FIG. 5 is a right side elevational view thereof;
FIG. 6 is a top plan view thereof;
FIG. 7 is a bottom perspective view thereof; and,
FIG. 8 is a bottom plan view thereof.
The elements depicted by broken lines in the drawing figures have been shown for the purpose of illustrating portions of the sponge for the care and maintenance of animals that form no part of the claimed design.

1 Claim, 8 Drawing Sheets



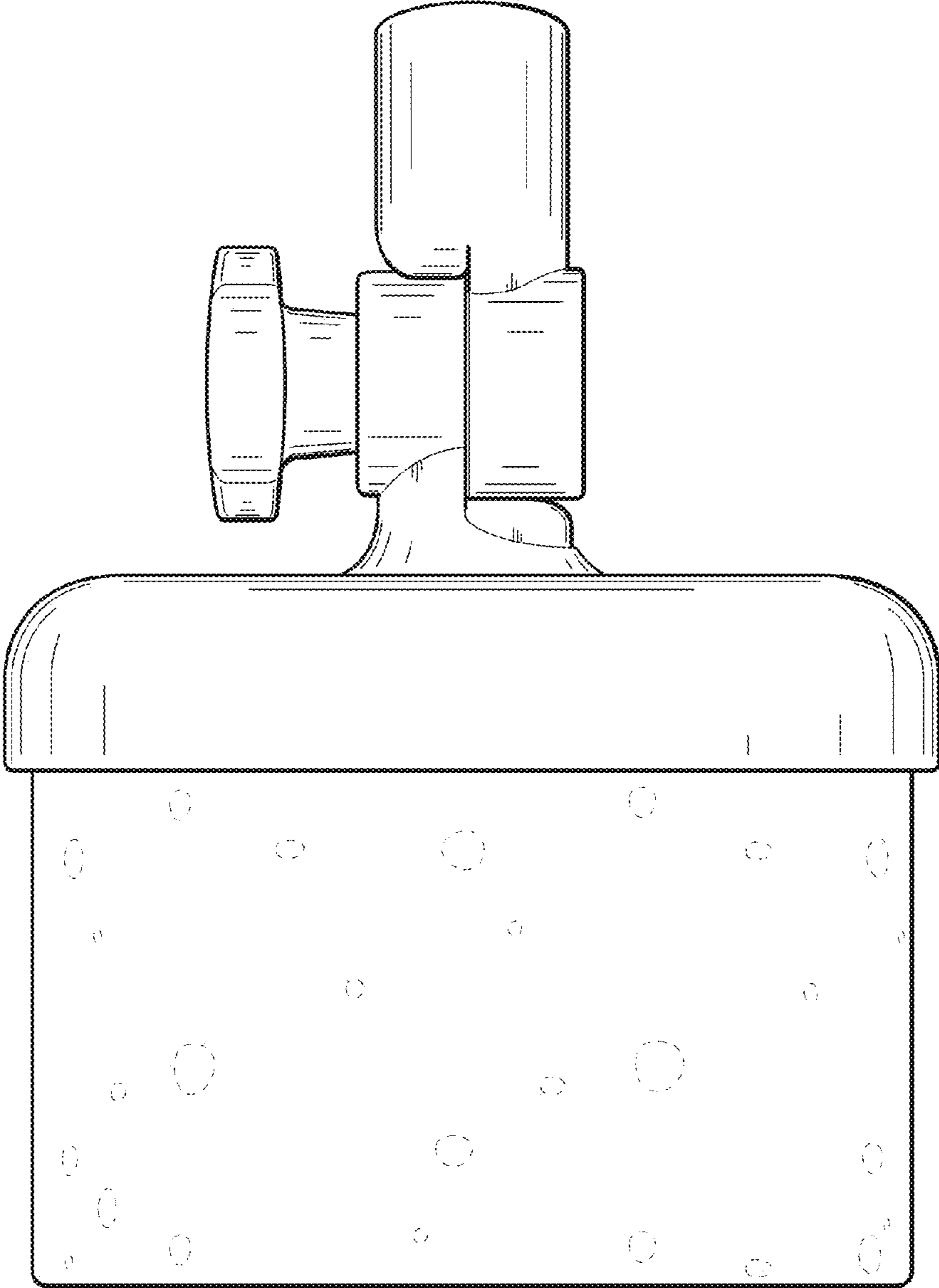


Fig. 1

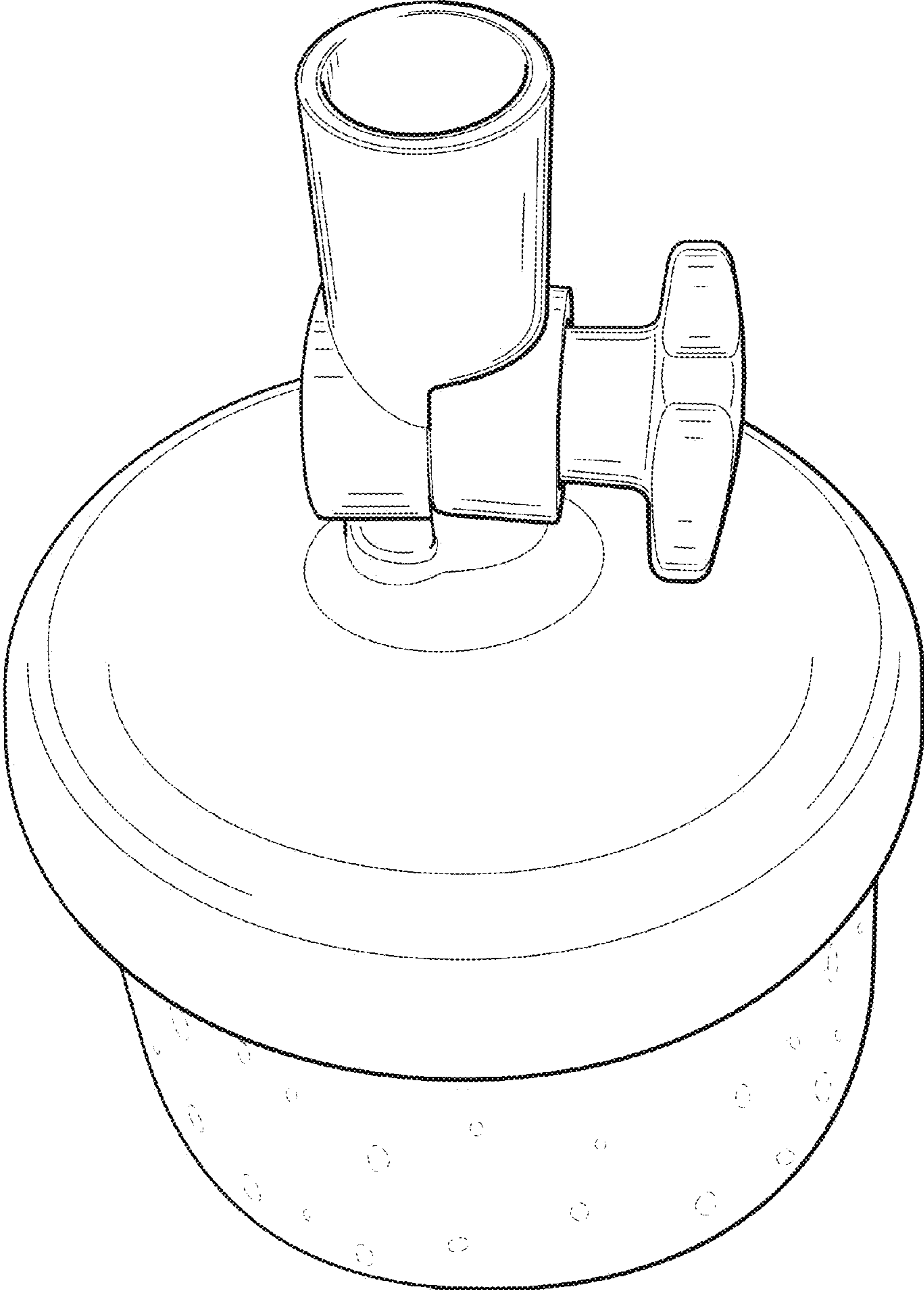


Fig. 2

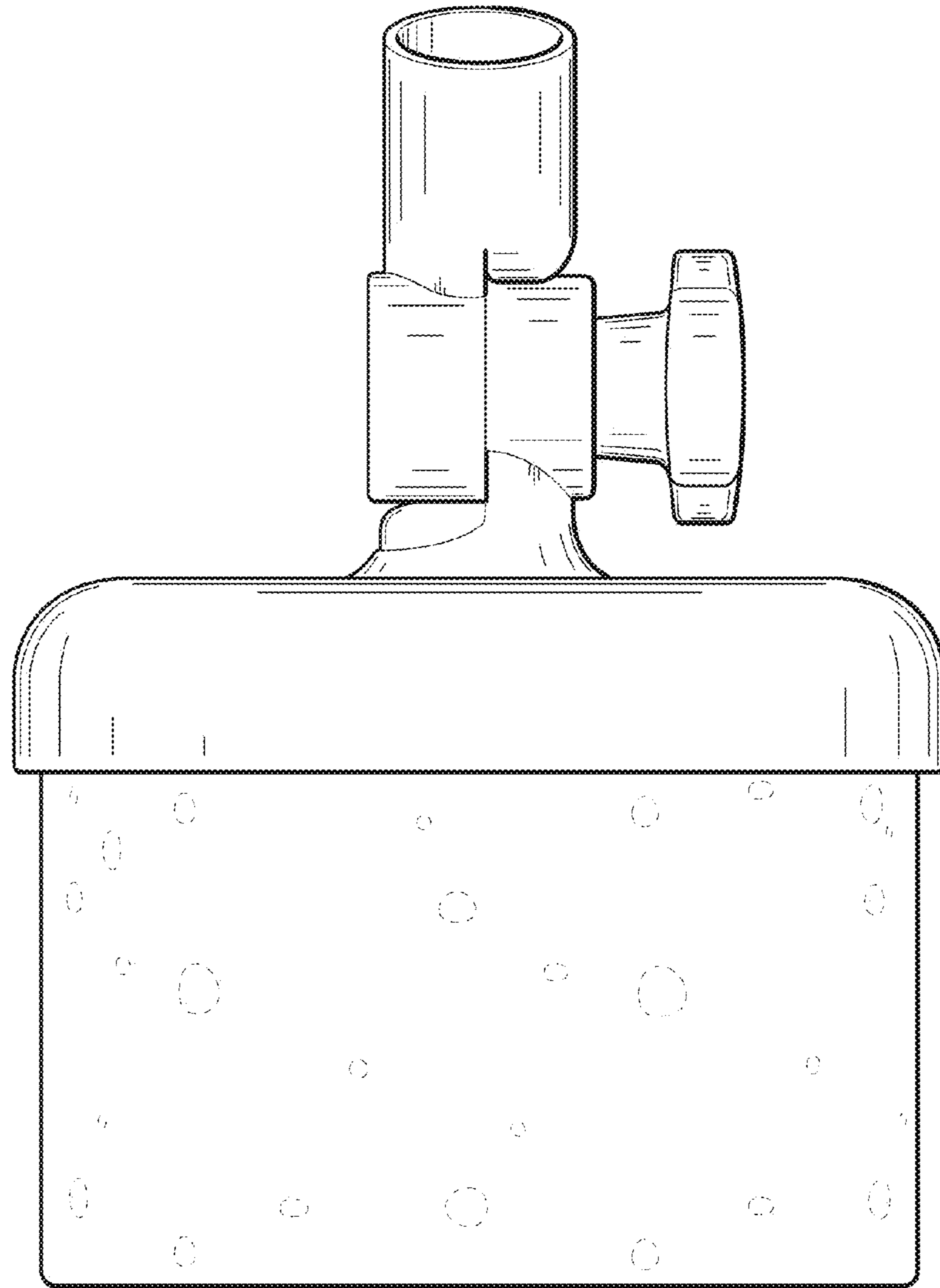


Fig. 3

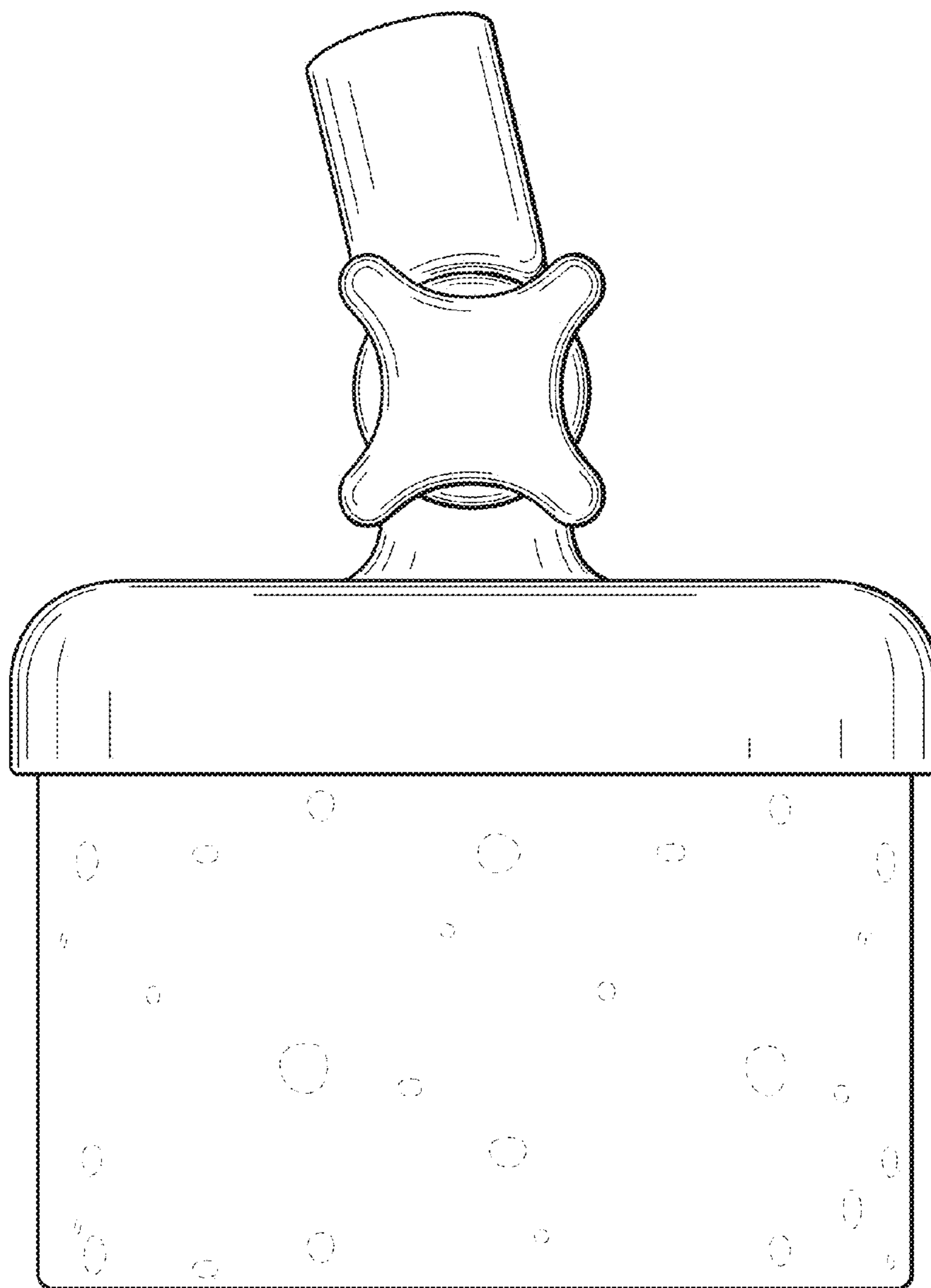


Fig. 4

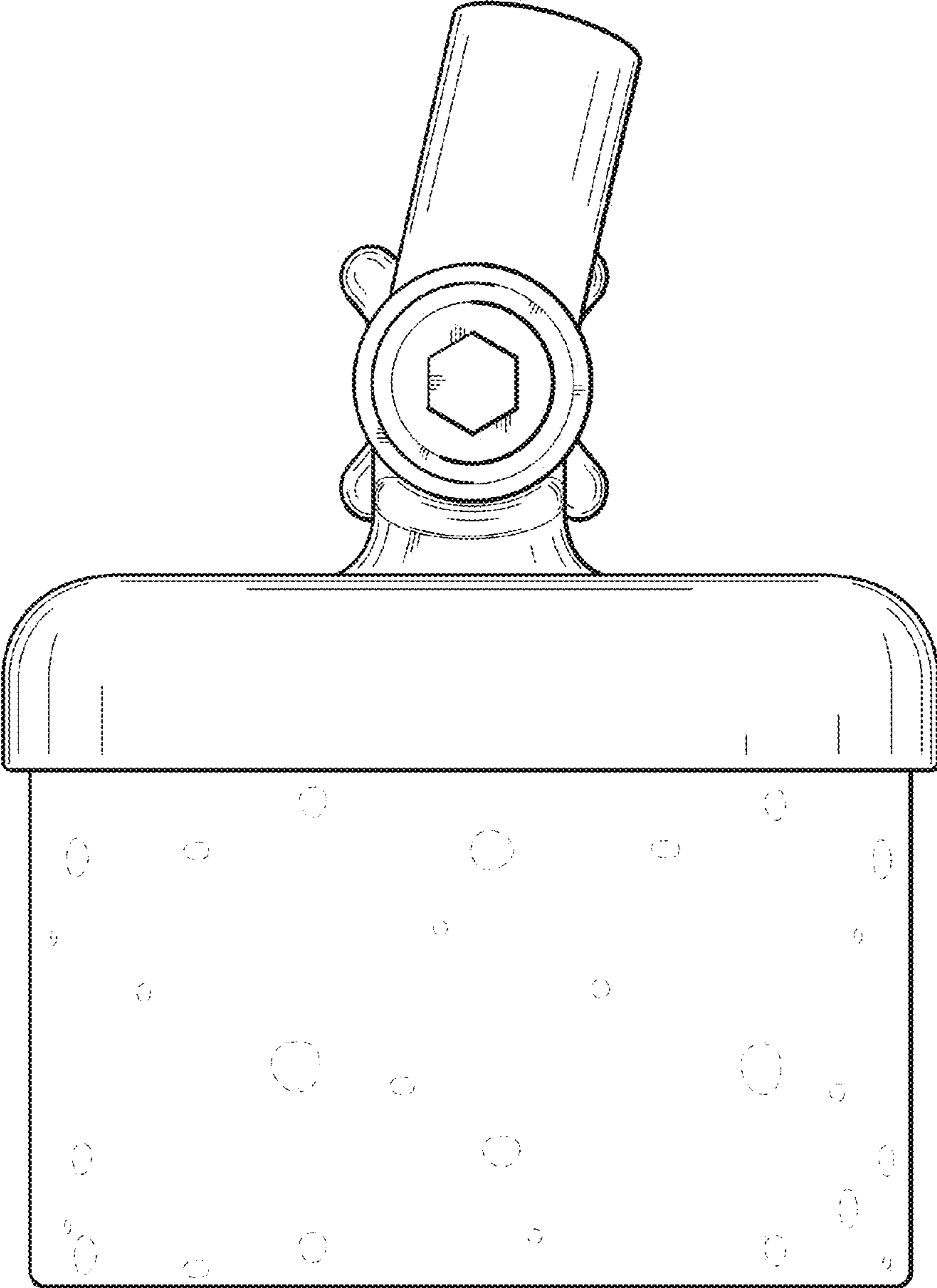


Fig. 5

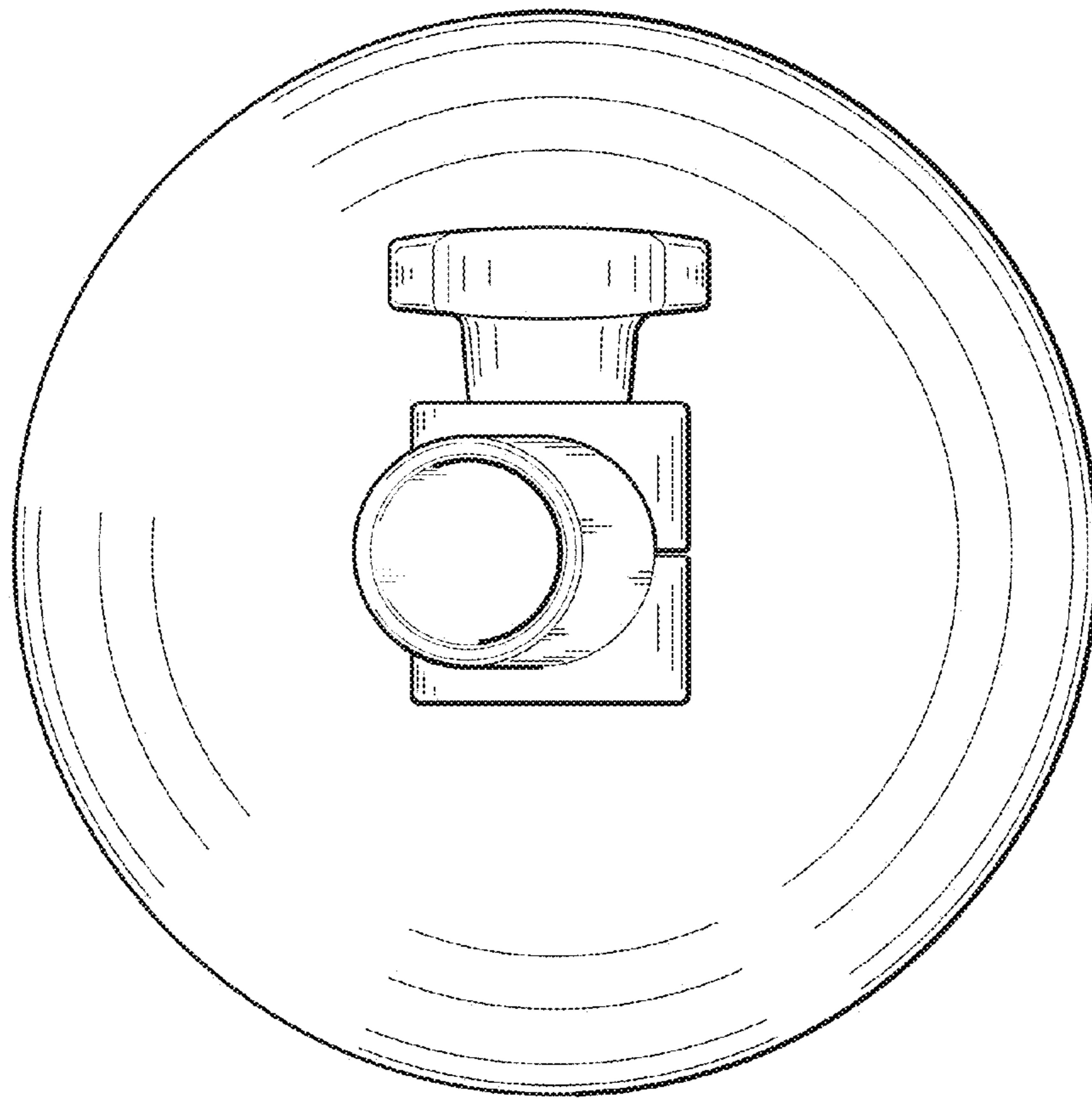


Fig. 6

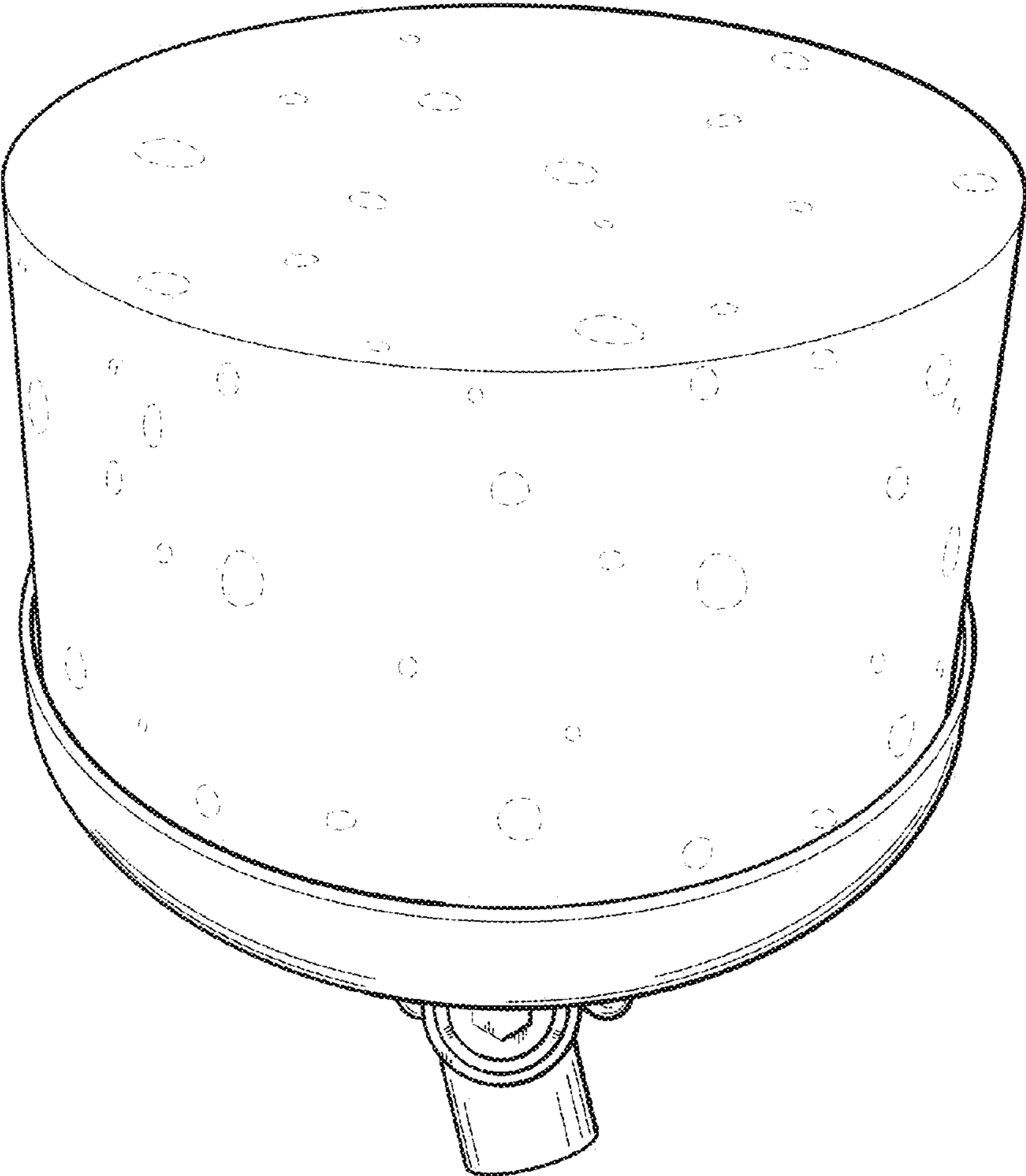


Fig. 7

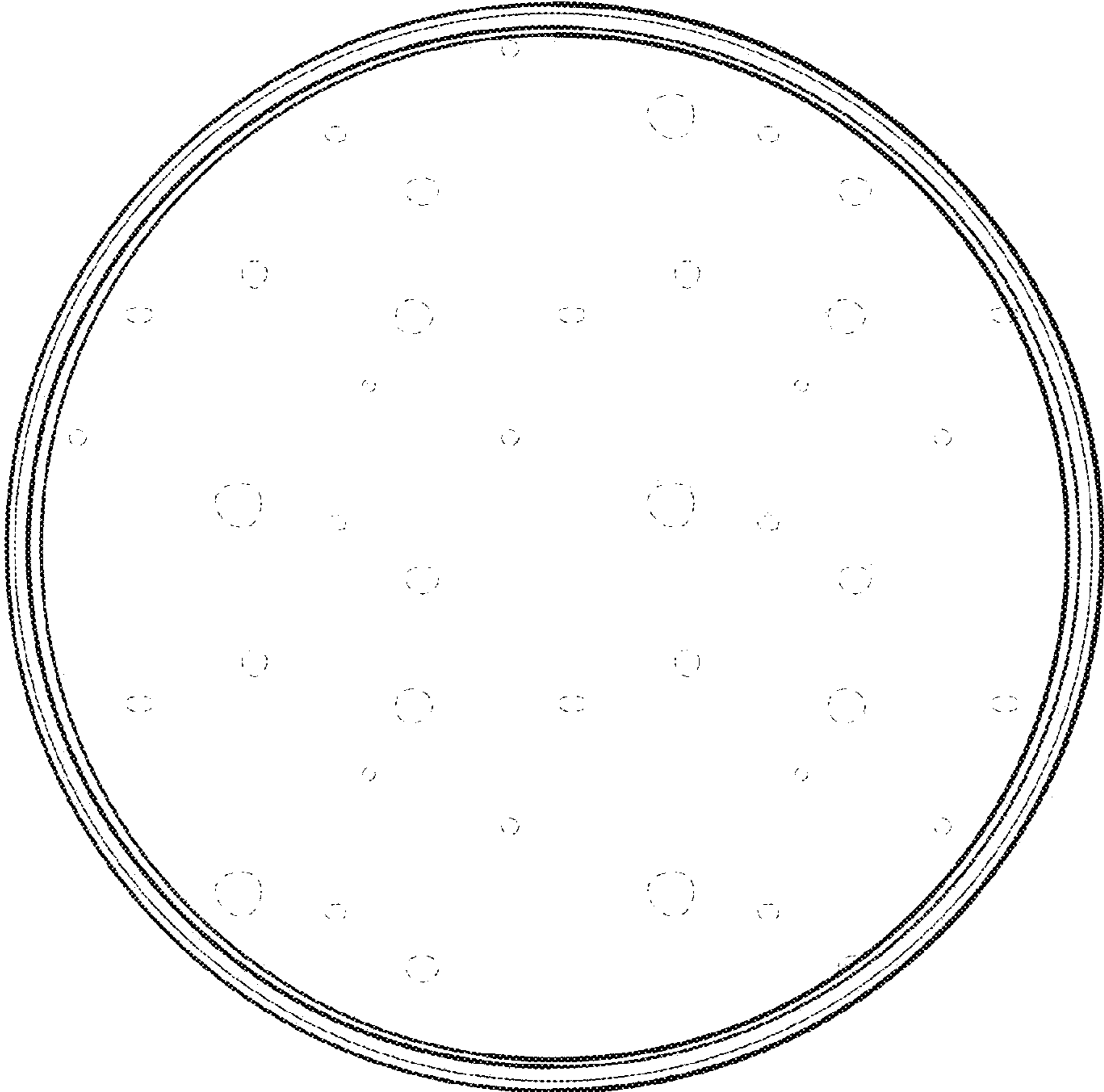


Fig. 8