



US00D725845S

(12) **United States Design Patent**
Goldy et al.

(10) **Patent No.:** **US D725,845 S**
(45) **Date of Patent:** **** Mar. 31, 2015**

- (54) **PET LEASH**
- (71) Applicant: **Trend Right Research and Development Corporation**, New York, NY (US)
- (72) Inventors: **Robert Goldy**, New York, NY (US); **Edwin Chan**, Brooklyn, NY (US)
- (73) Assignee: **Trend Right Research and Development Corporation**, New York, NY (US)
- (**) Term: **14 Years**
- (21) Appl. No.: **29/488,149**
- (22) Filed: **Apr. 16, 2014**

Related U.S. Application Data

- (63) Continuation of application No. 13/059,132, filed on Feb. 15, 2011, now Pat. No. 8,739,740.
- (51) **LOC (10) Cl.** **30-04**
- (52) **U.S. Cl.**
USPC **D30/153**
- (58) **Field of Classification Search**
CPC ... A01K 27/00; A01K 27/003; A01K 27/004; A01K 27/006; A01K 27/008
USPC D30/129, 144, 151, 152, 153, 199; D26/37, 38; 119/61.5, 712, 720, 769, 119/792, 794, 795, 796, 797, 798
See application file for complete search history.

References Cited

U.S. PATENT DOCUMENTS

- 4,886,016 A 12/1989 Atchley
- 5,762,029 A * 6/1998 DuBois et al. 119/796
- D402,426 S * 12/1998 Levine et al. D30/153
- 5,887,550 A 3/1999 Levine et al.
- 5,890,456 A 4/1999 Tancrede
- D410,117 S * 5/1999 Ball et al. D30/153

- 6,003,472 A * 12/1999 Matt et al. 119/796
- 6,024,054 A * 2/2000 Matt et al. 119/796
- D453,386 S * 2/2002 Philipson D26/38
- 7,194,982 B2 3/2007 Edwards
- D643,161 S * 8/2011 Leedom et al. D30/153

(Continued)

FOREIGN PATENT DOCUMENTS

- CA 2323174 A1 4/2002
- CN 201029358 Y 3/2008

(Continued)

OTHER PUBLICATIONS

International Search Report and Written Opinion completed Nov. 5, 2009 pertaining to International Application No. PCT/US2009/053812.

Primary Examiner — Martie K Holtje

(74) *Attorney, Agent, or Firm* — Dinsmore & Shohl LLP

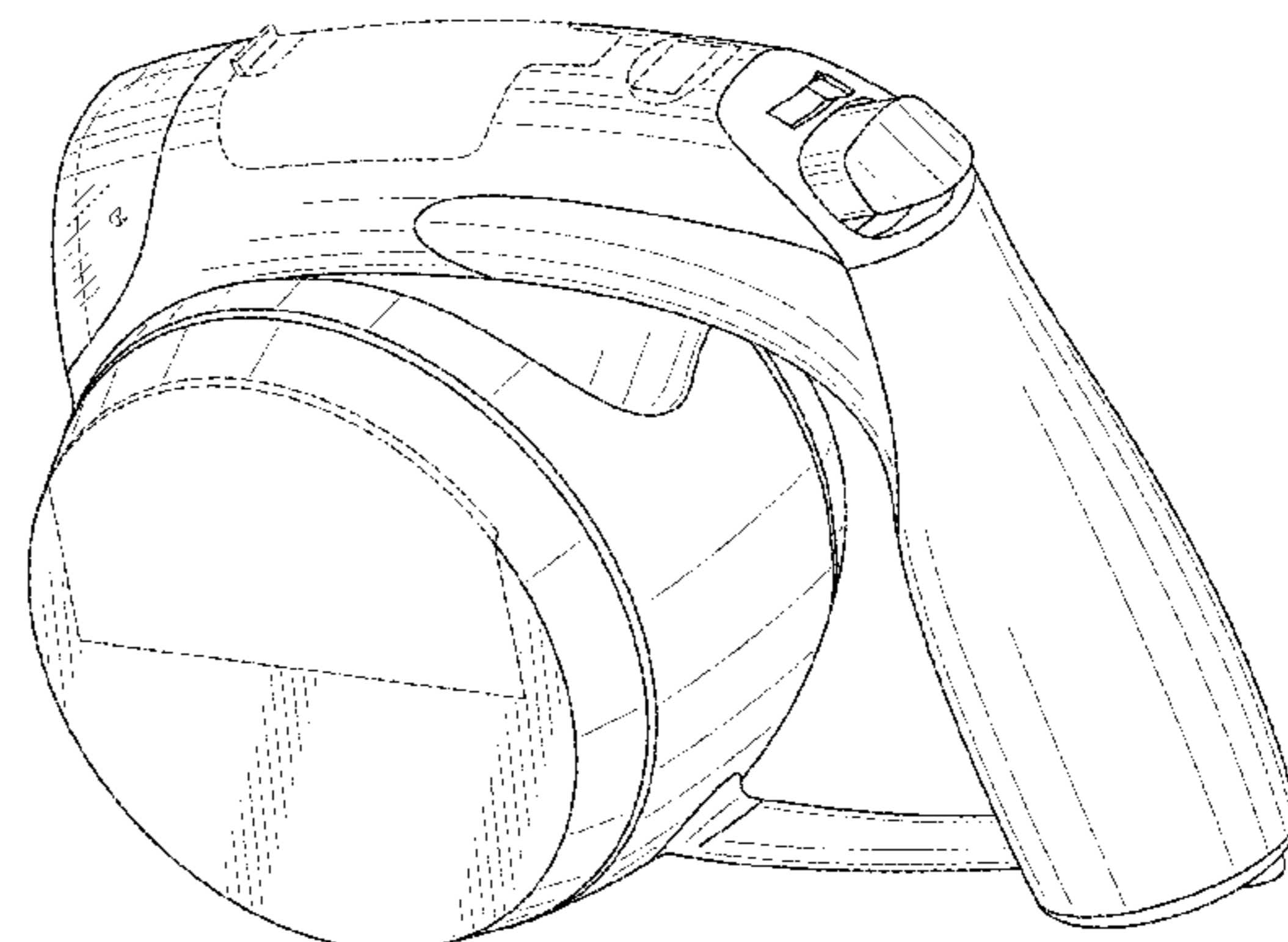
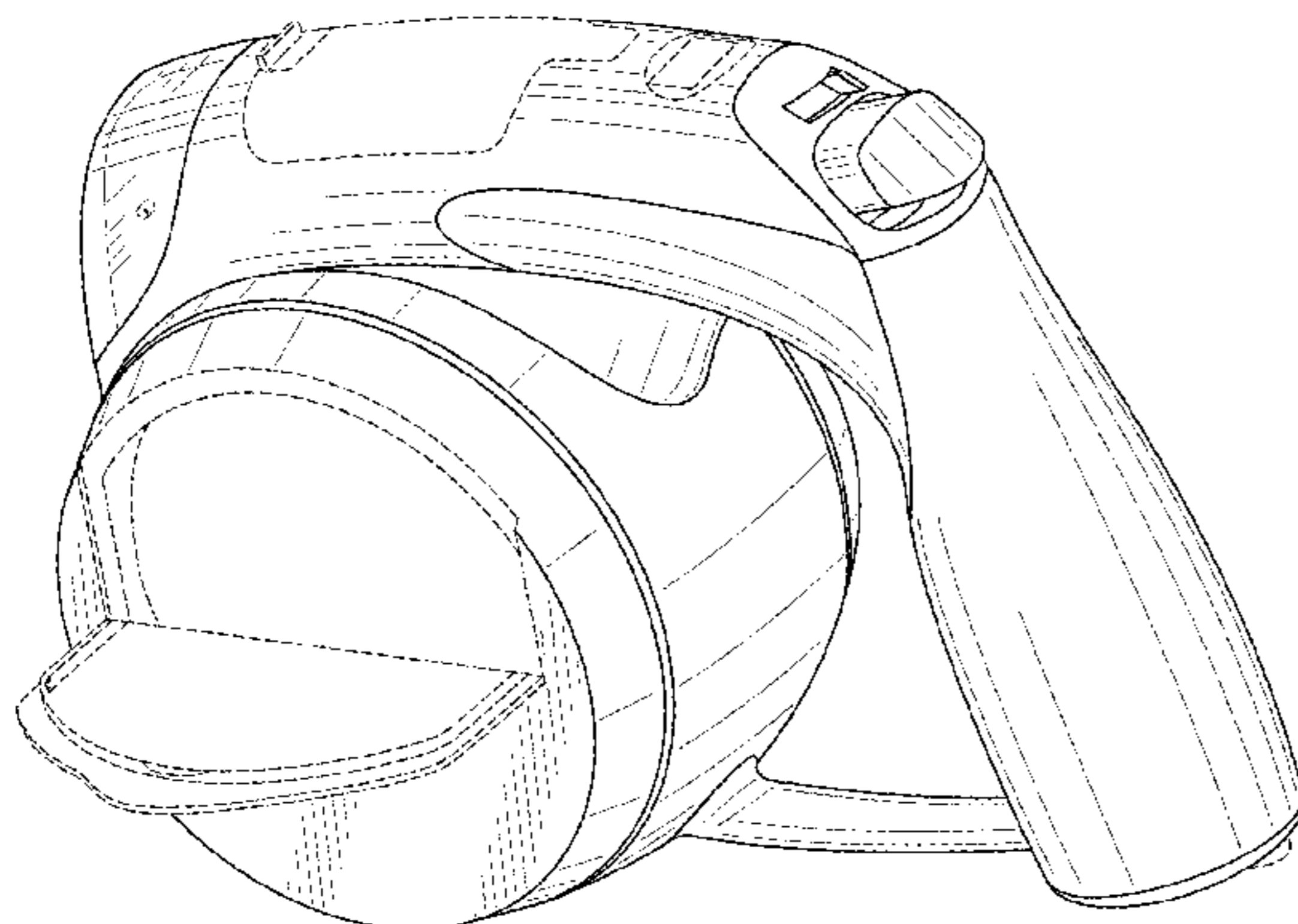
(57) **CLAIM**

The ornamental design for a pet leash, as shown and described.

DESCRIPTION

FIG. 1 is a right rear perspective view of a pet leash showing our new design;
 FIG. 2 is a left rear perspective view thereof;
 FIG. 3 is a left front perspective view thereof;
 FIG. 4 is a bottom left perspective view thereof;
 FIG. 5 is a right front perspective view thereof, with a collapsible water bowl shown removed from the housing; and,
 FIG. 6 is a second right rear perspective view thereof.
 The structural features depicted by broken lines in the drawings have been shown for the purpose of illustrating portions of the pet leash that form no part of the claimed design.
 The broken lines encircling the interior of the housing in FIG. 5 comprise a boundary, the area within which forms no part of the claimed design.

1 Claim, 6 Drawing Sheets



(56)

References Cited

U.S. PATENT DOCUMENTS

D651,366 S * 12/2011 Fisher et al. D30/153
8,109,234 B1 2/2012 LeCoq
8,256,385 B2 * 9/2012 Goldenberg 119/796
8,418,659 B2 * 4/2013 Harruna 119/796
8,739,740 B2 * 6/2014 Goldy et al. 119/796
2005/0087148 A1 4/2005 Rabello
2005/0115520 A1 6/2005 Mancini
2005/0172914 A1 * 8/2005 Woodruff 119/796
2006/0162674 A1 7/2006 Neiser

2006/0162675 A1 * 7/2006 Ghalebi et al. 119/796
2006/0207522 A1 * 9/2006 Perkitny 119/796
2006/0219182 A1 10/2006 Rabello
2008/0216767 A1 9/2008 Wang
2008/0223308 A1 * 9/2008 Stern 119/720
2009/0183691 A1 * 7/2009 Hassan 119/796

FOREIGN PATENT DOCUMENTS

GB 1389841 4/1975
WO 0120407 A1 3/2001

* cited by examiner

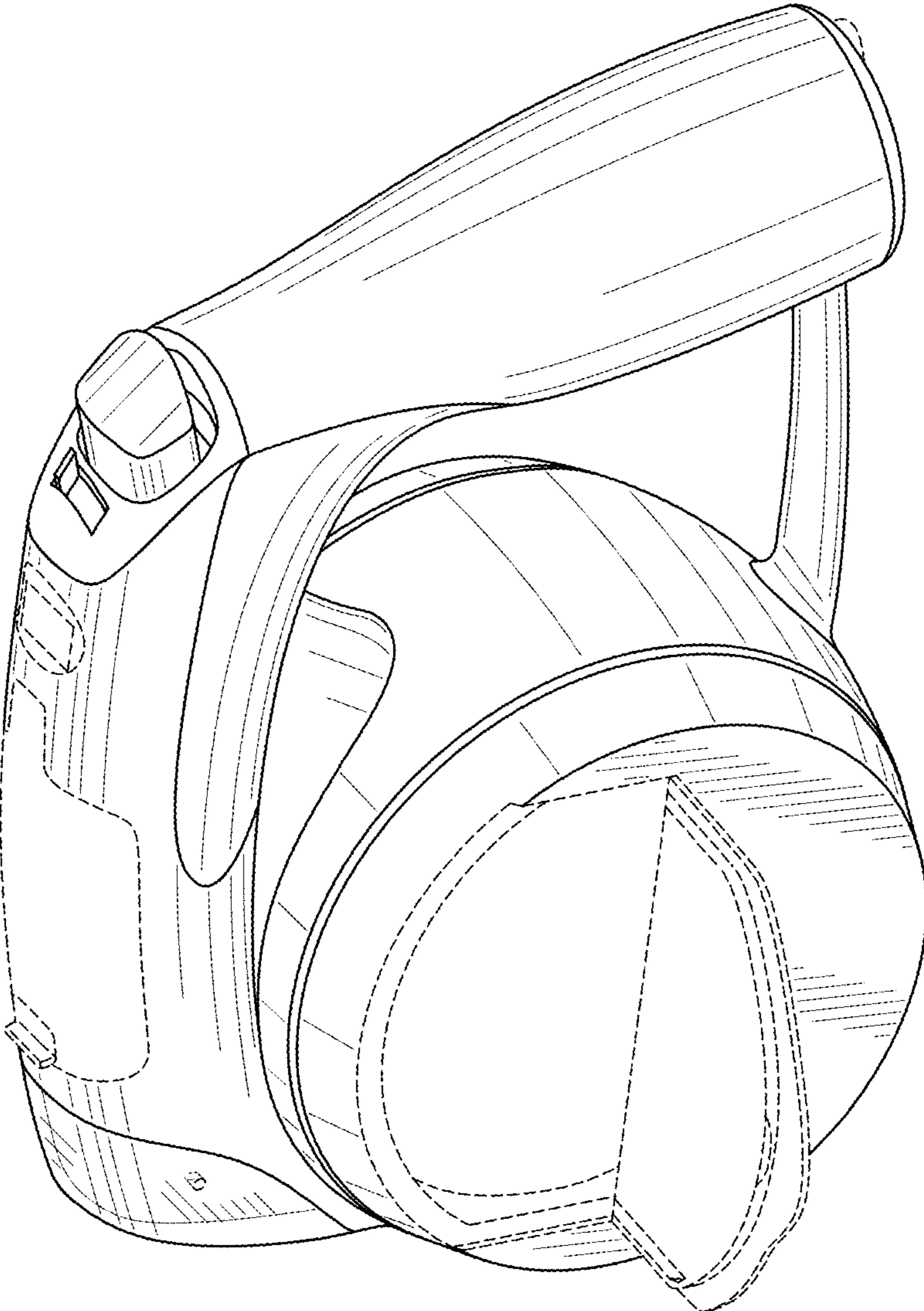


FIG. 1

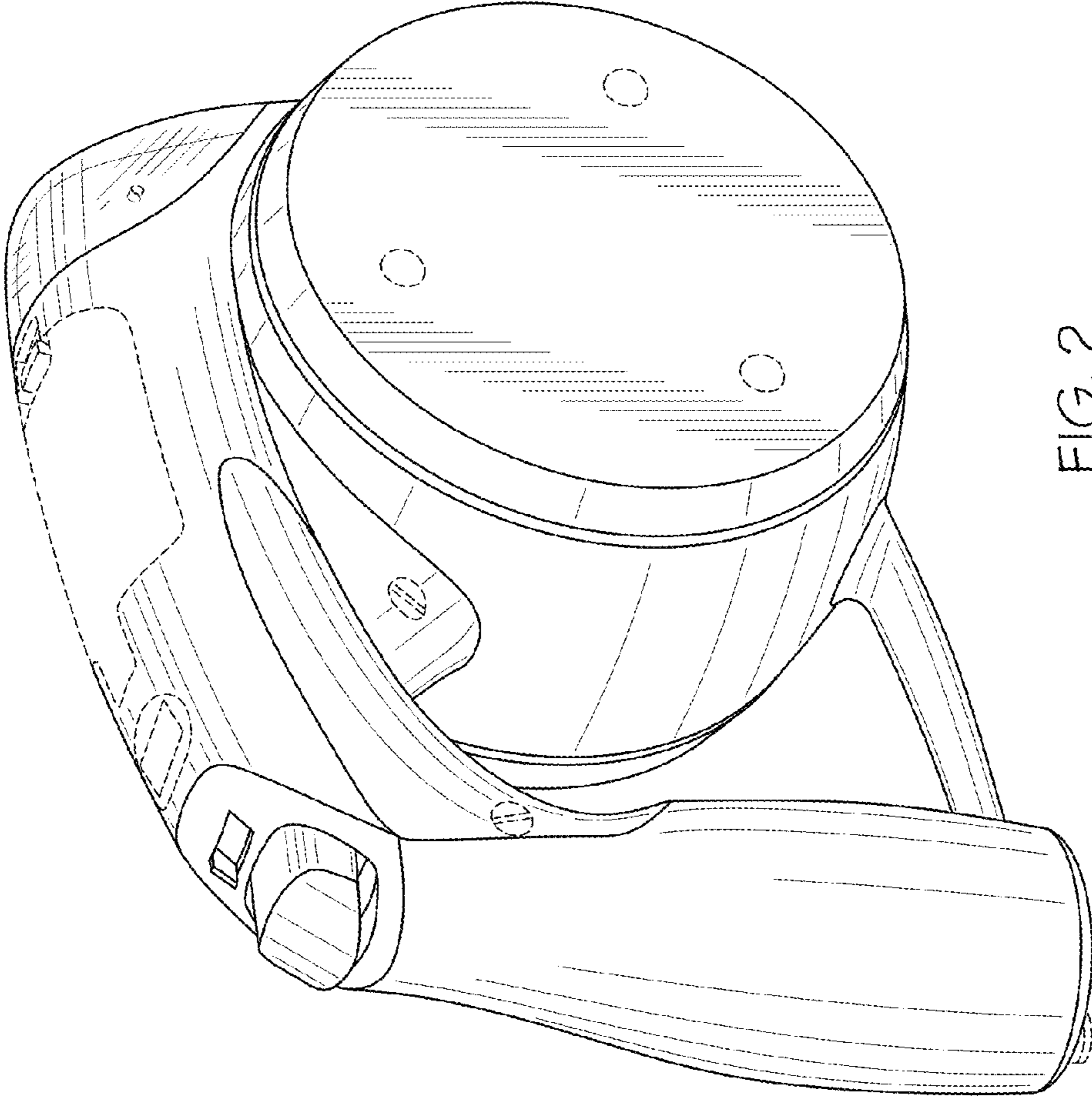


FIG. 2

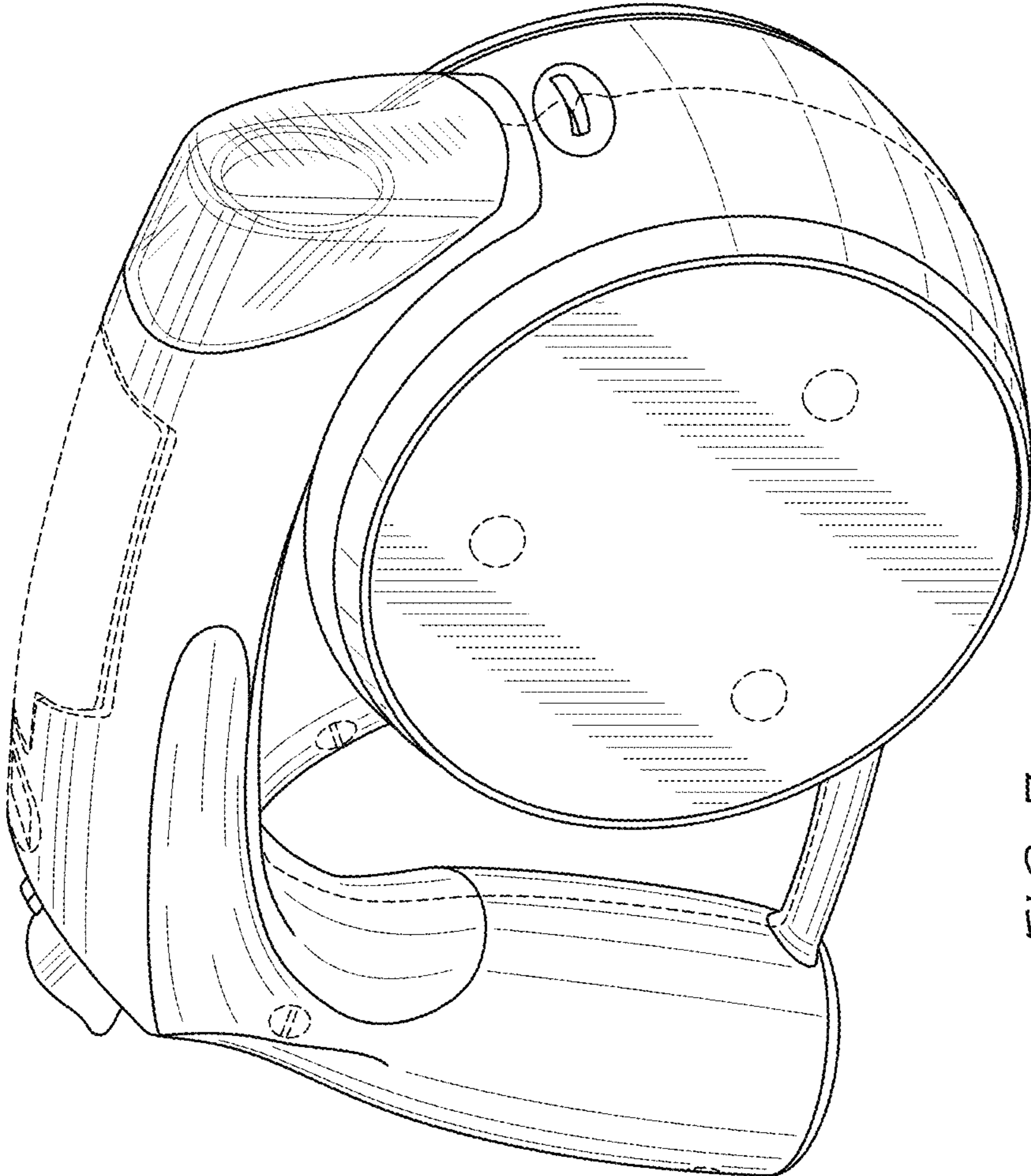


FIG. 3

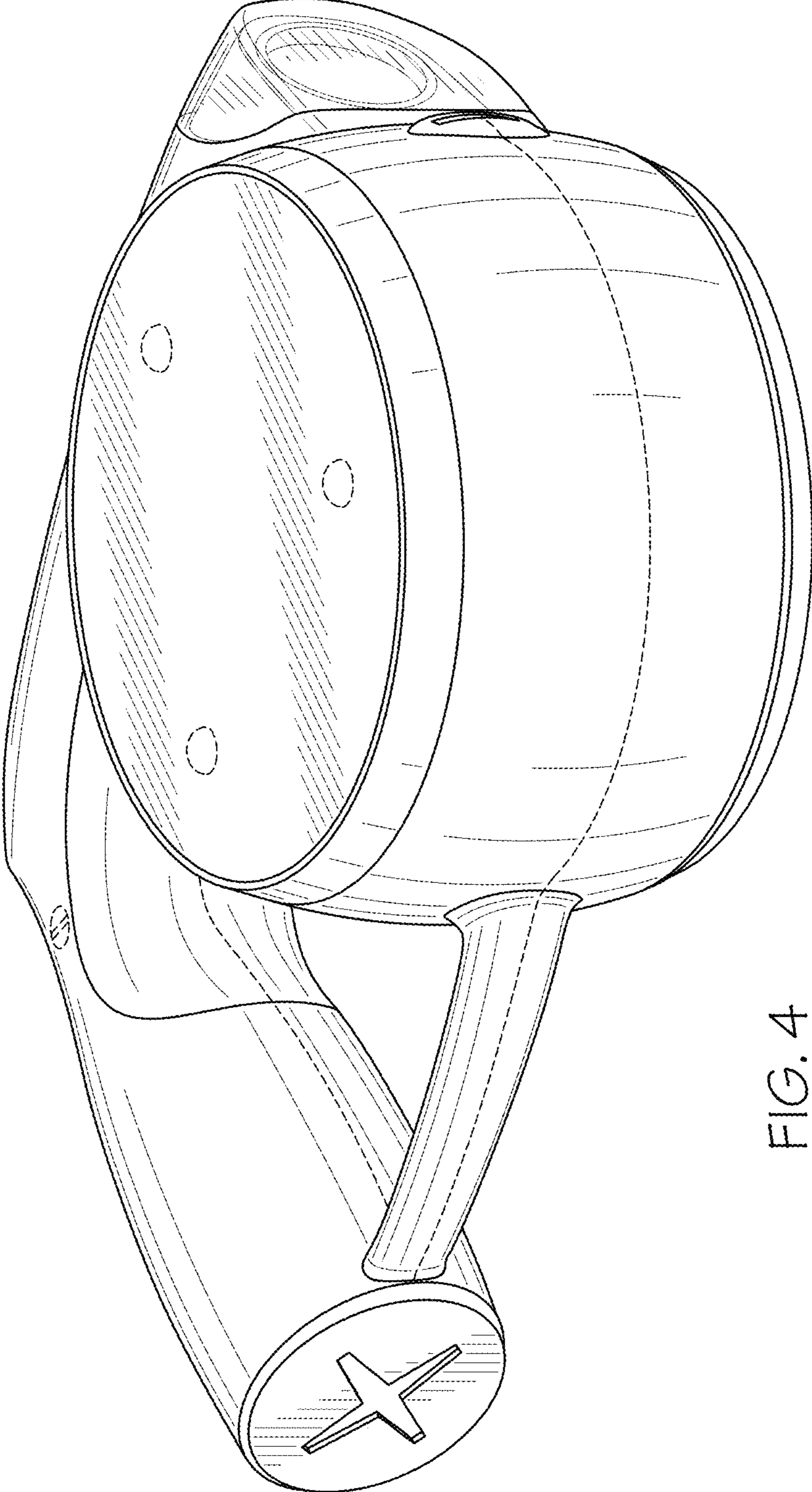


FIG. 4

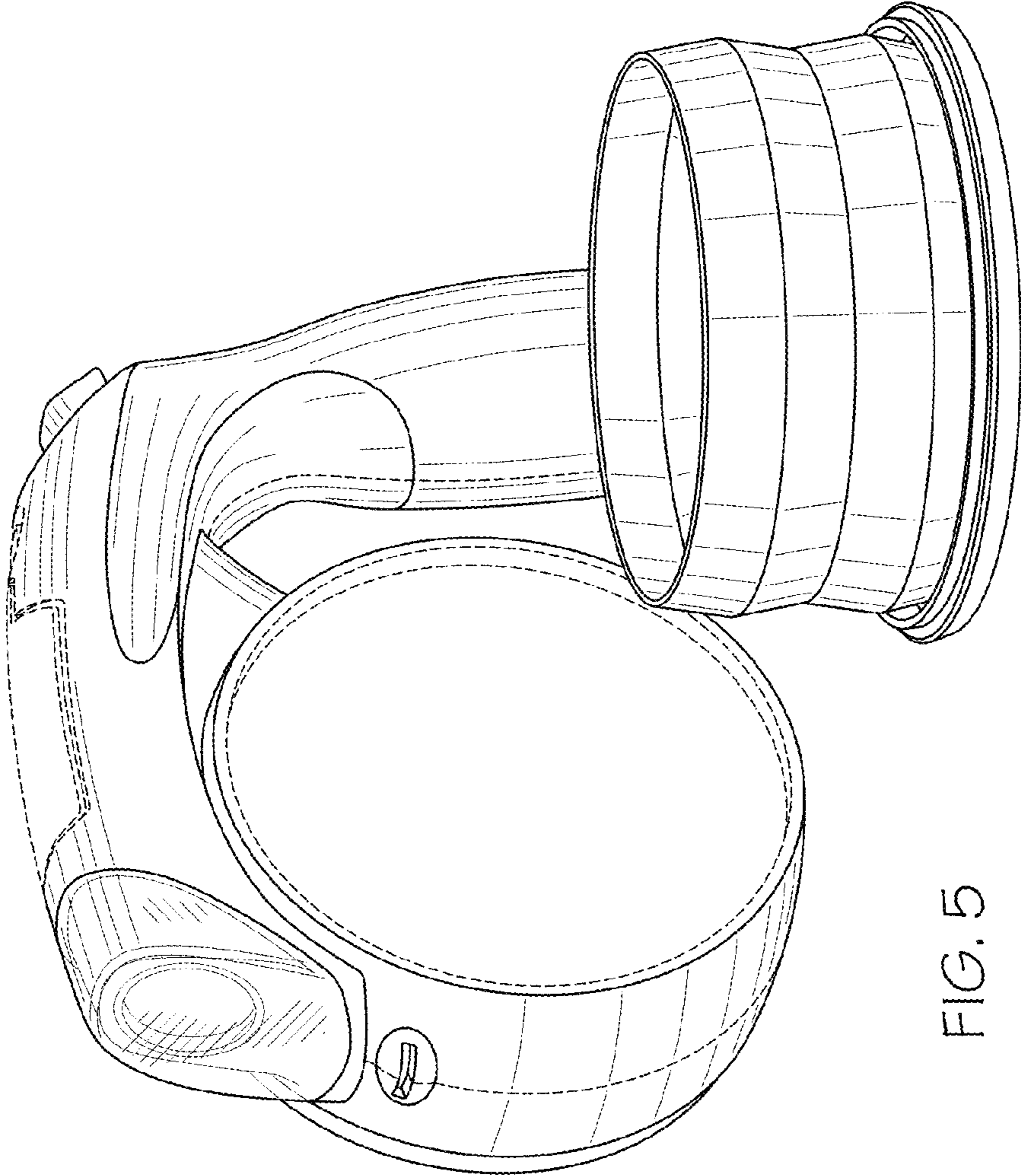


FIG. 5

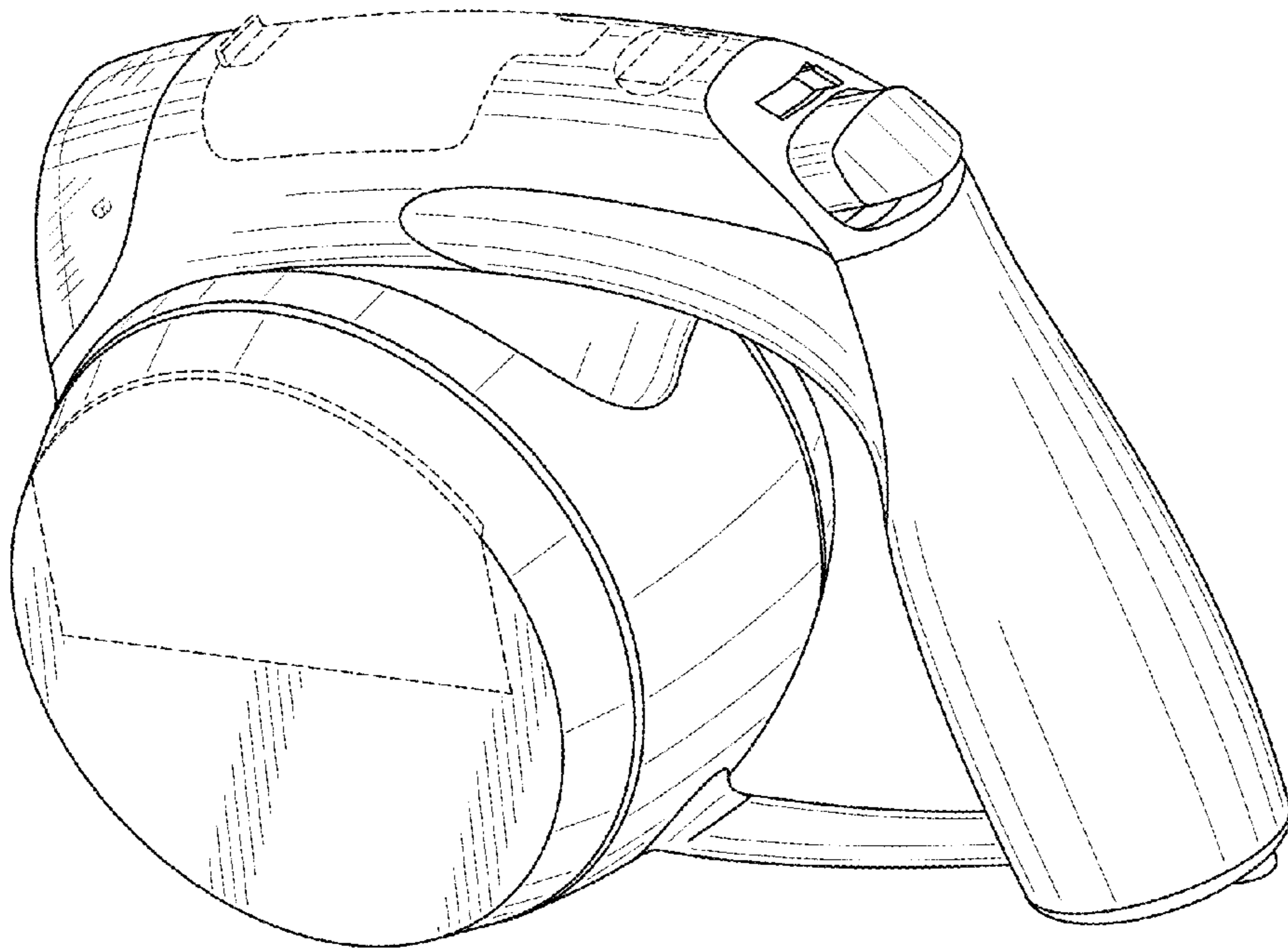


FIG. 6