



US00D725841S

(12) **United States Design Patent**
So

(10) **Patent No.:** **US D725,841 S**
(45) **Date of Patent:** **** Mar. 31, 2015**

(54) **DOG COLLAR**
(75) Inventor: **Min Jae So**, Seoul (KR)
(73) Assignee: **Dogtra Co., Ltd.** (KR)
(**) Term: **14 Years**
(21) Appl. No.: **29/426,163**
(22) Filed: **Jul. 2, 2012**

(30) **Foreign Application Priority Data**

Jan. 2, 2012 (KR) 30-2012-0000076
(51) **LOC (10) Cl.** **30-04**
(52) **U.S. Cl.**
USPC **D30/152**

(58) **Field of Classification Search**
CPC . A01K 15/021; A01K 15/022; A01K 15/023;
A01K 11/006; A01K 27/009; A01K 27/001
USPC D30/144, 145, 151, 152, 153, 155, 199;
D10/104.1, 104.2; 119/712, 718, 719,
119/720, 721, 856, 858, 859, 860, 863;
340/573.1, 573.3, 573.4; 174/176, 188
See application file for complete search history.

(56) **References Cited**

U.S. PATENT DOCUMENTS

6,079,367 A * 6/2000 Stapelfeld et al. 119/720
D439,708 S * 3/2001 Jenkins D30/152

6,598,563 B2 * 7/2003 Kim et al. 119/720
7,222,589 B2 * 5/2007 Lee et al. 119/718
7,382,328 B2 * 6/2008 Lee et al. 343/718
D579,810 S * 11/2008 Campman D10/104.1
7,644,685 B2 * 1/2010 Groh et al. 119/856
2005/0235924 A1 * 10/2005 Lee et al. 119/718
2007/0209604 A1 * 9/2007 Groh et al. 119/858
2007/0222624 A1 * 9/2007 Eicken et al. 340/573.3
2010/0154721 A1 * 6/2010 Gerig et al. 119/719
2011/0232585 A1 * 9/2011 Rich et al. 119/721

* cited by examiner

Primary Examiner — Martie K Holtje

(74) *Attorney, Agent, or Firm* — Cantor Colburn LLP

(57) **CLAIM**

The ornamental design for a dog collar, as shown and described.

DESCRIPTION

FIG. 1 is a front perspective view of a dog collar driving showing my new design;

FIG. 2 is a front elevational view thereof;

FIG. 3 is a rear elevational view thereof;

FIG. 4 is a left side elevational view thereof;

FIG. 5 is a right side elevational view thereof;

FIG. 6 is a top plane view thereof; and,

FIG. 7 is a bottom plane view thereof.

The dog collar is shown with a symbolic break in its length in various views. The appearance of any portion of the article between the break lines forms no part of the claimed design.

1 Claim, 7 Drawing Sheets

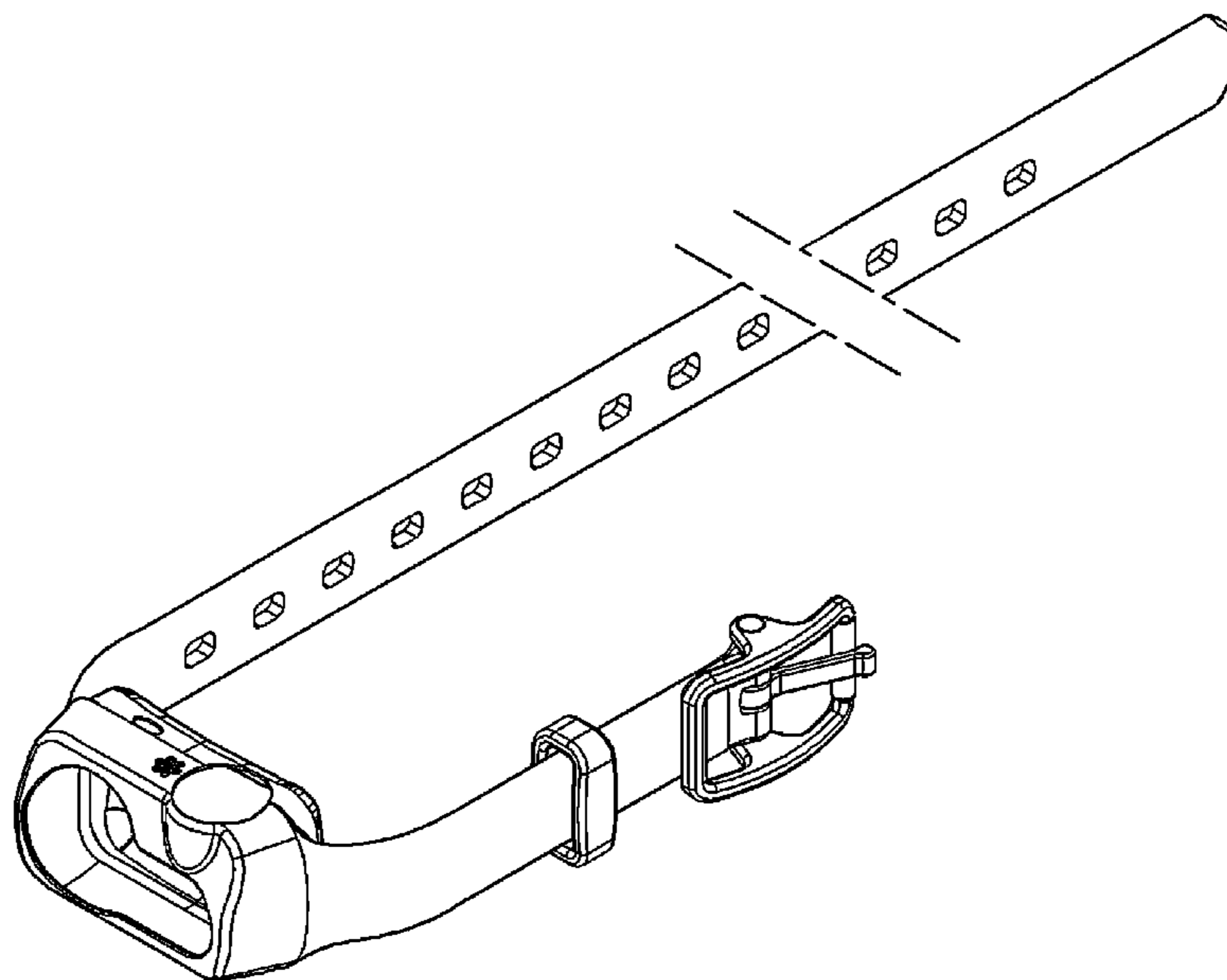


FIG. 1

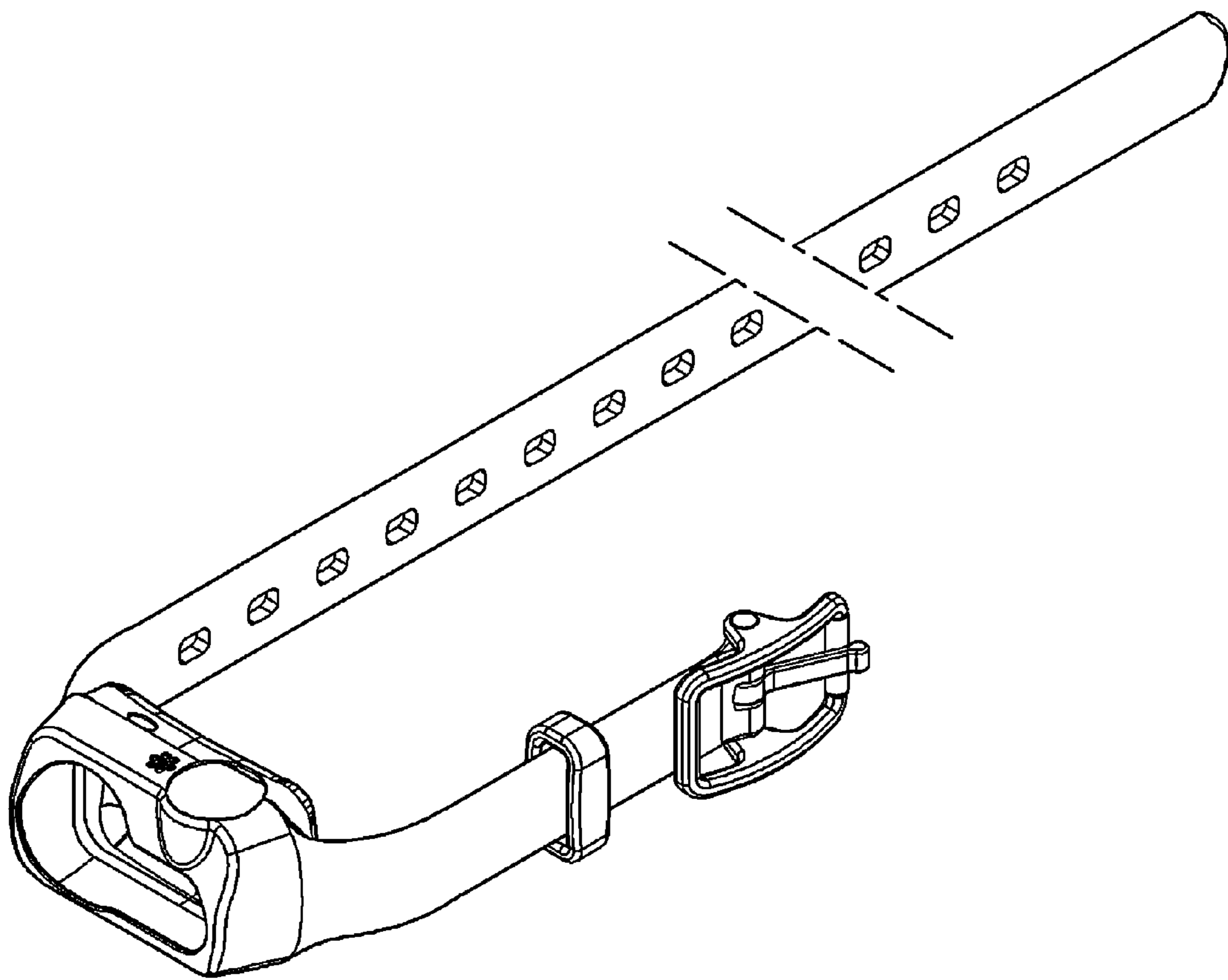


FIG. 2

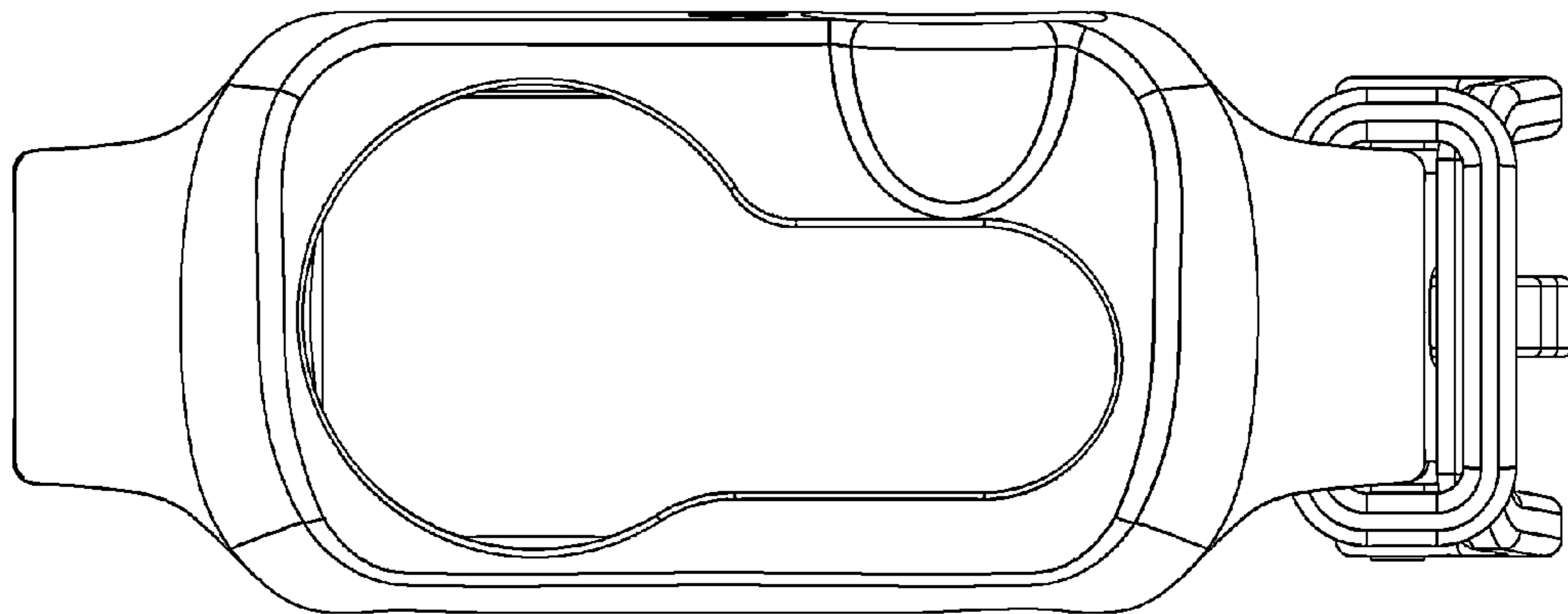


FIG. 3

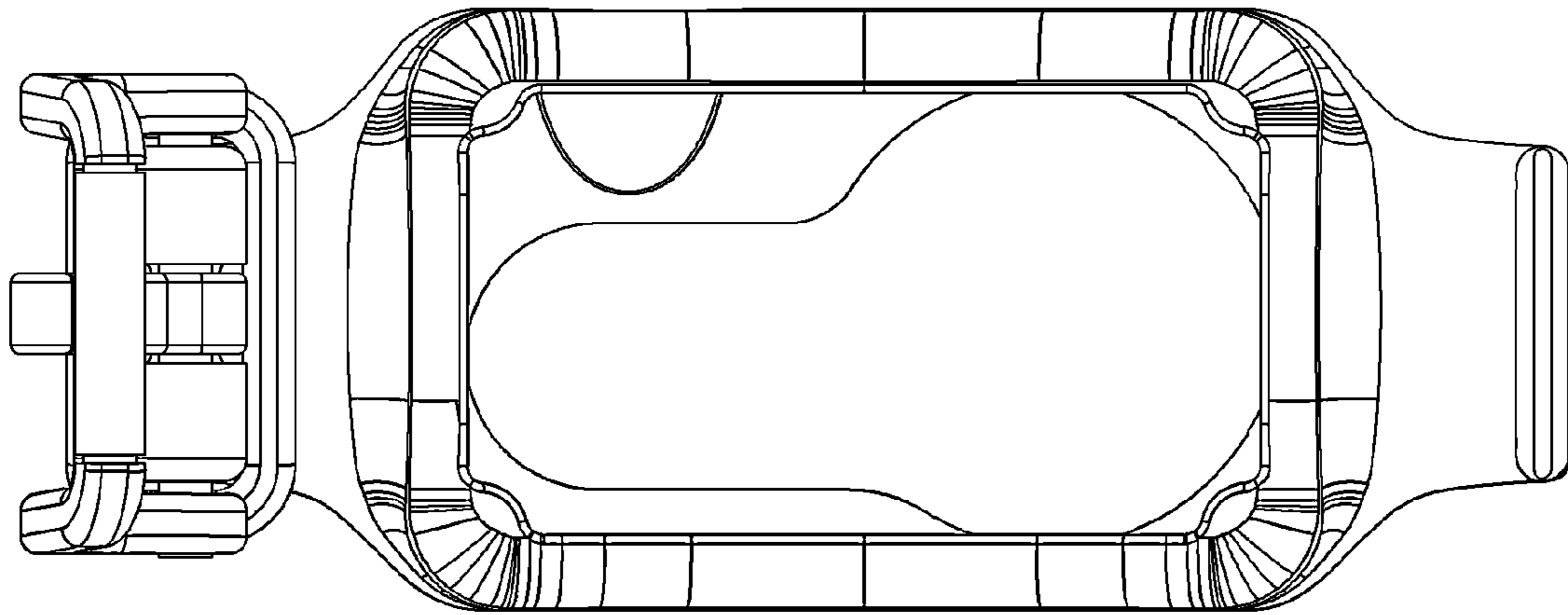


FIG. 4

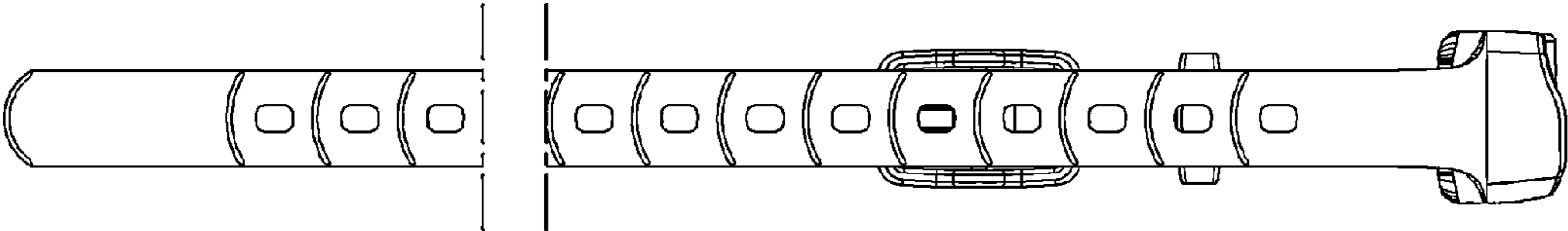


FIG. 5

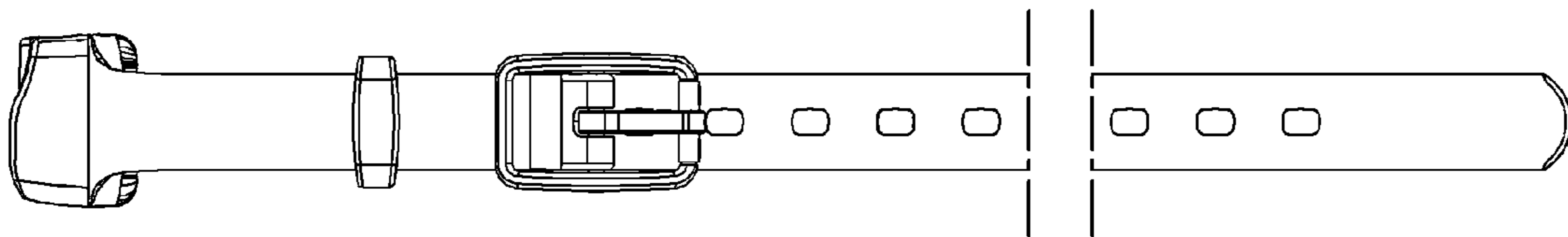


FIG. 6

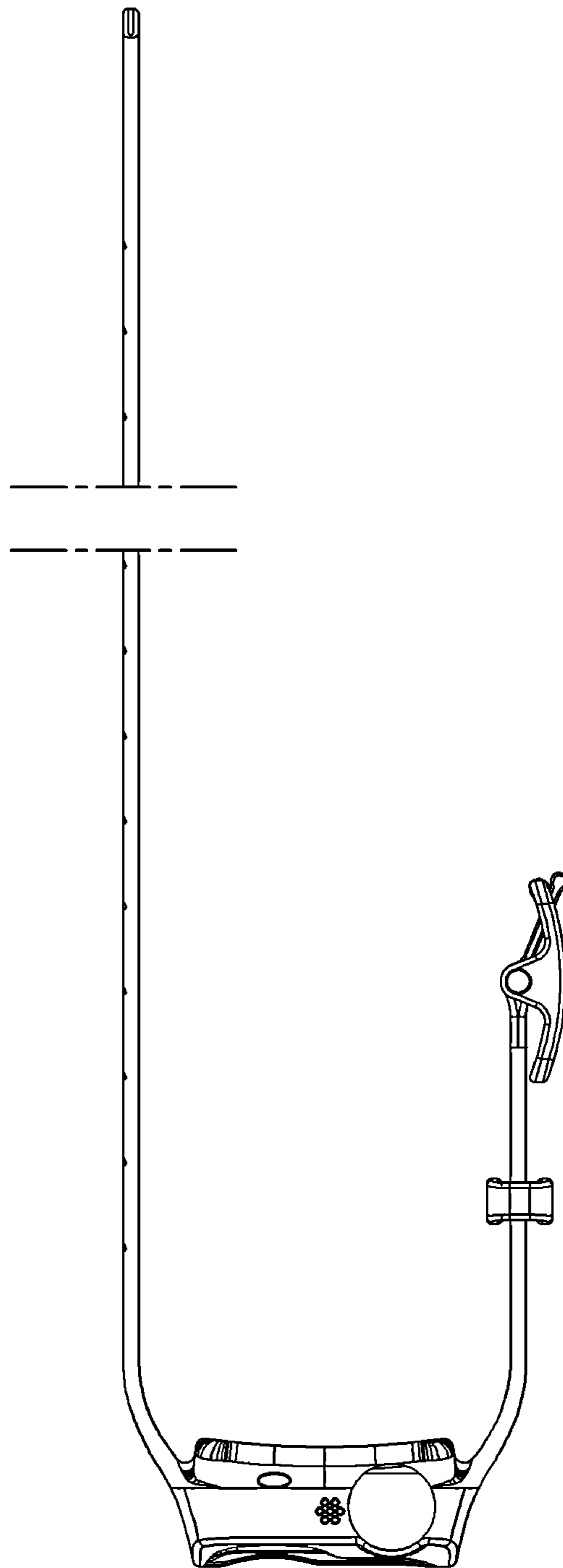


FIG. 7

