



US00D725838S

(12) **United States Design Patent**  
**Bates**

(10) **Patent No.:** **US D725,838 S**  
(45) **Date of Patent:** **\*\* Mar. 31, 2015**

(54) **SADDLE GIRTH**

(71) Applicant: **Hammersmith Nominees Pty Ltd**, West Perth (AU)

(72) Inventor: **Ronald Gordon Bates**, Dalkeith (AU)

(73) Assignee: **Hammersmith Nominees Pty Ltd**, West Perth (AU)

(\*\*) Term: **14 Years**

(21) Appl. No.: **29/462,827**

(22) Filed: **Aug. 8, 2013**

(30) **Foreign Application Priority Data**

Feb. 11, 2013 (AU) ..... 10661/2013

(51) **LOC (10) Cl.** ..... **30-01**

(52) **U.S. Cl.**  
USPC ..... **D30/134**

(58) **Field of Classification Search**  
USPC ..... D30/134-143, 148; 54/23, 34, 41.1, 54/44.1, 46.1; 119/792  
See application file for complete search history.

(56) **References Cited**

**U.S. PATENT DOCUMENTS**

D293,497	S	*	12/1987	Bird	.....	D30/134
4,709,539	A	*	12/1987	Bird	.....	54/23
D309,048	S	*	7/1990	Bray	.....	D30/134
5,503,894	A	*	4/1996	Brown	.....	428/128
5,566,533	A	*	10/1996	Larisch	.....	54/23
5,743,072	A	*	4/1998	Chang	.....	54/23
5,768,864	A	*	6/1998	Chang	.....	54/23
5,946,892	A	*	9/1999	Siddoway	.....	54/23
6,220,003	B1	*	4/2001	Hung	.....	54/23
2007/0186518	A1	*	8/2007	Siddoway	.....	54/23

2008/0172991	A1	*	7/2008	Bates	.....	54/23
2010/0293903	A1	*	11/2010	Koller et al.	.....	54/23
2013/0205725	A1	*	8/2013	Koller et al.	.....	54/23

**OTHER PUBLICATIONS**

Passier Neoprene Dressage Girth Dover Saddlery, wayback machine Jun. 2012, reviewed Aug. 15, 2010, [online], [site visited Jun. 3, 2014]. Available from Internet, <URL: <http://web.archive.org/web/20120306011002/http://www.doversaddlery.com/passier%C2%AE-neoprene-dressage-girth/p/X1-0237/>>.\*

\* cited by examiner

*Primary Examiner* — George D Kirschbaum

*Assistant Examiner* — Jennifer Watkins

(74) *Attorney, Agent, or Firm* — Seed IP Law Group PLLC

(57) **CLAIM**

The ornamental design for a saddle girth, as shown and described.

**DESCRIPTION**

FIG. 1 is a top perspective view of a saddle girth showing my new design.

FIG. 2 is a second perspective view from above, from the opposite direction of FIG. 1.

FIG. 3 is an enlarged bottom plan view of a portion of the saddle girth of FIG. 6.

FIG. 4 is an enlarged top view of a portion of the saddle girth of FIG. 5.

FIG. 5 is a top plan view of the saddle girth of FIG. 1.

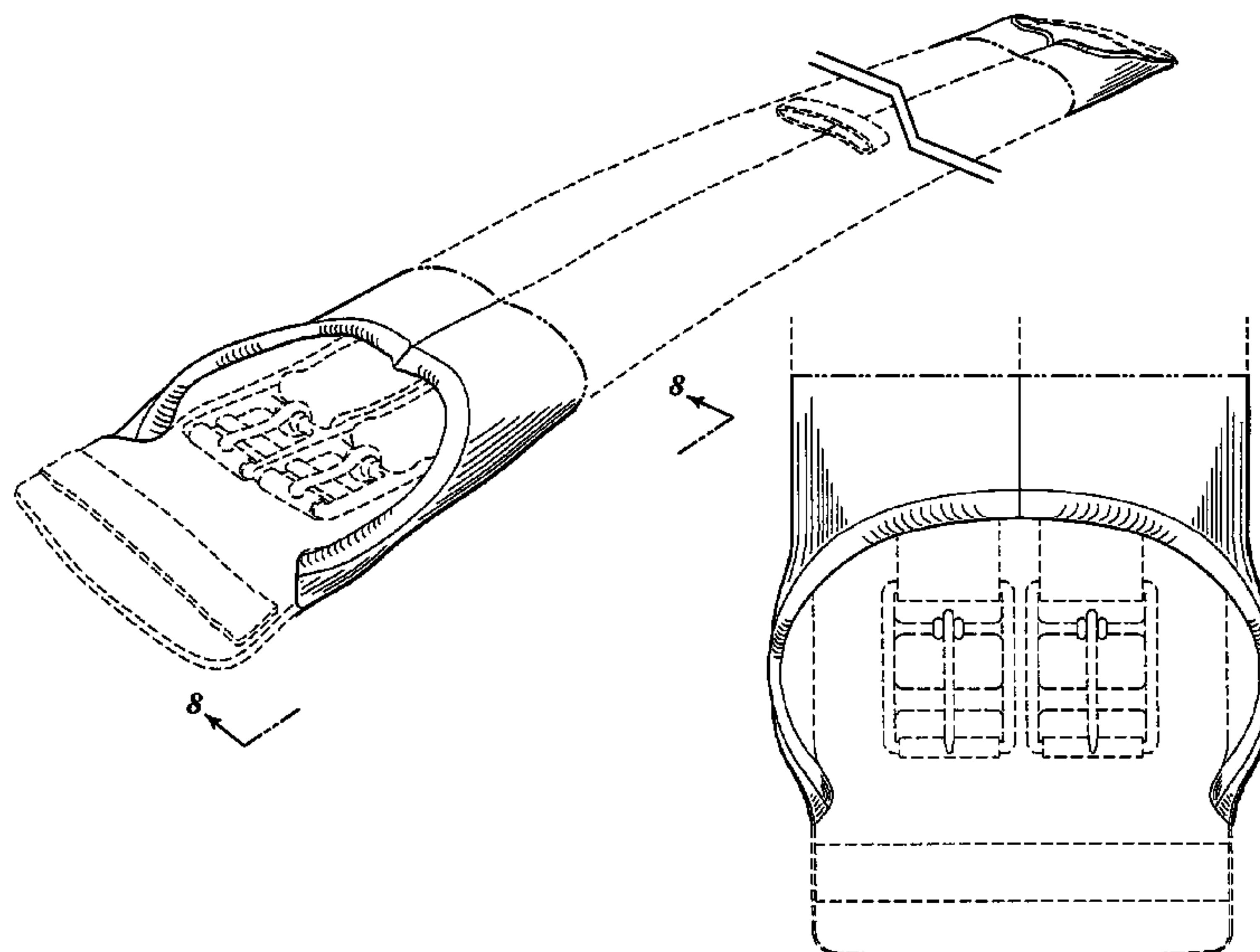
FIG. 6 is a bottom plan view thereof.

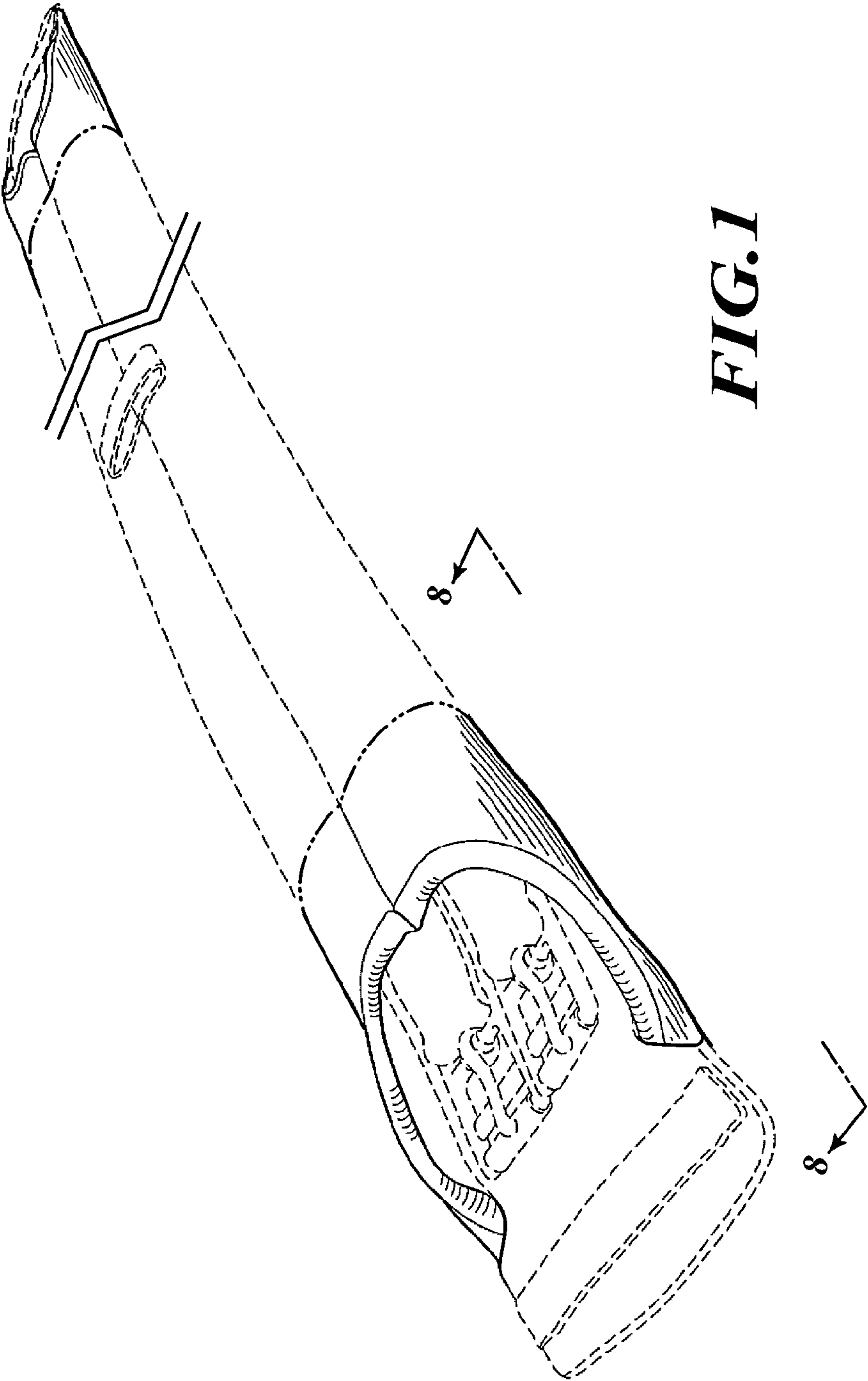
FIG. 7 is a front elevation view of a portion of the saddle girth of FIG. 1; and,

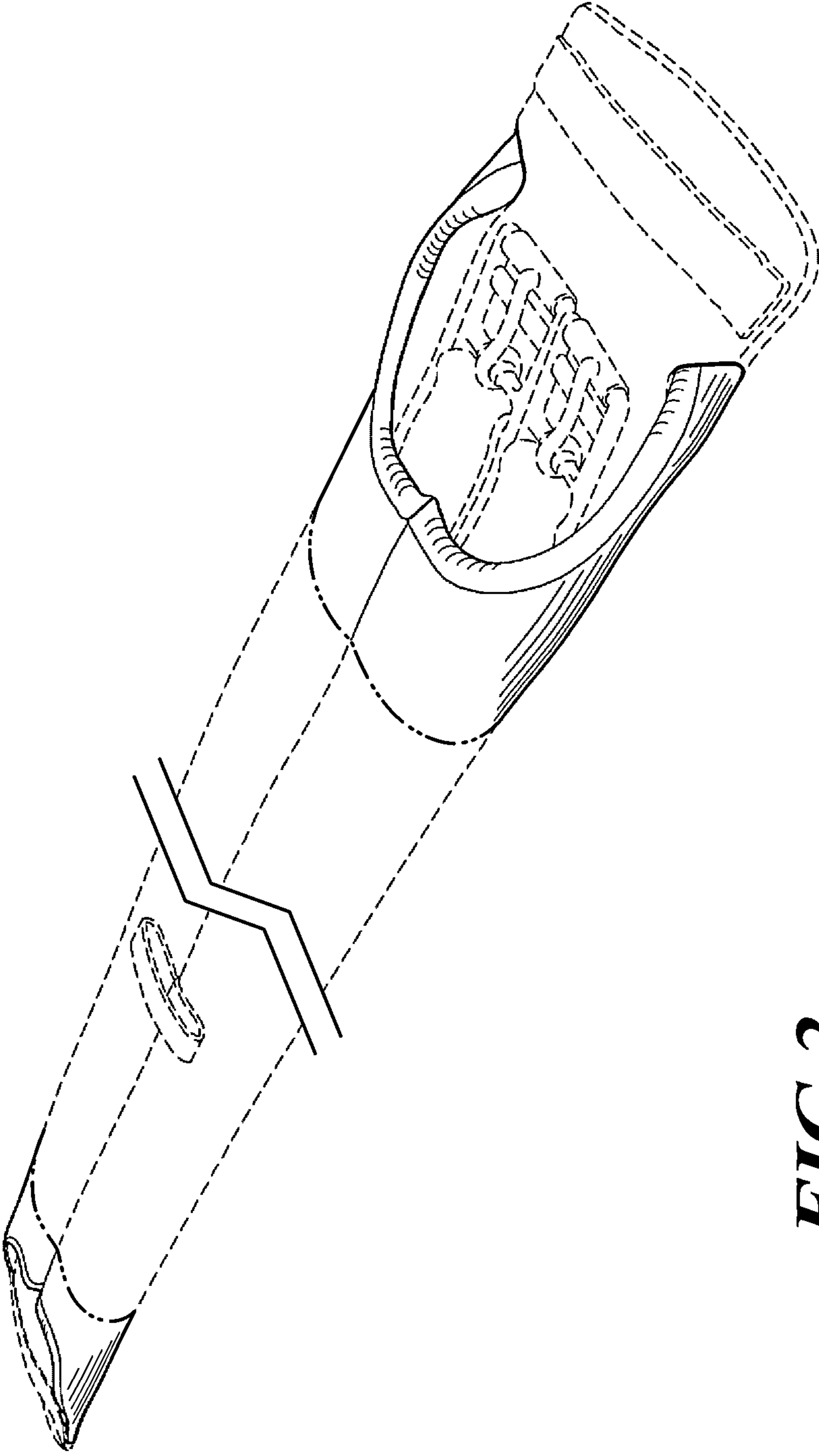
FIG. 8 is an enlarged right side elevational view of a portion of the saddle girth of FIG. 1, the left side elevational view being a mirror image thereof.

The broken lines in the figures illustrate portions of the saddle girth which form no part of the claimed design. The dash-dot broken lines define the bounds of the claim and form no part of the claimed design.

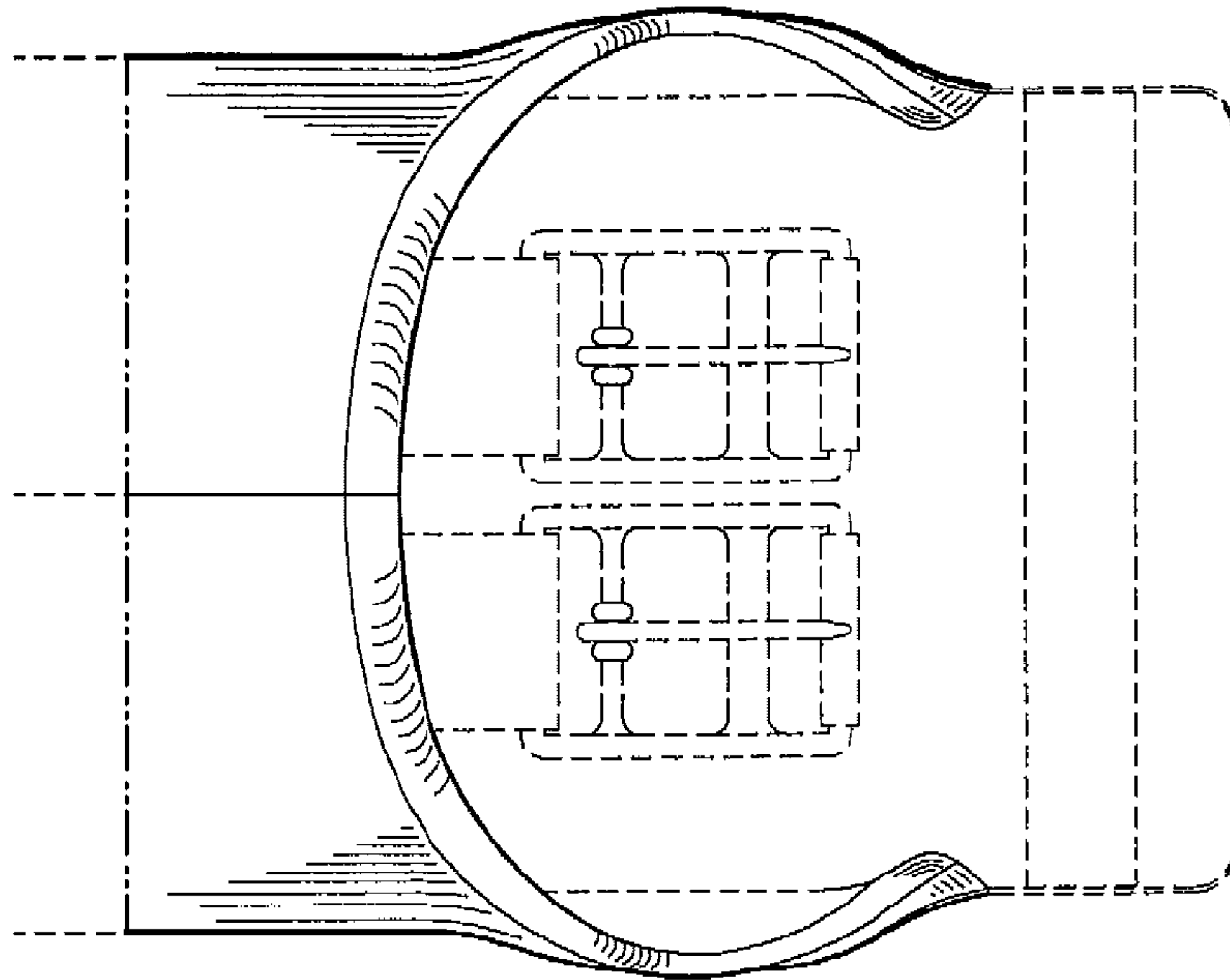
**1 Claim, 5 Drawing Sheets**



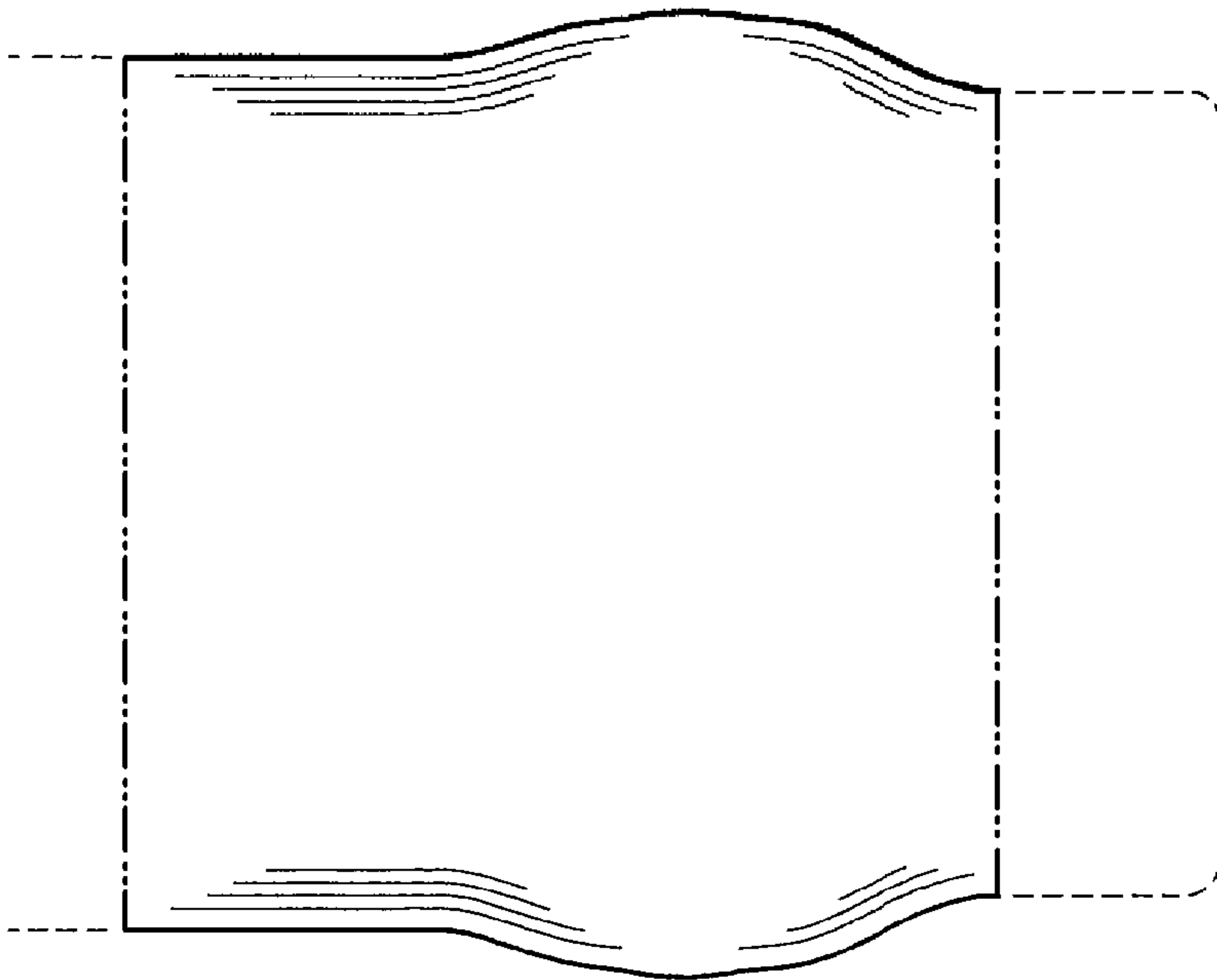




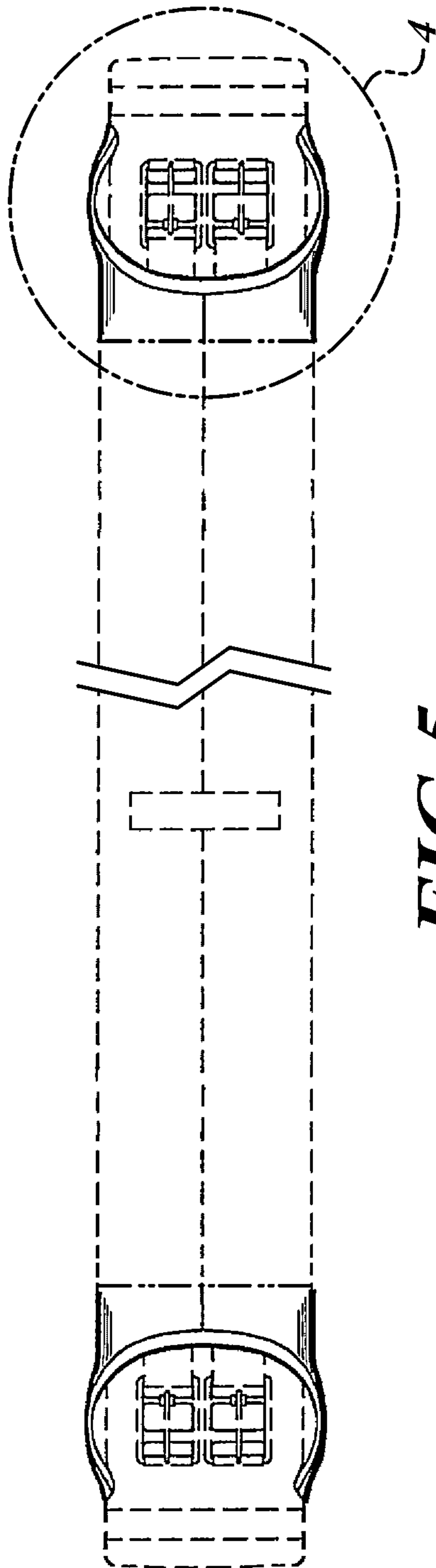
**FIG. 2**



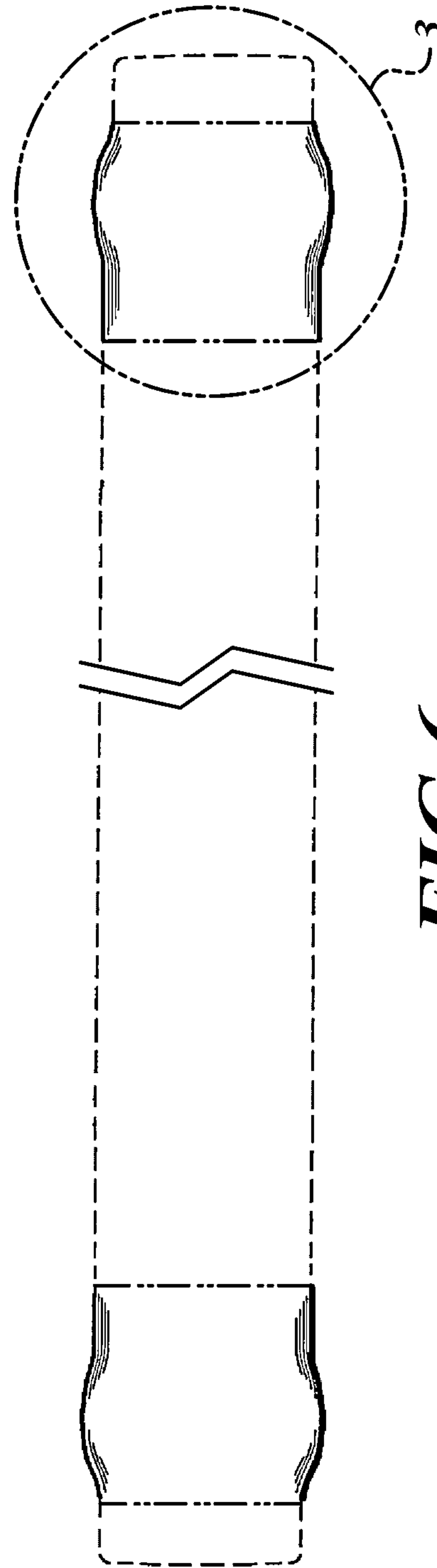
**FIG. 4**



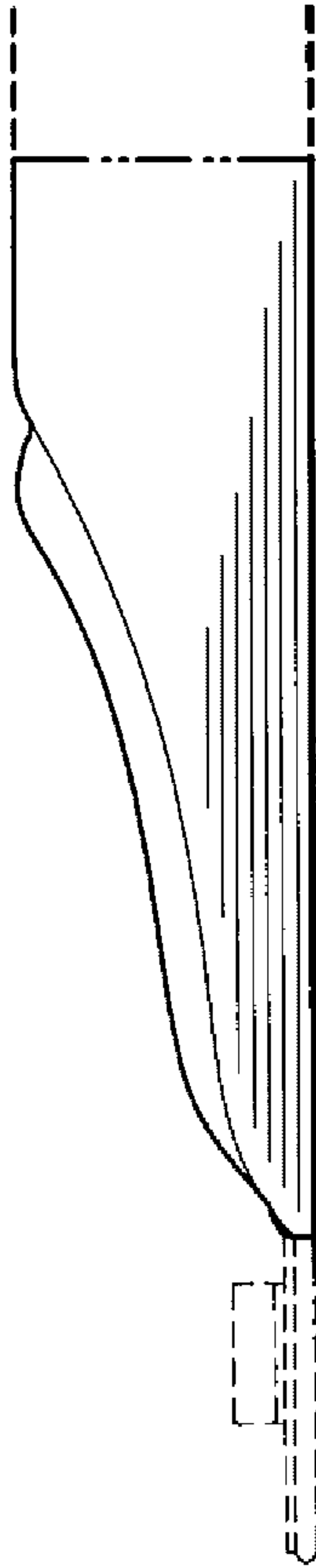
**FIG. 3**



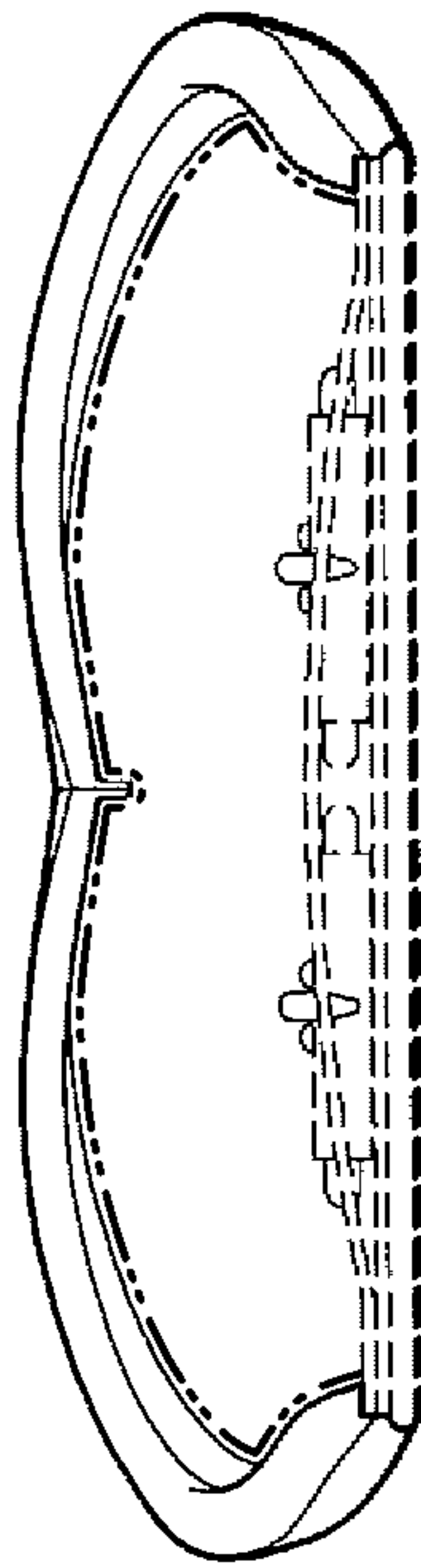
**FIG. 5**



**FIG. 6**



**FIG. 8**



**FIG. 7**