



US00D725835S

(12) **United States Design Patent**
Takaoka

(10) **Patent No.:** **US D725,835 S**
(45) **Date of Patent:** **** Mar. 31, 2015**

- (54) **BIRD FEEDER**
- (71) Applicant: **Takasho Co., Ltd.**, Kainan-shi,
Wakayama-ken (JP)
- (72) Inventor: **Nobuo Takaoka**, Kainan (JP)
- (73) Assignee: **Takasho Co., Ltd.**, Kainan-Shi,
Wakayama-Ken (JP)
- (**) Term: **14 Years**
- (21) Appl. No.: **29/501,845**
- (22) Filed: **Sep. 9, 2014**
- (51) **LOC (10) Cl.** **30-03**
- (52) **U.S. Cl.**
USPC **D30/126**
- (58) **Field of Classification Search**
USPC D30/110-112, 121, 124-128, 133;
119/51.01, 52.2-52.4, 57.8, 57.9, 53,
119/428, 429, 433-435, 469, 459; D26/67,
D26/72, 118; D25/1, 16, 22, 23, 56
See application file for complete search history.

D194,750	S	*	3/1963	Dahmus	D30/110
3,124,103	A	*	3/1964	Stainbrook	119/52.3
3,157,159	A	*	11/1964	Koistinen et al.	119/52.2
3,211,130	A	*	10/1965	Prince	119/57.9
3,244,148	A	*	4/1966	Long	119/430
3,282,251	A	*	11/1966	Dahmus	119/428
3,295,498	A	*	1/1967	Brown	119/429
D210,301	S	*	2/1968	Thorneli	D21/507
D214,173	S	*	5/1969	Garten	D30/126
D215,855	S	*	11/1969	Henreid	D30/111
3,496,912	A	*	2/1970	Cockrell	119/498
D218,902	S	*	10/1970	Kelley	D30/108
D222,656	S	*	11/1971	Thornell	D3/274
D223,500	S	*	4/1972	Omlie	D21/511
D227,689	S	*	7/1973	Rae et al.	D21/511
D231,368	S	*	4/1974	Motter, III	D30/126
D234,522	S	*	3/1975	Wooster	D30/126
D234,703	S	*	4/1975	Fry	D30/126
D239,305	S	*	3/1976	Campanell et al.	D21/511
3,945,344	A	*	3/1976	Melrath	119/57.8

(Continued)

Primary Examiner — Susan Moon Lee

(74) *Attorney, Agent, or Firm* — Lucas & Mercanti LLP;
Robert P. Michal

(57) **CLAIM**

I claim the ornamental design for a bird feeder, as shown and described.

DESCRIPTION

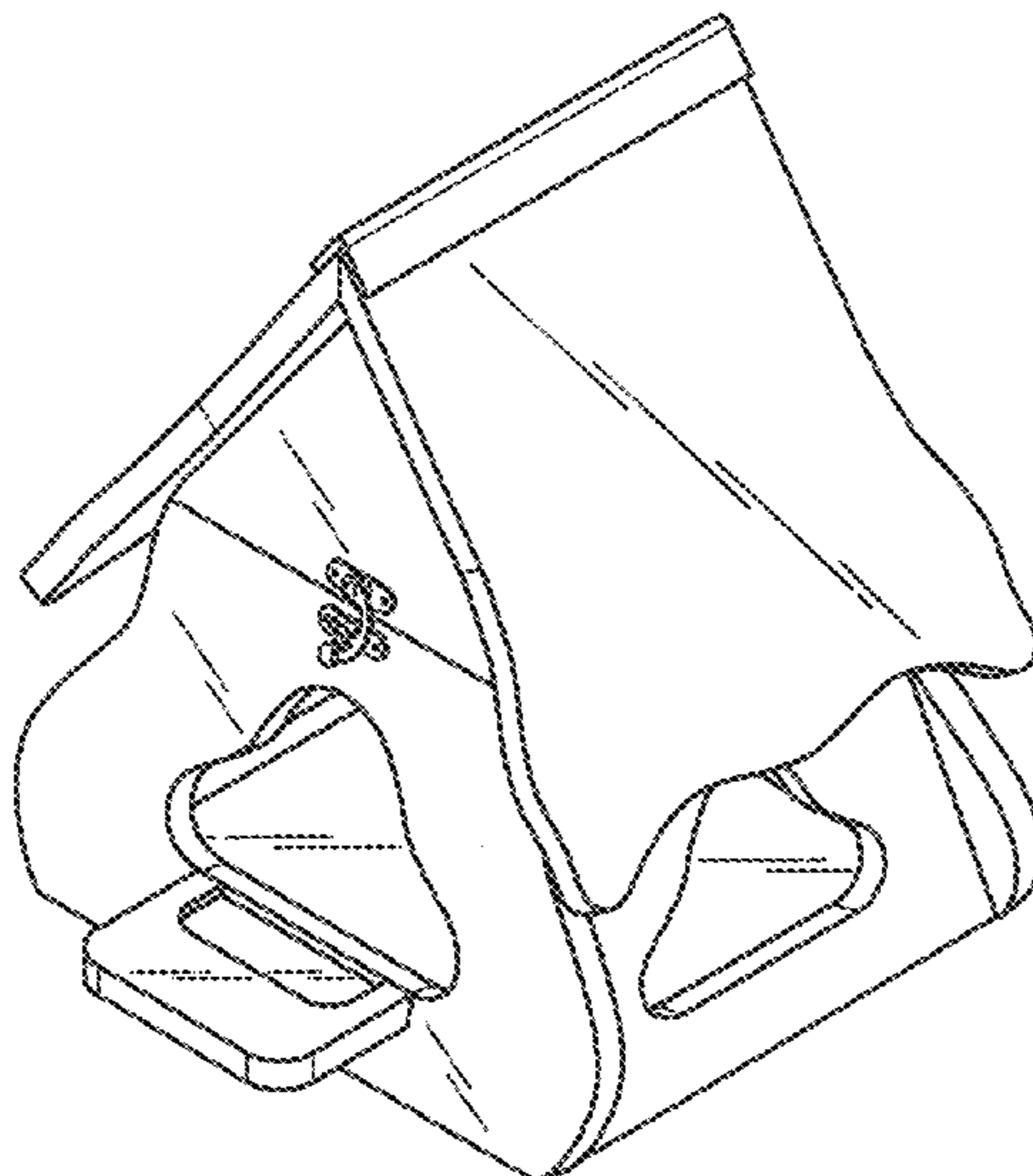
FIG. 1 is a front view of the bird feeder showing my new design;
 FIG. 2 is a rear view thereof;
 FIG. 3 is a right side view thereof;
 FIG. 4 is a left side view thereof;
 FIG. 5 is a top view thereof;
 FIG. 6 is a bottom view thereof;
 FIG. 7 is a front perspective view thereof; and,
 FIG. 8 is a rear perspective view thereof.
 Any broken lines in the drawings represent unclaimed environmental subject matter and form no part of the claim.

1 Claim, 8 Drawing Sheets

(56) **References Cited**

U.S. PATENT DOCUMENTS

1,185,345	A	*	5/1916	Reiber	119/433
D81,232	S	*	5/1930	Goriup	D21/511
D100,564	S	*	7/1936	Klein	D30/111
D117,053	S	*	10/1939	Straus	D30/110
D117,482	S	*	11/1939	Mustarkes	D30/111
D139,527	S	*	11/1944	Olson	D21/511
D143,455	S	*	1/1946	Whitney	D30/111
2,424,733	A	*	7/1947	Benson	119/431
D157,910	S	*	3/1950	Schur	D30/110
D164,446	S	*	9/1951	Poglein	D30/110
D164,707	S	*	10/1951	Nissen	D30/110
D185,041	S	*	4/1959	Sanderson et al.	D21/511
D186,605	S	*	11/1959	Malloy, Sr.	D30/126
D190,329	S	*	5/1961	Bley	D30/111
3,022,768	A	*	2/1962	Lynch	119/52.3



(56)

References Cited

U.S. PATENT DOCUMENTS

D240,743	S *	7/1976	Renfro, Jr.	D30/126	5,479,877	A *	1/1996	Demboske	119/428
D240,954	S *	8/1976	Goldfarb et al.	D21/511	D368,334	S *	3/1996	Prehart	D30/111
3,977,363	A *	8/1976	Fisher, Jr.	119/52.3	5,551,371	A *	9/1996	Markey et al.	119/499
D245,639	S *	8/1977	Powell, Jr.	D21/511	D381,510	S *	7/1997	Charniga	D3/273
D245,927	S *	9/1977	Edwards et al.	D30/110	D388,910	S *	1/1998	Willinger et al.	D30/108
D256,929	S *	9/1980	Caranica et al.	D21/511	5,740,762	A *	4/1998	Bennett	119/428
D262,557	S *	1/1982	McElhaney	D21/507	D421,157	S *	2/2000	Logan, Jr.	D30/110
D269,468	S *	6/1983	Babcock et al.	D30/110	6,116,189	A *	9/2000	Rundle	119/51.5
D281,917	S *	12/1985	Myers et al.	D30/110	D432,593	S *	10/2000	Naughton	D21/511
D301,778	S *	6/1989	Fasino	D30/127	D435,320	S *	12/2000	Fick	D30/110
4,846,110	A *	7/1989	Reynolds	119/428	6,276,298	B1 *	8/2001	Welsh	119/52.3
D314,453	S *	2/1991	Dewing	D30/108	6,314,912	B1 *	11/2001	Armbruster	119/428
5,048,461	A *	9/1991	Wessner	119/52.3	6,401,658	B1 *	6/2002	Teets	119/57.9
5,134,970	A *	8/1992	Oh	119/428	D473,351	S *	4/2003	Critchley	D30/161
5,170,747	A *	12/1992	Strangio	119/428	D479,370	S *	9/2003	Neves	D30/161
D333,367	S *	2/1993	Pirri	D30/110	D483,528	S *	12/2003	Costa	D30/111
D335,005	S *	4/1993	Fasino	D30/126	D502,616	S *	3/2005	Tamburri	D6/450
D335,369	S *	5/1993	Gravelle	D30/111	D515,246	S *	2/2006	Lory, II	D30/126
D335,725	S *	5/1993	Fasino	D30/126	D568,547	S *	5/2008	Yanick	D30/125
5,207,180	A *	5/1993	Graham	119/52.3	D594,070	S *	6/2009	Ridens	D21/511
D342,349	S *	12/1993	Scheppard	D30/110	D614,076	S *	4/2010	Johnson	D11/125
5,313,747	A *	5/1994	Sakihara	52/64	7,798,099	B2 *	9/2010	Vosbikian	119/52.3
D356,878	S *	3/1995	Thaxter	D30/110	D626,699	S *	11/2010	Tang	D30/110
D358,906	S *	5/1995	Myers	D30/112	D699,793	S *	2/2014	Gomez	D21/511
					D710,952	S *	8/2014	Guglielmo	D21/511
					8,857,374	B1 *	10/2014	Donegan et al.	119/57.8

* cited by examiner

FIG. 1

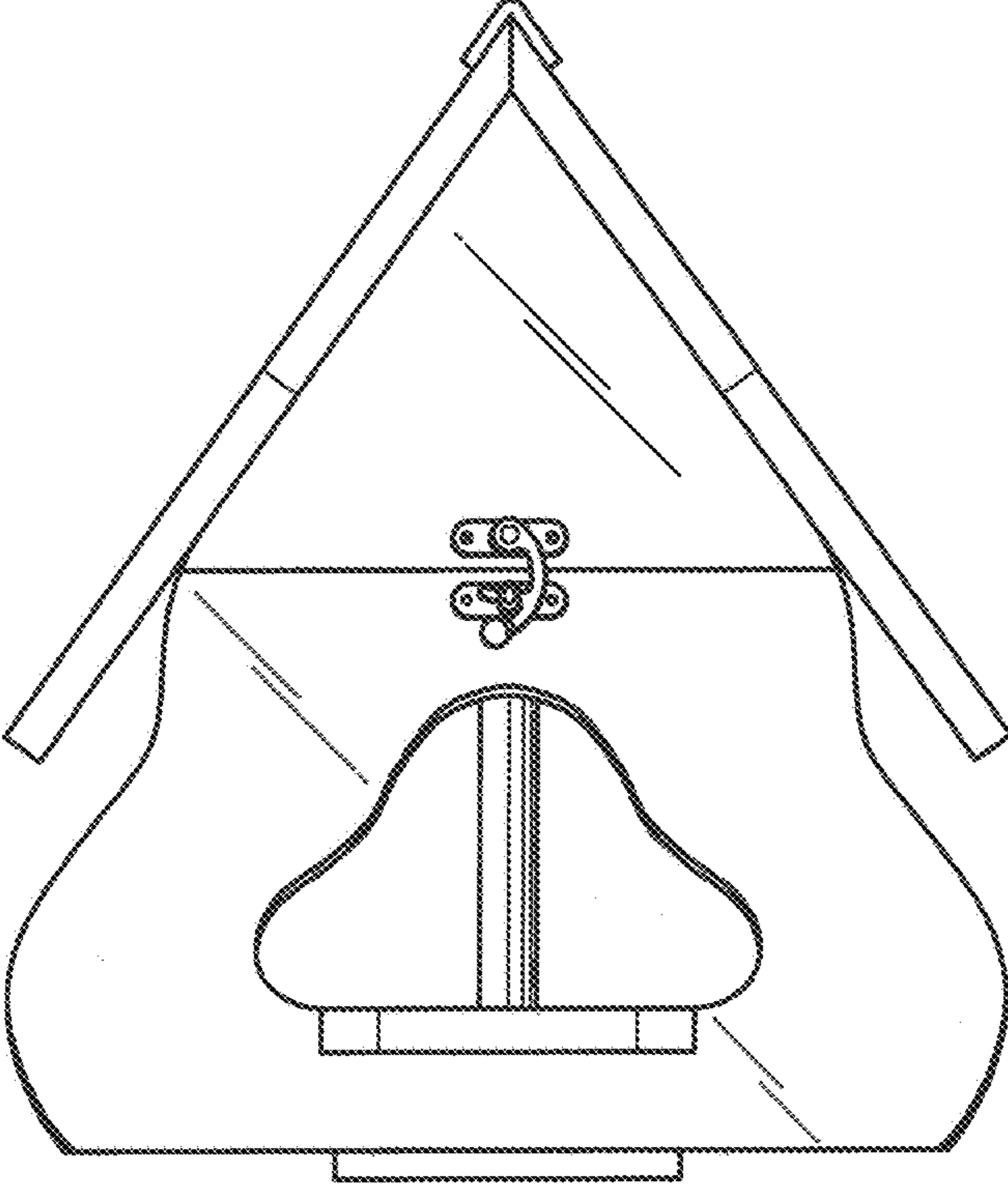


FIG. 2

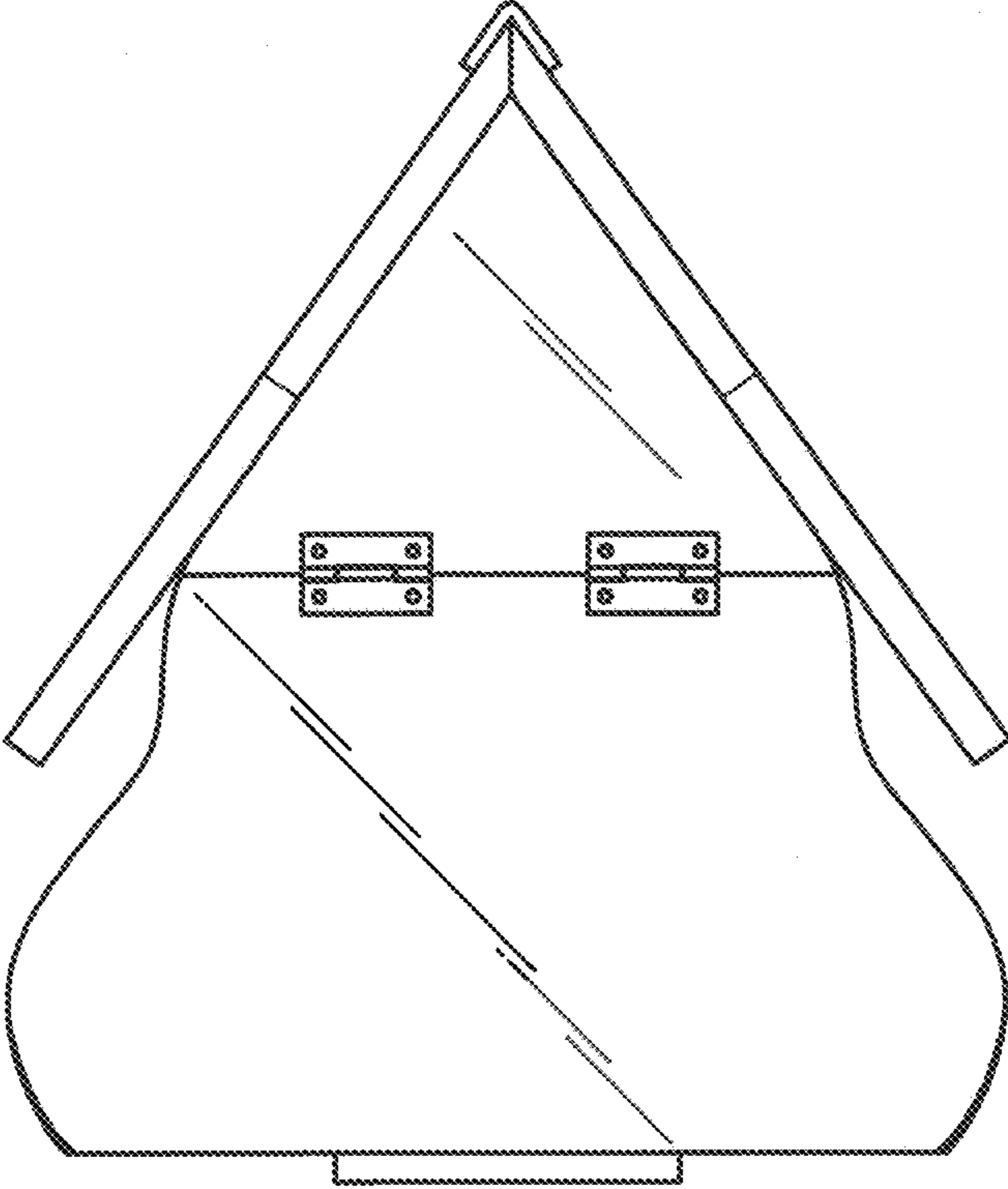


FIG. 3

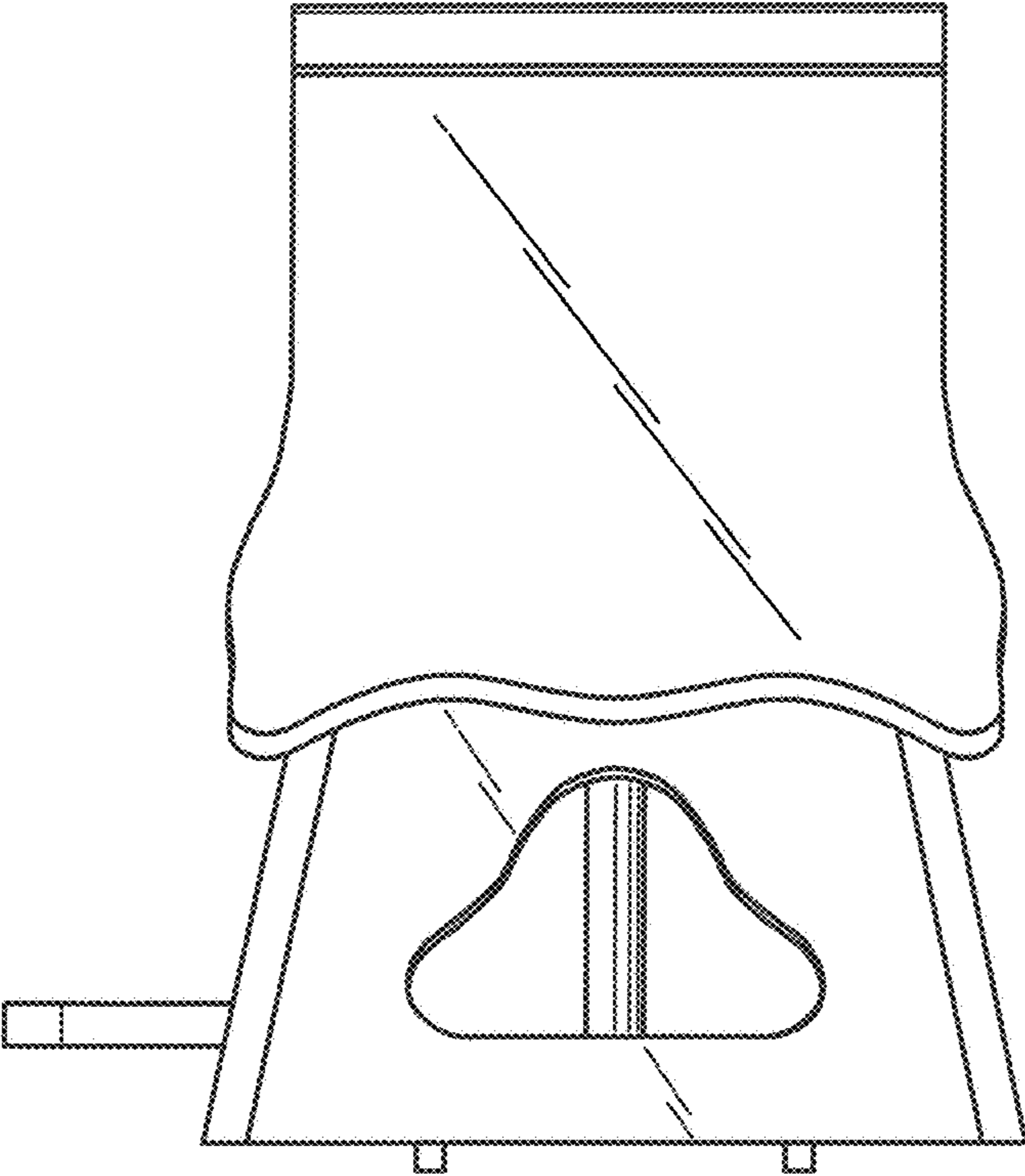


FIG. 4

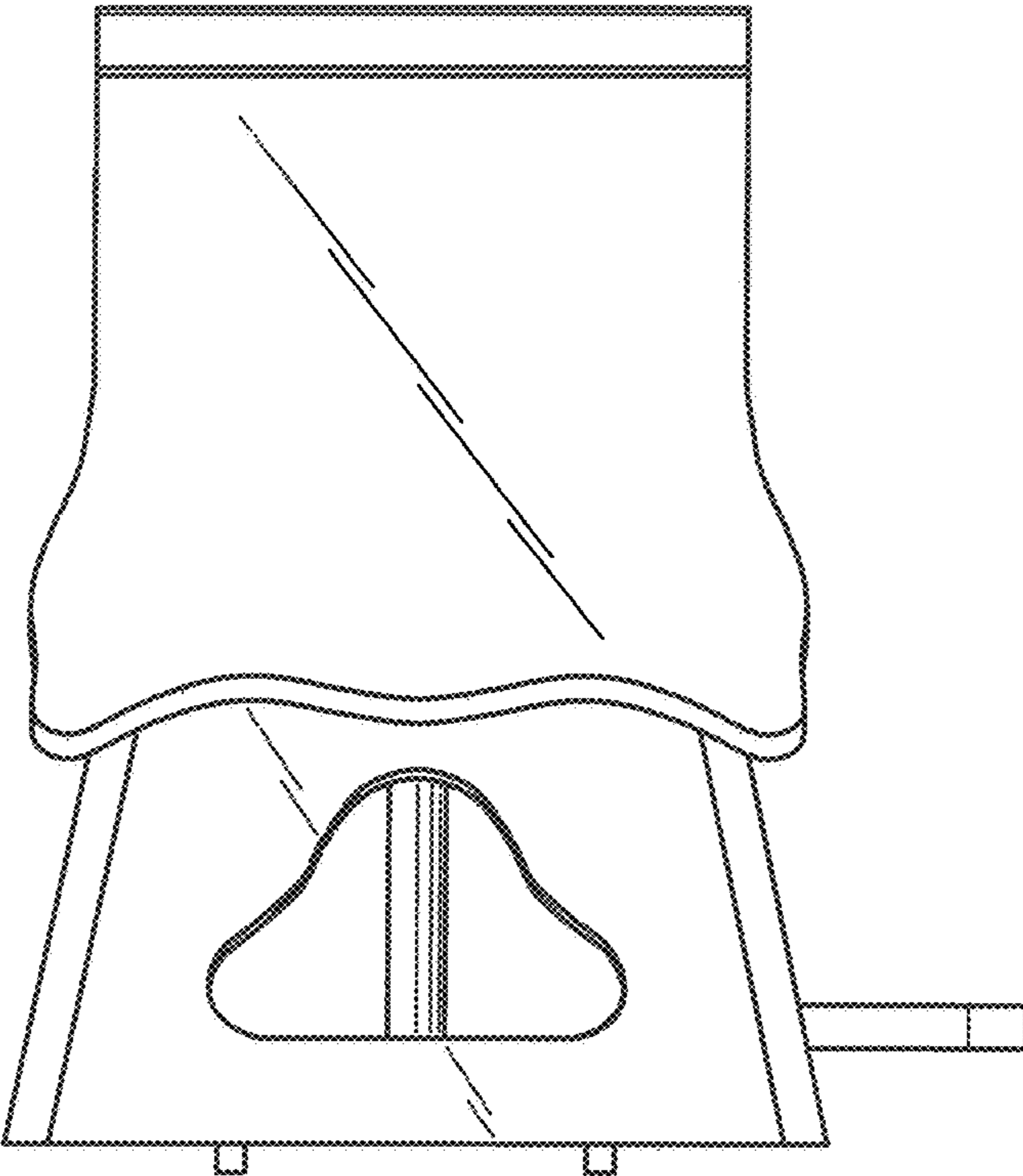


FIG. 5

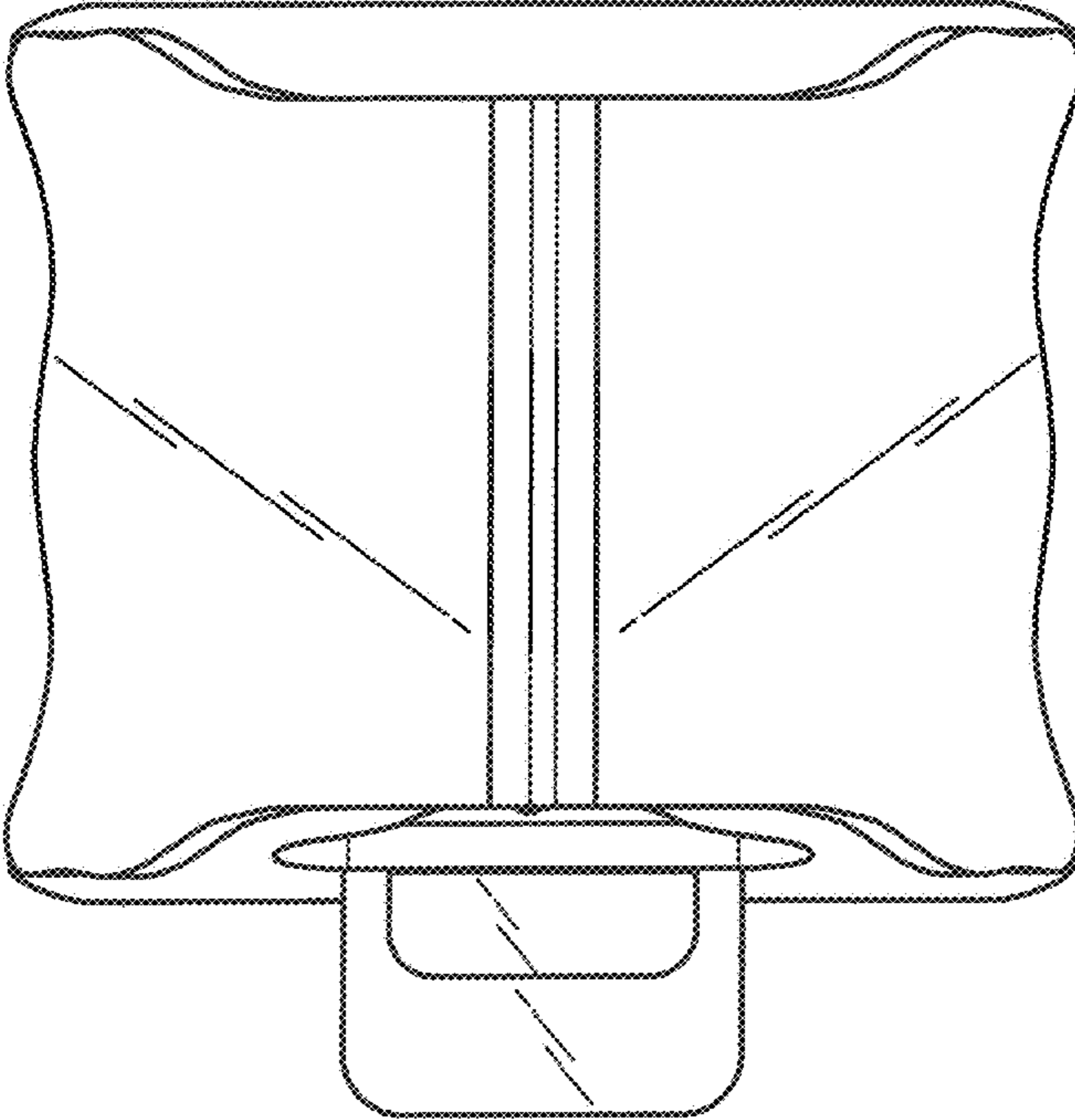


FIG. 6

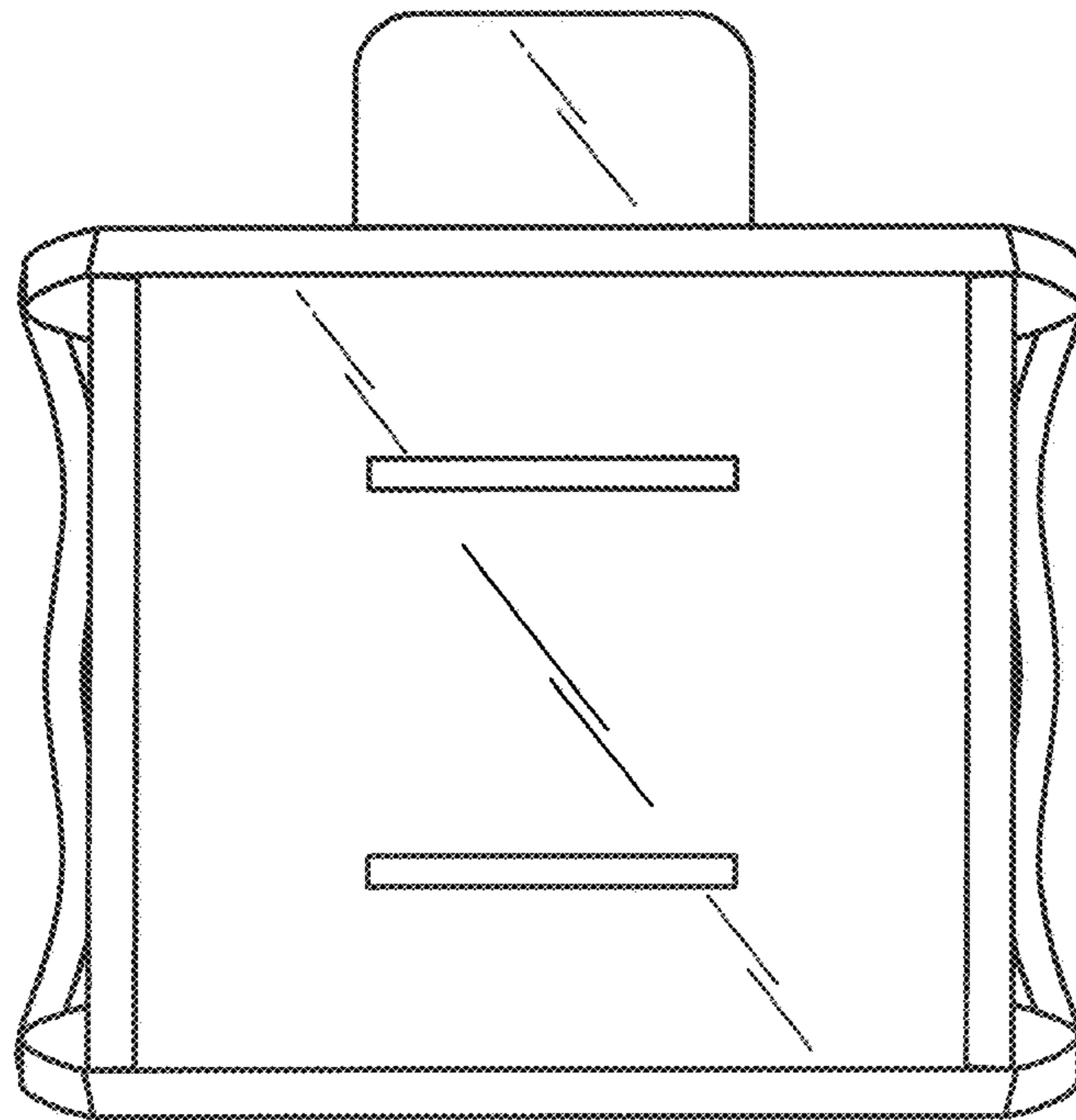


FIG. 7

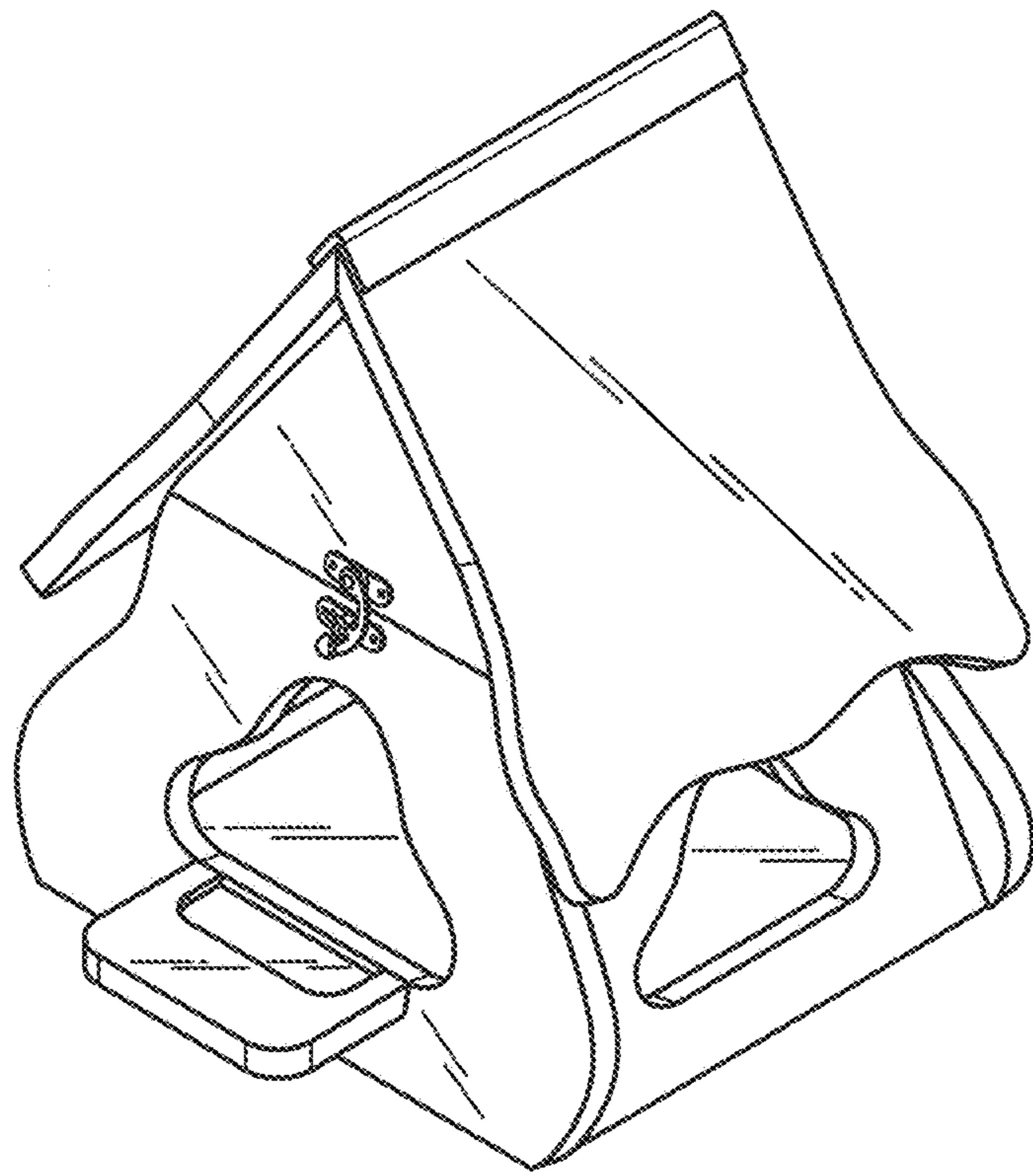


FIG. 8

