



US00D725833S

(12) **United States Design Patent**  
**Trifiro**

(10) **Patent No.:** **US D725,833 S**  
(45) **Date of Patent:** **\*\* Mar. 31, 2015**

(54) **CRATE TOP**

(71) Applicant: **Sandra K. Trifiro**, Marietta, GA (US)

(72) Inventor: **Sandra K. Trifiro**, Marietta, GA (US)

(\*\*) Term: **14 Years**

(21) Appl. No.: **29/486,690**

(22) Filed: **Apr. 1, 2014**

(51) **LOC (10) Cl.** ..... **30-02**

(52) **U.S. Cl.**  
USPC ..... **D30/119**

(58) **Field of Classification Search**  
USPC ..... D30/108–109, 112–117, 119; D6/657,  
D6/686, 690, 690.1, 691.9, 707, 707.19;  
119/452–453, 459, 461–462, 467,  
119/473–475, 480–482, 484–485, 498, 501,  
119/537, 843, 847

See application file for complete search history.

(56) **References Cited**

**U.S. PATENT DOCUMENTS**

|          |   |   |         |                |       |          |
|----------|---|---|---------|----------------|-------|----------|
| 713,756  | A | * | 11/1902 | Fawcett        | ..... | 119/493  |
| D176,491 | S | * | 1/1956  | Adler          | ..... | D6/479   |
| D301,664 | S | * | 6/1989  | Bush et al.    | ..... | D6/657   |
| D307,495 | S | * | 4/1990  | Logan, Jr.     | ..... | D30/108  |
| D315,430 | S | * | 3/1991  | Robertson, Sr. | ..... | D30/108  |
| D328,505 | S | * | 8/1992  | Perry          | ..... | D30/108  |
| D437,508 | S | * | 2/2001  | Wistehuff, Sr. | ..... | D6/662.1 |
| D483,970 | S | * | 12/2003 | Lin            | ..... | D6/511   |
| D554,389 | S | * | 11/2007 | Pierce et al.  | ..... | D30/108  |
| D580,200 | S | * | 11/2008 | Draheim        | ..... | D6/657   |
| D588,385 | S | * | 3/2009  | Domack et al.  | ..... | D6/537   |
| D609,407 | S | * | 2/2010  | Henley et al.  | ..... | D30/112  |

|          |   |   |        |               |       |         |
|----------|---|---|--------|---------------|-------|---------|
| D634,078 | S | * | 3/2011 | Lee et al.    | ..... | D30/119 |
| D637,013 | S | * | 5/2011 | Bacon et al.  | ..... | D6/537  |
| D640,837 | S | * | 6/2011 | Henley et al. | ..... | D30/108 |
| D652,231 | S | * | 1/2012 | Walker et al. | ..... | D6/567  |
| D704,901 | S | * | 5/2014 | Diskin et al. | ..... | D30/108 |

**OTHER PUBLICATIONS**

[http://www.dogcratesbeds.com/dog\\_crate\\_covers/?gclid=CL\\_wh9SZv70CFWEV7Aod1GIAng](http://www.dogcratesbeds.com/dog_crate_covers/?gclid=CL_wh9SZv70CFWEV7Aod1GIAng), Apr. 1, 2014.  
<http://www.wag.com/html/sg/x-large-dog-crate-covers.html>, Apr. 1, 2014.  
<http://www.amazon.com/Medium-cage-with-crate-cover/dp/B003XN1VHC>, Apr. 1, 2014.

\* cited by examiner

*Primary Examiner* — Cathy A MacCormac

(57) **CLAIM**

The ornamental design for a crate top, as shown and described.

**DESCRIPTION**

FIG. 1 is a perspective front view of a crate top; FIG. 2 is a perspective bottom view of the crate top; FIG. 3 is a front elevation view of the crate top; the rear elevation view being a identical to the front view shown; FIG. 4 is a left side elevation view of the crate top; the right side view being a identical to the left side view shown; FIG. 5 is a top plan view of the crate top; FIG. 6 is a bottom plan view of the crate top; and, FIG. 7 is a cross-sectional view taken on line 7-7 of FIG. 5. The broken lines shown in the drawings that illustrate a crate form no part of the claimed design.

**1 Claim, 2 Drawing Sheets**

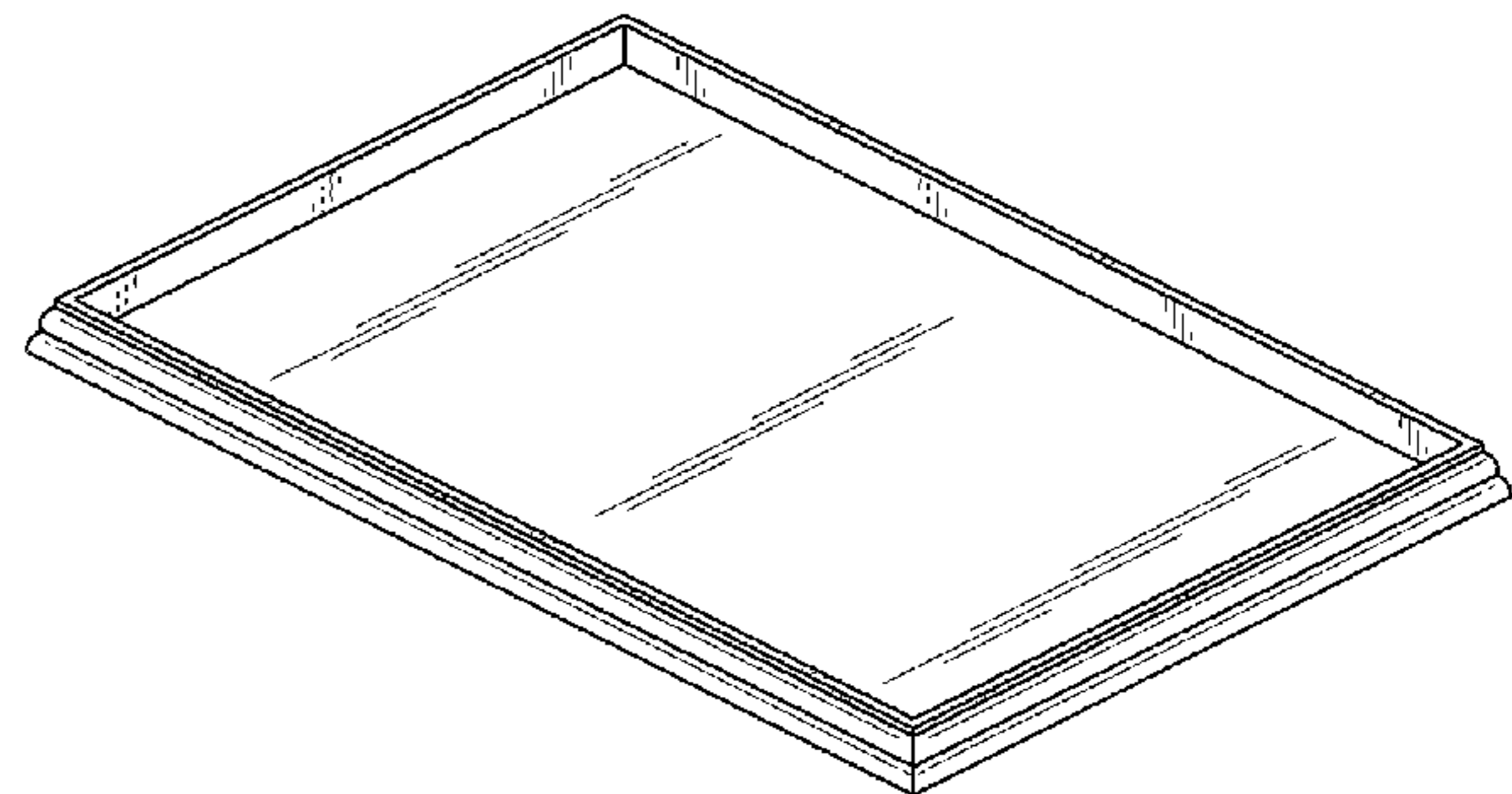
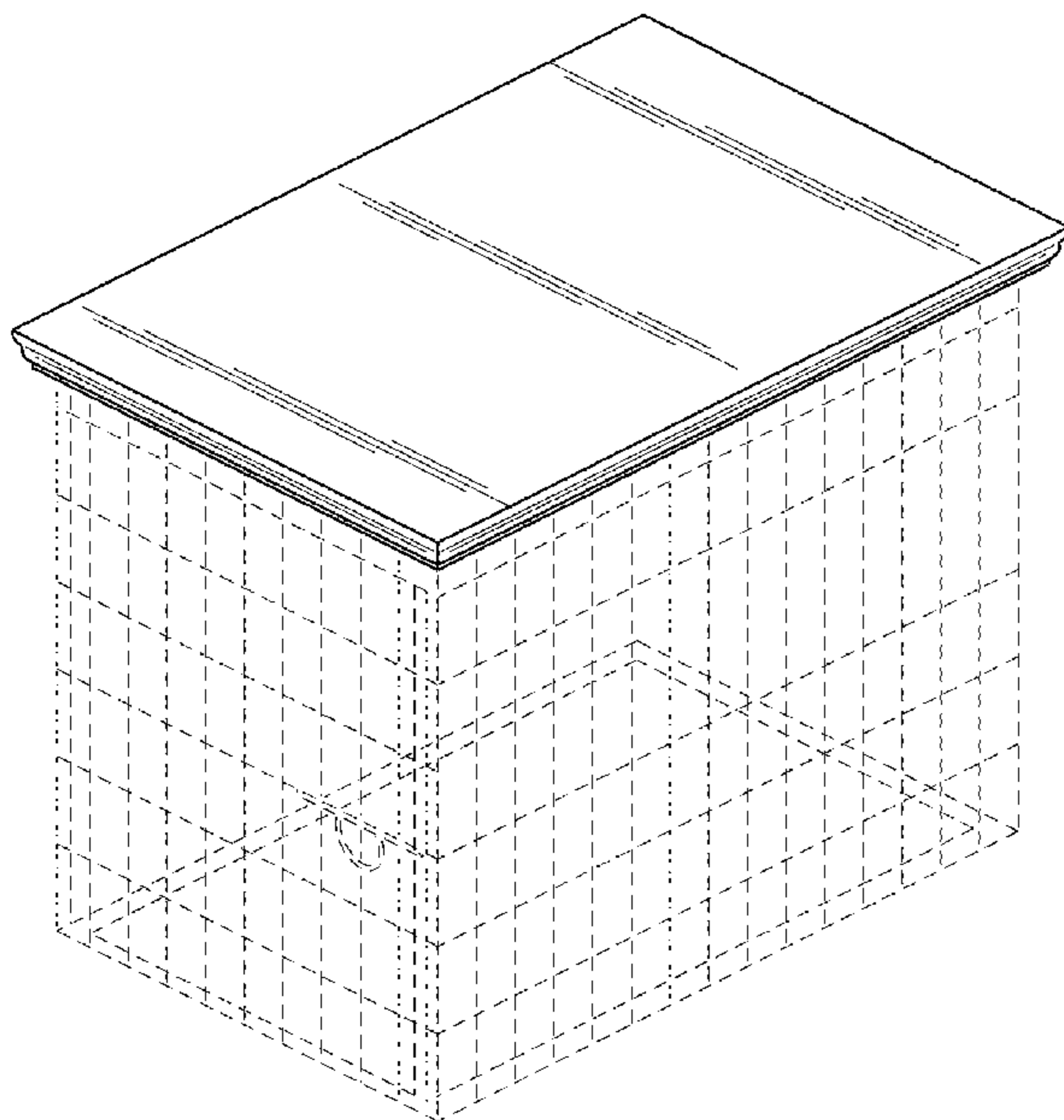


FIG. 1

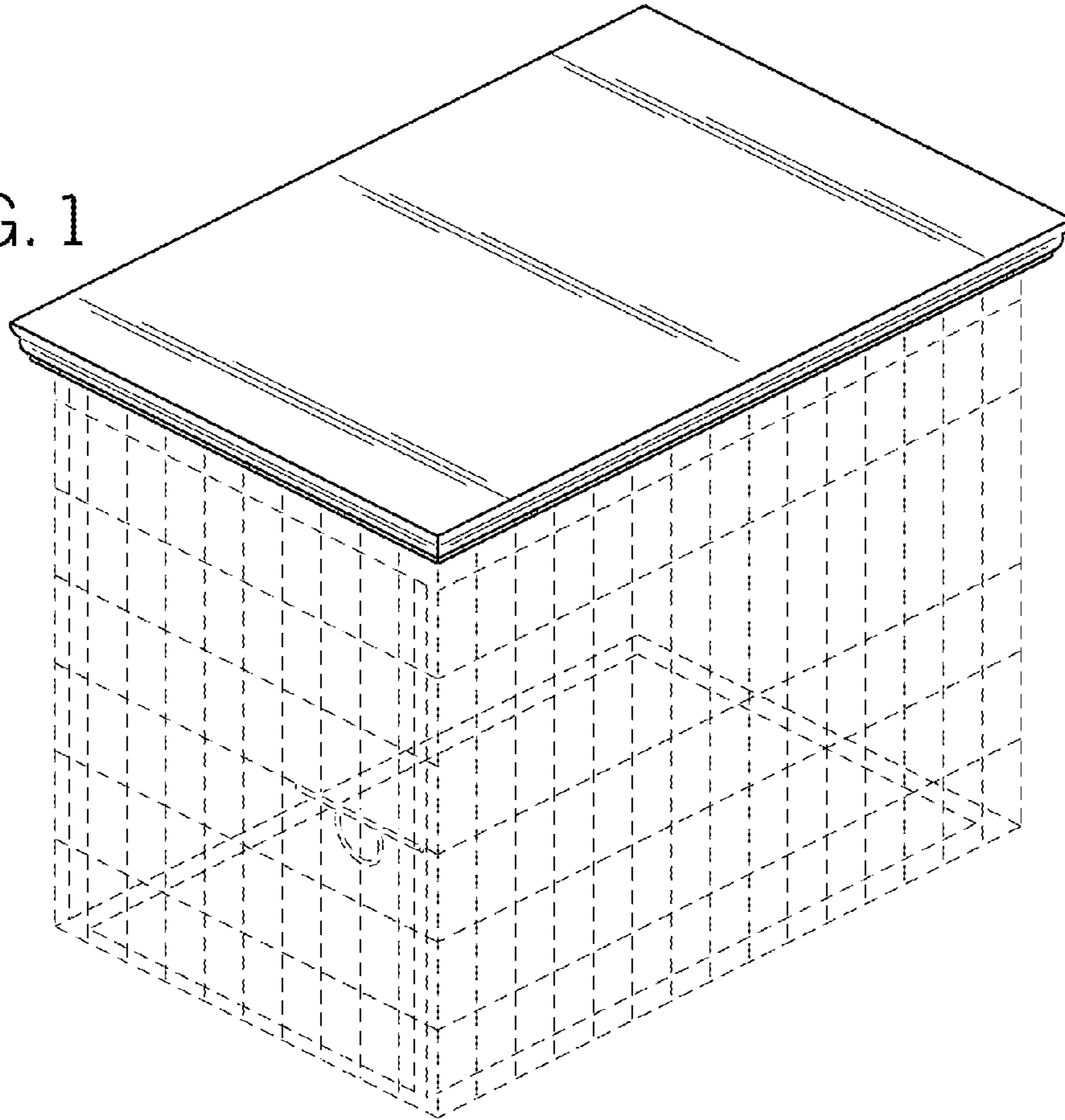


FIG. 2

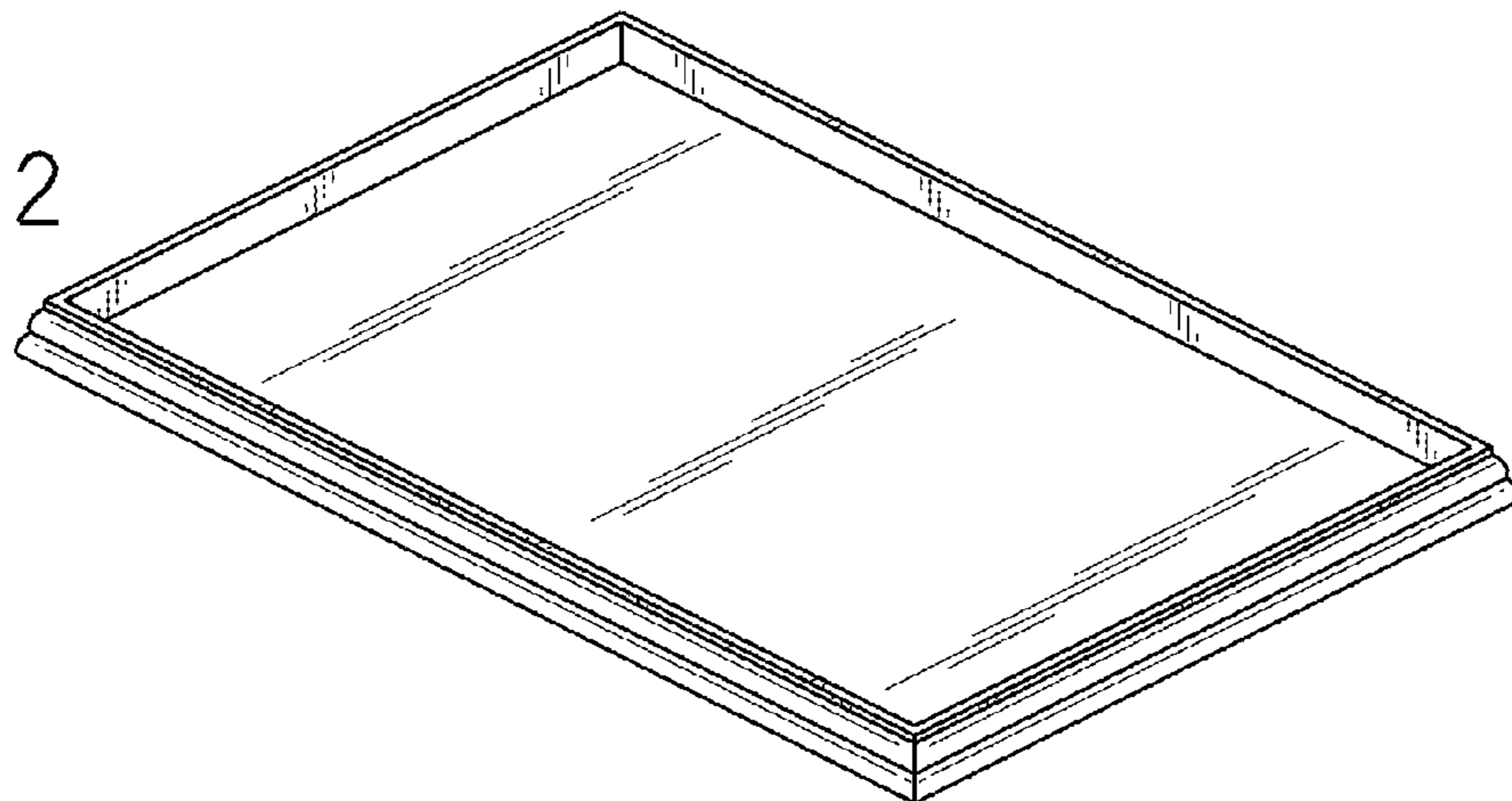




FIG. 3



FIG. 4

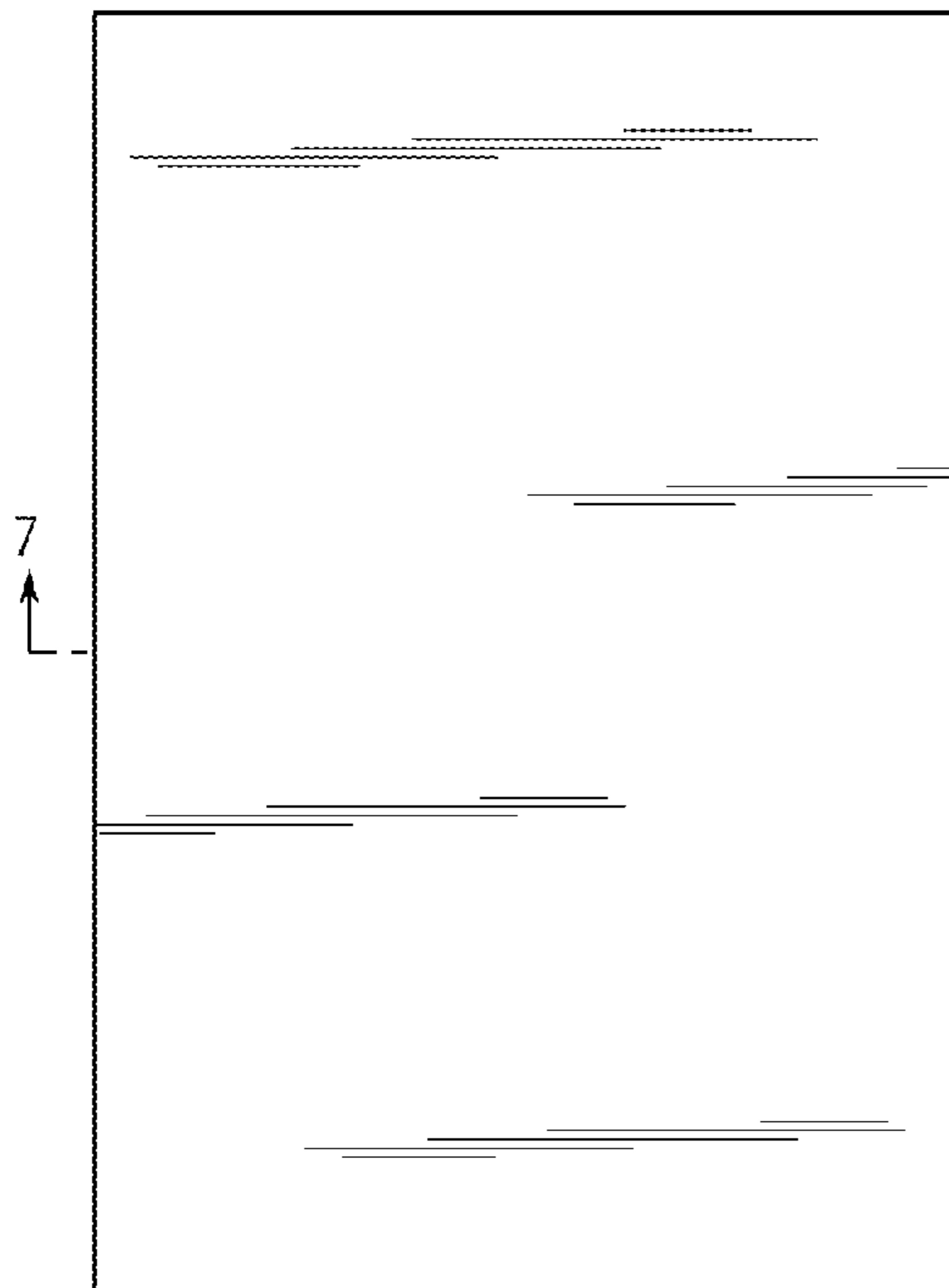


FIG. 5

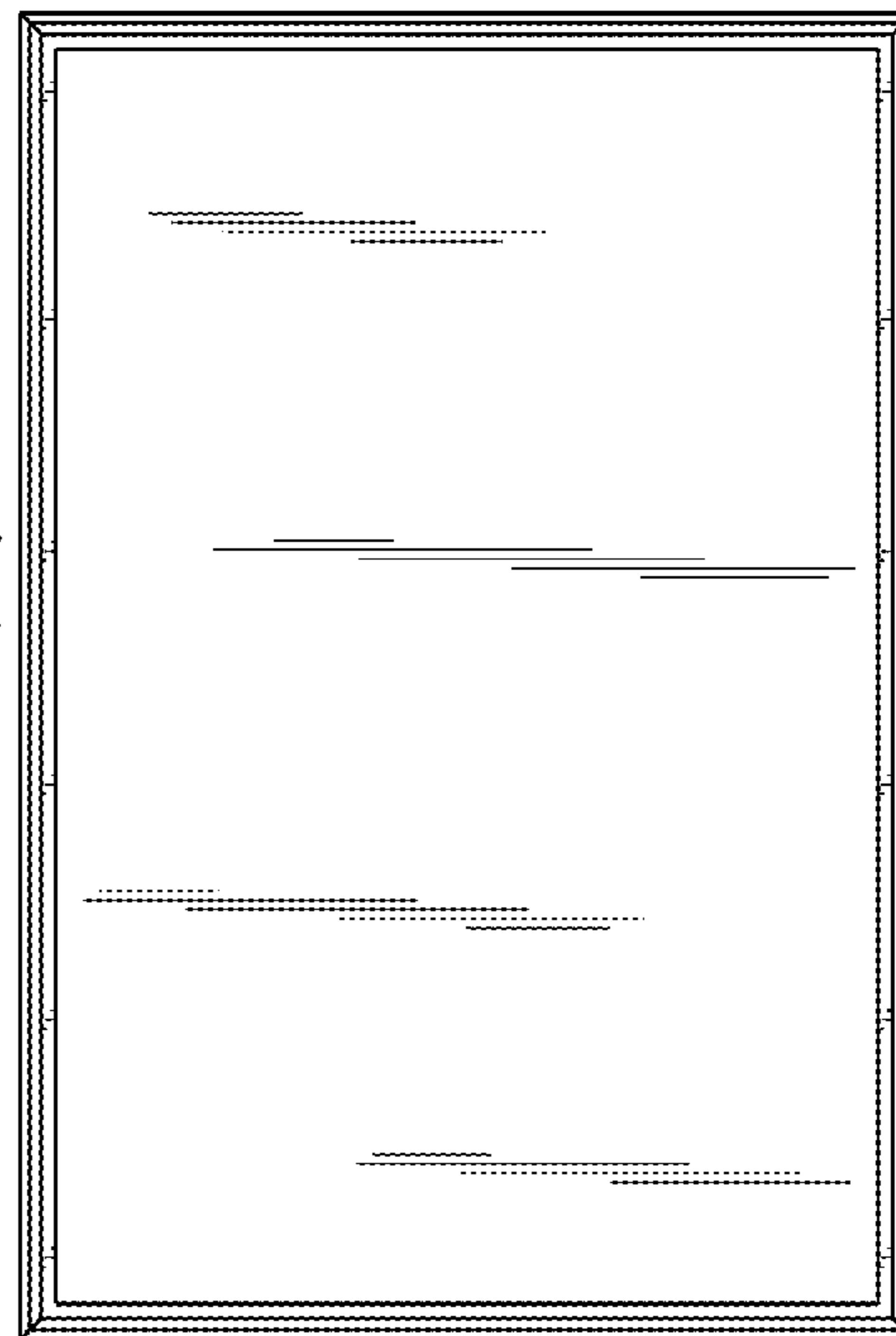


FIG. 6

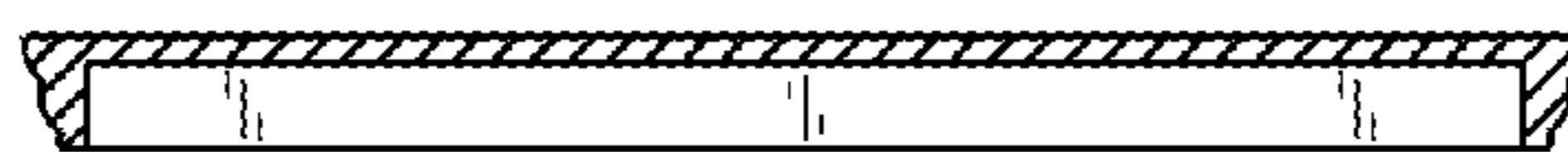


FIG. 7