



US00D725831S

(12) **United States Design Patent**  
**Verstegen et al.**

(10) **Patent No.:** **US D725,831 S**  
(45) **Date of Patent:** **\*\* Mar. 31, 2015**

- (54) **DESCENT DEVICE**
- (71) Applicant: **Evacuator International Property B.V.**,  
Uden (NL)
- (72) Inventors: **Eugene Gijsbertus Maria Verstegen**,  
Uden (NL); **Joris Veeger**, Zeeland (NL)
- (73) Assignee: **Evacuator International Property B.V.**,  
Uden (NL)

(\*\*) Term: **14 Years**  
(21) Appl. No.: **29/435,313**

(22) Filed: **Oct. 23, 2012**

(30) **Foreign Application Priority Data**

Apr. 24, 2012 (EM) ..... 002031393-0001

(51) **LOC (10) Cl.** ..... **29-02**

(52) **U.S. Cl.**  
USPC ..... **D29/124**

(58) **Field of Classification Search**  
USPC ..... D29/124; D8/349, 333, 330, 358, 360,  
D8/383, 499; 192/223.1; 242/353.5, 383,  
242/383.4; 29/434; 182/239, 237, 236, 231,  
182/232; 188/82.77  
See application file for complete search history.

(56) **References Cited**

**U.S. PATENT DOCUMENTS**

2,526,065 A \* 10/1950 Chodacki et al. .... 182/236  
4,520,895 A \* 6/1985 Armstrong ..... 182/3

4,523,664 A *	6/1985	Soubry et al. ....	182/233
4,674,599 A *	6/1987	Nelson .....	182/231
5,010,980 A *	4/1991	Thomas .....	182/236
5,494,133 A *	2/1996	Green et al. ....	182/238
6,817,443 B1 *	11/2004	Metz .....	182/82
D587,410 S *	2/2009	Wolner et al. ....	D29/124
7,658,264 B2 *	2/2010	Mauthner .....	182/5
8,061,483 B2 *	11/2011	Moriarty .....	182/231
8,167,090 B2 *	5/2012	Michael .....	182/231
8,511,434 B2 *	8/2013	Blomberg .....	182/189

\* cited by examiner

*Primary Examiner* — Randall Gholson

(74) *Attorney, Agent, or Firm* — Banner & Witcoff, Ltd.

(57) **CLAIM**

The ornamental design for a descent device, as shown and described.

**DESCRIPTION**

FIG. 1 is a top, front, right perspective view of a descent device showing our new design;  
FIG. 2 is a top view thereof;  
FIG. 3 is a bottom view thereof;  
FIG. 4 is an enlarged left side view thereof, the right side view being a mirror image thereof;  
FIG. 5 is a rear view thereof;  
FIG. 6 is a top, front, right perspective view of the descent device of FIGS. 1-5 in an open position; and,  
FIG. 7 is a top, front, right perspective view of the descent device of FIGS. 1-5 in a second open position.  
The broken lines are for environmental purposes only and form no part of the claimed design.

**1 Claim, 7 Drawing Sheets**

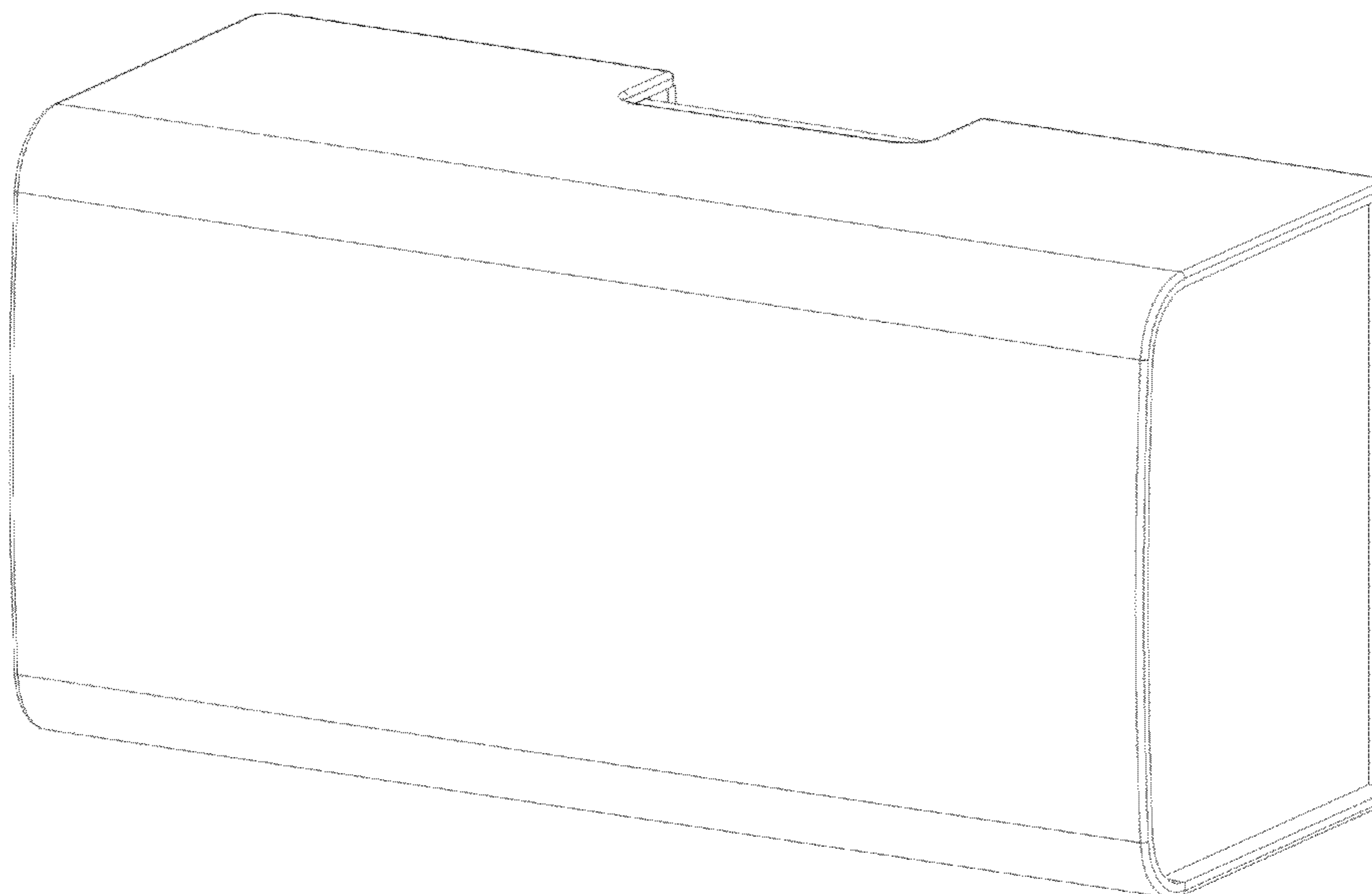


FIG. 1

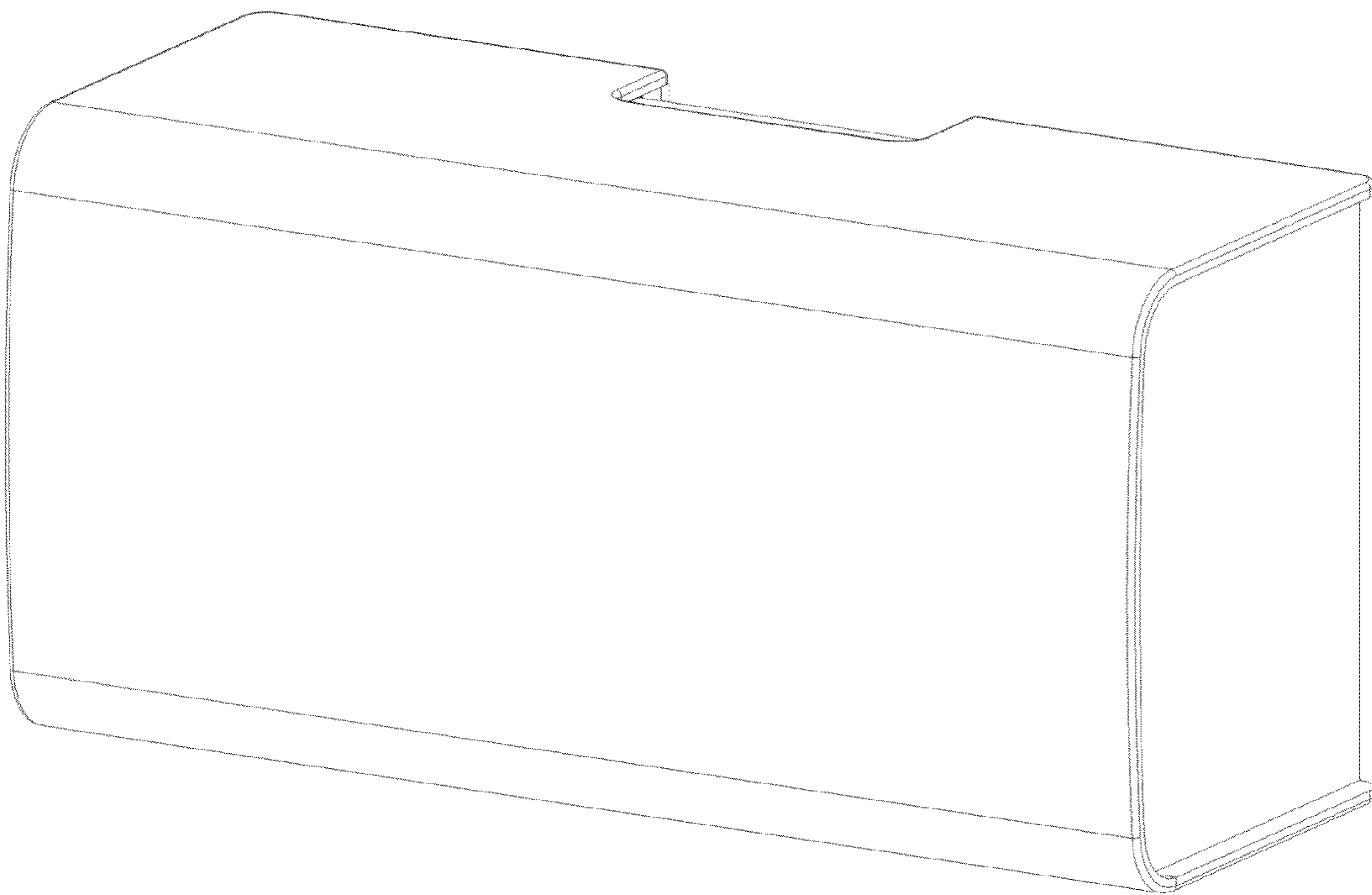
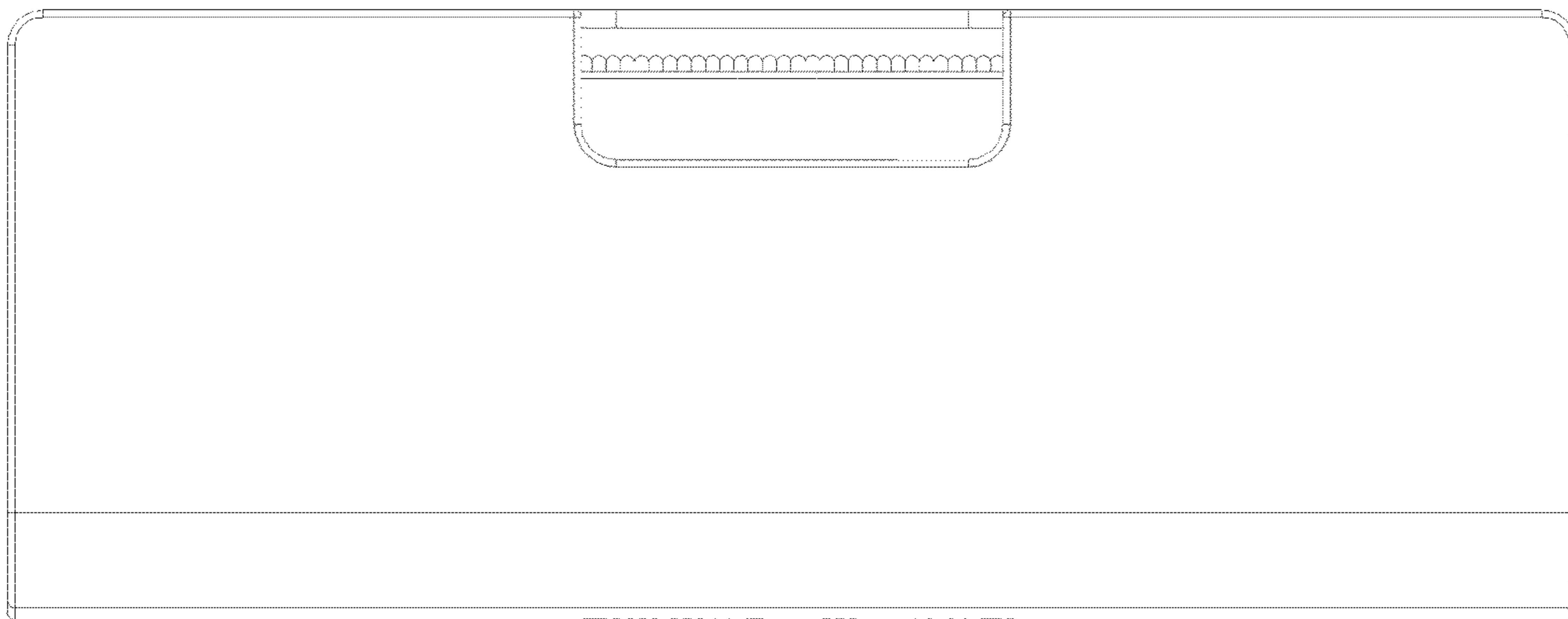


FIG. 2



**FIG. 3**



FIG. 4

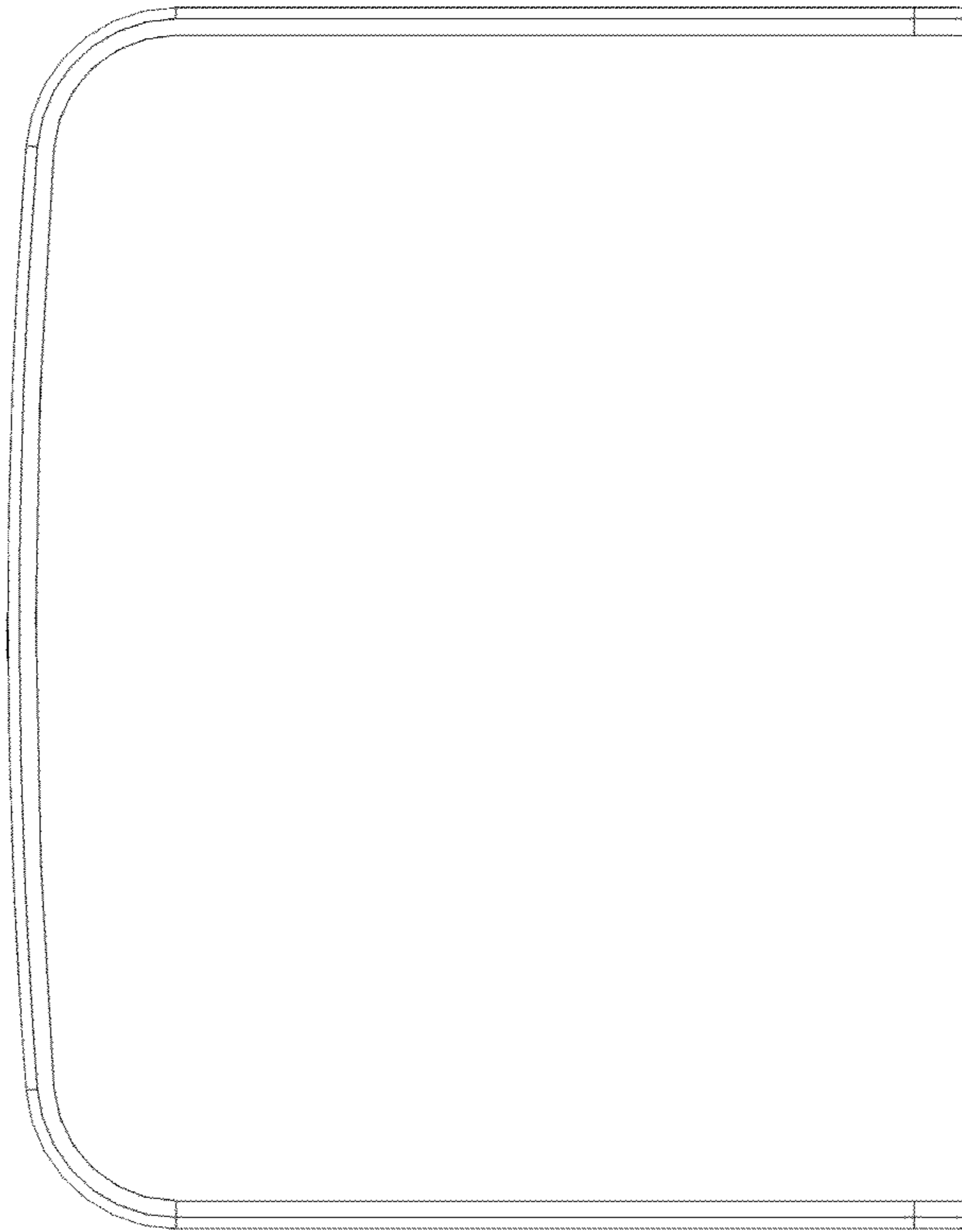


FIG. 5

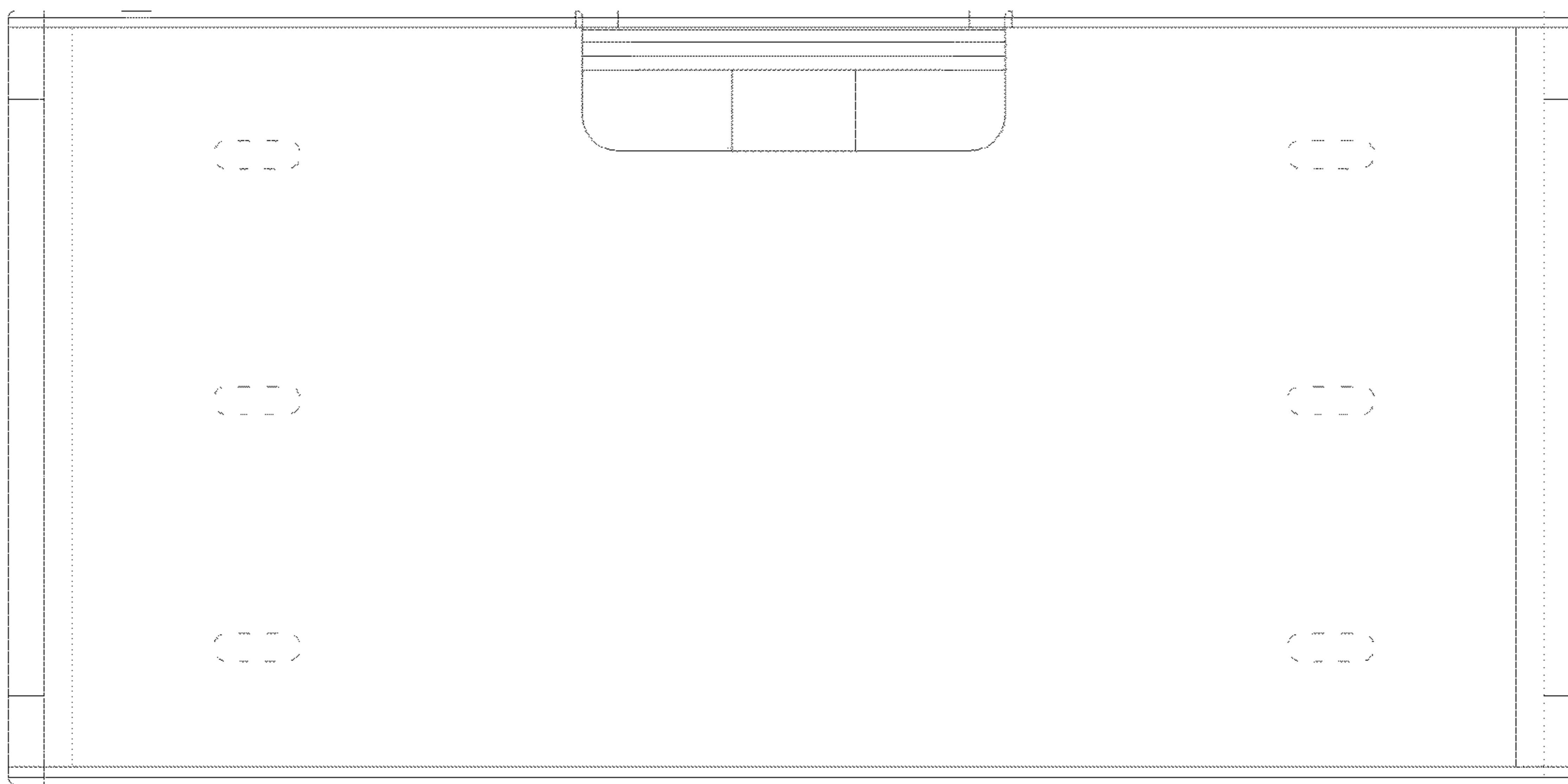


FIG. 6

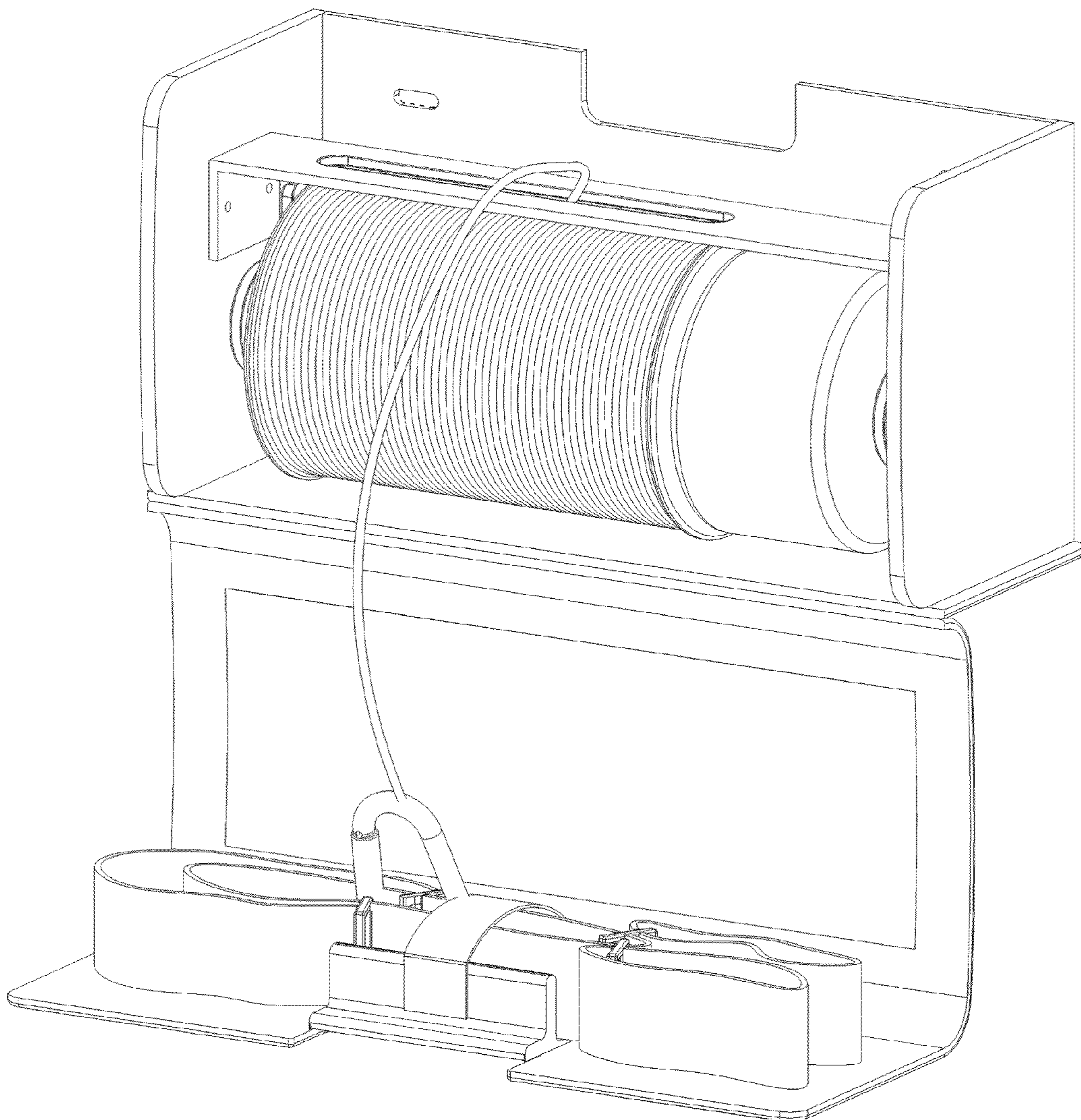


FIG. 7

