

US00D725826S

(12) **United States Design Patent**
Takeuchi

(10) **Patent No.:** **US D725,826 S**
(45) **Date of Patent:** **** Mar. 31, 2015**

(54) **SAFETY VEST**

(56) **References Cited**

U.S. PATENT DOCUMENTS

(71) Applicant: **Mugen Denko Co., Ltd.**, Nagoya (JP)

D235,489 S *	6/1975	Spitz	D29/101.1
D353,256 S *	12/1994	VanZelf	D29/101.4
D475,814 S *	6/2003	Lesley	D29/101.4
6,961,957 B2 *	11/2005	Carlson	2/2.5
7,419,414 B2 *	9/2008	Wagner	441/112
7,438,619 B2 *	10/2008	Staver et al.	441/115
D590,545 S *	4/2009	Lesley	D29/101.4
D670,033 S *	10/2012	Kusnier	D29/101.4

(72) Inventor: **Kenji Takeuchi**, Aichi (JP)

(73) Assignee: **Mugen Denko Co., Ltd.** (JP)

* cited by examiner

(**) Term: **14 Years**

Primary Examiner — Randall Gholson

(21) Appl. No.: **29/485,983**

(74) *Attorney, Agent, or Firm* — Harness, Dickey & Pierce, P.L.C.

(22) Filed: **Mar. 25, 2014**

(57) **CLAIM**

(30) **Foreign Application Priority Data**

The ornamental design for a safety vest, as shown and described.

Feb. 7, 2014 (EM) 002400929

DESCRIPTION

(51) **LOC (10) Cl.** **29-02**

FIG. 1 is a perspective view of a safety vest embodying my new design;

(52) **U.S. Cl.**

FIG. 2 is a front view thereof;

USPC **D29/101.4**

FIG. 3 is a back view thereof;

(58) **Field of Classification Search**

USPC D29/100, 101.1, 101.2, 101.3, 101.4,
D29/101.5, 124; D21/804, 805; 441/115;
2/2.5, 48, 46, 51, 69, 79, 85, 92, 93,
2/94, 102, 108; 5/81.1 R; 362/108;
D24/190; D2/830

FIG. 4 is a top view thereof;

FIG. 5 is a bottom view thereof;

FIG. 6 is a left view thereof; and,

FIG. 7 is a right view thereof.

The broken lines shown in the drawings show unclaimed subject matter only and form no part of the claimed design.

See application file for complete search history.

1 Claim, 7 Drawing Sheets

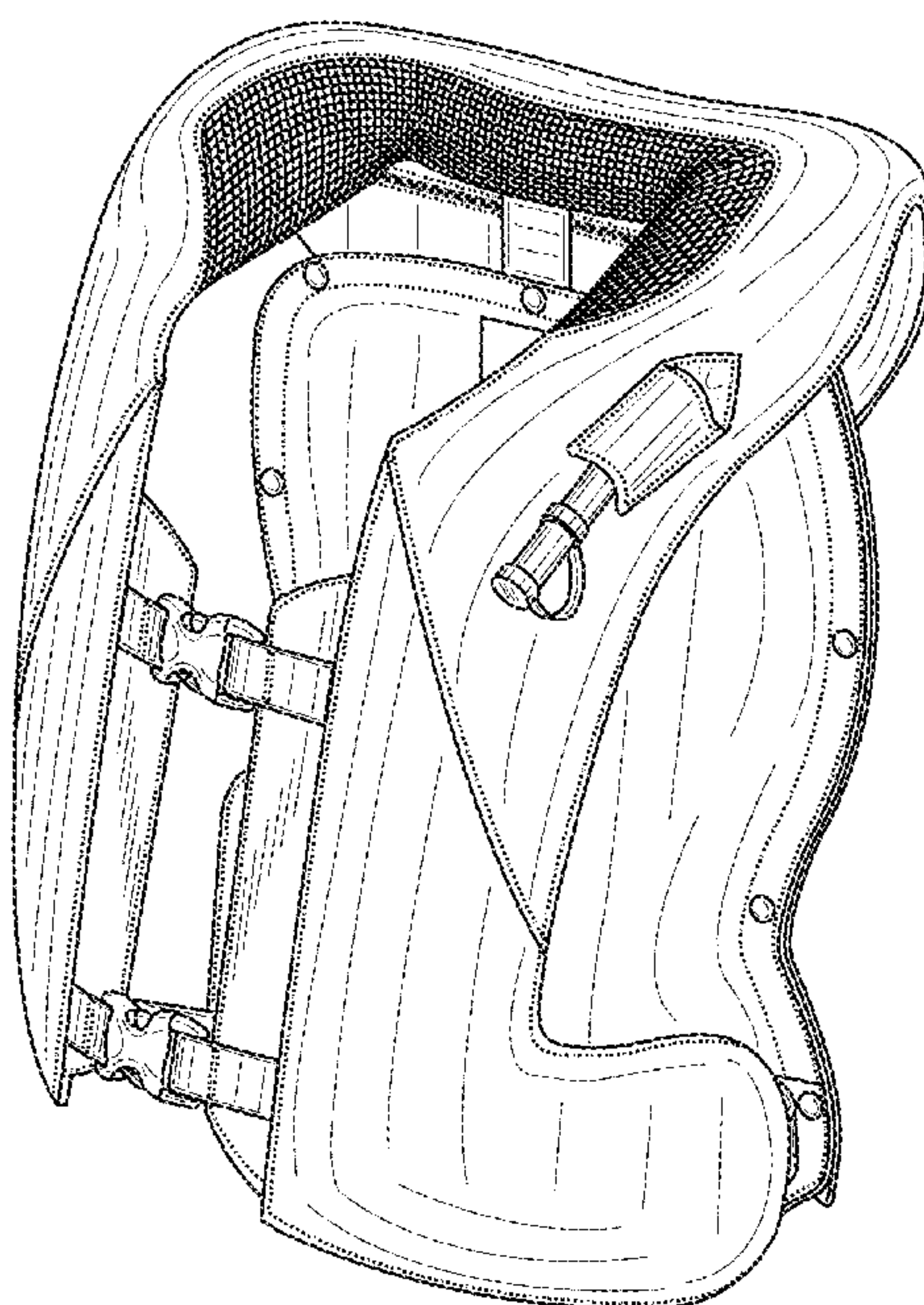


FIG. 1

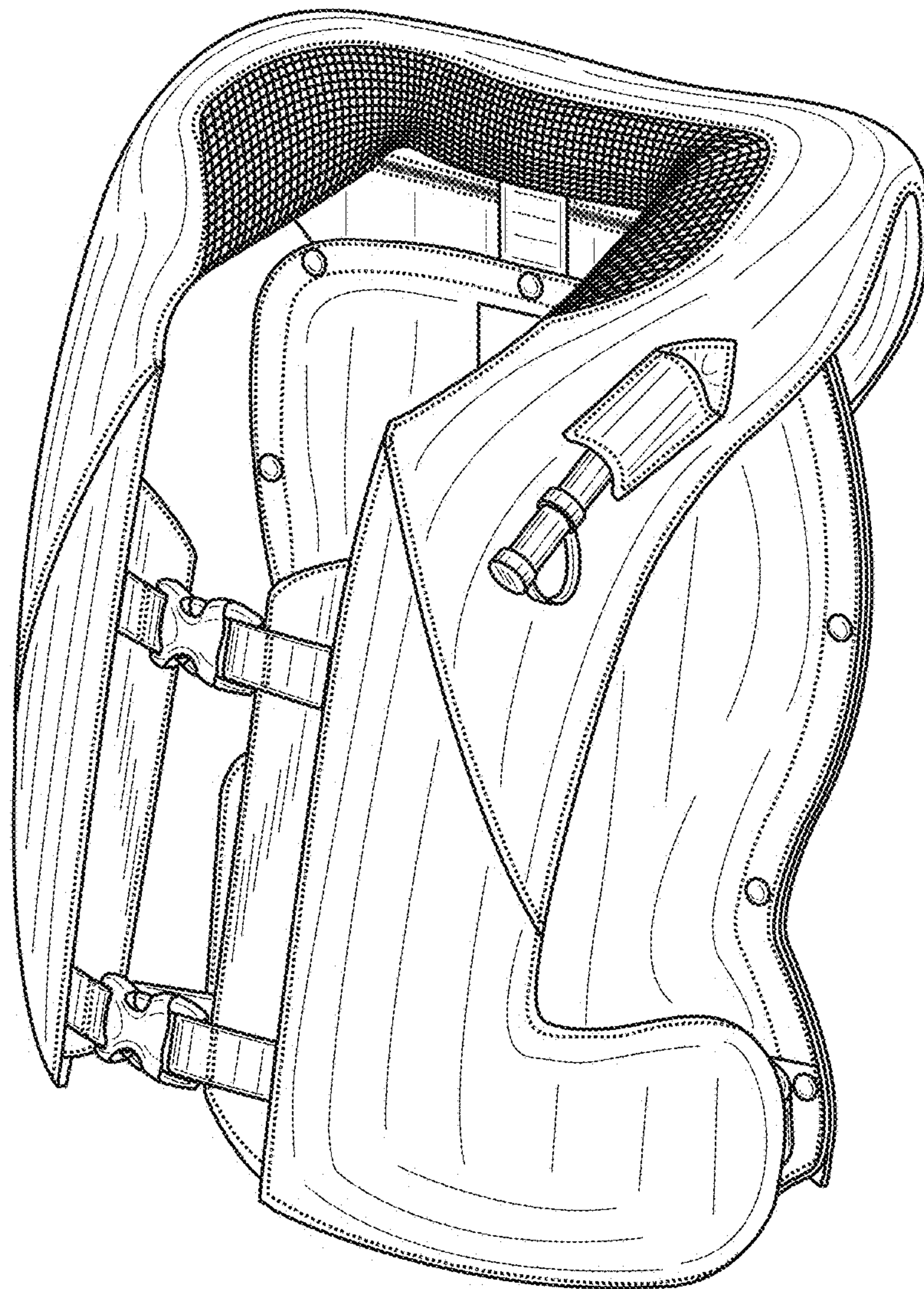


FIG. 2

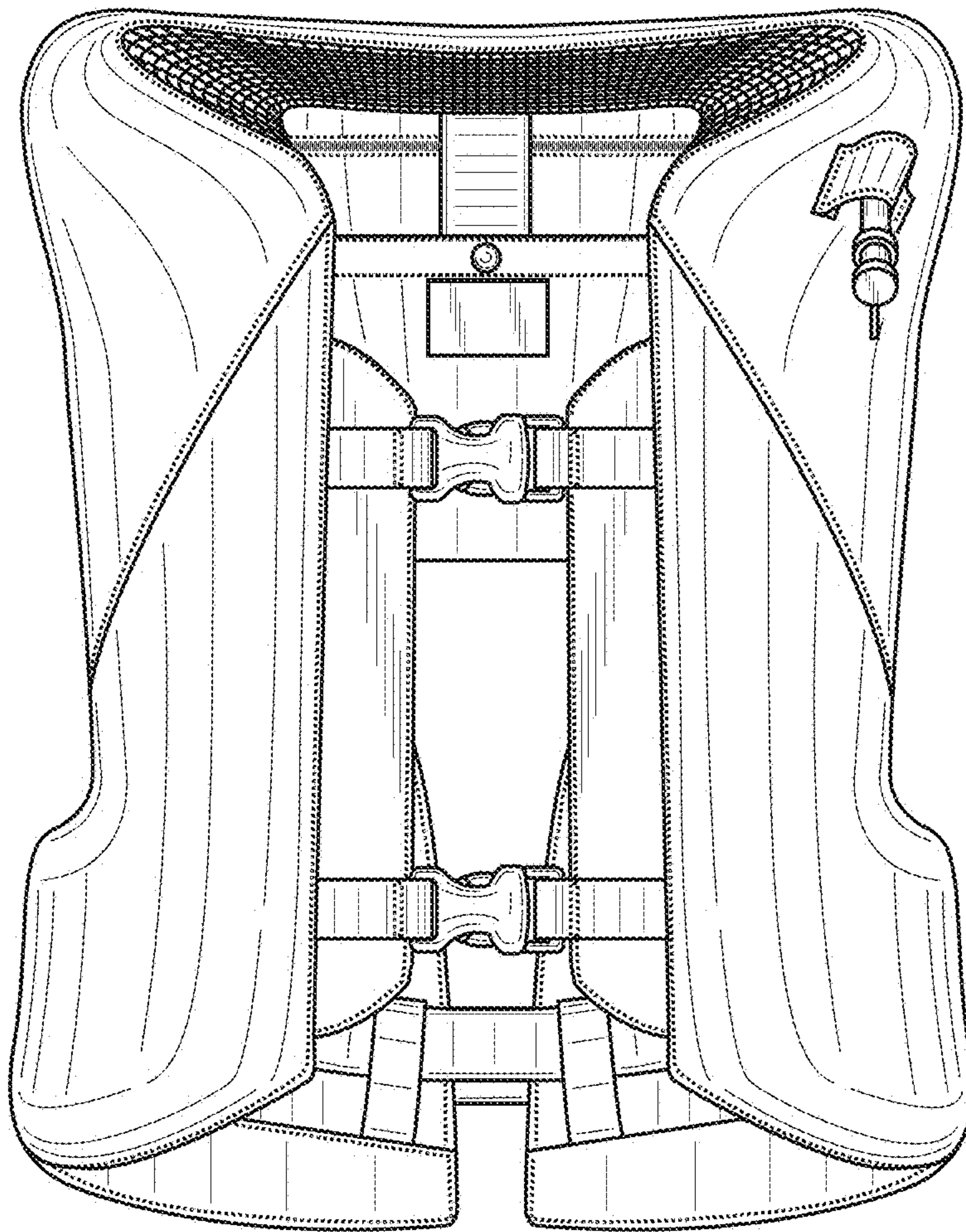


FIG. 3

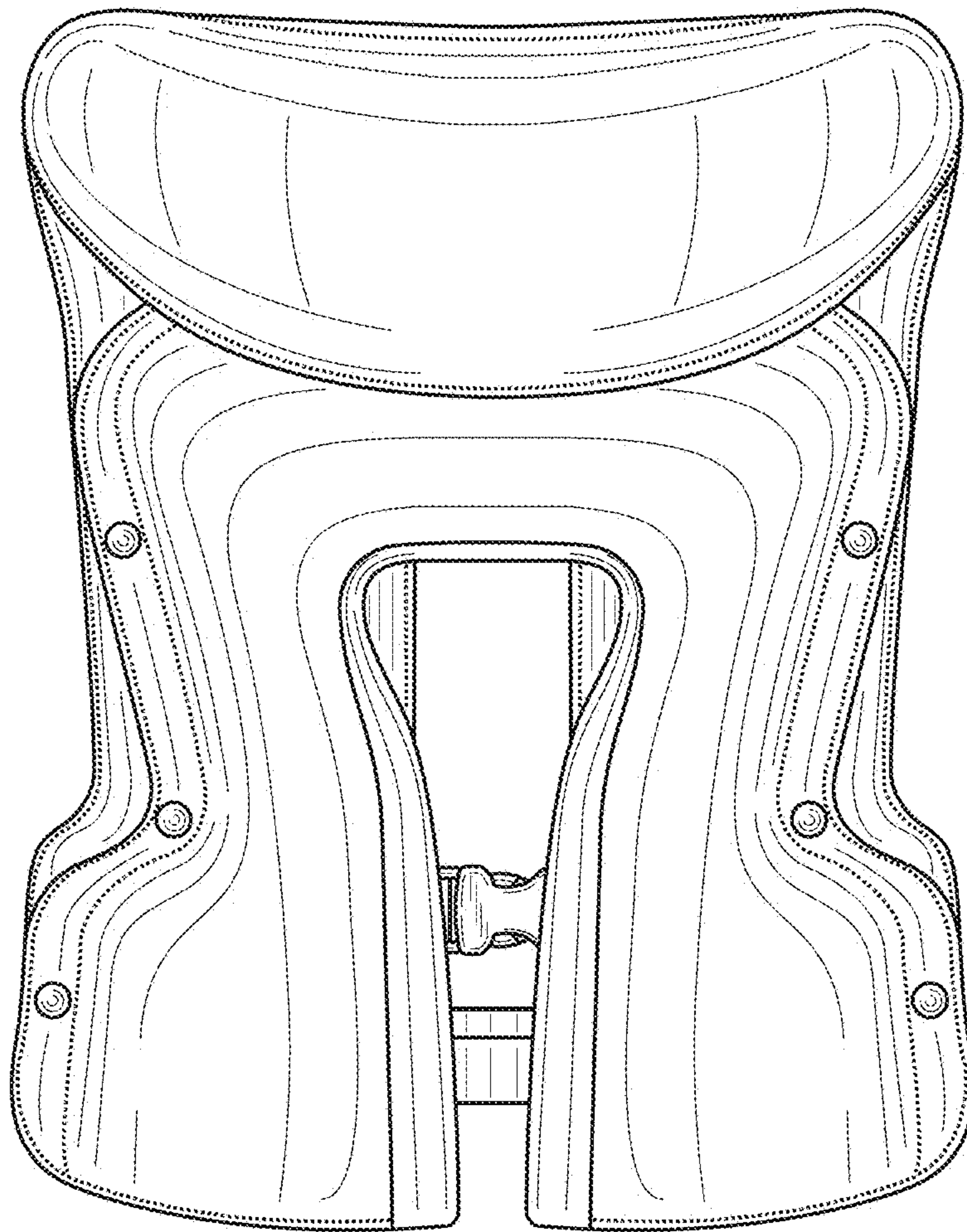


FIG. 4

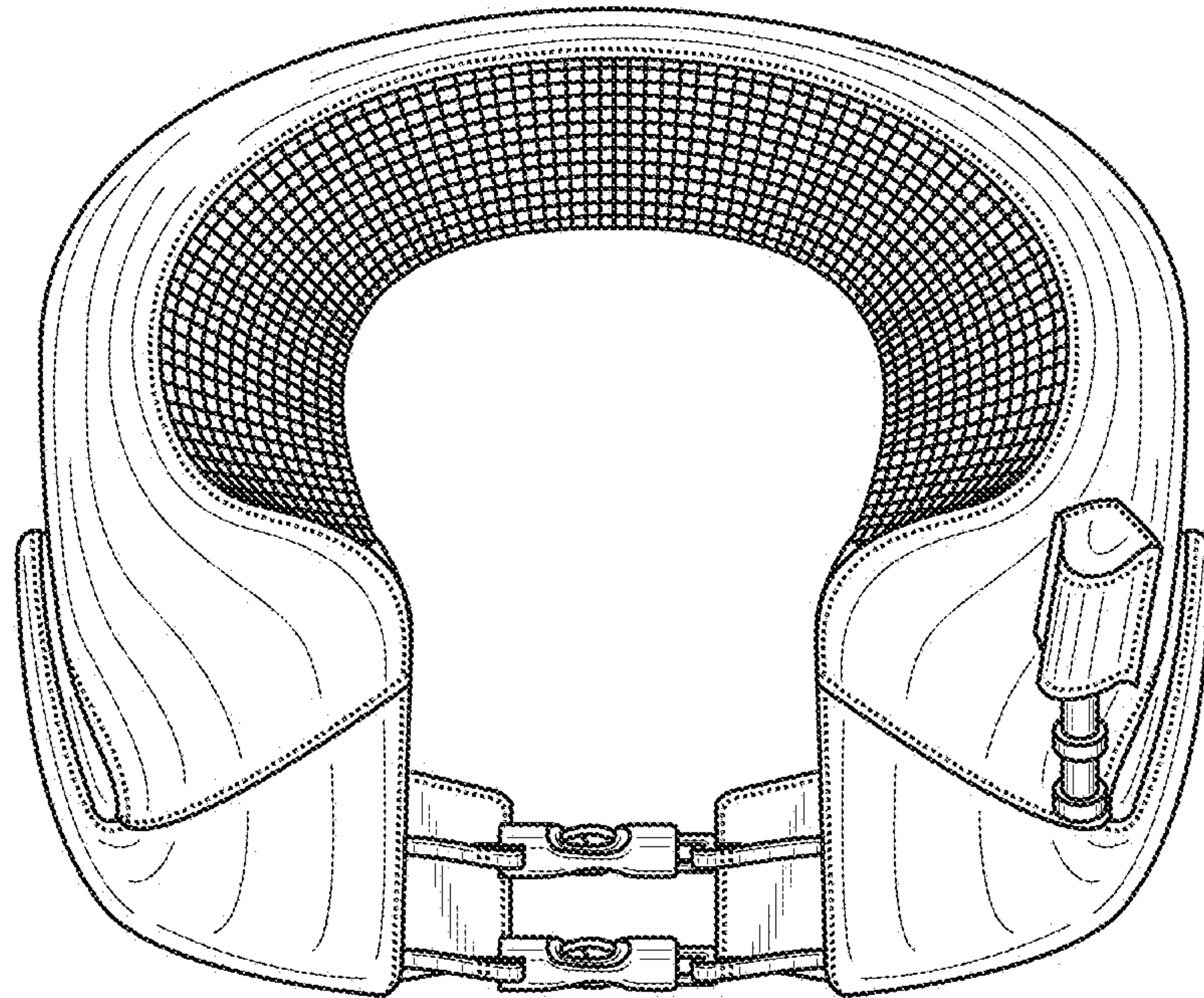


FIG. 5

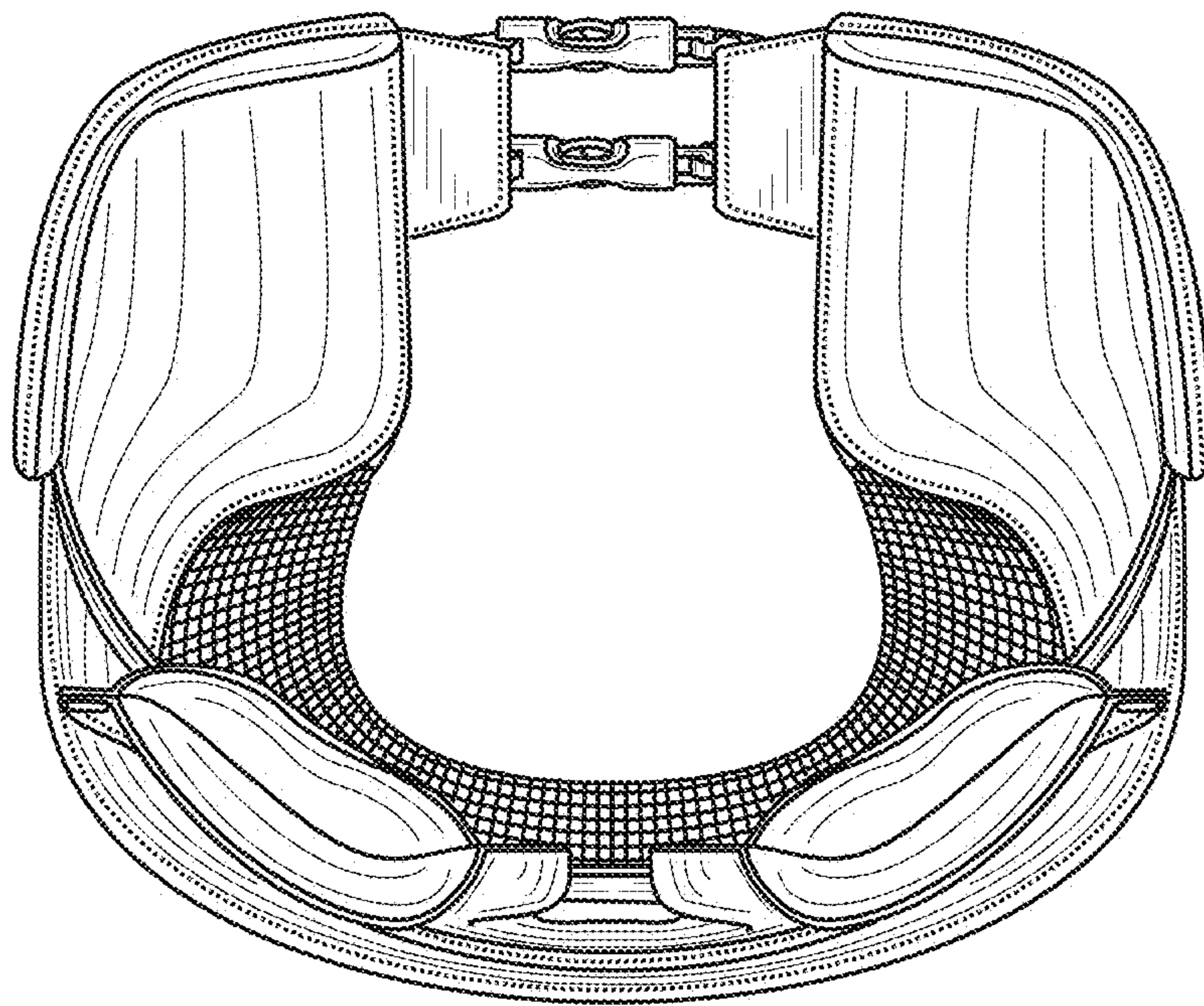


FIG. 6

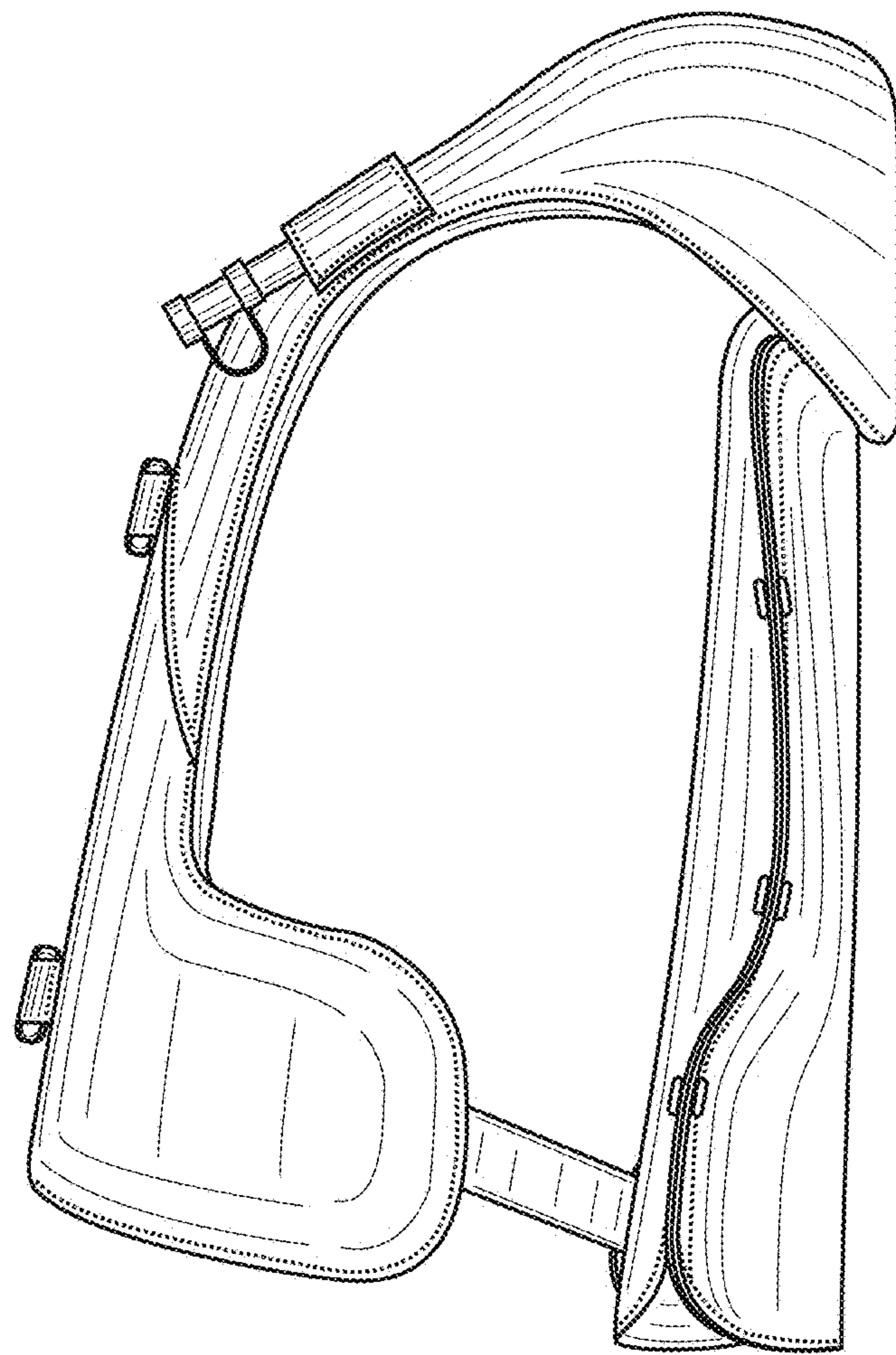


FIG. 7

