



US00D725825S

(12) **United States Design Patent**
Seman et al.

(10) **Patent No.:** **US D725,825 S**
(45) **Date of Patent:** **** Mar. 31, 2015**

- (54) **FALL PROTECTION HARNESS**
- (71) Applicant: **Honeywell International, Inc.**,
Morristown, NJ (US)
- (72) Inventors: **Michael Seman**, Cranberry Township,
PA (US); **Douglas Mercier**, Mars, PA
(US); **Edward Bickrest**, Morristown, NJ
(US); **Lisa Alsdorf**, Morristown, NJ
(US); **Eric Manson**, Franklin, PA (US);
Hugh Smith, Morristown, NJ (US)
- (73) Assignee: **Honeywell International Inc.**,
Morristown, NJ (US)
- (**) Term: **14 Years**
- (21) Appl. No.: **29/434,209**
- (22) Filed: **Oct. 10, 2012**
- (51) **LOC (10) Cl.** **29-02**
- (52) **U.S. Cl.**
USPC **D29/101.1**
- (58) **Field of Classification Search**
USPC D29/100, 101.1, 101.2, 101.3, 101.4,
D29/101.5; 182/3, 4; 244/151 R; D24/190;
224/160; D30/152
See application file for complete search history.

6,691,824	B2 *	2/2004	Sharp	182/3
6,836,902	B2 *	1/2005	Marquez et al.	2/69
D556,383	S *	11/2007	Petzl	D29/101.1
D597,708	S *	8/2009	Basenberg et al.	D29/101.4
D621,549	S *	8/2010	Johnson et al.	D29/101.2
8,061,479	B2 *	11/2011	Harris, Jr.	182/3
8,235,173	B2 *	8/2012	Kopp	182/6

* cited by examiner

Primary Examiner — Randall Gholson
(74) *Attorney, Agent, or Firm* — Thompson Patent Law;
Craig Thompson

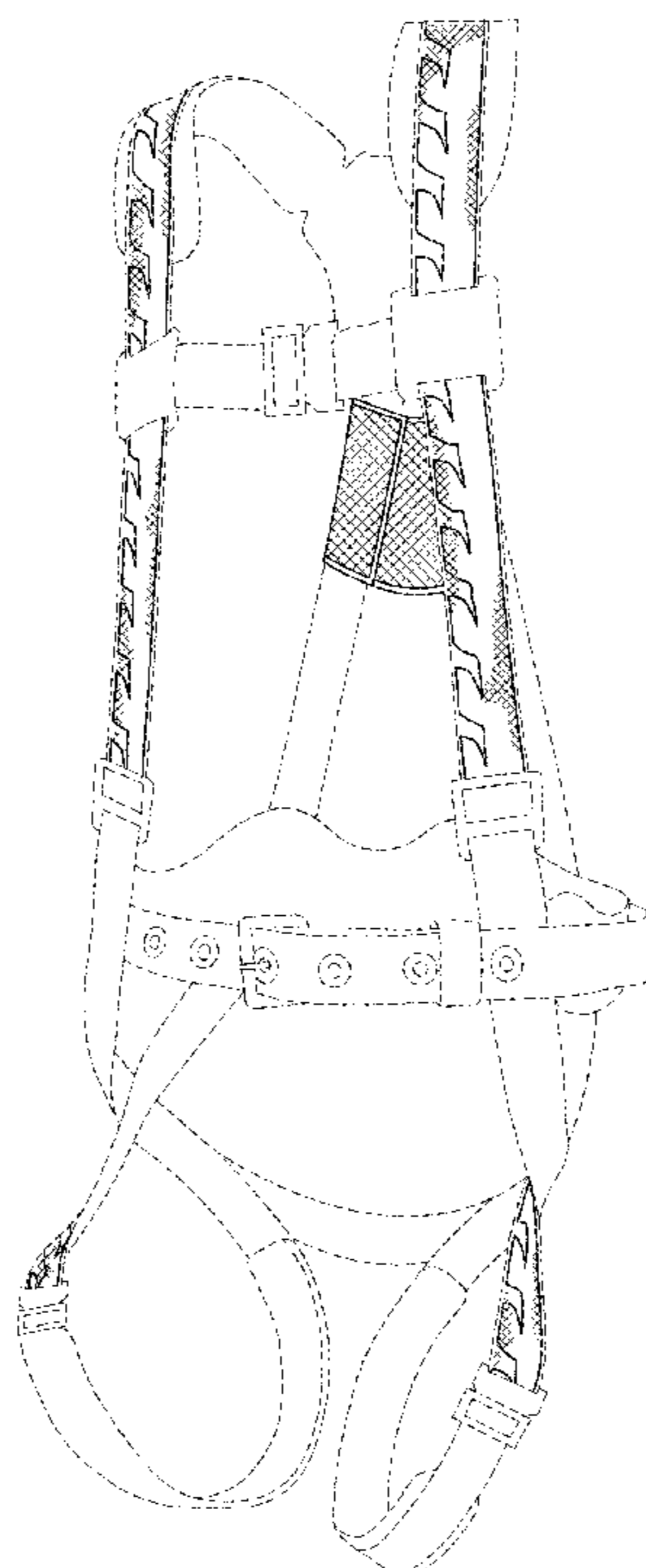
(57) **CLAIM**
The ornamental design for a fall protection harness, as shown
and described.

DESCRIPTION

FIG. 1 is a front perspective view of a fall protection harness
showing the new design;
FIG. 2 is a back perspective view thereof;
FIG. 3 is a front elevation view thereof;
FIG. 4 is a back elevation view thereof;
FIG. 5 is a left elevation view thereof;
FIG. 6 is a right elevation view thereof;
FIG. 7 is a top plan view thereof; and,
FIG. 8 is a bottom plan view thereof.
The broken lines shown in the drawings show unclaimed
subject matter only and form no part of the claimed design.
The claimed ornamental design is shown embodied on an
assembly that may be used, for example, as a safety harness.
In an illustrative example, the claimed ornamental design
may operate as a fall protection device.

1 Claim, 6 Drawing Sheets

- (56) **References Cited**
U.S. PATENT DOCUMENTS
D454,986 S * 3/2002 Casebolt et al. D29/101.1
6,378,465 B1 * 4/2002 Austin 119/770



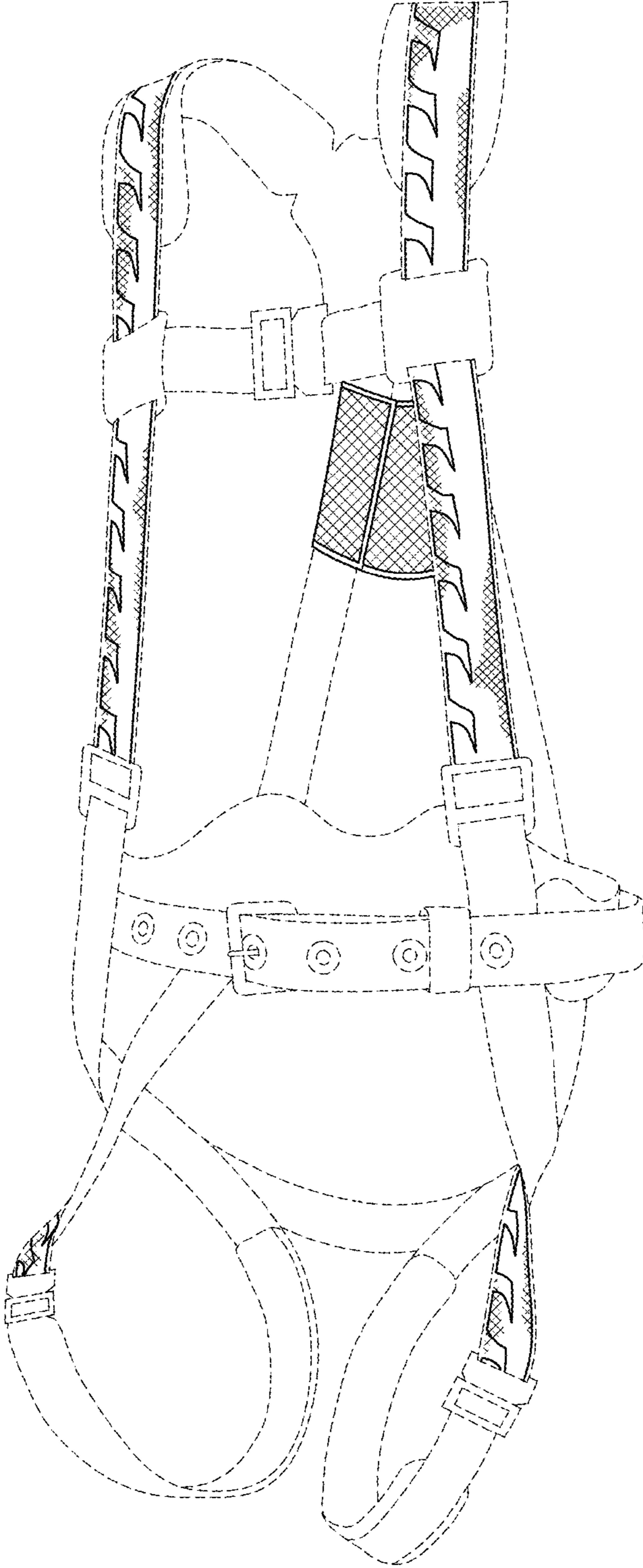


FIG. 1

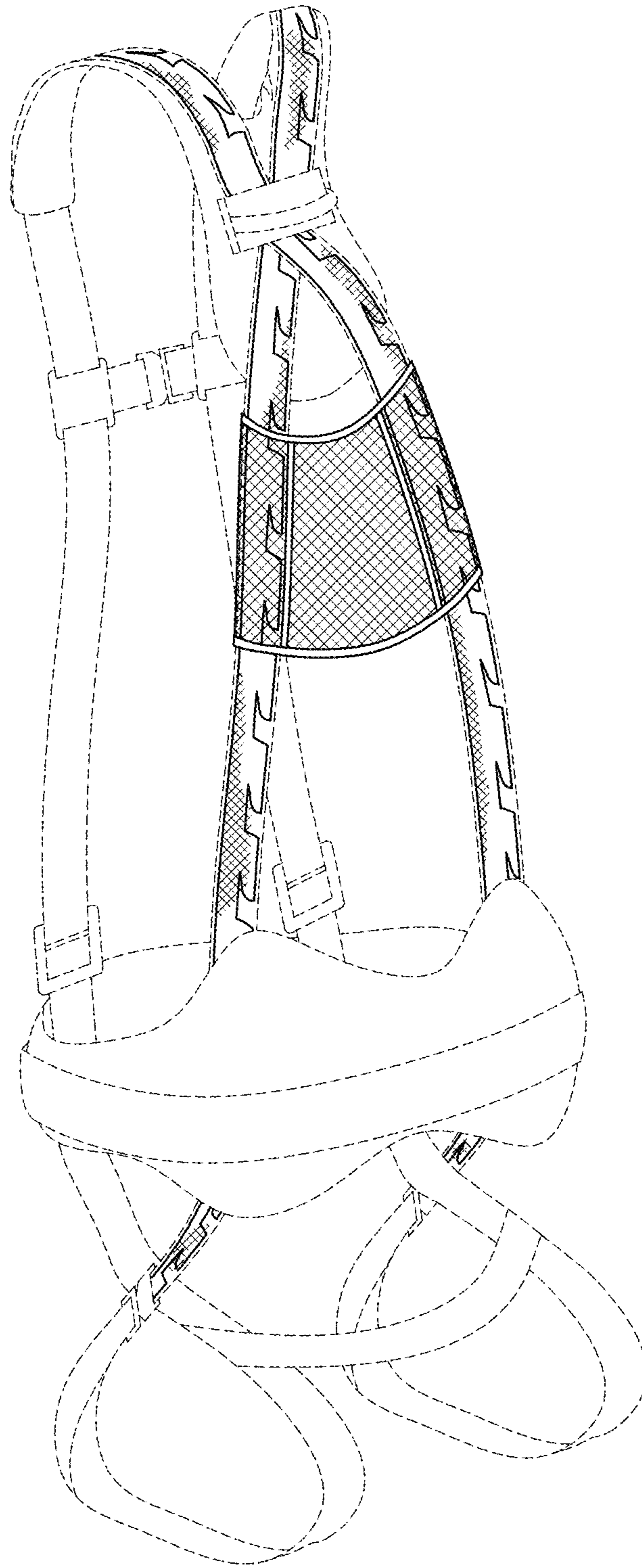


FIG. 2

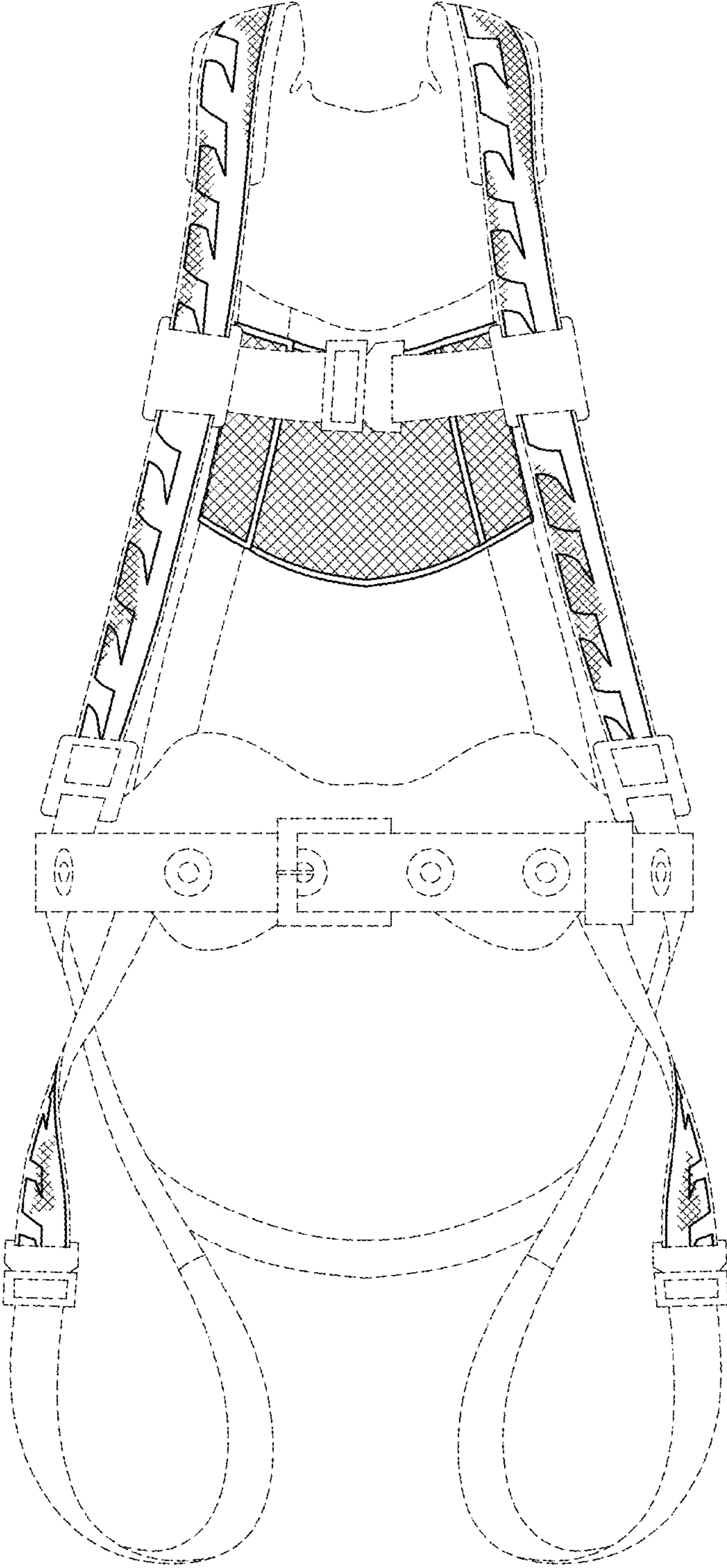


FIG. 3

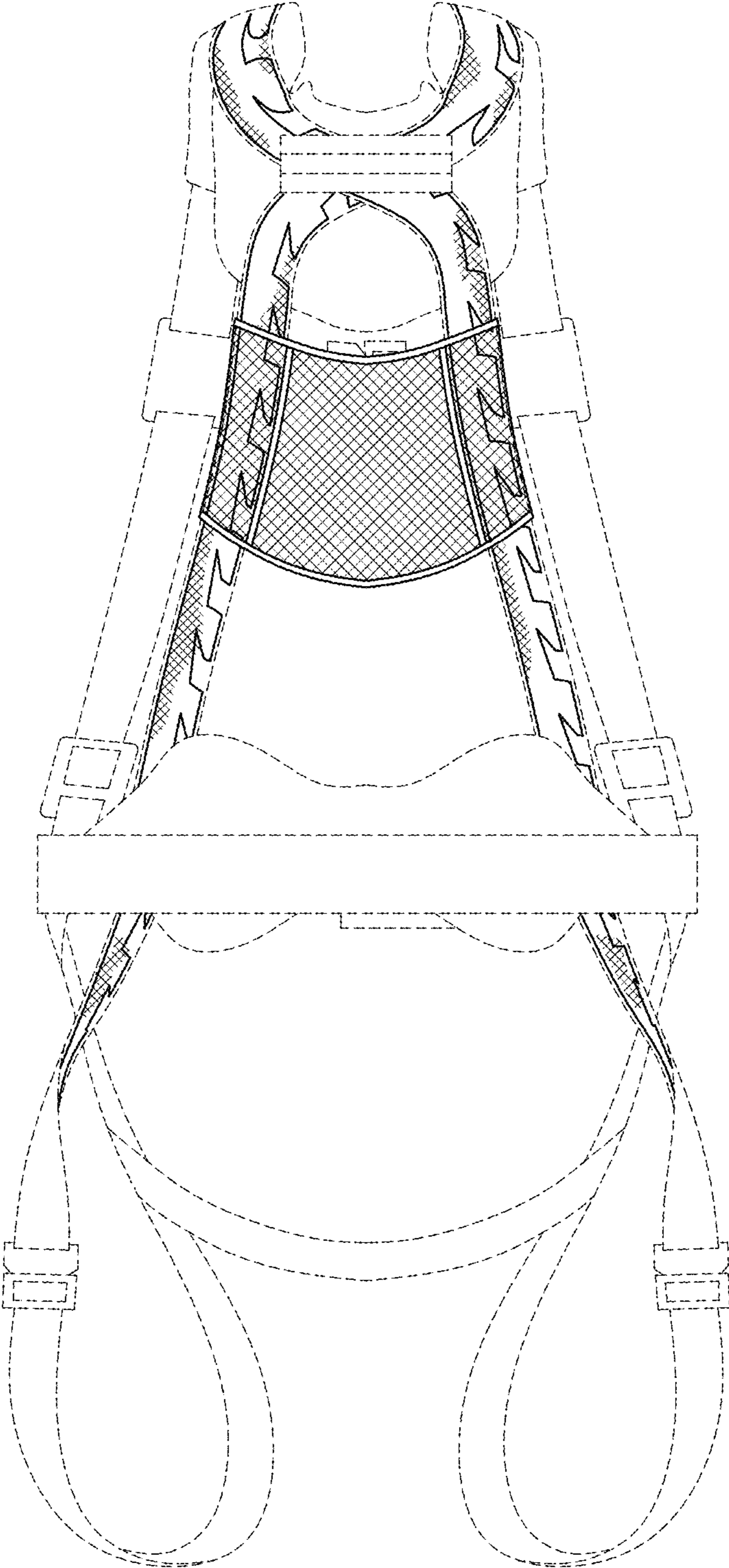


FIG.4

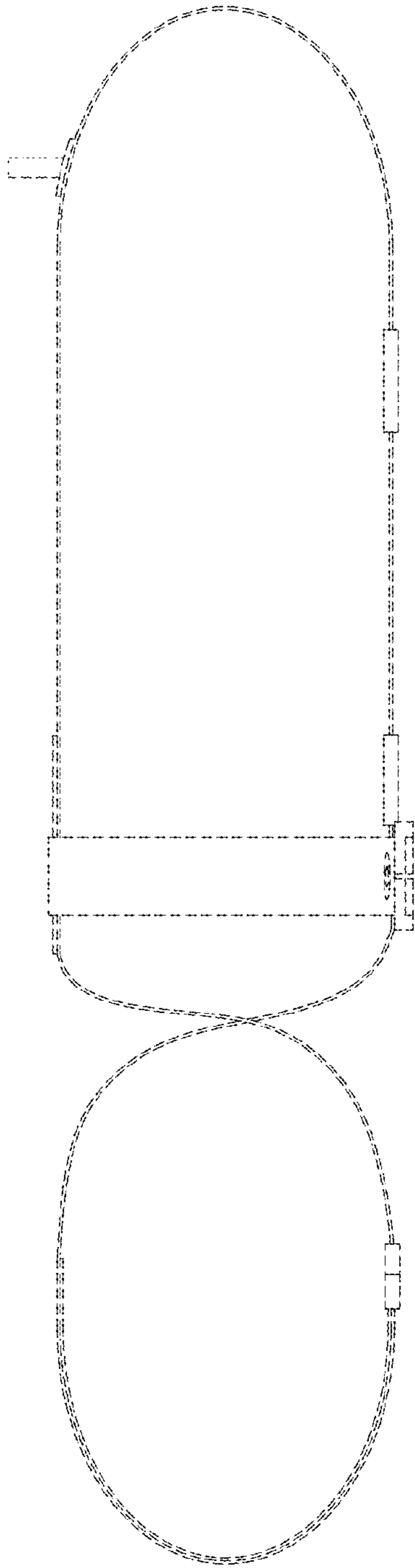


FIG. 5

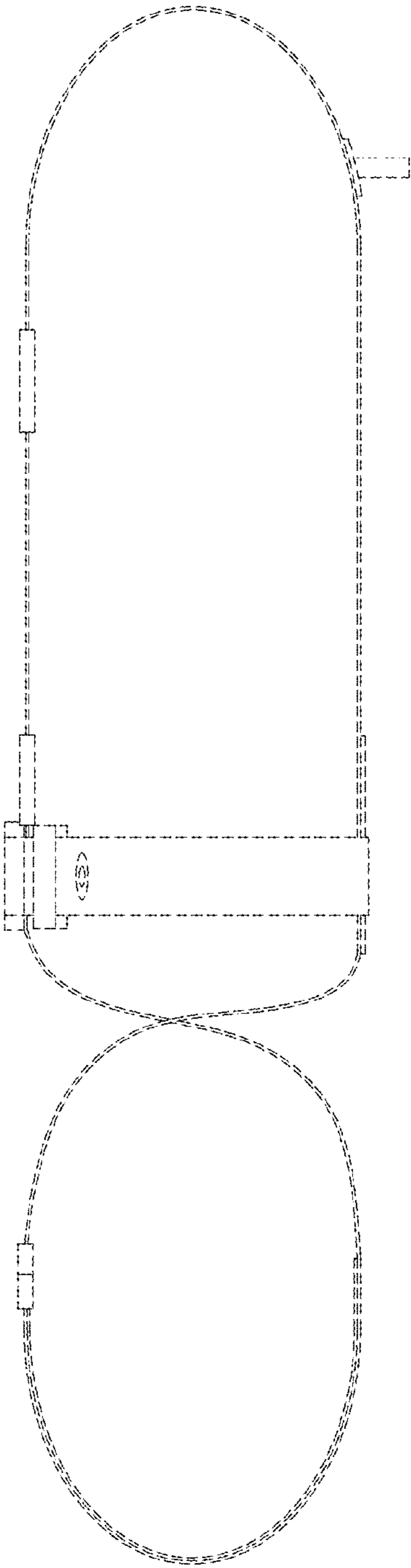


FIG. 6

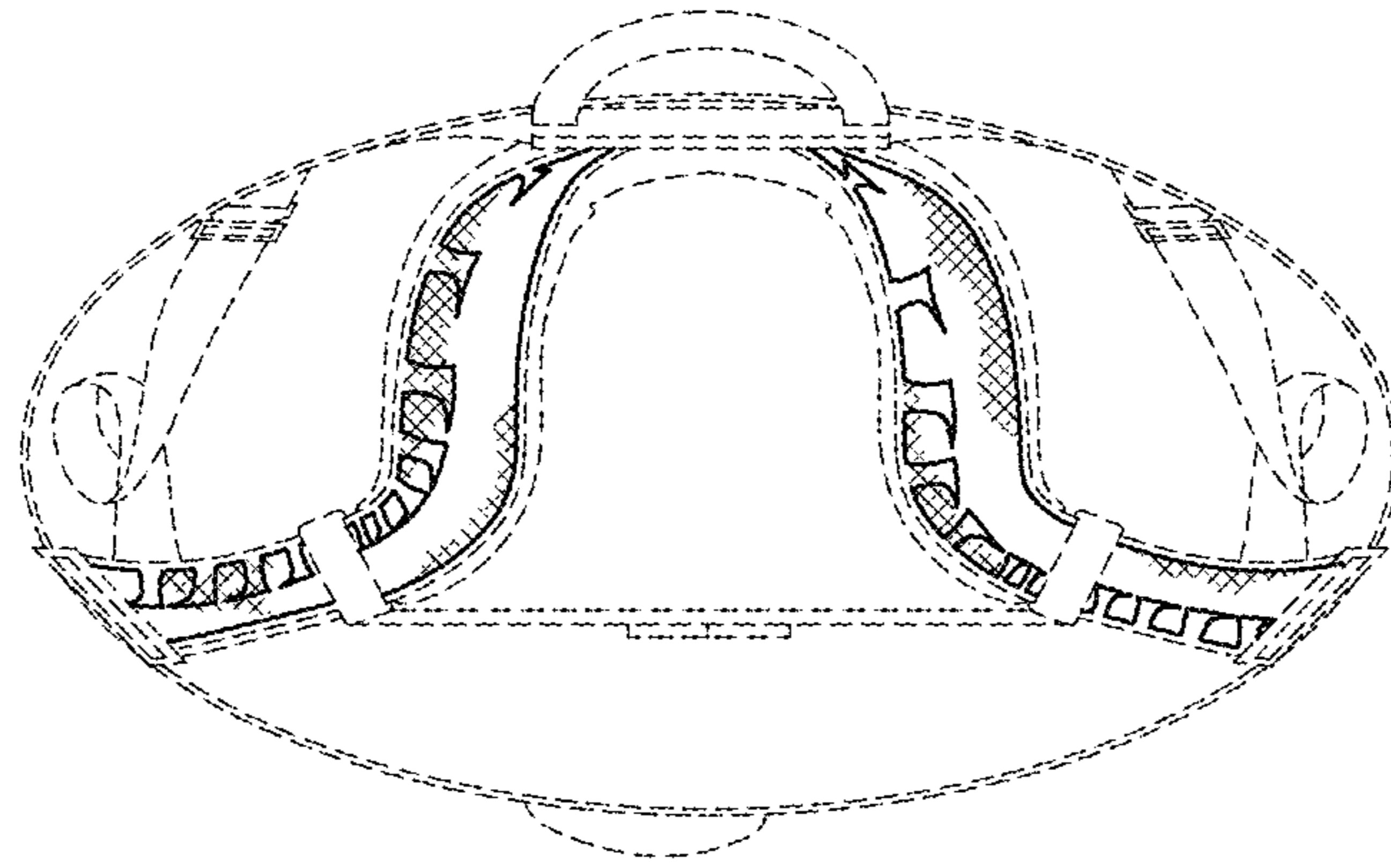


FIG. 7

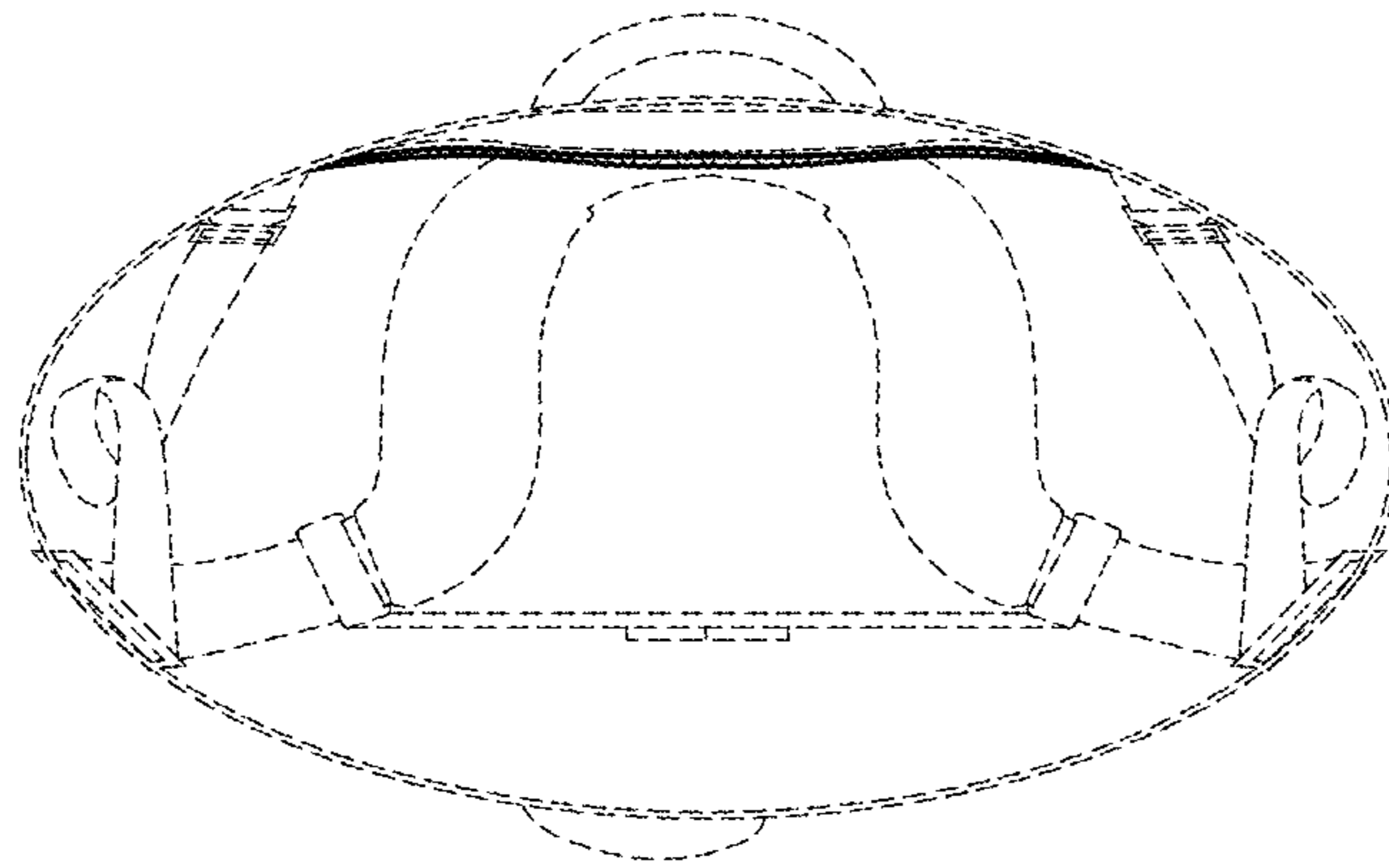


FIG. 8