



US00D725824S

(12) **United States Design Patent**
Sims et al.

(10) **Patent No.:** **US D725,824 S**
(45) **Date of Patent:** **** Mar. 31, 2015**

- (54) **HANDLE FOR A RAZOR**
- (71) Applicant: **The Gillette Company**, Boston, MA (US)
- (72) Inventors: **Daniel Jerome Sims**, Brookline, MA (US); **Junichi Yoshitomi**, Chiba (JP)
- (73) Assignee: **The Gillette Company**, Boston, MA (US)

D563,046 S	2/2008	Provost et al.	
D567,442 S *	4/2008	McMullan	D28/46
D641,104 S	7/2011	Watson et al.	
D652,991 S *	1/2012	Cavazos Jimenez et al.	D28/48
D655,042 S	2/2012	Watson et al.	
D656,676 S *	3/2012	Cavazos Jimenez et al.	D28/48
D656,677 S *	3/2012	Cavazos Jimenez et al.	D28/48
D674,138 S	1/2013	Watson et al.	
D700,996 S *	3/2014	Lee et al.	D28/48
2008/0184563 A1 *	8/2008	Hamadeh	30/41
2013/0247381 A1 *	9/2013	Blaustein et al.	30/34.1

* cited by examiner

(**) Term: **14 Years**

Primary Examiner — Jennifer Rivard

(21) Appl. No.: **29/504,530**

(74) *Attorney, Agent, or Firm* — Kevin C. Johnson; Steven W. Miller

(22) Filed: **Oct. 7, 2014**

(51) **LOC (10) Cl.** **28-03**

(57) **CLAIM**

The ornamental design for a handle for a razor, as shown and described.

(52) **U.S. Cl.**

USPC **D28/48**

DESCRIPTION

(58) **Field of Classification Search**

CPC B26B 21/00–21/12; B26B 21/14; B26B 21/16; B26B 21/165; B26B 21/18; B26B 21/185; B26B 21/20–21/227; B26B 21/24; B26B 21/28; B26B 21/30; B26B 21/32; B26B 21/40; B26B 21/4062; B26B 21/4068; B26B 21/4075; B26B 21/52–21/528
USPC D28/44–48, 49, 51
See application file for complete search history.

FIG. 1 is a perspective view of a handle for a razor of the present invention;
FIG. 2 is a front view thereof;
FIG. 3 is a rear view thereof;
FIG. 4 is a right side view thereof;
FIG. 5 is a left side view thereof;
FIG. 6 is a top view thereof; and
FIG. 7 is a bottom view thereof.

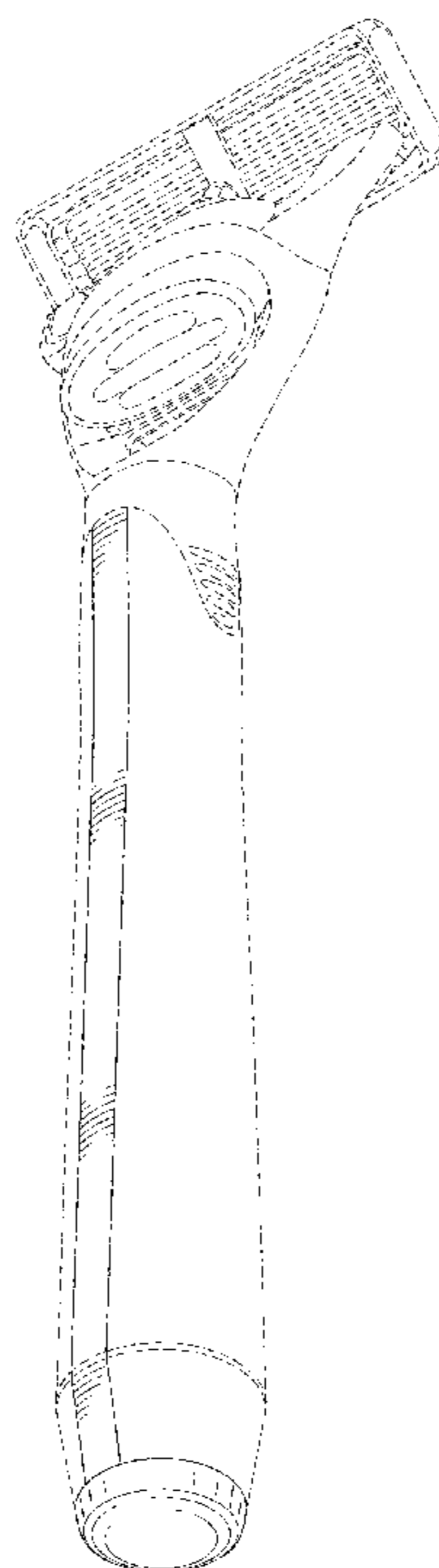
The broken lines connecting the two solid contour lines along the upper front portion of the handle represent the bounds of the claim. The remaining broken lines illustrate the environment of the handle for a razor. None of the broken lines forms part of the claimed design.

(56) **References Cited**

U.S. PATENT DOCUMENTS

4,819,330 A *	4/1989	Fenn et al.	30/45
D306,915 S *	3/1990	Luzenberg	D28/46
D563,045 S	2/2008	Provost et al.	

1 Claim, 4 Drawing Sheets



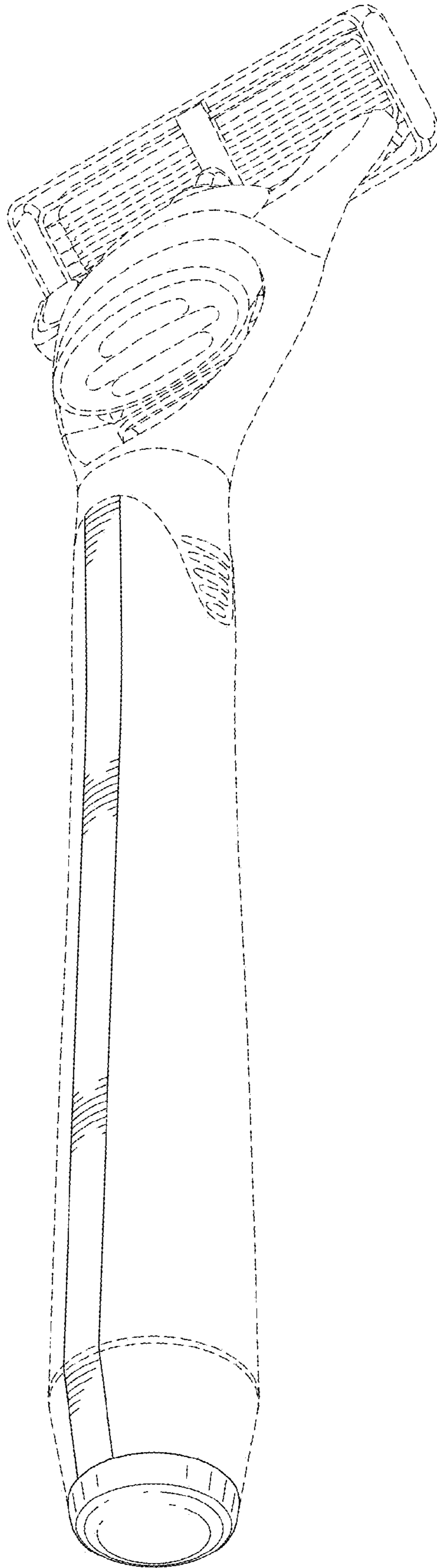


FIG. 1

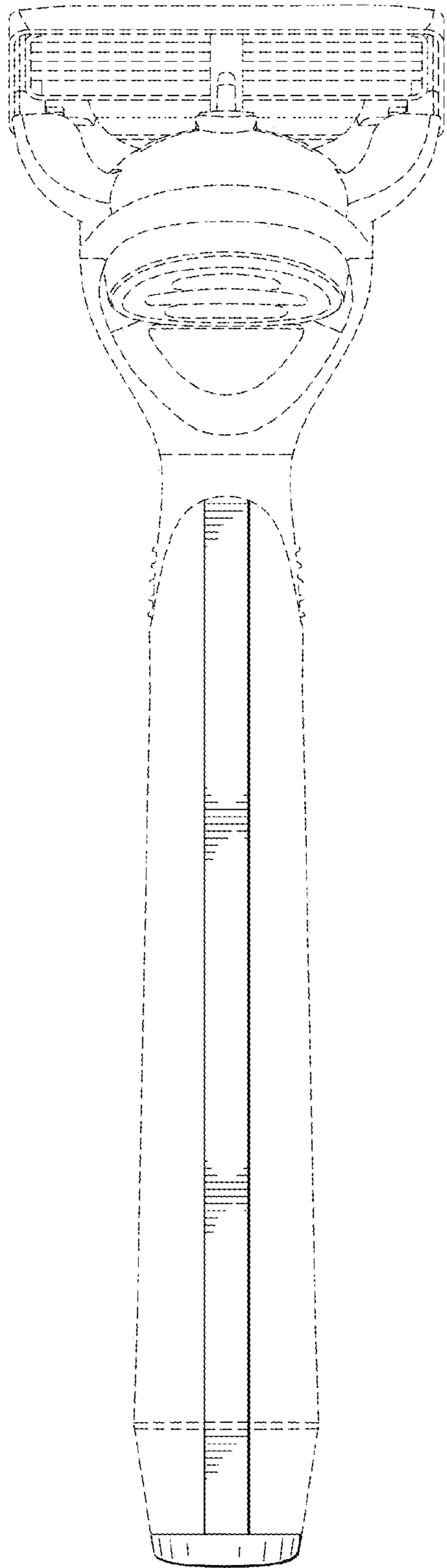


FIG. 2

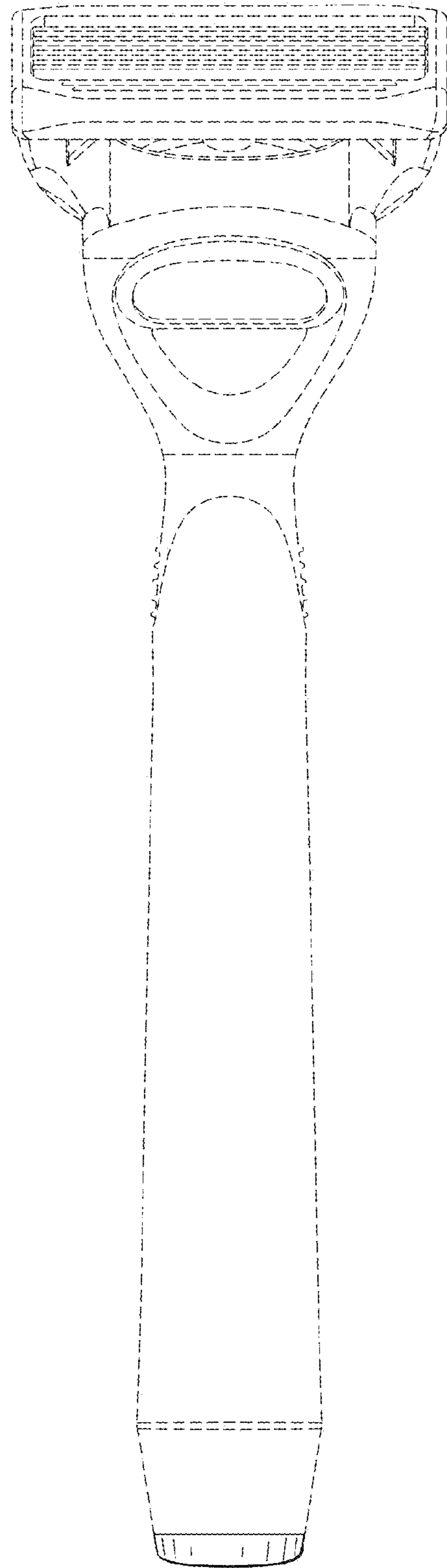


FIG. 3

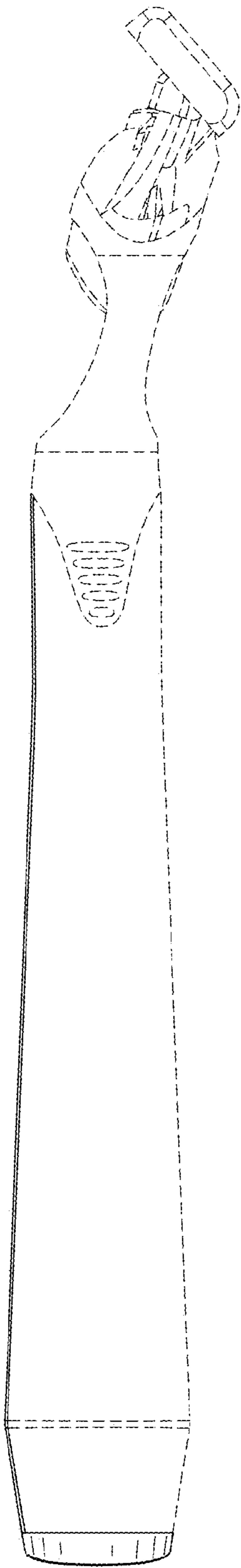


FIG. 4

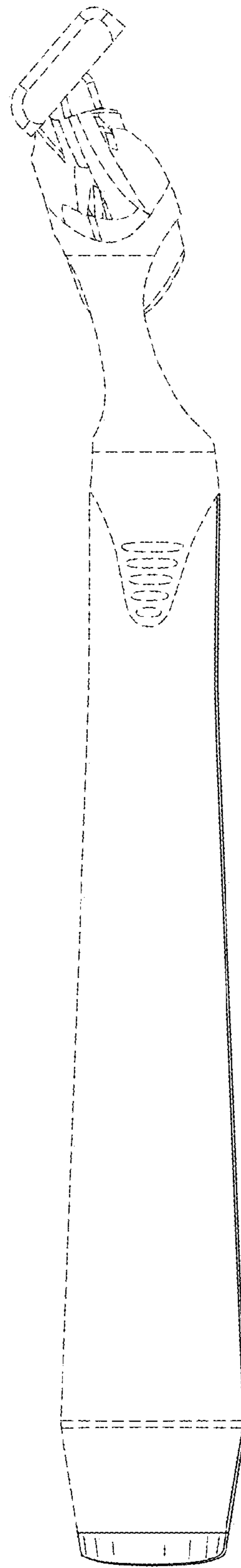


FIG. 5

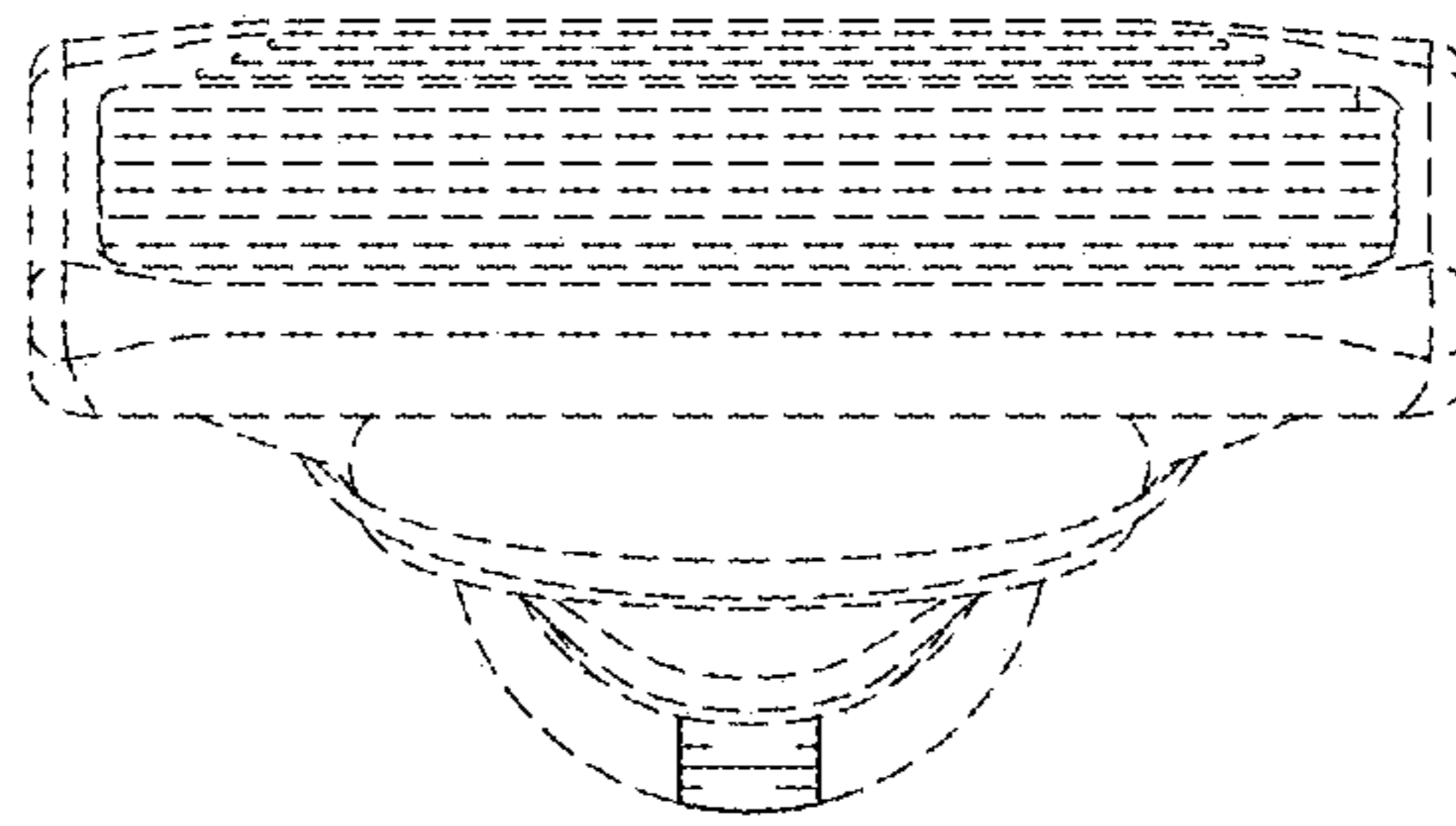


FIG. 6

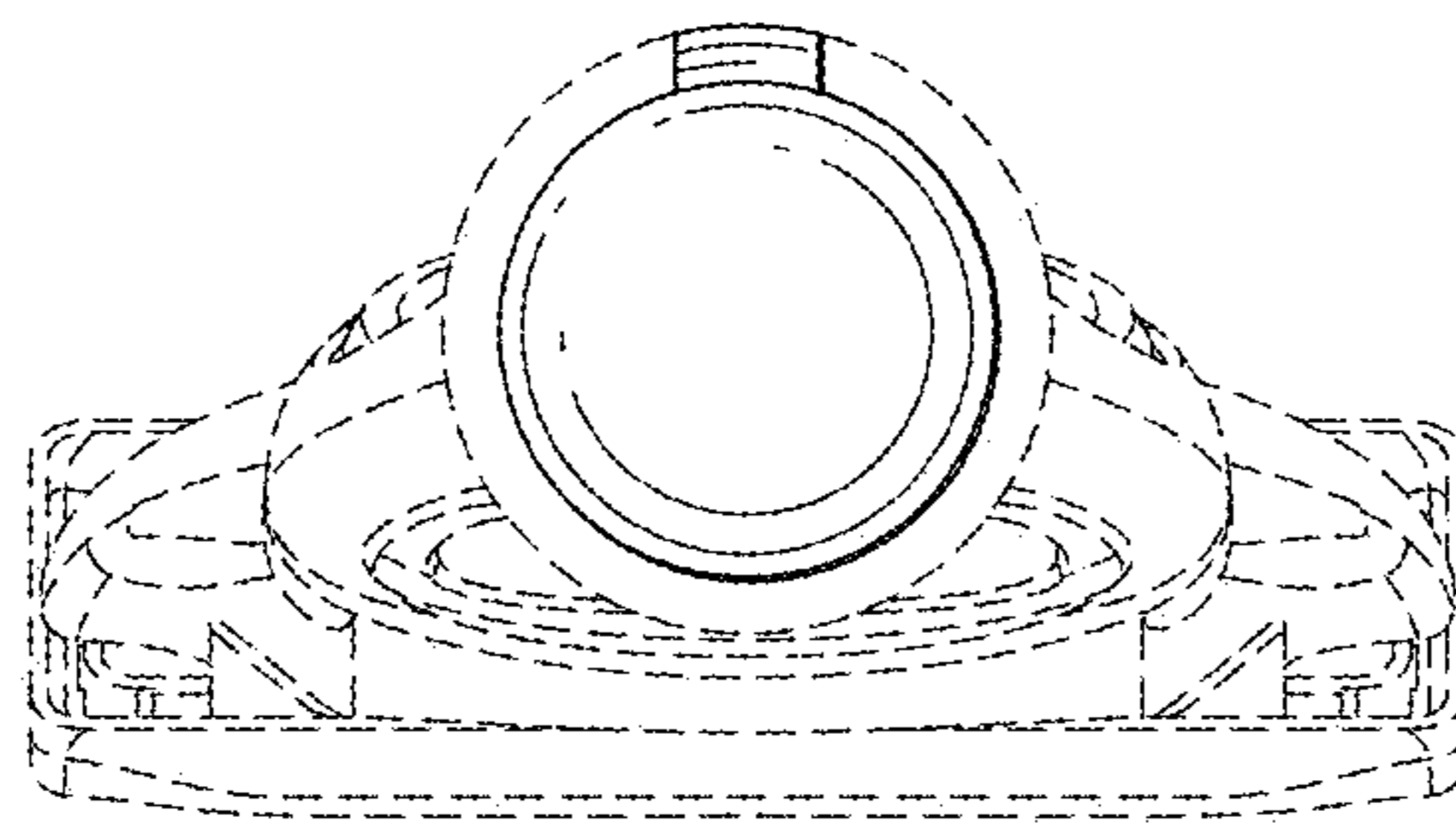


FIG. 7