



US00D725823S

(12) **United States Design Patent**
Scatterday et al.

(10) **Patent No.:** **US D725,823 S**
(45) **Date of Patent:** **** Mar. 31, 2015**

(54) **ELECTRONIC CIGARETTE CONTAINER**

(71) Applicant: **NJOY, Inc.**, Scottsdale, AZ (US)

(72) Inventors: **Mark Scatterday**, Scottsdale, AZ (US);
Craig Weiss, Scottsdale, AZ (US)

(73) Assignee: **NJOY, Inc.**, Scottsdale, AZ (US)

(**) Term: **14 Years**

(21) Appl. No.: **29/440,716**

(22) Filed: **Dec. 26, 2012**

Related U.S. Application Data

(63) Continuation-in-part of application No. 13/495,186,
filed on Jun. 13, 2012.

(51) **LOC (10) Cl.** **27-06**

(52) **U.S. Cl.**
USPC **D27/189**

(58) **Field of Classification Search**
CPC B65D 85/1045; B65D 85/1036; B65D
5/6691; B65D 85/10; A24F 13/14; A24F
15/12

USPC D13/107-110, 118-119, 184, 199;
D14/217, 251, 253, 432, 434;
320/107-115; D27/172, 183, 184,
D27/186-191, 193; 206/236, 242, 259,
206/261-270; D9/432, 745, 770

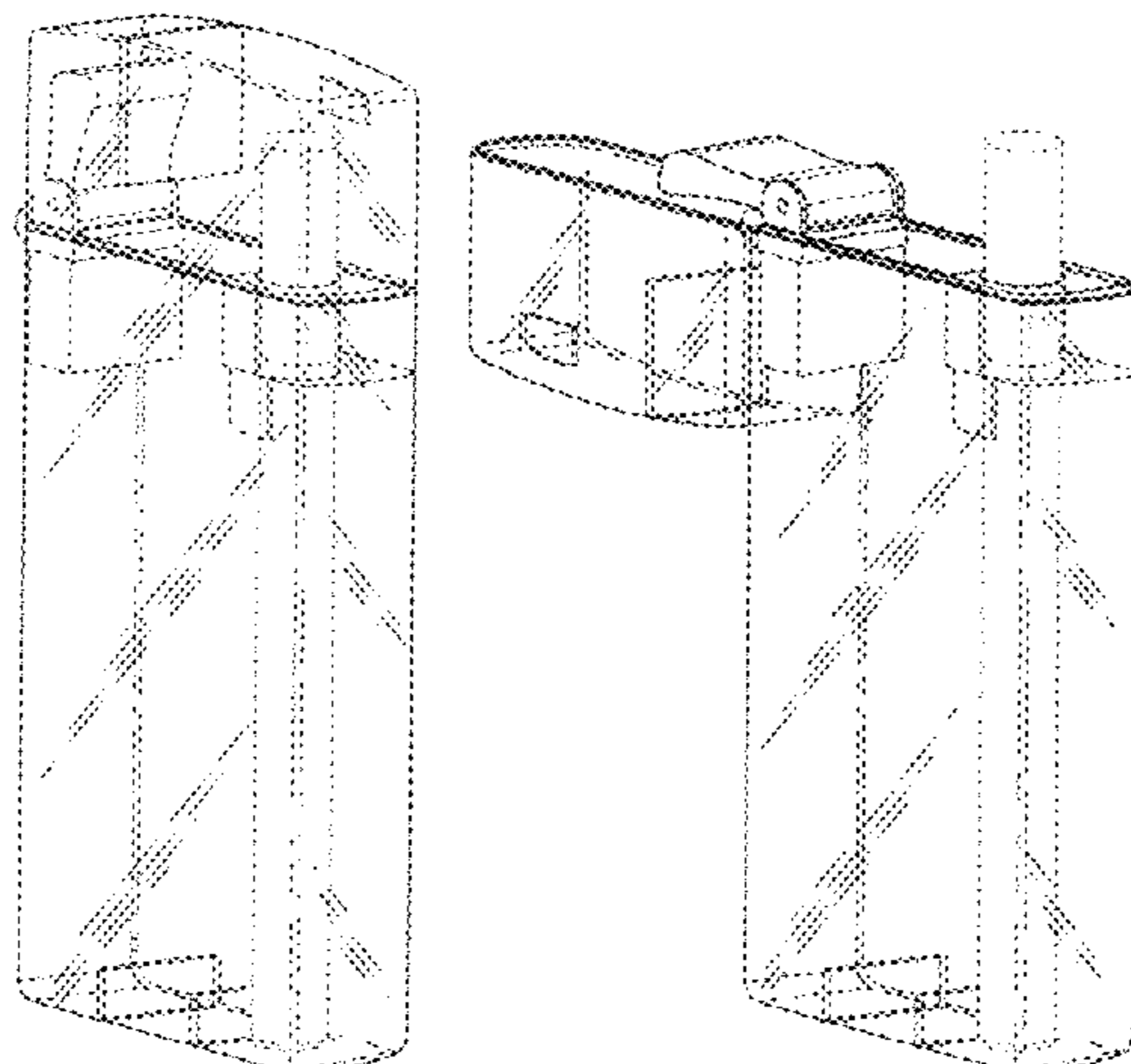
See application file for complete search history.

(56) **References Cited**

U.S. PATENT DOCUMENTS

374,584 A 12/1887 Cook
576,653 A 2/1897 Bowlby
595,070 A 12/1897 Oldenbusch
799,844 A 9/1905 Fuller
969,076 A 8/1910 Pender
1,067,531 A 7/1913 MacGregor
1,163,183 A 12/1915 Stoll
1,299,162 A 4/1919 Fisher
1,505,748 A 3/1924 Tamis
1,552,877 A 9/1925 Phillipps et al.

1,632,335 A 6/1927 Hiering
1,845,340 A 11/1928 Woller
1,706,244 A 3/1929 Meyerson
1,998,683 A 2/1934 Montgomery
1,972,118 A 9/1934 McDill
2,031,363 A 2/1936 Erikson
2,039,559 A 5/1936 Segal
2,327,120 A 11/1940 McCoon
2,231,909 A 2/1941 Hempel
2,460,427 A 2/1949 Musselman et al.
2,483,304 A 9/1949 Vogel
2,502,561 A 4/1950 Ebert
2,765,949 A 10/1956 Hillman
2,897,958 A 8/1959 Tarleton et al.
3,146,937 A 9/1964 Vesak
D207,179 S * 3/1967 Kanamaru D27/148
3,420,360 A 1/1969 Young
3,567,014 A 3/1971 Feigelman
3,861,523 A 1/1975 Fountain et al.
3,941,300 A 3/1976 Troth
D244,784 S * 6/1977 O'Brien D27/159
4,207,976 A 6/1980 Herman
4,519,319 A 5/1985 Howlett
4,771,796 A 9/1988 Myer
4,798,310 A 1/1989 Kasai et al.
4,813,536 A 3/1989 Willis
4,848,563 A 7/1989 Robbins
5,005,759 A 4/1991 Bouche
5,123,530 A 6/1992 Lee
5,269,327 A 12/1993 Counts et al.
5,605,226 A 2/1997 Hernlein
D379,248 S * 5/1997 Khemarangsana D27/141
5,641,064 A 6/1997 Goserud
5,746,587 A 5/1998 Racine et al.
5,810,164 A 9/1998 Rennecamp
5,881,884 A 3/1999 Podosek
5,938,018 A 8/1999 Keaveney et al.
5,967,310 A 10/1999 Hill
5,975,415 A 11/1999 Zehnal
5,979,460 A 11/1999 Matsumura
D441,494 S * 5/2001 Chen D27/144
6,269,966 B1 8/2001 Pallo et al.
6,386,371 B1 5/2002 Parsons
6,431,363 B1 8/2002 Hacker
6,446,793 B1 9/2002 Layshock
6,510,982 B2 1/2003 White et al.
6,557,708 B2 5/2003 Polacco
6,622,867 B2 9/2003 Menceles
6,672,762 B1 1/2004 Faircloth
6,726,006 B1 4/2004 Funderburk et al.
D498,877 S * 11/2004 Sher D27/156
7,000,775 B2 2/2006 Gelardi
7,374,048 B2 5/2008 Mazurek



7,546,703	B2	6/2009	Johnske et al.	
7,621,403	B2	11/2009	Althoff et al.	
7,644,823	B2	1/2010	Gelardi et al.	
D625,466	S *	10/2010	Martin	D27/159
7,815,332	B1	10/2010	Smith	
7,886,507	B2	2/2011	McGuinness, Jr.	
7,988,034	B2	8/2011	Pezzoli	
8,141,701	B2	3/2012	Hodges	
8,443,534	B2	5/2013	Goodfellow et al.	
D683,898	S *	6/2013	Liu	D27/189
8,464,867	B2	6/2013	Holloway et al.	
D690,461	S *	9/2013	Chen	D27/187
8,539,959	B1	9/2013	Scatterday	
8,596,460	B2	12/2013	Scatterday	
8,794,434	B2 *	8/2014	Scatterday et al.	206/266
2001/0032795	A1	10/2001	Weinstein et al.	
2001/0052480	A1	12/2001	Kawaguchi et al.	
2002/0043554	A1	4/2002	White et al.	
2002/0175164	A1	11/2002	Dees et al.	
2003/0089377	A1	5/2003	Hajaligol et al.	
2004/0149624	A1	8/2004	Wischusen, III et al.	
2005/0061759	A1	3/2005	Doucette	
2005/0118545	A1	6/2005	Wong	
2005/0145533	A1	7/2005	Seligson	
2005/0172976	A1	8/2005	Newman et al.	
2006/0054676	A1	3/2006	Wischusen, III	
2006/0150991	A1	7/2006	Lee	
2006/0254948	A1	11/2006	Herbert et al.	
2006/0255105	A1	11/2006	Sweet	
2007/0098148	A1	5/2007	Sherman	
2007/0235046	A1	10/2007	Gedevanishvili	
2007/0267033	A1	11/2007	Mishra et al.	
2008/0092912	A1	4/2008	Robinson et al.	
2008/0276947	A1	11/2008	Martzel	
2009/0095311	A1	4/2009	Han	
2009/0267252	A1	10/2009	Ikeyama	
2009/0288669	A1	11/2009	Hutchens	
2010/0000672	A1	1/2010	Fogle	
2010/0031968	A1	2/2010	Sheikh et al.	
2010/0186757	A1	7/2010	Crooks et al.	
2010/0200006	A1	8/2010	Robinson et al.	
2010/0242974	A1	9/2010	Pan	
2010/0276333	A1	11/2010	Couture	
2010/0307116	A1	12/2010	Fisher	
2011/0049226	A1	3/2011	Moreau et al.	
2011/0155153	A1	6/2011	Thorens et al.	
2011/0162667	A1	7/2011	Burke et al.	
2011/0168194	A1	7/2011	Hon	
2011/0180433	A1	7/2011	Rennecamp	
2011/0232654	A1	9/2011	Mass	
2011/0265806	A1	11/2011	Alarcon et al.	
2011/0278189	A1	11/2011	Terry et al.	
2011/0315701	A1	12/2011	Everson	
2012/0060853	A1	3/2012	Robinson et al.	
2012/0204889	A1	8/2012	Xiu	
2012/0227753	A1	9/2012	Newton	
2012/0261286	A1	10/2012	Holloway et al.	
2012/0267383	A1	10/2012	Van Rooyen	
2013/0140200	A1	6/2013	Scatterday	
2013/0228191	A1	9/2013	Newton	
2013/0247924	A1	9/2013	Scatterday et al.	
2013/0248385	A1 *	9/2013	Scatterday et al.	206/86
2013/0276802	A1	10/2013	Scatterday	
2013/0284190	A1	10/2013	Scatterday et al.	
2013/0284191	A1	10/2013	Scatterday et al.	
2013/0313139	A1 *	11/2013	Scatterday et al.	206/252
2014/0196731	A1	7/2014	Scatterday	

FOREIGN PATENT DOCUMENTS

EP	2325093	A1	5/2011
JP	2001-165437	A	6/2001
WO	WO-2011/033396	A1	3/2011
WO	WO-2011/117580	A2	9/2011
WO	WO-2012/021972	A1	2/2012
WO	WO 2013/141906		9/2013
WO	WO 2013/141907		9/2013
WO	WO 2013/141994		9/2013
WO	WO 2013/141998		9/2013

WO	WO 2013/142671	9/2013
WO	WO 2013/142678	9/2013
WO	WO 2014/113592	7/2014

* cited by examiner

Primary Examiner — Barbara Fox

Assistant Examiner — Chelsea Sealey

(74) Attorney, Agent, or Firm — Bookoff McAndrews, PLLC

(57) CLAIM

The ornamental design for an electronic cigarette container, as shown and described.

DESCRIPTION

FIG. 1 is a perspective view of the electronic cigarette case showing the new design, shown with the lid in a closed position; the electronic cigarette is shown in broken lines with the case and forms no part of the claimed design;

FIG. 2 is a front view of the electronic cigarette case shown with the lid in a closed position; the electronic cigarette is shown in broken lines within the case and forms no part of the claimed design;

FIG. 3 is a rear view of the electronic cigarette case shown with the lid in a closed position; the electronic cigarette is shown in broken lines within the case and forms no part of the claimed design;

FIG. 4 is a left side view of the electronic cigarette case shown with the lid in a closed position; the electronic cigarette is shown in broken lines within the case and forms no part of the claimed design;

FIG. 5 is a right side view of the electronic cigarette case shown with the lid in a closed position; the electronic cigarette is shown in broken lines within the case and forms no part of the claimed design;

FIG. 6 is a top view of the electronic cigarette case shown with the lid in a closed position; the electronic cigarette is shown in broken lines within the case and forms no part of the claimed design; and

FIG. 7 is a bottom view of the electronic cigarette case shown with the lid in a closed position; the electronic cigarette is shown in broken lines within the case and forms no part of the claimed design;

FIG. 8 is a perspective view the electronic cigarette case of FIG. 1, shown with the lid in a partially open position; the electronic cigarette is shown in broken lines within the case and forms no part of the claimed design;

FIG. 9 is a front view of the electronic cigarette case shown with the lid in a partially open position; the electronic cigarette is shown in broken lines within the case and forms no part of the claimed design;

FIG. 10 is a rear view of the electronic cigarette case shown with the lid in a partially open position; the electronic cigarette is shown in broken lines within the case and forms no part of the claimed design;

FIG. 11 is a left side view of the electronic cigarette case shown with the lid in a partially open position; the electronic cigarette is shown in broken lines within the case and forms no part of the claimed design;

FIG. 12 is a right side view of the electronic cigarette case shown with the lid in a partially open position; the electronic cigarette is shown in broken lines within the case and forms no part of the claimed design;

FIG. 13 is a top view of the electronic cigarette case shown with the lid in a partially open position; the electronic cigarette is shown in broken lines within the case and forms no part of the claimed design;

FIG. 14 is a bottom view of the electronic cigarette case shown with the lid in a partially open position; the electronic cigarette is shown in broken lines within the case and forms no part of the claimed design;

FIG. 15 is a perspective view of the electronic cigarette case of FIG. 1, shown with the lid in a fully open position; the electronic cigarette is shown in broken lines within the case and forms no part of the claimed design;

FIG. 16 is a front view of the electronic cigarette case shown with the lid in a fully open position; the electronic cigarette is shown in broken lines within the case and forms no part of the claimed design;

FIG. 17 is a rear view of the electronic cigarette case shown with the lid in a fully open position; the electronic cigarette is shown in broken lines within the case and forms no part of the claimed design;

FIG. 18 is a left side view of the electronic cigarette case shown with the lid in a fully open position; the electronic cigarette is shown in broken lines within the case and forms no part of the claimed design;

FIG. 19 is a right side view of the electronic cigarette case shown with the lid in a fully open position; the electronic cigarette is shown in broken lines within the case and forms no part of the claimed design;

FIG. 20 is a top view of the electronic cigarette case shown with the lid in a fully open position; the electronic cigarette is shown in broken lines within the case and forms no part of the claimed design; and,

FIG. 21 is a bottom view of the electronic cigarette case shown with the lid in a fully open position; the electronic cigarette is shown in broken lines within the case and forms no part of the claimed design.

1 Claim, 9 Drawing Sheets

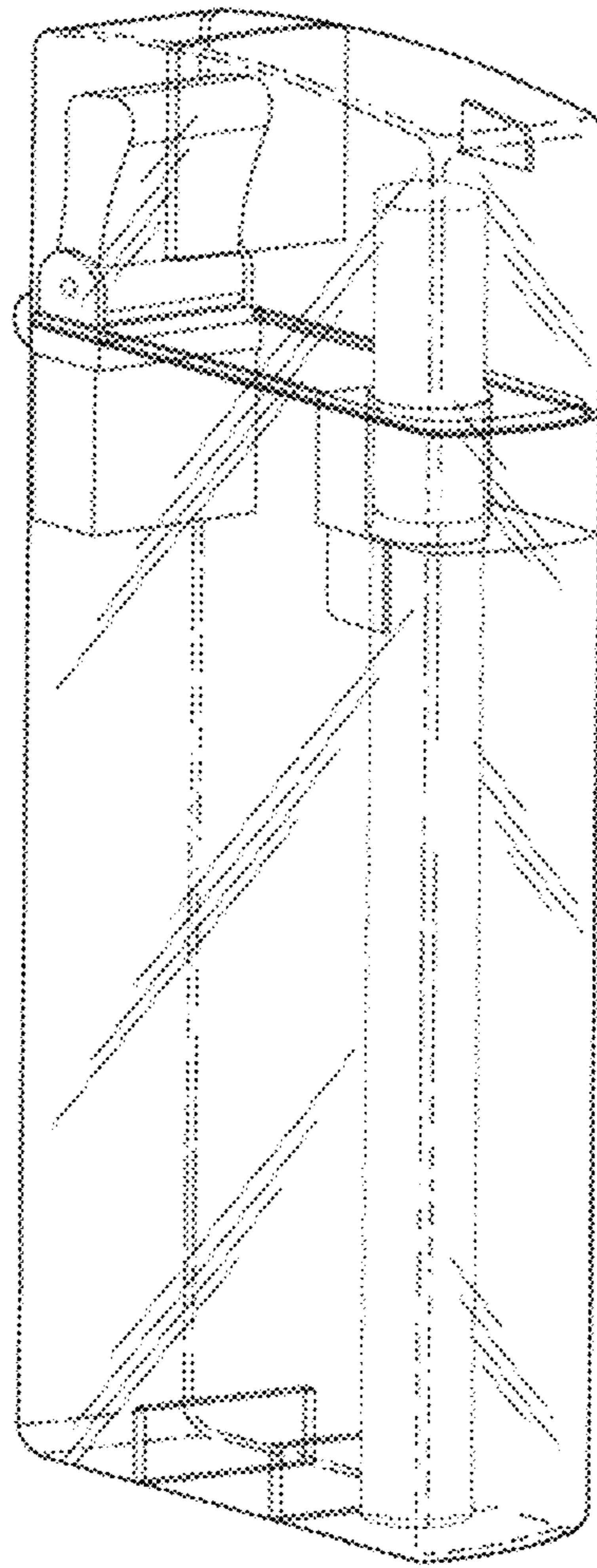


FIG. 1

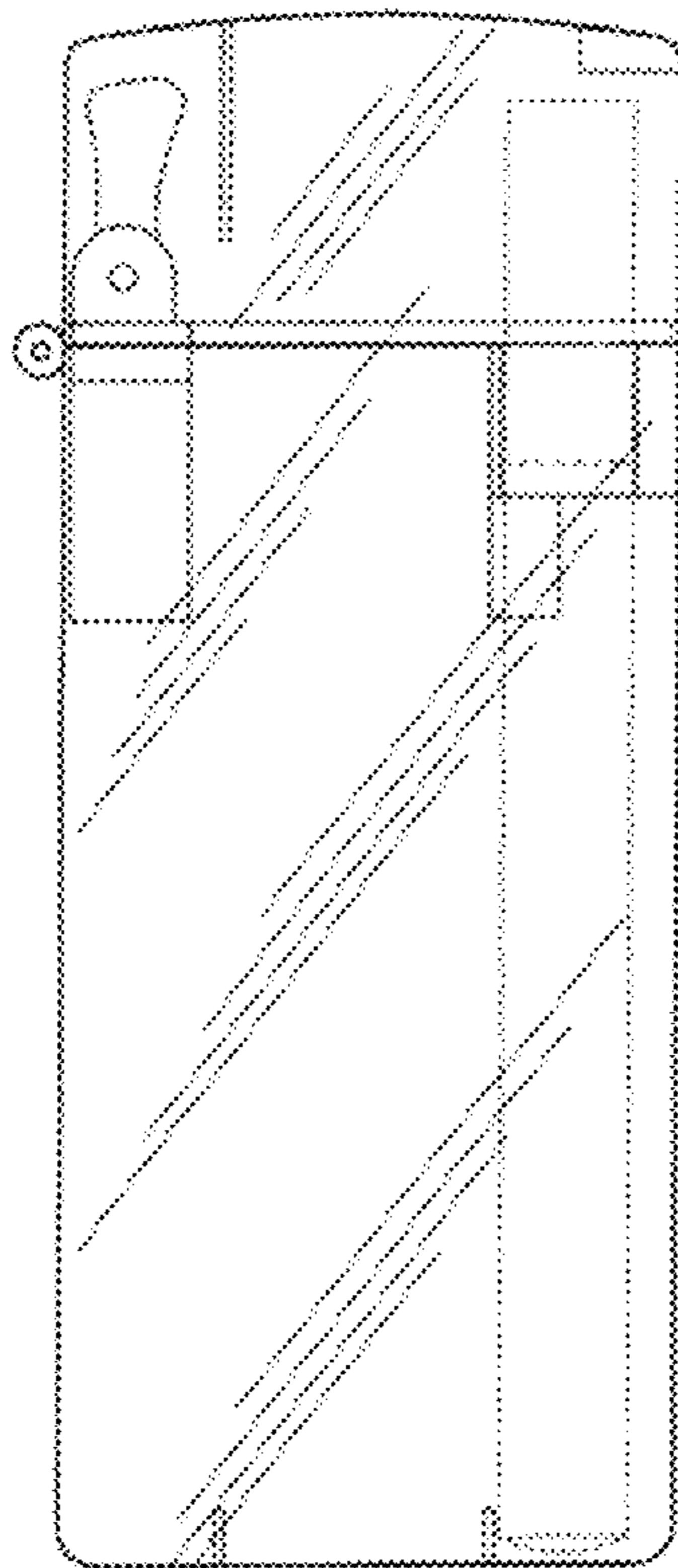


FIG. 2

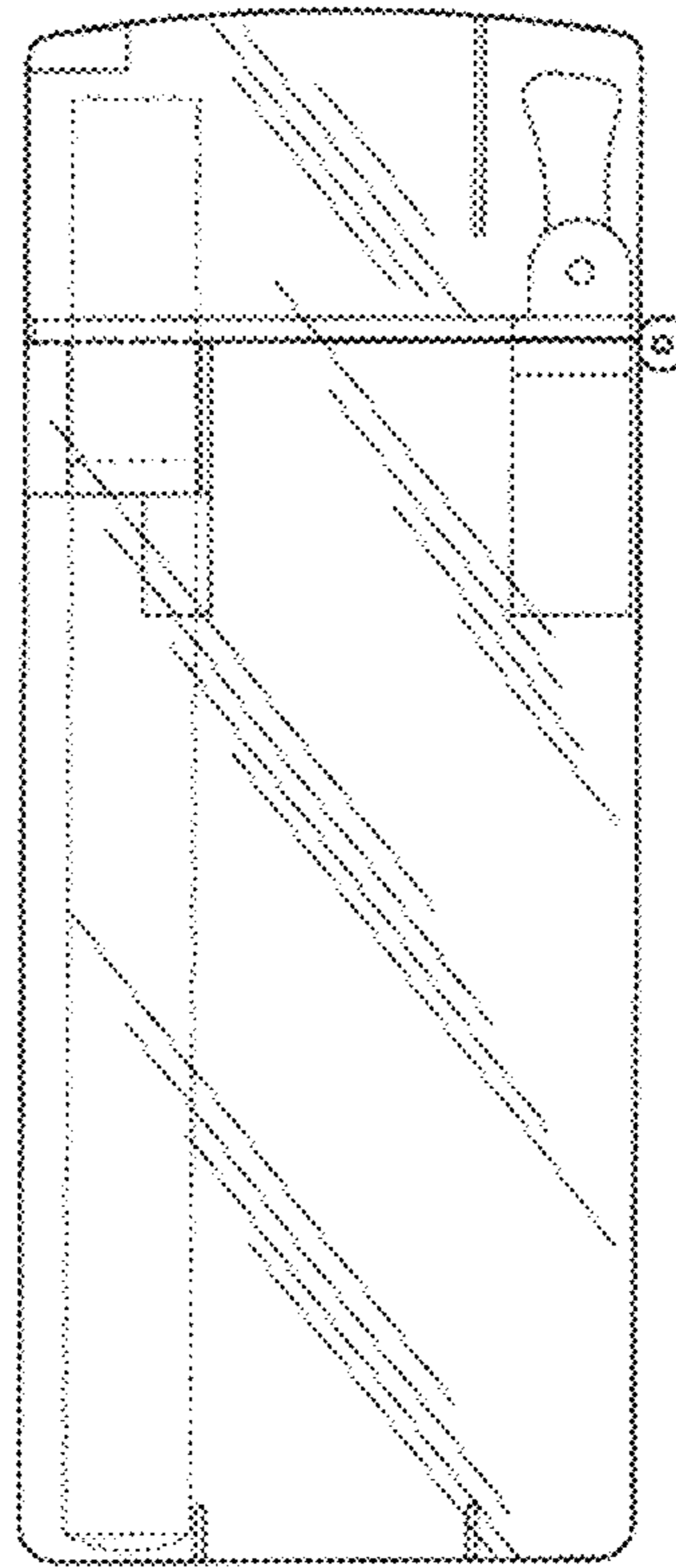


FIG. 3

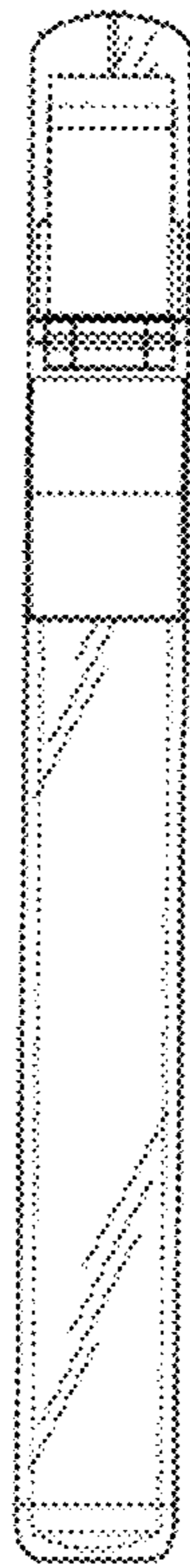


FIG. 4



FIG. 5



FIG. 6



FIG. 7

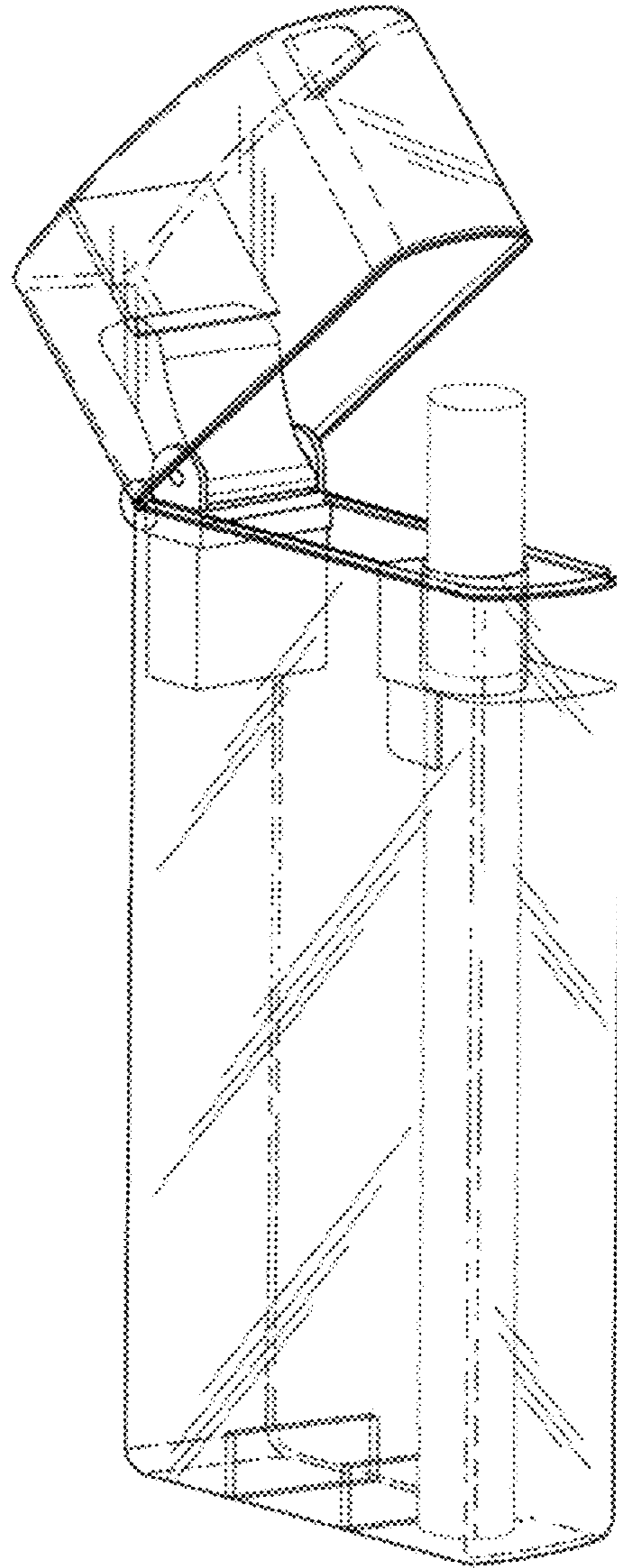


FIG. 8

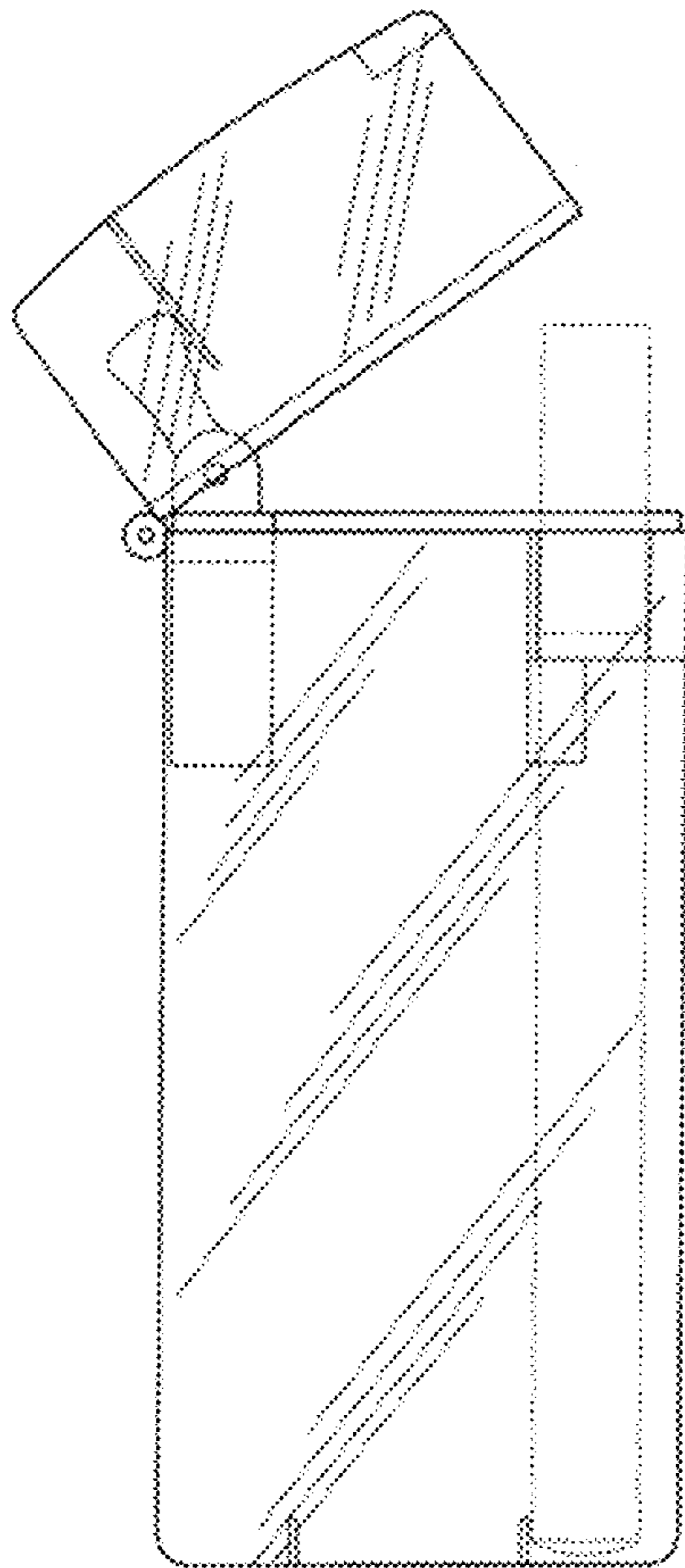


FIG. 9

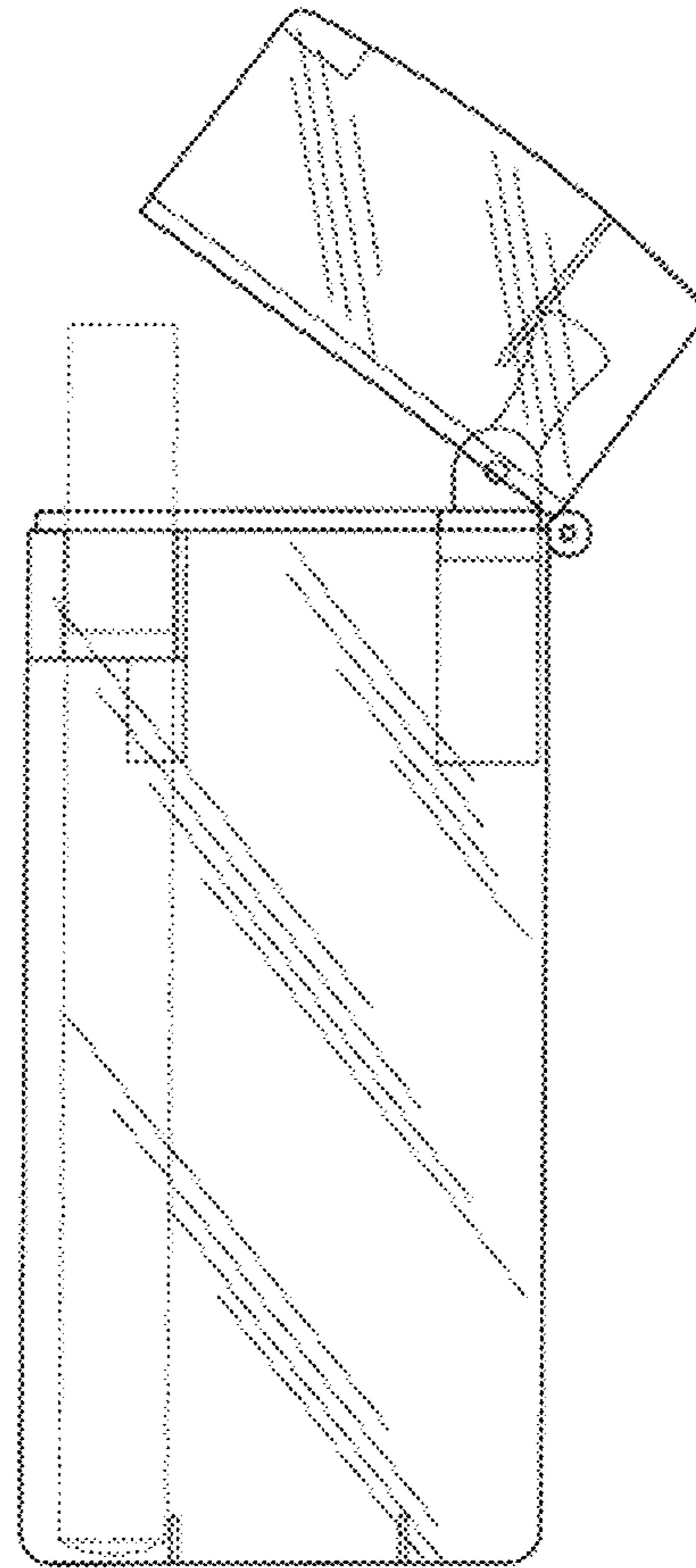


FIG. 10

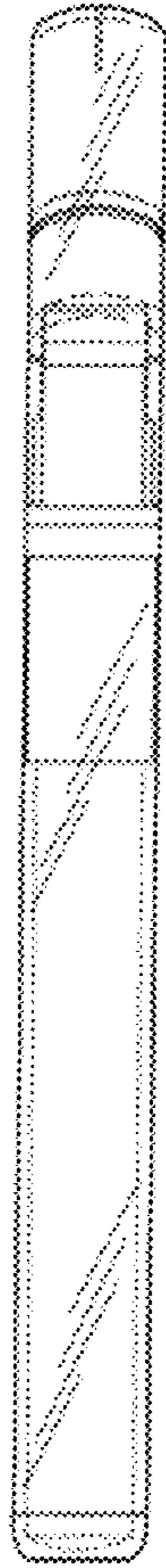


FIG. 11

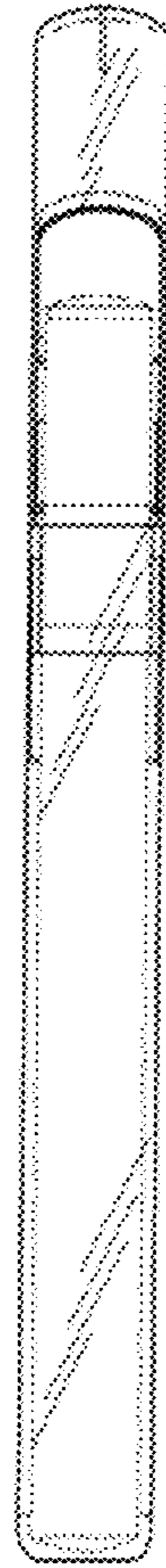


FIG. 12



FIG. 13



FIG. 14

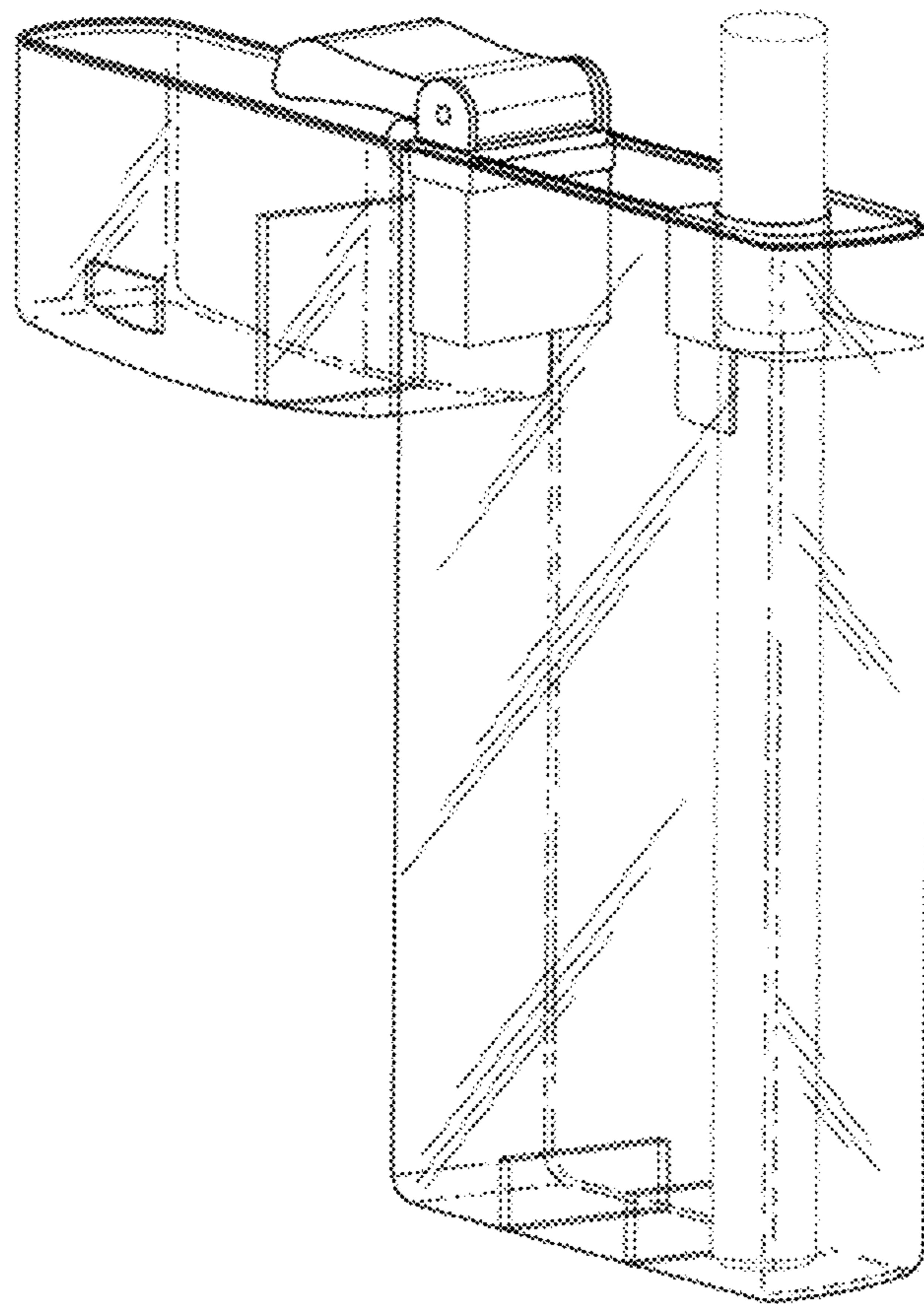


FIG. 15

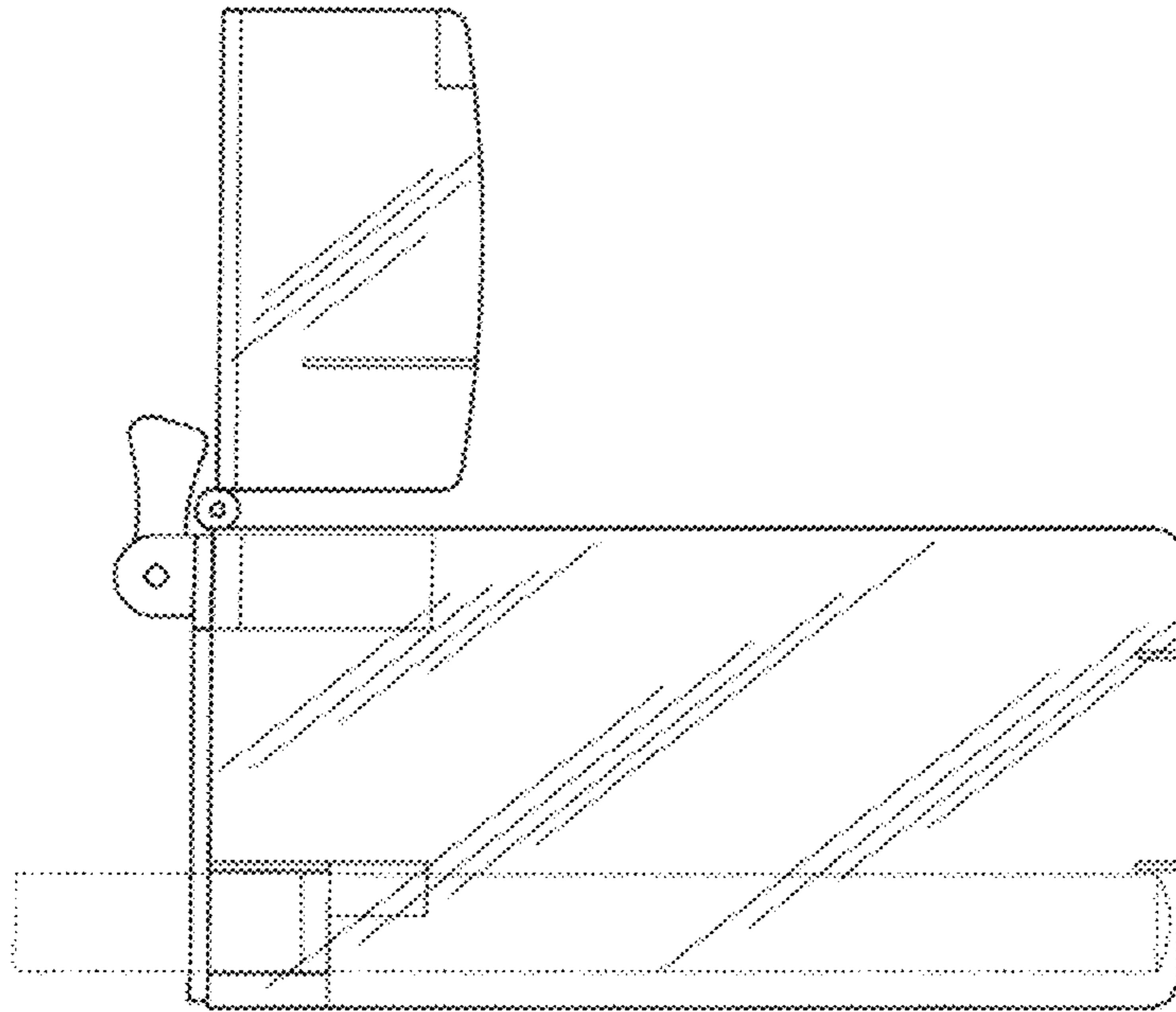


FIG. 17

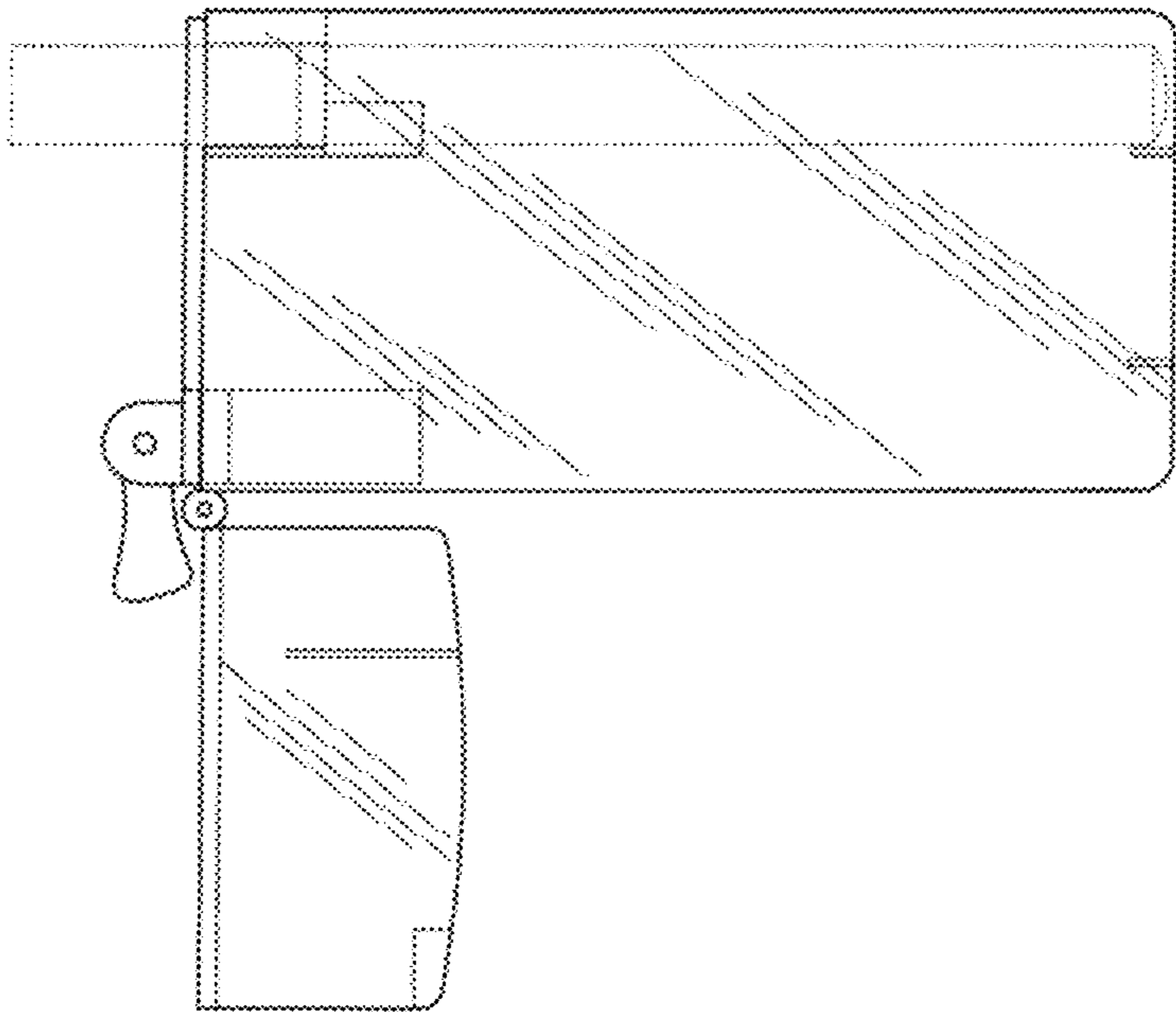


FIG. 16

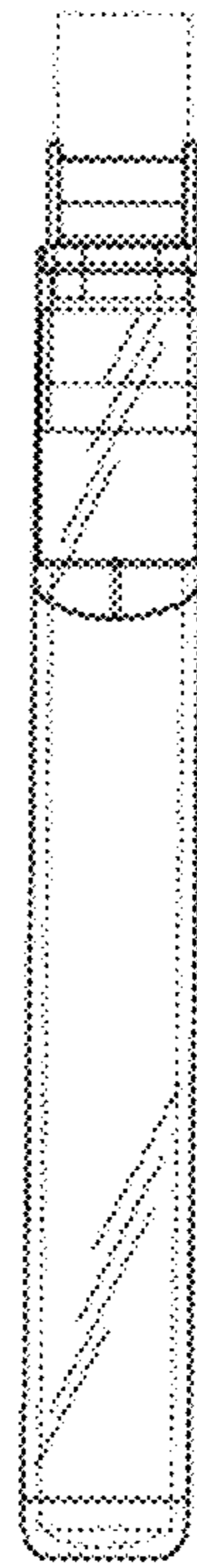


FIG. 18

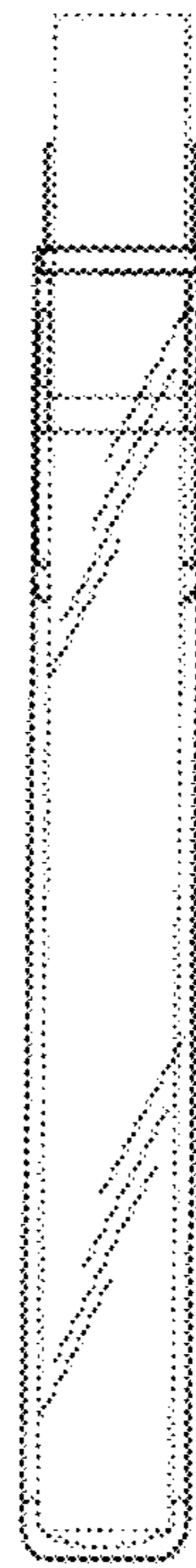


FIG. 19



FIG. 20



FIG. 21

UNITED STATES PATENT AND TRADEMARK OFFICE
CERTIFICATE OF CORRECTION

PATENT NO. : D725,823 S
APPLICATION NO. : 29/440716
DATED : March 31, 2015
INVENTOR(S) : Mark Scatterday et al.

Page 1 of 1

It is certified that error appears in the above-identified patent and that said Letters Patent is hereby corrected as shown below:

On the Title Page, please add the following below “Related U.S. Application Data”:

Item (63) Continuation-in-part of application No. 13/495,186, filed on Jun. 13, 2012,
which claims benefit of application No. 61/614,973, filed on Mar. 23, 2012.

Signed and Sealed this
Fifteenth Day of September, 2015



Michelle K. Lee
Director of the United States Patent and Trademark Office