



US00D725821S

(12) **United States Design Patent**
Levin et al.

(10) **Patent No.:** **US D725,821 S**
(45) **Date of Patent:** **** Mar. 31, 2015**

(54) **ELECTRONIC VAPORIZING DEVICE**

(71) Applicant: **UpToke, LLC**, Berkeley, CA (US)
(72) Inventors: **Jason R. Levin**, Berkeley, CA (US);
Adam J. Tavin, East Palo Alto, CA (US);
Artem Mishin, Pacifica, CA (US);
Howard Allen Wilson, Campbell, CA (US);
Saroj Kumar Sahu, Mountain House, CA (US)

(73) Assignee: **UpToke, LLC**, Berkeley, CA (US)

(**) Term: **14 Years**

(21) Appl. No.: **29/446,706**

(22) Filed: **Feb. 26, 2013**

(51) **LOC (10) Cl.** **27-01**

(52) **U.S. Cl.**

USPC **D27/101**; D27/136

(58) **Field of Classification Search**

CPC A24F 25/02; A24F 47/008; A24F 13/26;
A24F 13/24; A24F 47/00

USPC D27/100, 101, 103, 104, 105, 108, 125,
D27/163, 164, 170, 172, 174, 175, 183, 184,
D27/186, 187, 188, 189, 190, 191, 192, 194,
D27/195; D28/75, 76, 85; 4/258, 259, 267,
4/271, 283; 131/235.1, 270, 271, 272,
131/273, 329; D19/135, 167, 169, 170,
D19/925; 401/10, 214

See application file for complete search history.

(56) **References Cited**

U.S. PATENT DOCUMENTS

5,535,735 A * 7/1996 McPherson 128/202.21
D405,219 S * 2/1999 Dal Monte D27/101

(Continued)

FOREIGN PATENT DOCUMENTS

RU 94815 U1 6/2010
RU 111765 U1 12/2011

OTHER PUBLICATIONS

International Search Report and Written Opinion of corresponding International Application No. PCT/US2013/030610, dated Aug. 29, 2013. 3 pages.

Primary Examiner — Barbara Fox

Assistant Examiner — Chelsea Sealey

(74) *Attorney, Agent, or Firm* — Kilpatrick Townsend & Stockton LLP

(57) **CLAIM**

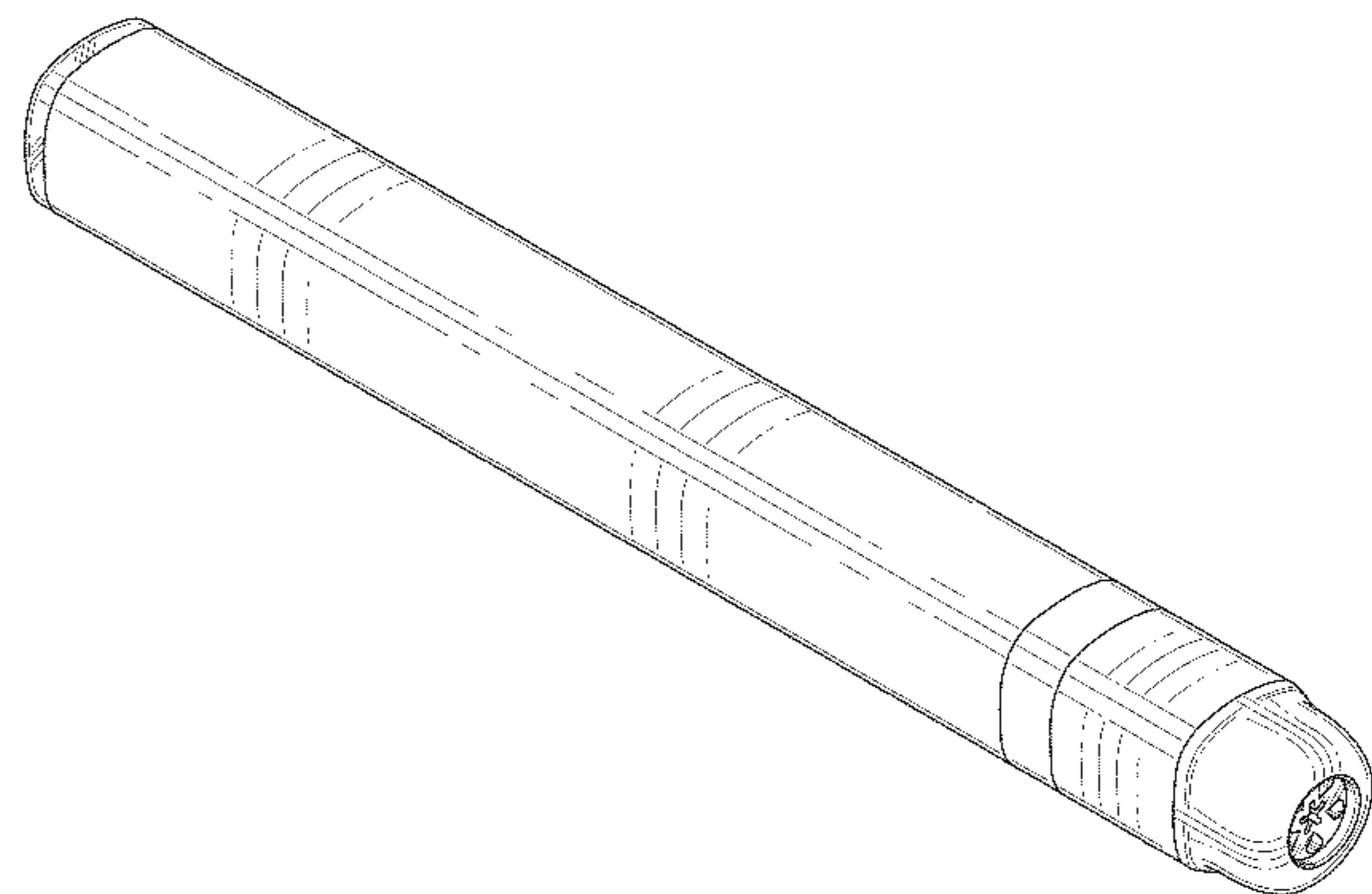
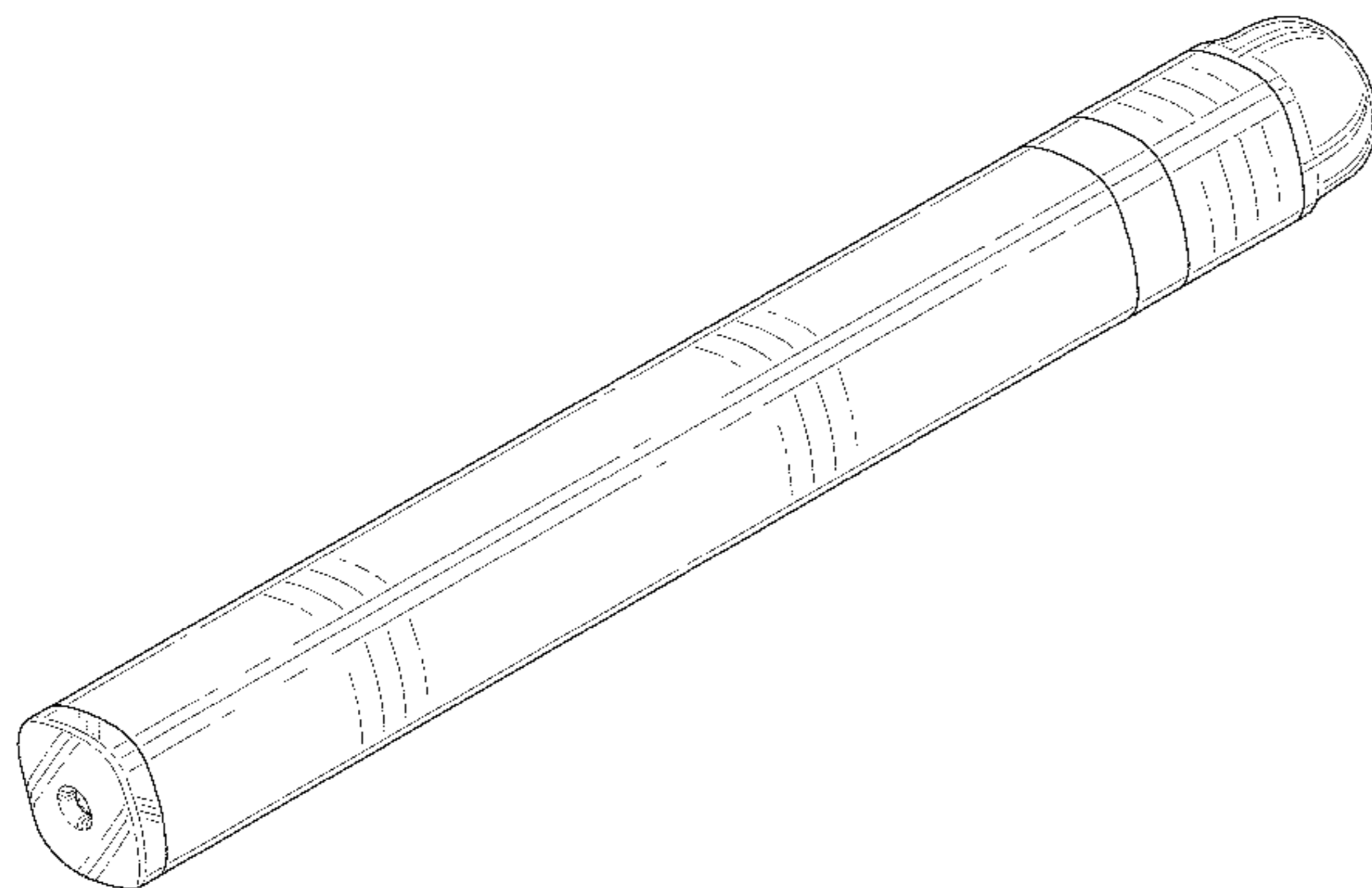
The ornamental design for an electronic vaporizing device, as shown and described.

DESCRIPTION

FIG. 1 is a front perspective view of an electronic vaporizing device showing our new design;
FIG. 2 is a rear perspective view thereof;
FIG. 3 is a left side view thereof;
FIG. 4 is a right side view thereof;
FIG. 5 is a top view thereof;
FIG. 6 is a bottom view thereof;
FIG. 7 is a left side view thereof with cross section lines;
FIG. 8 is a cross sectional view taken along FIG. 8-FIG. 8 in FIG. 7;
FIG. 9 is a cross sectional view taken along FIG. 9-FIG. 9 in FIG. 7;
FIG. 10 is a left side view, such as that shown in FIG. 3, rotated by 45 degrees about the longitudinal axis thereof with cross section lines;
FIG. 11 is a cross sectional view taken along FIG. 11-FIG. 11 in FIG. 10; and,
FIG. 12 is a cross sectional view taken along FIG. 12-FIG. 12 in FIG. 10.

The broken lines shown in the drawings represent portions of the electronic vaporizing device that form no part of the claimed design.

1 Claim, 5 Drawing Sheets



(56)

References Cited

U.S. PATENT DOCUMENTS

6,095,153 A 8/2000 Kessler et al.
 D479,018 S * 8/2003 Sgariboldi D28/85
 D533,309 S * 12/2006 Nobuto et al. D28/76
 D585,489 S * 1/2009 Han et al. D19/36
 D598,496 S * 8/2009 Ikeda D19/45
 D617,050 S * 6/2010 Lou D28/76
 7,832,410 B2 11/2010 Hon
 D628,636 S * 12/2010 Wang D19/48
 7,997,280 B2 8/2011 Rosenthal
 D656,545 S * 3/2012 Hung D19/36

D681,038 S * 4/2013 Tomohiro D14/411
 D684,311 S * 6/2013 Liu D27/101
 2008/0023003 A1 1/2008 Rosenthal
 2009/0293892 A1 12/2009 Williams et al.
 2010/0242974 A1 9/2010 Pan
 2011/0036346 A1 2/2011 Cohen et al.
 2011/0097060 A1 4/2011 Buzzetti
 2011/0168194 A1 7/2011 Hon
 2011/0192399 A1 8/2011 Wilke et al.
 2011/0236002 A1 9/2011 Oglesby et al.
 2011/0265806 A1 11/2011 Alarcon et al.
 2014/0261494 A1* 9/2014 Scatterday 131/329

* cited by examiner

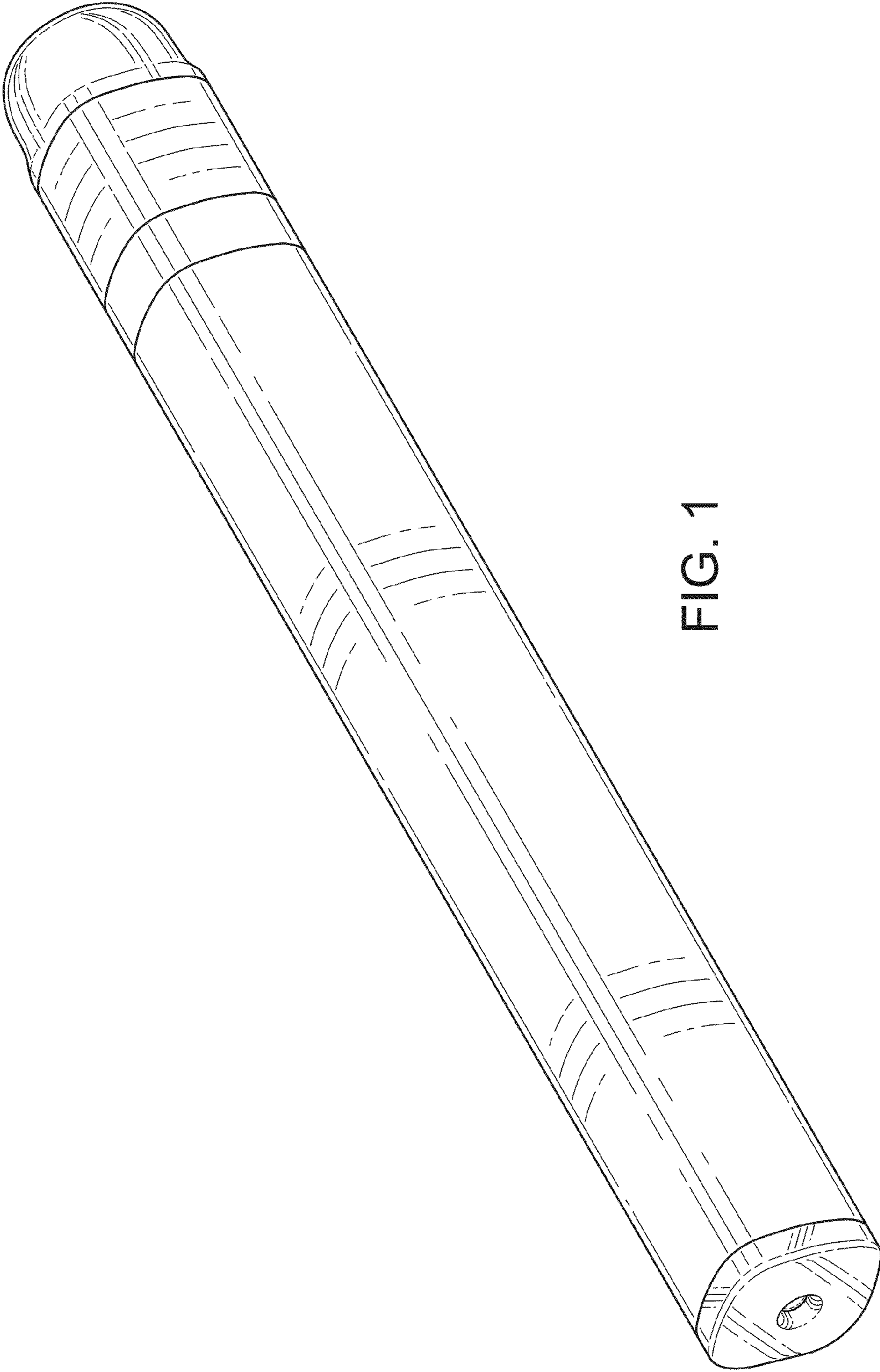


FIG. 1

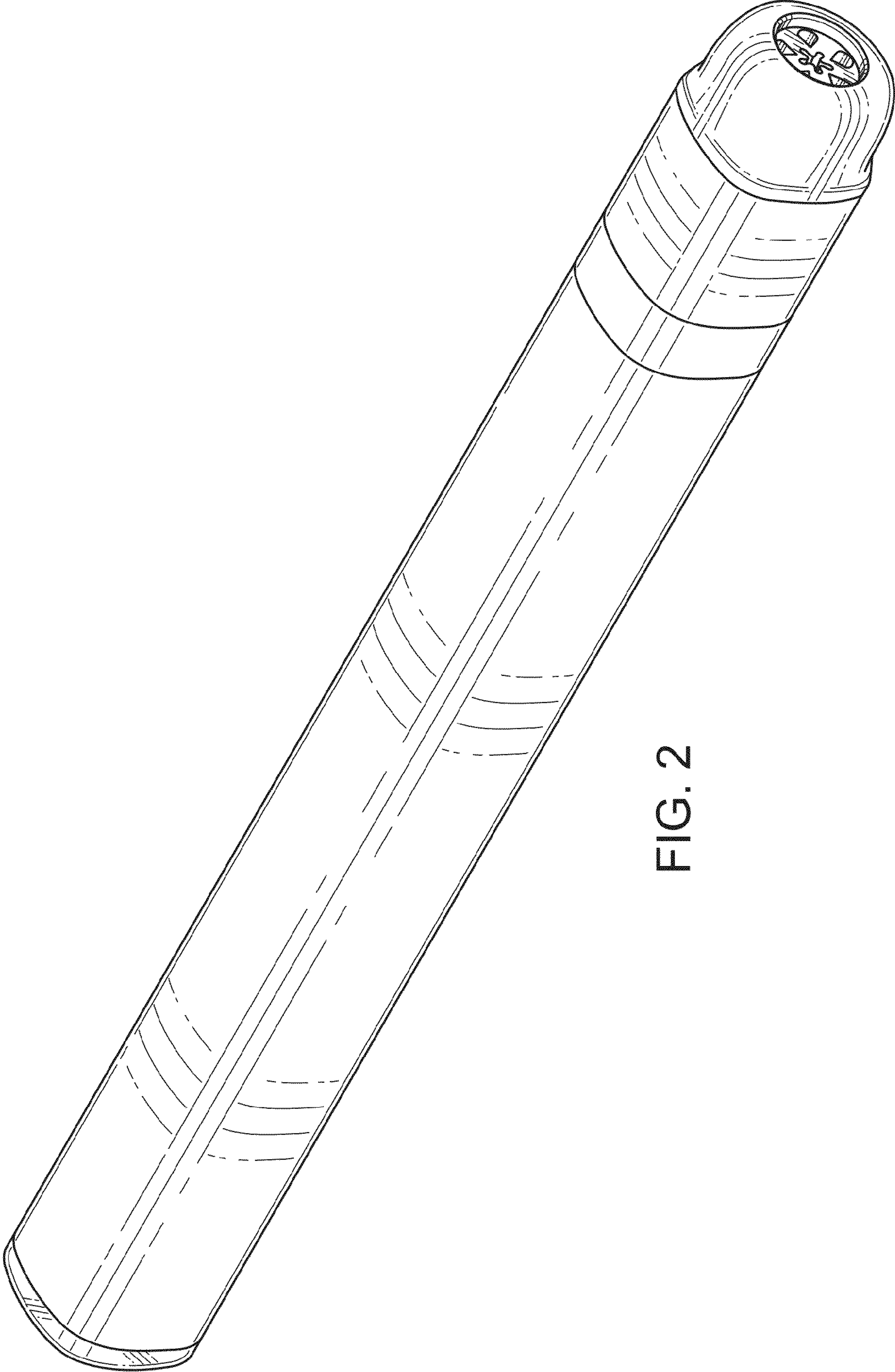


FIG. 2

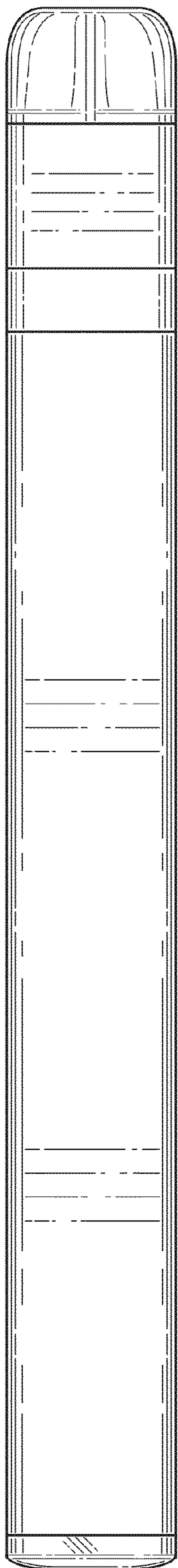


FIG. 3

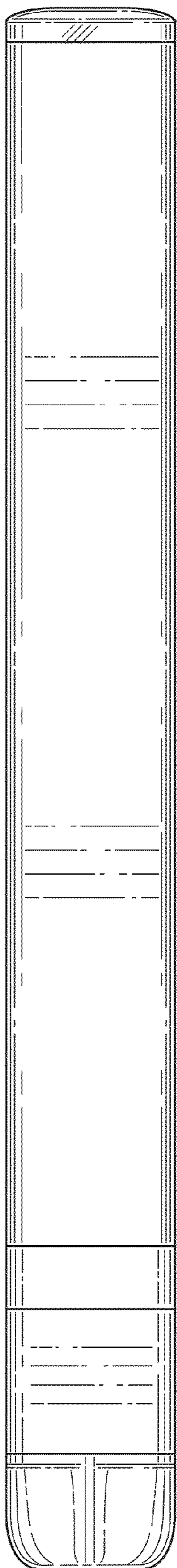


FIG. 4

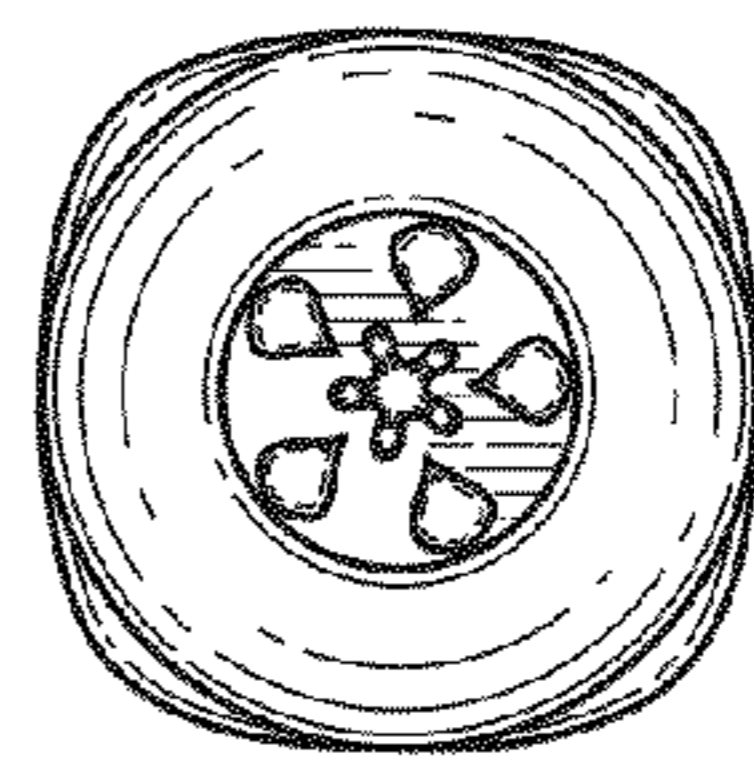


FIG. 5

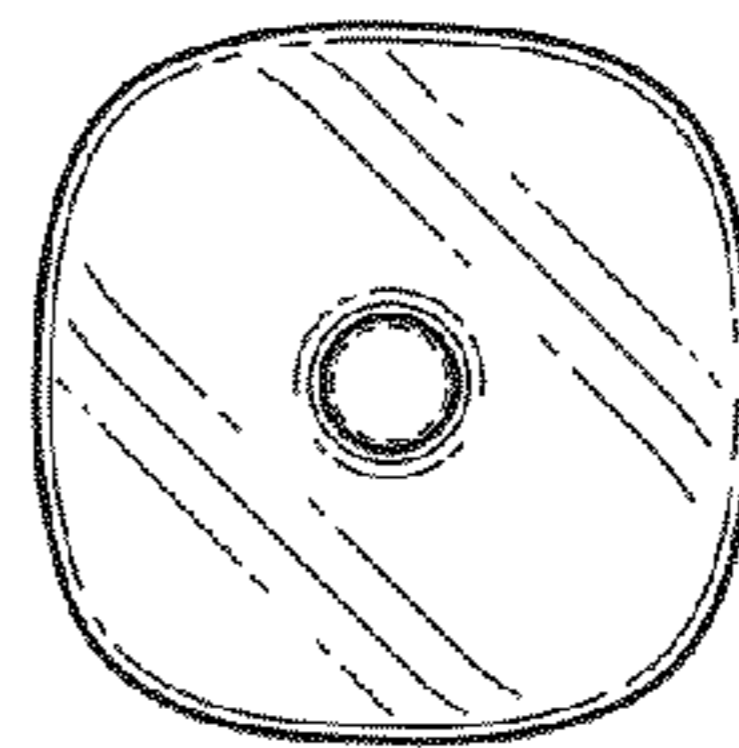


FIG. 6

+

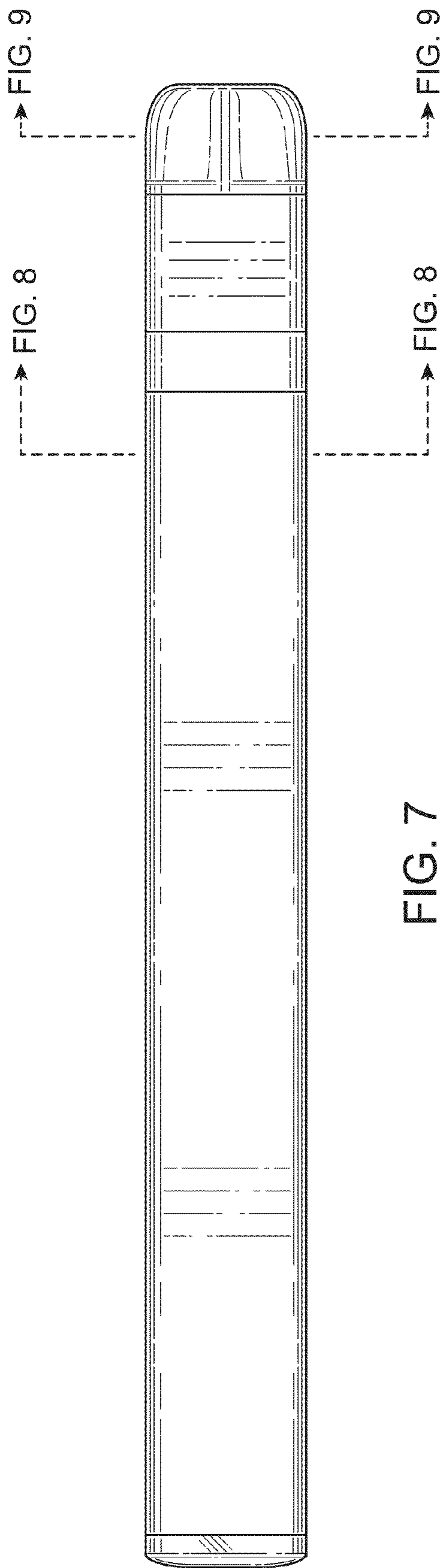


FIG. 7

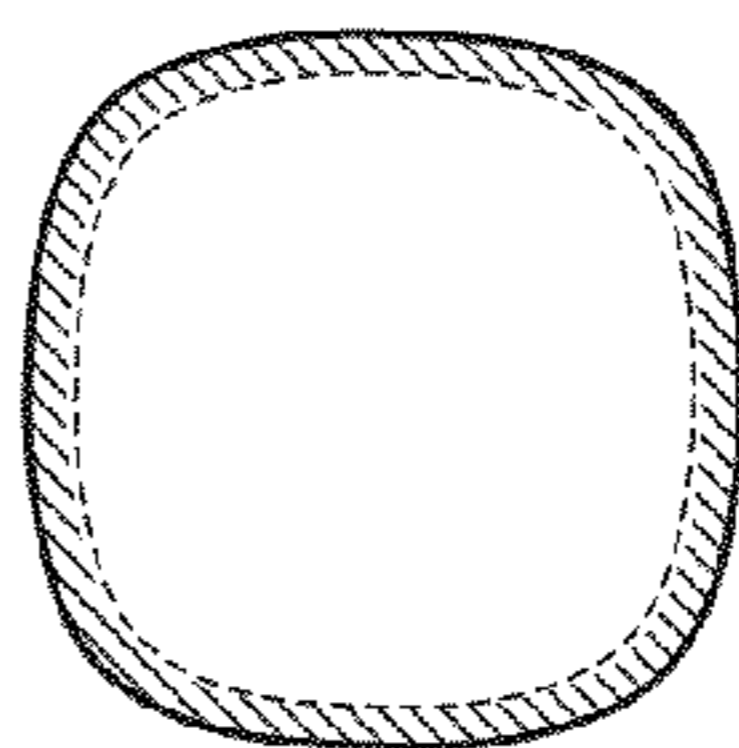


FIG. 8

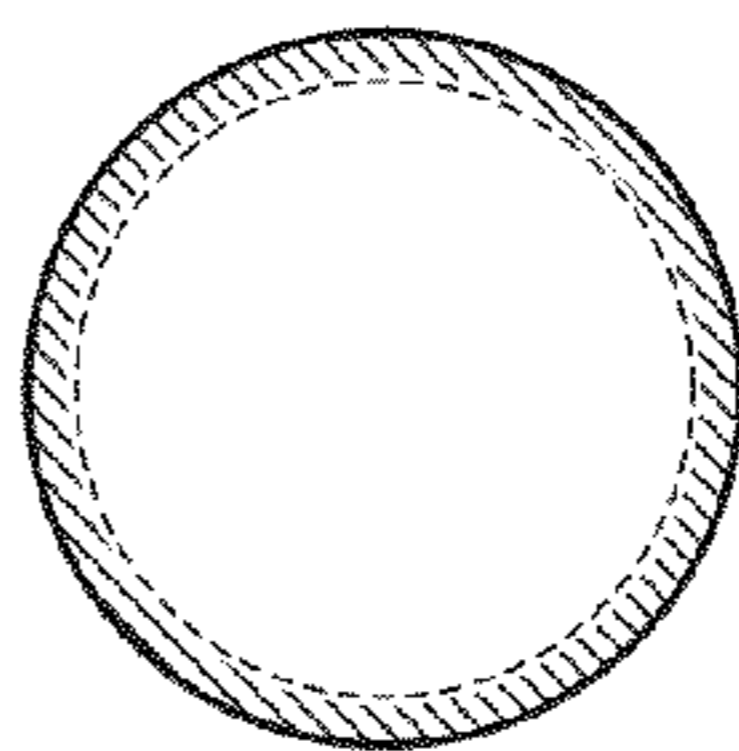


FIG. 9

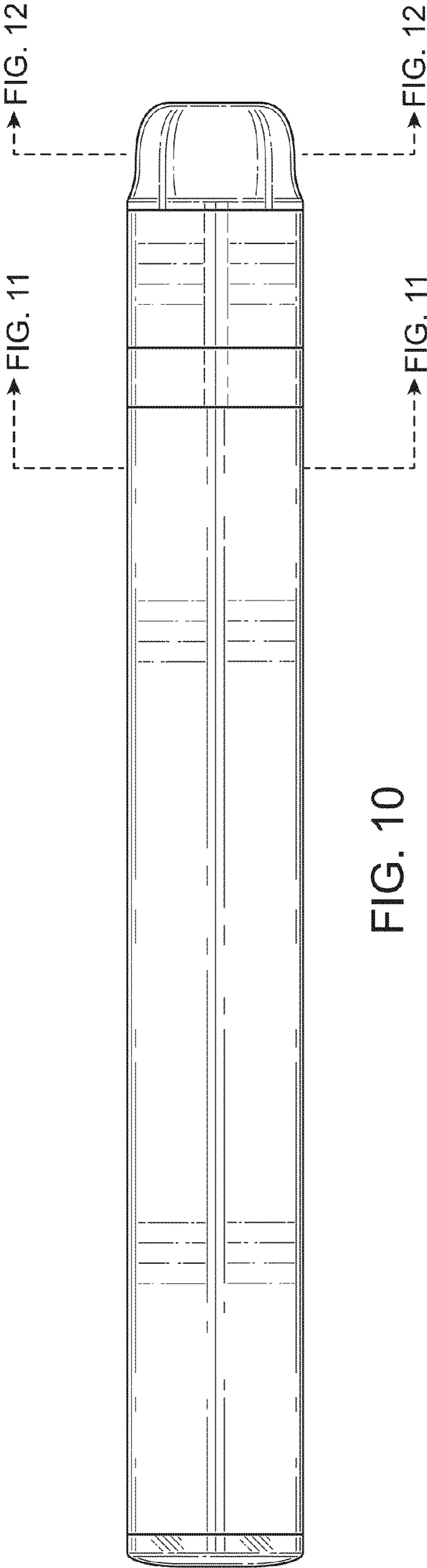


FIG. 10

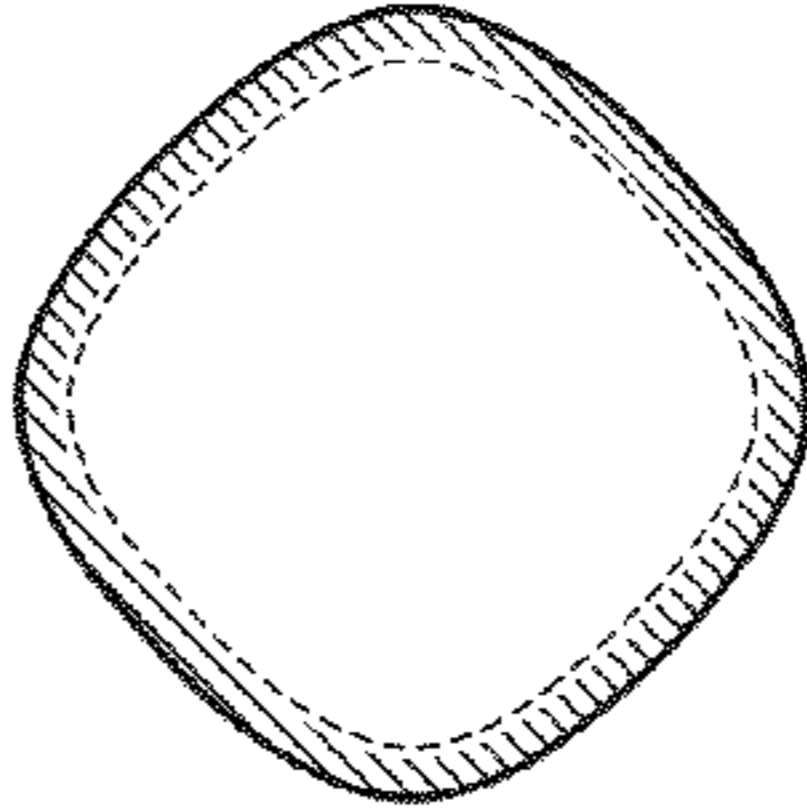


FIG. 11

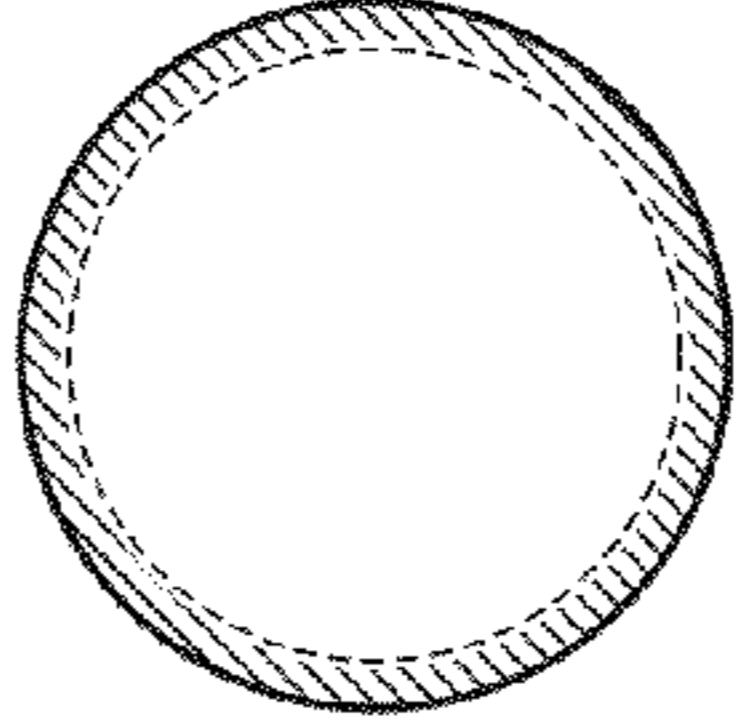


FIG. 12