



US00D725820S

(12) **United States Design Patent**
Hargreaves

(10) **Patent No.:** **US D725,820 S**
(45) **Date of Patent:** **** Mar. 31, 2015**

- (54) **BALLAST FRAME**
- (71) Applicant: **IP Holdings, LLC**, Vancouver, WA (US)
- (72) Inventor: **Doug Hargreaves**, Vancouver, WA (US)
- (73) Assignee: **IP Holdings, LLC**, Vancouver, WA (US)
- (**) Term: **14 Years**
- (21) Appl. No.: **29/476,546**
- (22) Filed: **Dec. 13, 2013**

4,924,152 A	5/1990	Flickinger	
5,140,225 A	8/1992	Barton	
5,446,617 A	8/1995	Blocher et al.	
D373,625 S	9/1996	Pereira	
D387,333 S	12/1997	Pellow et al.	
D387,970 S	12/1997	Enslin	
5,894,884 A	4/1999	Durian	
D425,462 S *	5/2000	Ujiiie	D12/171
D432,639 S	10/2000	Durian	
D477,568 S	7/2003	Milby	
D478,547 S	8/2003	Milby	
D523,803 S *	6/2006	Smith et al.	D12/223
D537,777 S	3/2007	Hargreaves	
D545,737 S *	7/2007	Sherman	D12/180

(Continued)

Related U.S. Application Data

- (63) Continuation of application No. 29/418,487, filed on Apr. 17, 2012, now Pat. No. Des. 698,074.
- (51) **LOC (10) Cl.** **26-99**
- (52) **U.S. Cl.**
USPC **D26/138**
- (58) **Field of Classification Search**
USPC D26/3, 24, 35, 39, 42, 71, 72, 75, 76,
D26/78, 79, 80, 81, 82, 83, 85, 88, 90, 118,
D26/119, 120, 121, 122, 138, 140, 141,
D26/142; 362/23.07, 23.09, 23.16, 217.01,
362/217.02, 217.05, 217.08, 217.09,
362/249.02, 260, 311.02, 555, 612, 614,
362/800
See application file for complete search history.

References Cited

U.S. PATENT DOCUMENTS

D177,532 S *	4/1956	Meyer et al.	D26/128
3,197,545 A	7/1965	Moore	
3,741,292 A	6/1973	Aakalu et al.	
4,413,674 A	11/1983	Avery et al.	
4,471,898 A	9/1984	Parker	
D292,619 S *	11/1987	Chen	D26/141
4,745,966 A	5/1988	Avery	

Primary Examiner — Caron D Veynar

Assistant Examiner — Natasha Vujcic

(74) *Attorney, Agent, or Firm* — J. Douglas Wells

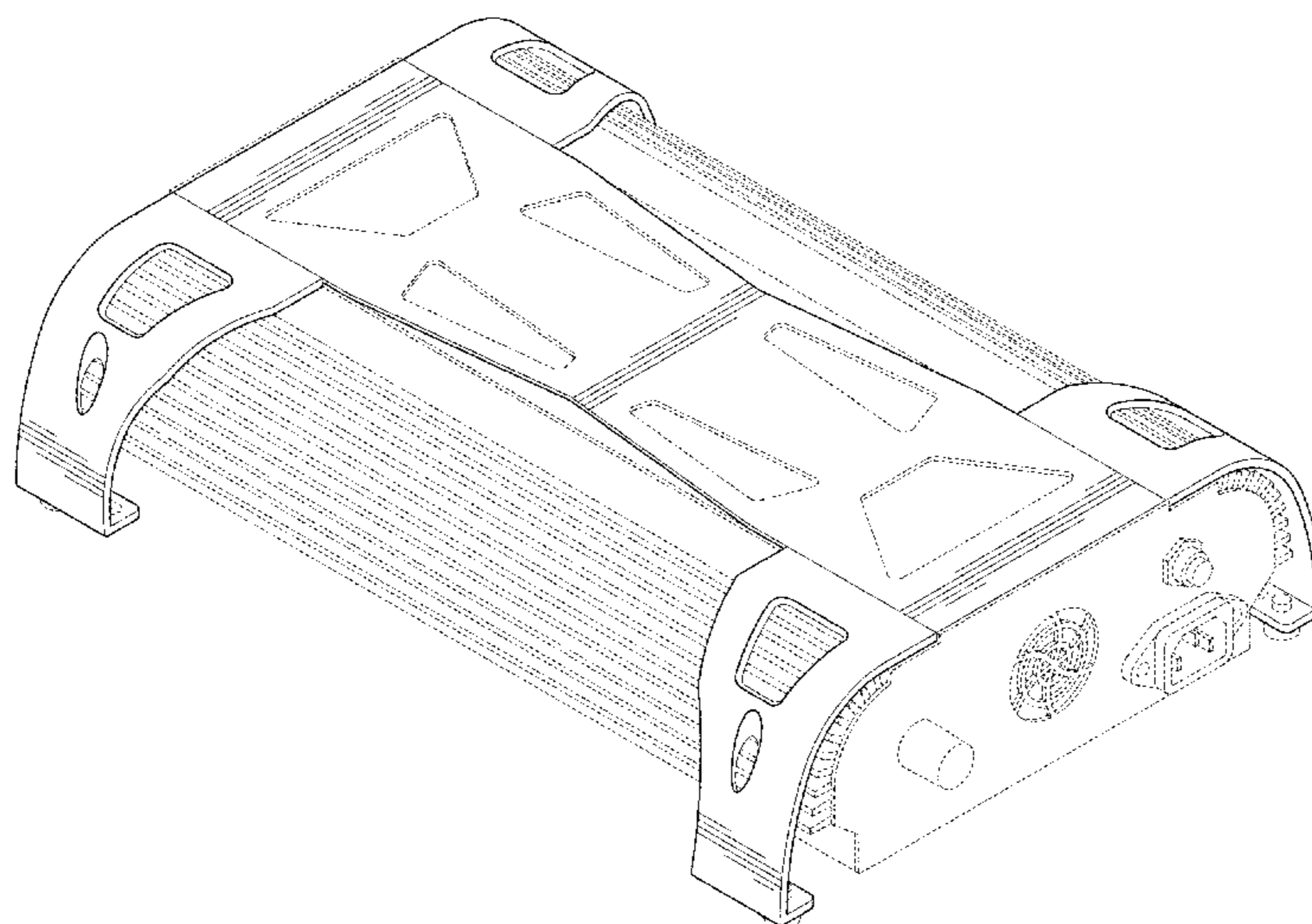
(57) **CLAIM**

The ornamental design for a ballast frame, as shown and described.

DESCRIPTION

FIG. 1 is a perspective view of a ballast frame, showing my new design;
 FIG. 2 is a front elevation view of the ballast frame shown in FIG. 1;
 FIG. 3 is a rear elevation view of the ballast frame shown in FIG. 1;
 FIG. 4 is a right side view of the ballast frame shown in FIG. 1;
 FIG. 5 is a left side view of the ballast frame shown in FIG. 1;
 FIG. 6 is a top plan view of the ballast frame shown in FIG. 1;
 and,
 FIG. 7 is a bottom plan view of the ballast frame shown in FIG. 1.
 The broken lines in the drawings illustrate portions of the ballast frame which form no part of the claimed design.

1 Claim, 5 Drawing Sheets



(56)

References Cited

U.S. PATENT DOCUMENTS

D545,996 S 7/2007 Hargreaves
D615,848 S 5/2010 Prichard et al.
D625,168 S * 10/2010 Chen D8/354
D654,350 S * 2/2012 Preda D8/354

D691,074 S * 10/2013 Dugardin D12/171
D698,074 S * 1/2014 Hargreaves D26/138
D710,528 S * 8/2014 Wardenburg et al. D26/75
2010/0319953 A1 12/2010 Yochum et al.
2011/0025797 A1 2/2011 Rosati et al.
2011/0025803 A1 2/2011 Rosati et al.

* cited by examiner

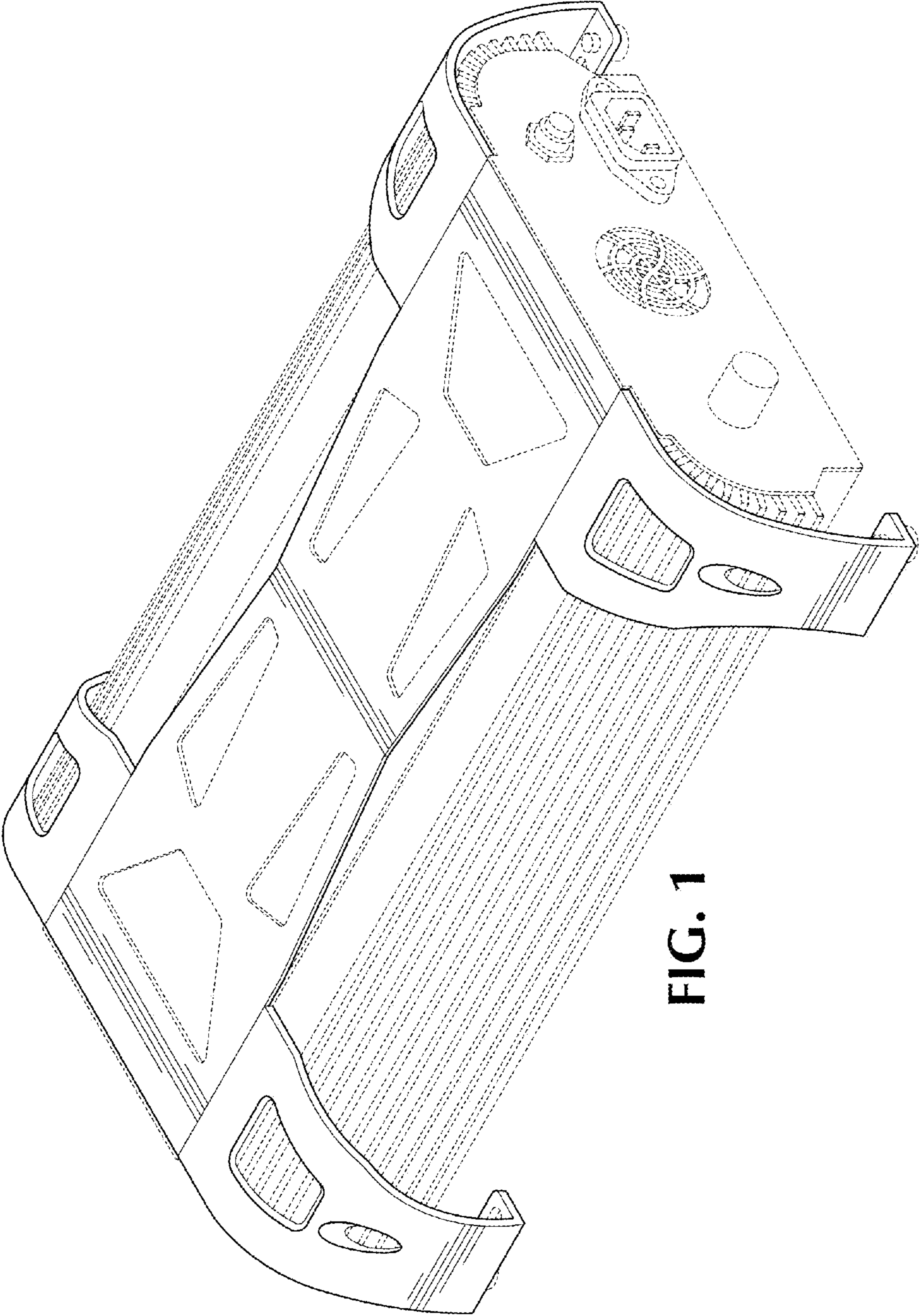


FIG. 1

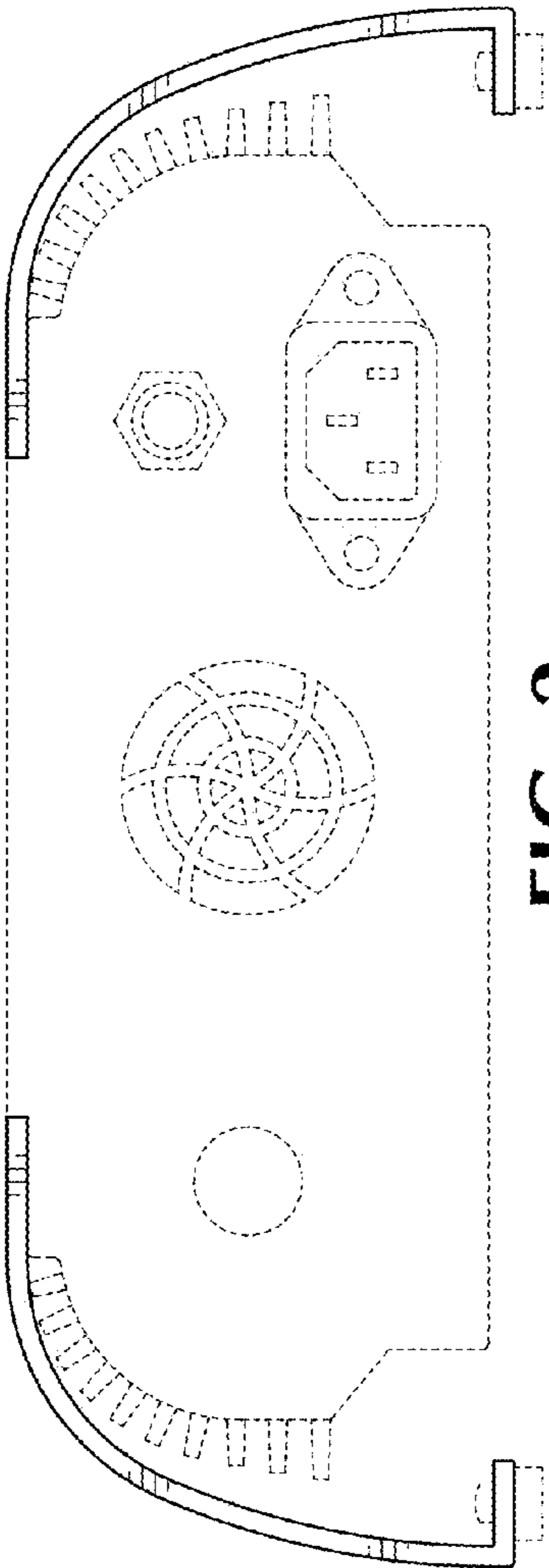


FIG. 2

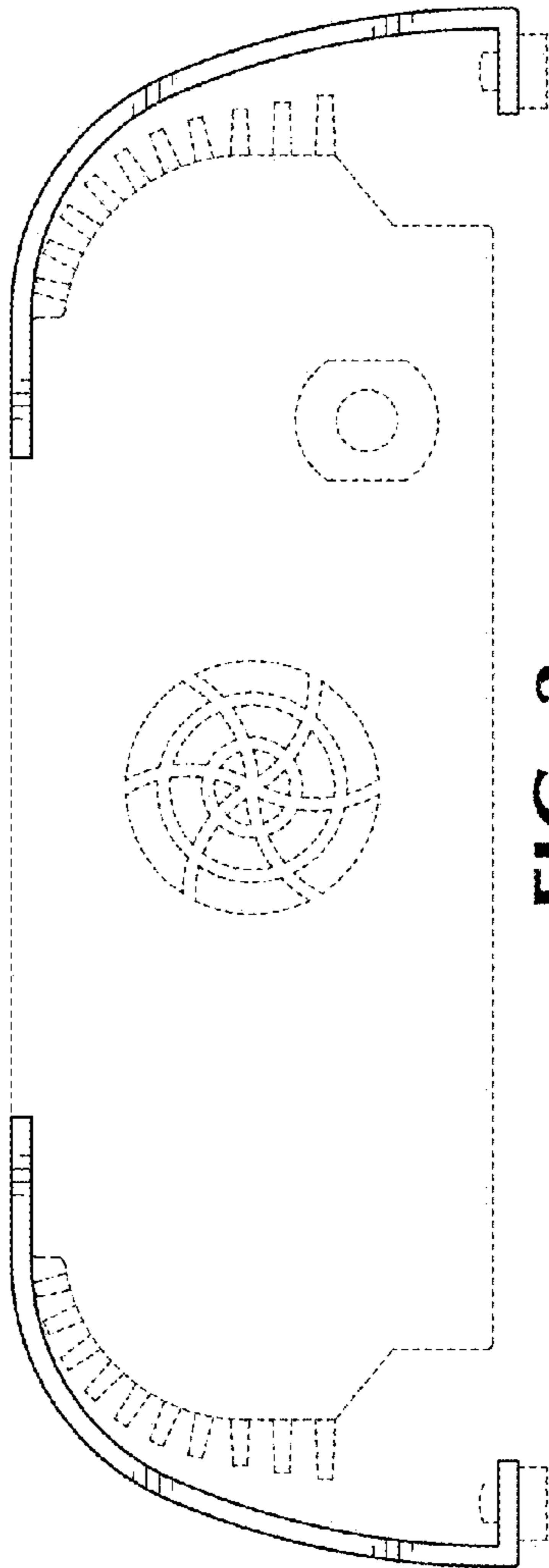


FIG. 3

3/5

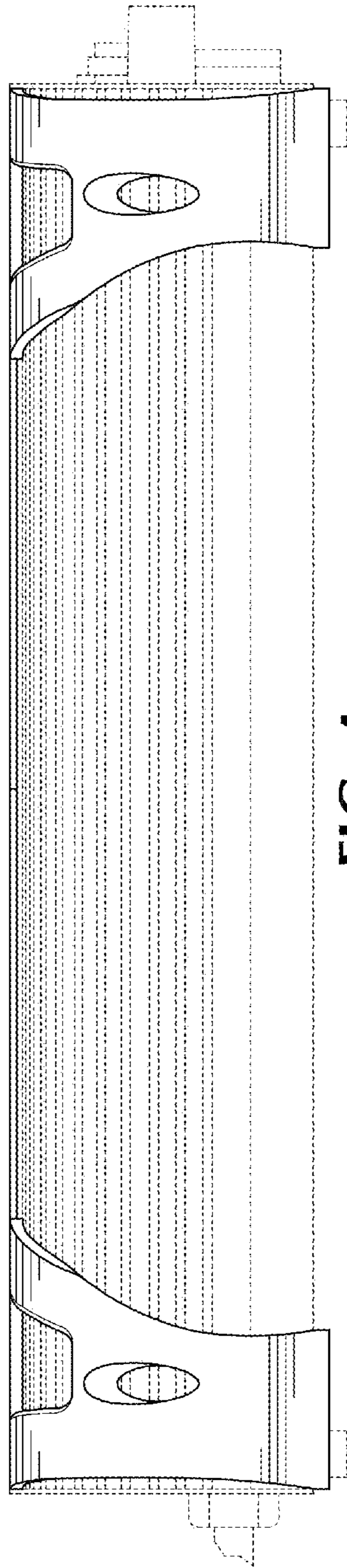


FIG. 4

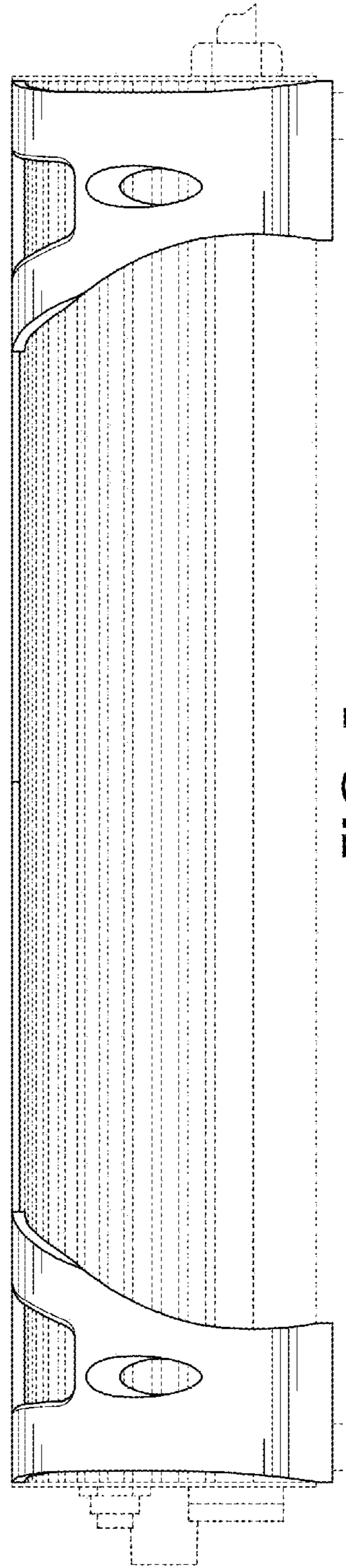


FIG. 5

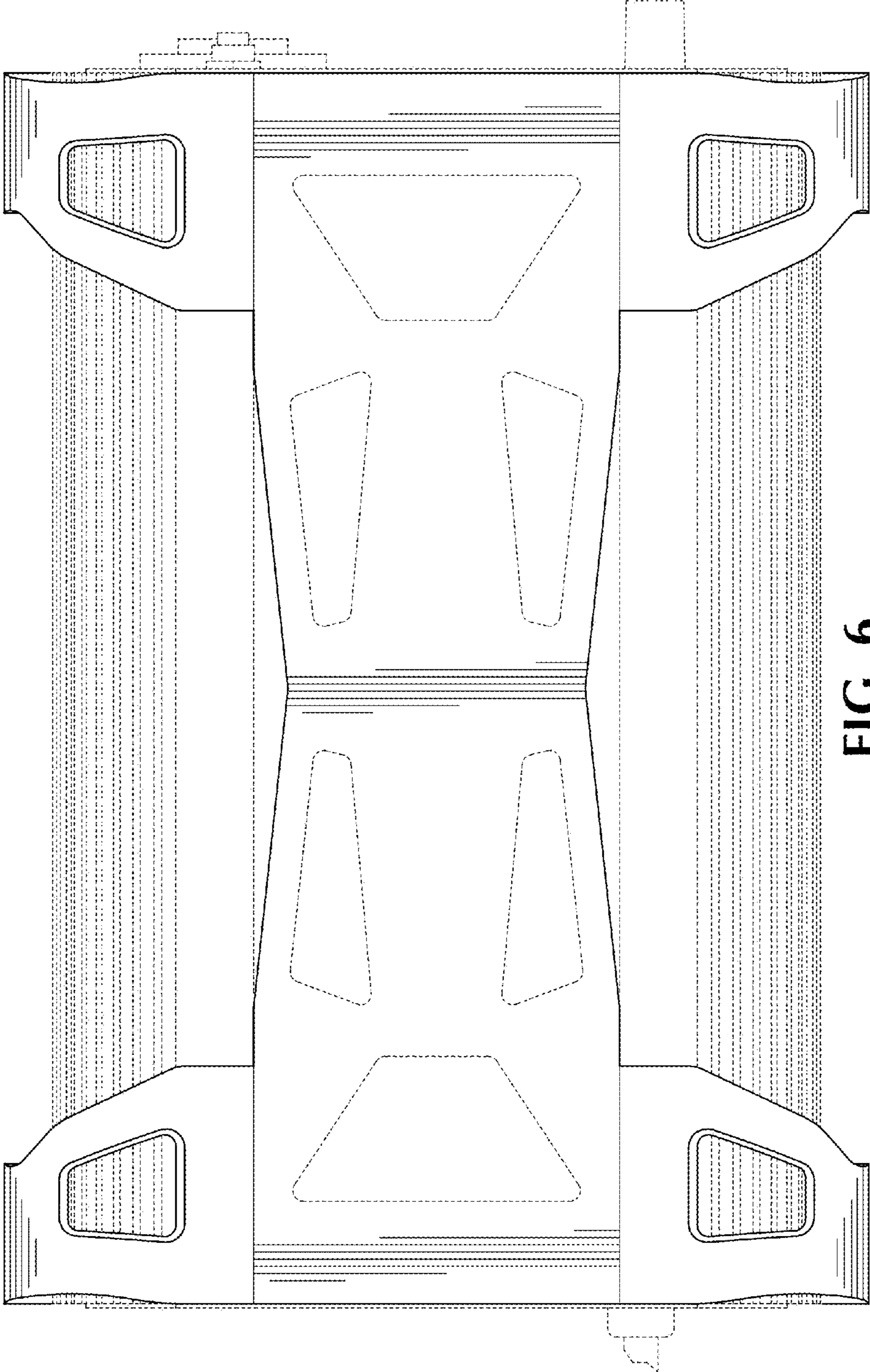


FIG. 6

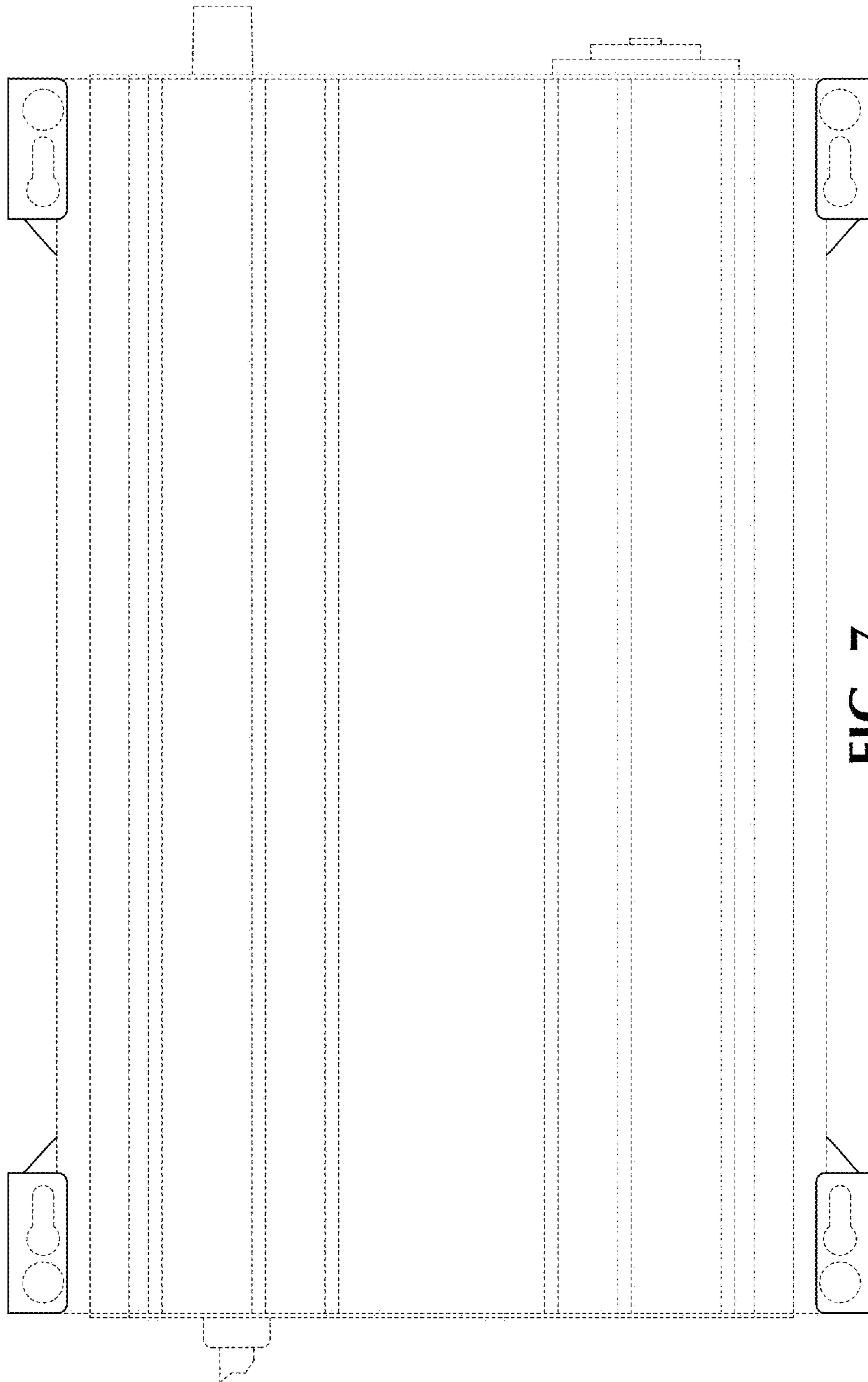


FIG. 7