



US00D725819S

(12) **United States Design Patent**
Reynolds

(10) **Patent No.:** **US D725,819 S**
(45) **Date of Patent:** **** Mar. 31, 2015**

(54) **HORTICULTURE GROW LIGHT HOUSING**
(71) Applicant: **Christopher Reynolds**, Vancouver, WA (US)
(72) Inventor: **Christopher Reynolds**, Vancouver, WA (US)
(73) Assignee: **IP Holdings, LLC**, Vancouver, WA (US)
(**) Term: **14 Years**
(21) Appl. No.: **29/460,193**

(22) Filed: **Jul. 9, 2013**
(51) **LOC (10) Cl.** **26-99**
(52) **U.S. Cl.**
USPC **D26/118**
(58) **Field of Classification Search**
CPC A01G 9/26; A01G 9/246; A01G 7/045;
F21V 29/02
USPC D26/24, 26, 51, 56, 57, 61, 72-91,
D26/92-102, 105, 108, 109, 113, 118, 119,
D26/137, 204; 362/3, 11, 12, 16, 145,
362/147-150, 217.01-217.12, 257, 265,
362/291, 294, 296.01, 296.09, 297, 308,
362/317, 327, 328, 335, 362-368, 373, 375,
362/404, 407, 412, 416, 455, 558, 563, 564,
362/576, 640-644, 805-809, 811;
D14/172, 184, 195, 204; D11/343,
D11/352, 465, 467, 483, 484, 499; D6/553,
D6/556; 52/28

See application file for complete search history.

(56) **References Cited**

U.S. PATENT DOCUMENTS

1,987,705 A * 1/1935 Pedersen 362/364
D123,768 S 12/1940 Scribner
3,263,071 A * 7/1966 Fabbri 362/375
3,272,978 A 9/1966 Jackson
D266,578 S * 10/1982 Moshier D26/51
4,531,180 A 7/1985 Hernandez

4,893,221 A * 1/1990 Friedman 362/375
4,933,821 A 6/1990 Anderson
D311,597 S 10/1990 Poot
5,253,152 A * 10/1993 Yang et al. 362/368
5,353,746 A * 10/1994 Del Rosario 119/266
6,024,468 A * 2/2000 Kassay et al. 362/217.05
6,065,849 A * 5/2000 Chen 362/101
6,152,579 A 11/2000 Reed et al.
D456,938 S 5/2002 Wardenburg
D459,825 S 7/2002 Field
6,488,387 B2 * 12/2002 Wardenburg 362/220
D469,564 S 1/2003 Brok
6,527,422 B1 3/2003 Hutchison
6,595,662 B2 * 7/2003 Wardenburg 362/362

(Continued)

OTHER PUBLICATIONS

Grow Lights Home Depot: Find Many Types of Grow Lights for your Plant, published Dec. 22, 2012, online. Site visited Jun. 25, 2014. Internet URL:<“http://besthomedecorffurniture.com/gardening-decor/grow-lights-home-depot-few-things-to-consider-when-buying-grow-lighting-plants-online.html”>.*

(Continued)

Primary Examiner — Garth Rademaker
Assistant Examiner — Llorellys Martinez-Rivera
(74) *Attorney, Agent, or Firm* — J. Douglas Wells

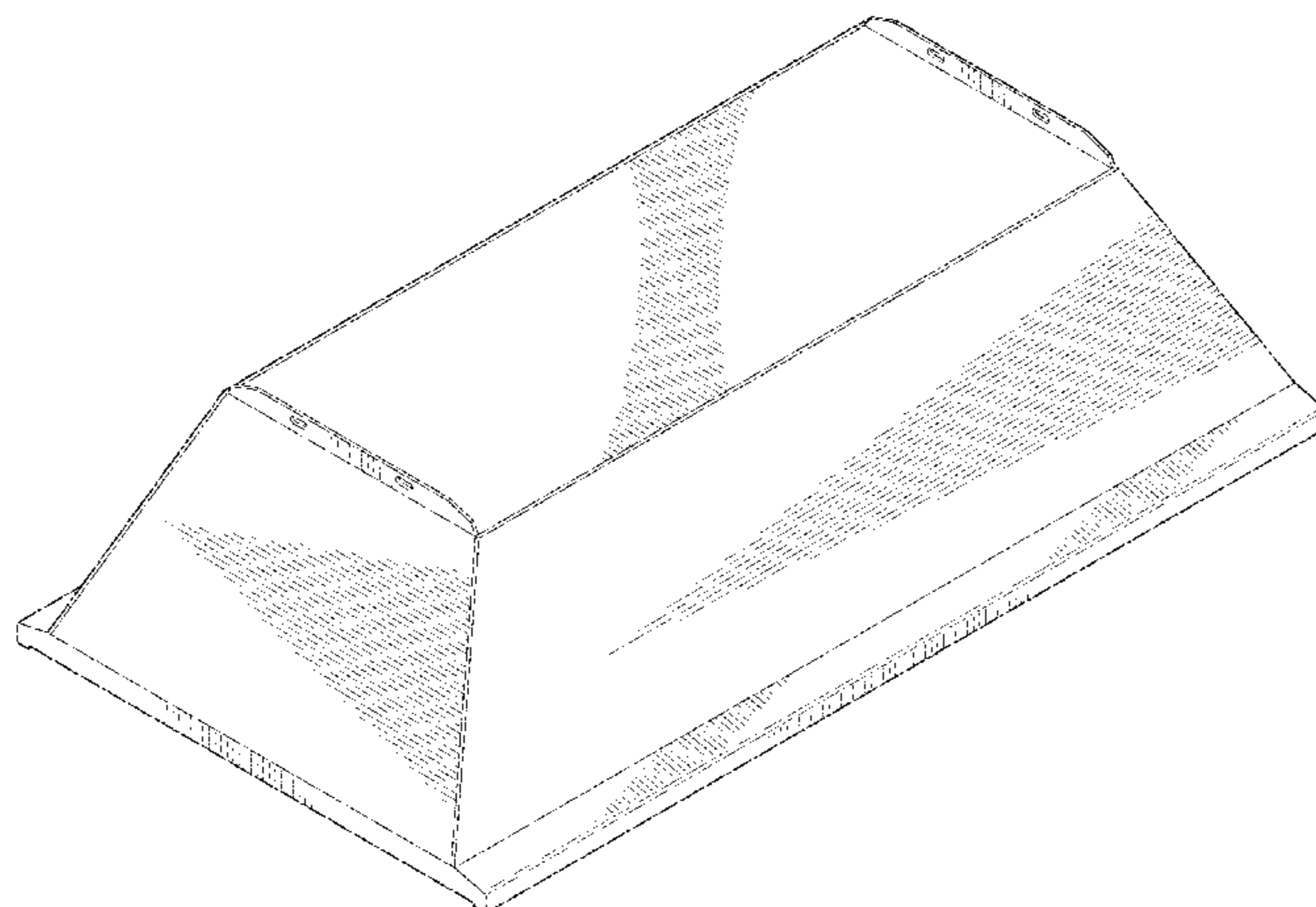
(57) **CLAIM**

The ornamental design for a horticulture grow light housing, as shown.

DESCRIPTION

FIG. 1 is a front right perspective view of a horticulture grow light housing showing my new design;
FIG. 2 is a front view thereof;
FIG. 3 is a back view thereof;
FIG. 4 is a right side view thereof;
FIG. 5 is a left side view thereof;
FIG. 6 is a top view thereof; and,
FIG. 7 is a bottom view thereof.

1 Claim, 6 Drawing Sheets



(56)

References Cited

U.S. PATENT DOCUMENTS

D542,460 S * 5/2007 Hargreaves D26/118
 D543,652 S 5/2007 Hargreaves
 D543,654 S 5/2007 Hargreaves
 D544,139 S * 6/2007 Hargreaves D26/118
 D544,626 S 6/2007 Hargreaves
 D544,983 S * 6/2007 Hargreaves D26/76
 D544,984 S 6/2007 Hargreaves
 D544,985 S 6/2007 Hargreaves
 D544,987 S 6/2007 Hargreaves
 D544,994 S 6/2007 Hargreaves
 D544,995 S 6/2007 Hargreaves
 D545,484 S 6/2007 Hargreaves
 D545,994 S 7/2007 Hargreaves
 7,360,927 B2 * 4/2008 Oka et al. 362/265
 7,524,090 B2 * 4/2009 Hargreaves 362/294
 D603,087 S 10/2009 Mo et al.
 7,641,367 B2 1/2010 Hargreaves et al.
 7,654,702 B1 * 2/2010 Ding et al. 362/294
 D614,801 S 4/2010 Collins et al.
 D633,640 S * 3/2011 Wauters D26/85
 D634,060 S 3/2011 Wardenburg
 D634,468 S 3/2011 Hargreaves
 D634,469 S 3/2011 Hargreaves
 D637,752 S 5/2011 Mehktarian
 7,972,044 B2 7/2011 Burkhauser
 8,209,912 B2 7/2012 Hargreaves et al.

D675,369 S 1/2013 Michaud
 D678,599 S 3/2013 Boyer et al.
 D683,064 S 5/2013 Tuck
 D705,474 S * 5/2014 Philips D26/76
 2007/0051321 A1 * 3/2007 Chang 119/266
 2008/0205030 A1 * 8/2008 Hargreaves 362/1
 2008/0205071 A1 8/2008 Townsley
 2008/0278950 A1 11/2008 Pickard et al.
 2009/0262540 A1 10/2009 Hargreaves et al.
 2009/0310373 A1 * 12/2009 Burkhauser 362/373
 2010/0277929 A1 * 11/2010 Hargreaves et al. 362/368
 2011/0259665 A1 * 10/2011 Morgan et al. 362/362
 2013/0242573 A1 * 9/2013 Petrsoki et al. 362/373

OTHER PUBLICATIONS

LED Grow Light Comparison Test Review, Youtube.com, published Jun. 29, 2012, online. Site visited Jun. 25, 2014. Internet URL:<"http://www.youtube.com/watch?v=F-8OY0QBgrs">.*
 Illuminator Pro-Series Hybrid 350W, Wordpress.com, published Dec. 22, 2010, online. Site visited Jun. 25, 2014. Internet URL:<"http://http://growsetup.wordpress.com/category/grow-lights/">.*
 California Lightworks NEW SolarStorm 440W LED Grow Light with UVB, Hydrobuilder.com, online. Site visited Jun. 25, 2014. Internet URL:<"http://hydrobuilder.com/solarstorm-440w-led-grow-light-with-uvb.html?dzid=strands_CLW-SS-440">.*

* cited by examiner

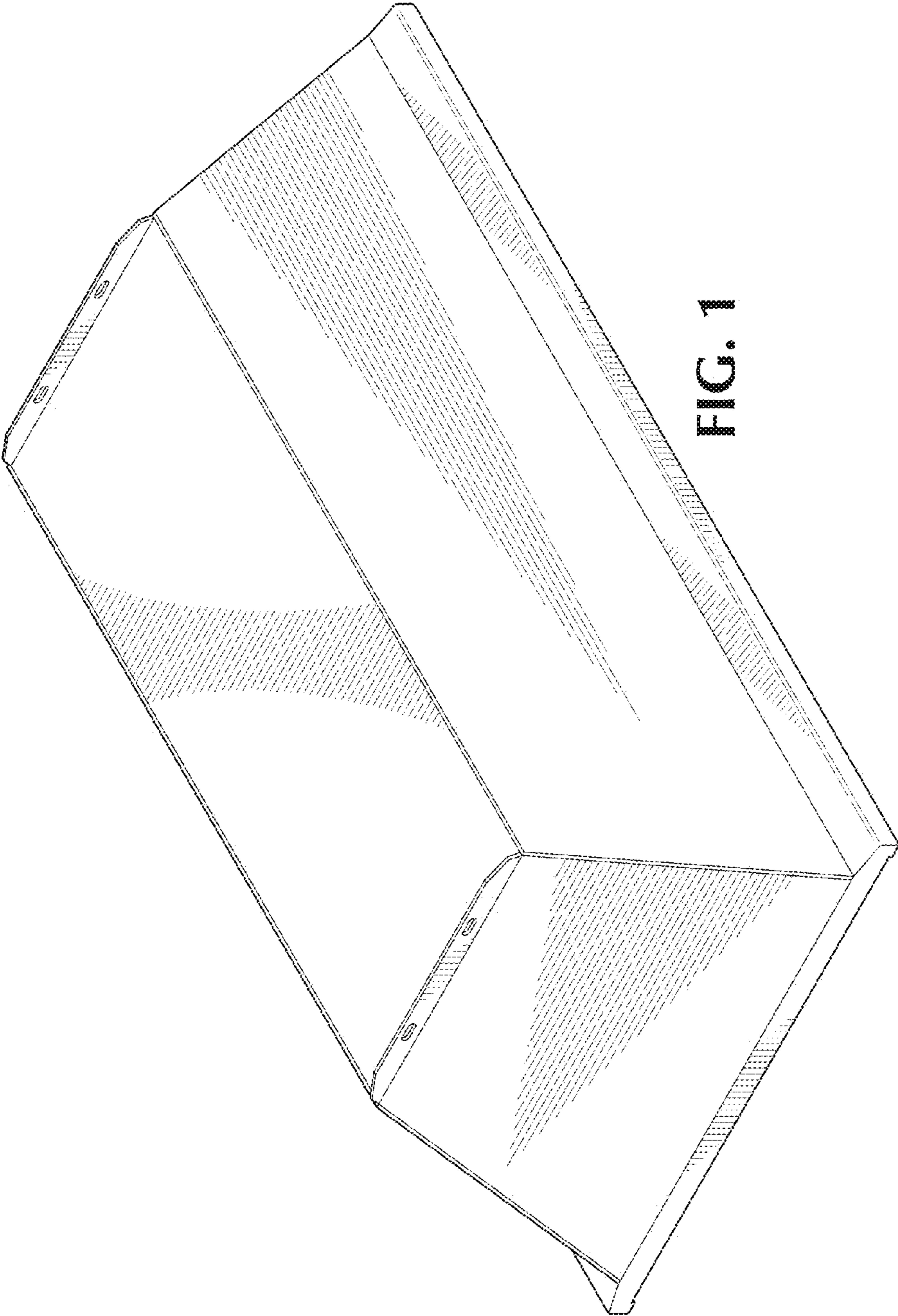


FIG. 1

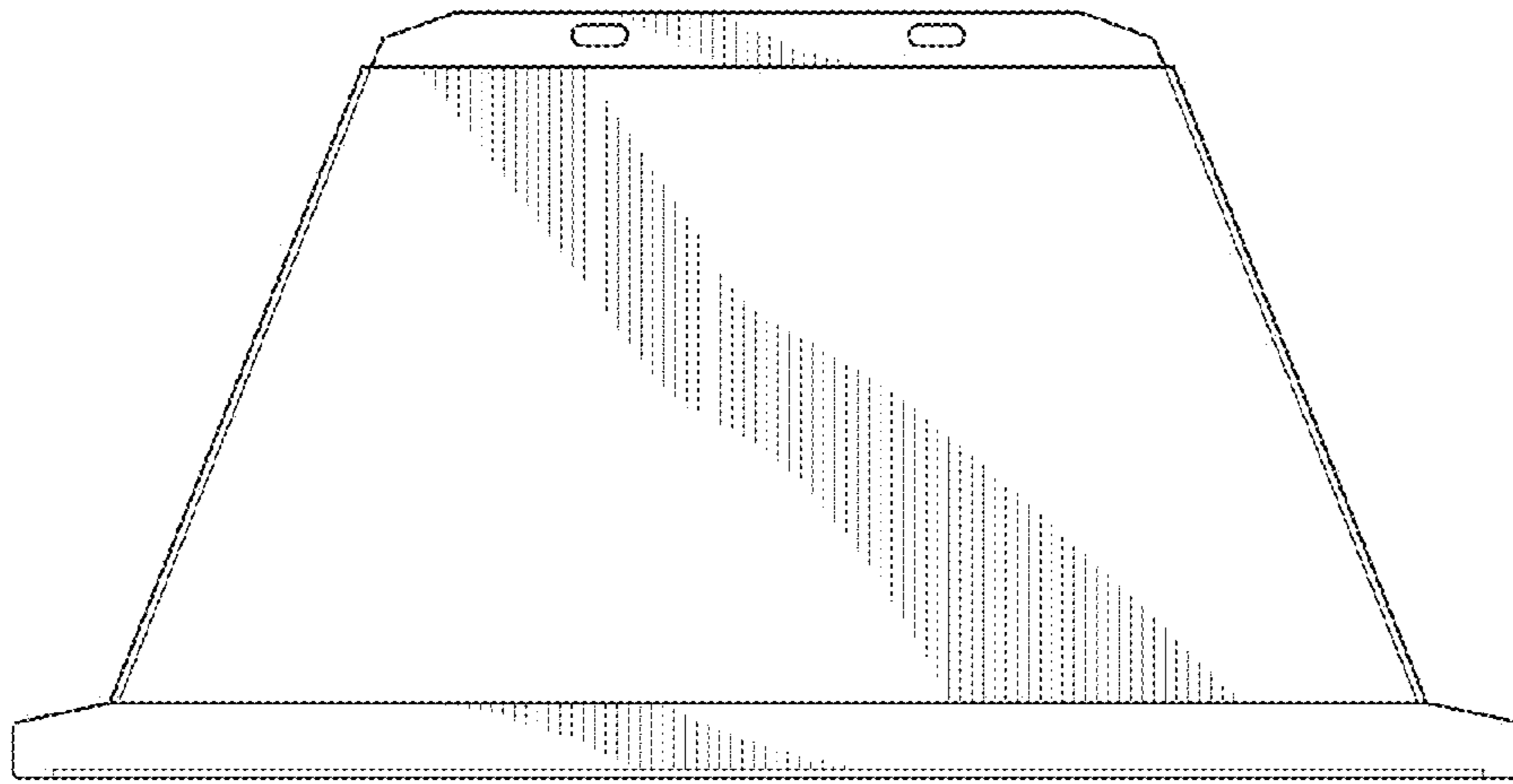


FIG. 2

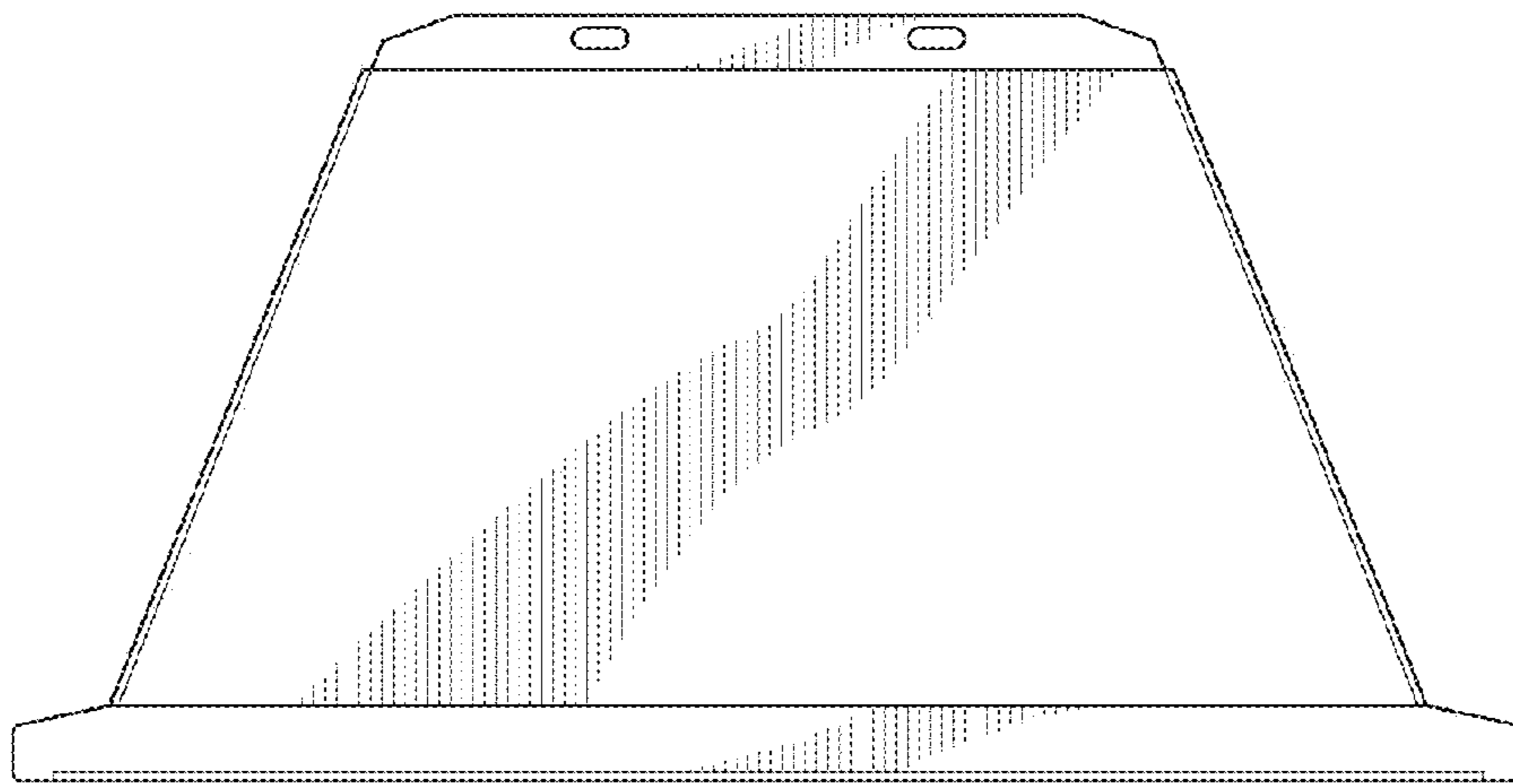


FIG. 3

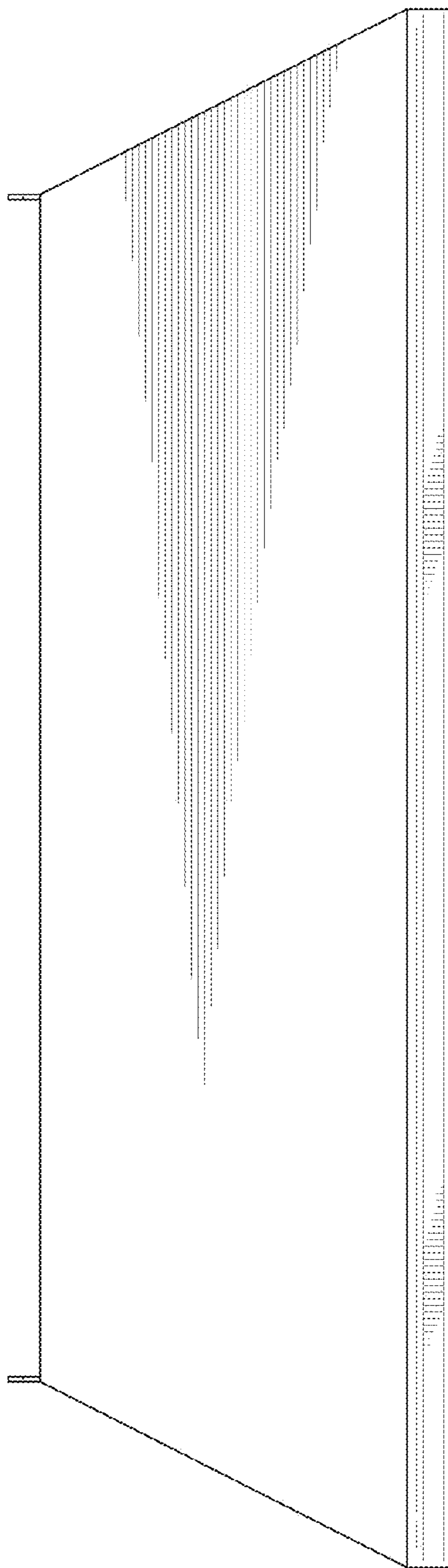


FIG. 4

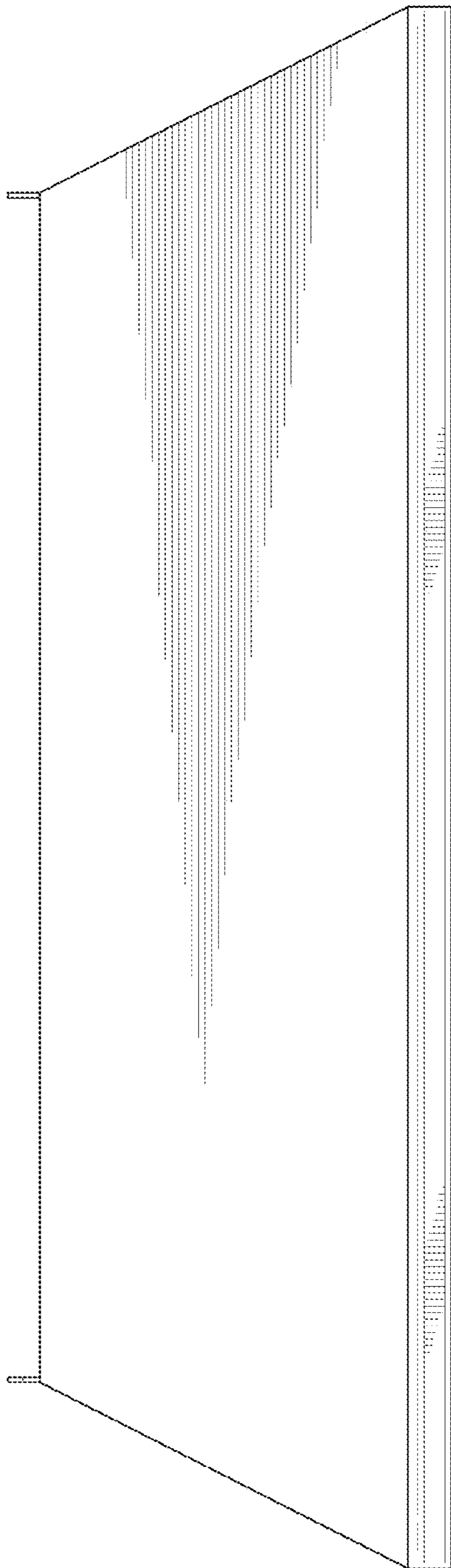


FIG. 5

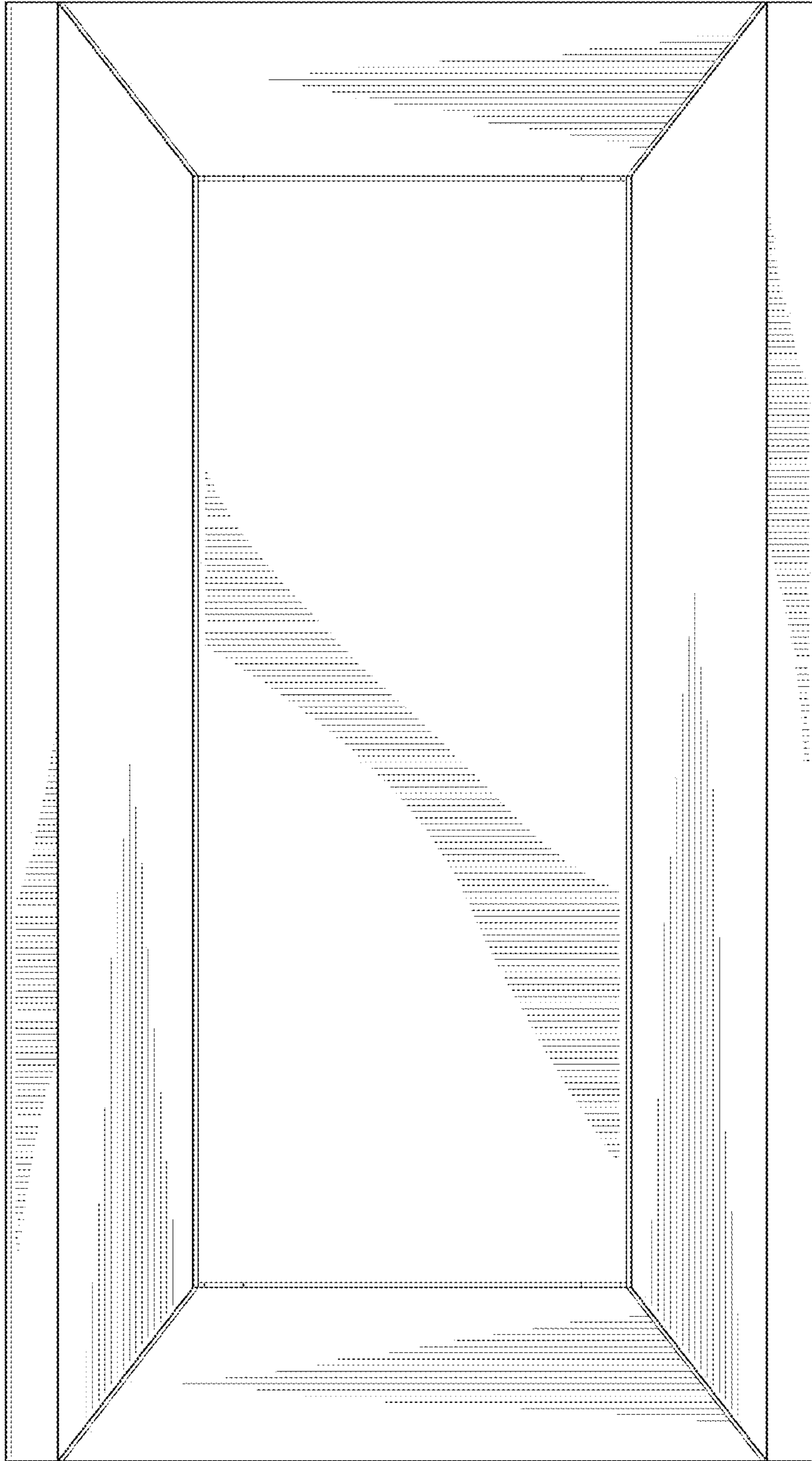


FIG. 6



FIG. 7