



US00D725817S

(12) **United States Design Patent**  
**Schaefer**

(10) **Patent No.:** **US D725,817 S**  
(45) **Date of Patent:** **\*\* Mar. 31, 2015**

(54) **LIGHT FIXTURE**

(75) Inventor: **Douglas Scott Schaefer**, Port  
Washington, WI (US)

(73) Assignee: **Manning Lighting, Inc.**, Sheboygan, WI  
(US)

(\*\*) Term: **14 Years**

(21) Appl. No.: **29/420,328**

(22) Filed: **May 8, 2012**

(51) **LOC (10) Cl.** ..... **26-99**

(52) **U.S. Cl.**  
USPC ..... **D26/118**

(58) **Field of Classification Search**  
USPC ..... D26/51, 56, 57, 61, 72-91, 92-102,  
D26/113, 118; 362/3, 11, 12, 16, 145,  
362/147-150, 217.01-217.12, 257, 291,  
362/296.01, 317, 362-368, 558, 563, 564,  
362/576, 805-809, 811; D11/131,  
D11/142-144, 153; D21/342, 352, 465,  
D21/467, 483, 484, 499

See application file for complete search history.

(56) **References Cited**

**U.S. PATENT DOCUMENTS**

1,843,781	A	2/1932	Pearson	
D121,307	S *	7/1940	Segil	D26/75
D122,864	S *	10/1940	Dreyfuss	D26/75
D124,078	S *	12/1940	Reeve	D26/75
D194,963	S	4/1963	Atkins	
4,385,343	A	5/1983	Plumly	
D346,239	S *	4/1994	Vamberszky et al.	D26/118
5,636,914	A	6/1997	Trusiani	
D383,864	S *	9/1997	Billings	D26/51
D386,282	S *	11/1997	Littman et al.	D26/88
D390,996	S *	2/1998	Lin	D26/85
5,786,665	A	7/1998	Ohtsuki et al.	
D405,208	S *	2/1999	Walz	D26/86
D417,744	S *	12/1999	Littman et al.	D26/88

D428,516	S *	7/2000	Reo et al.	D26/118
D430,331	S *	8/2000	Bleisch	D26/91
D456,928	S *	5/2002	Russello et al.	D26/85
D462,293	S *	9/2002	Bates et al.	D11/146
D462,294	S *	9/2002	Walsh	D11/146
D470,967	S *	2/2003	Rose	D26/81
6,513,942	B2	2/2003	Ludwig et al.	
D473,001	S *	4/2003	Hoernig	D26/80
D499,201	S *	11/2004	Parres	D26/90
D500,165	S *	12/2004	Parres	D26/144
6,893,134	B2	5/2005	Takahashi et al.	
6,945,668	B1	9/2005	Orlov et al.	
D536,819	S *	2/2007	Krahe, II	D26/75
D545,476	S *	6/2007	Friedman	D26/76
7,246,932	B2	7/2007	Burtsev et al.	
D551,794	S *	9/2007	De'Armond	D26/85
D563,010	S *	2/2008	Pickett	D26/59
D574,547	S *	8/2008	Chandler	D26/88
D577,850	S *	9/2008	Nicholas	D26/88
D582,091	S *	12/2008	Nicholas	D26/88
7,473,015	B1 *	1/2009	Chen	362/367

(Continued)

*Primary Examiner* — Garth Rademaker

*Assistant Examiner* — Llorellys Martinez-Rivera

(74) *Attorney, Agent, or Firm* — Boyle Fredrickson, S.C.

(57) **CLAIM**

The ornamental design for a light fixture, substantially as shown and described.

**DESCRIPTION**

FIG. 1 is a front elevation view of a light fixture showing my new design, the rear elevation view being a mirror image thereof;

FIG. 2 is a top plan view thereof, shown at a reduced scale;

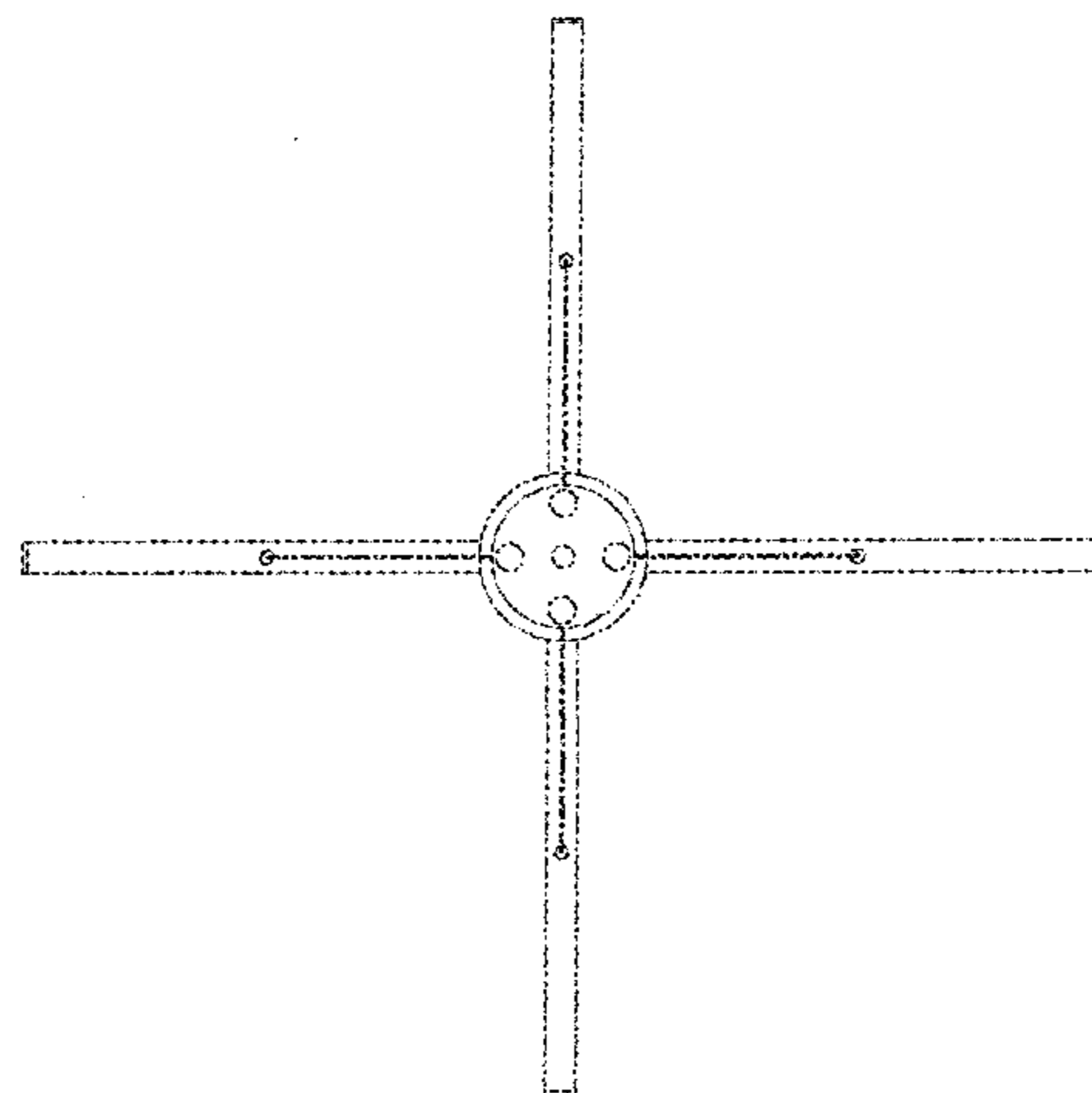
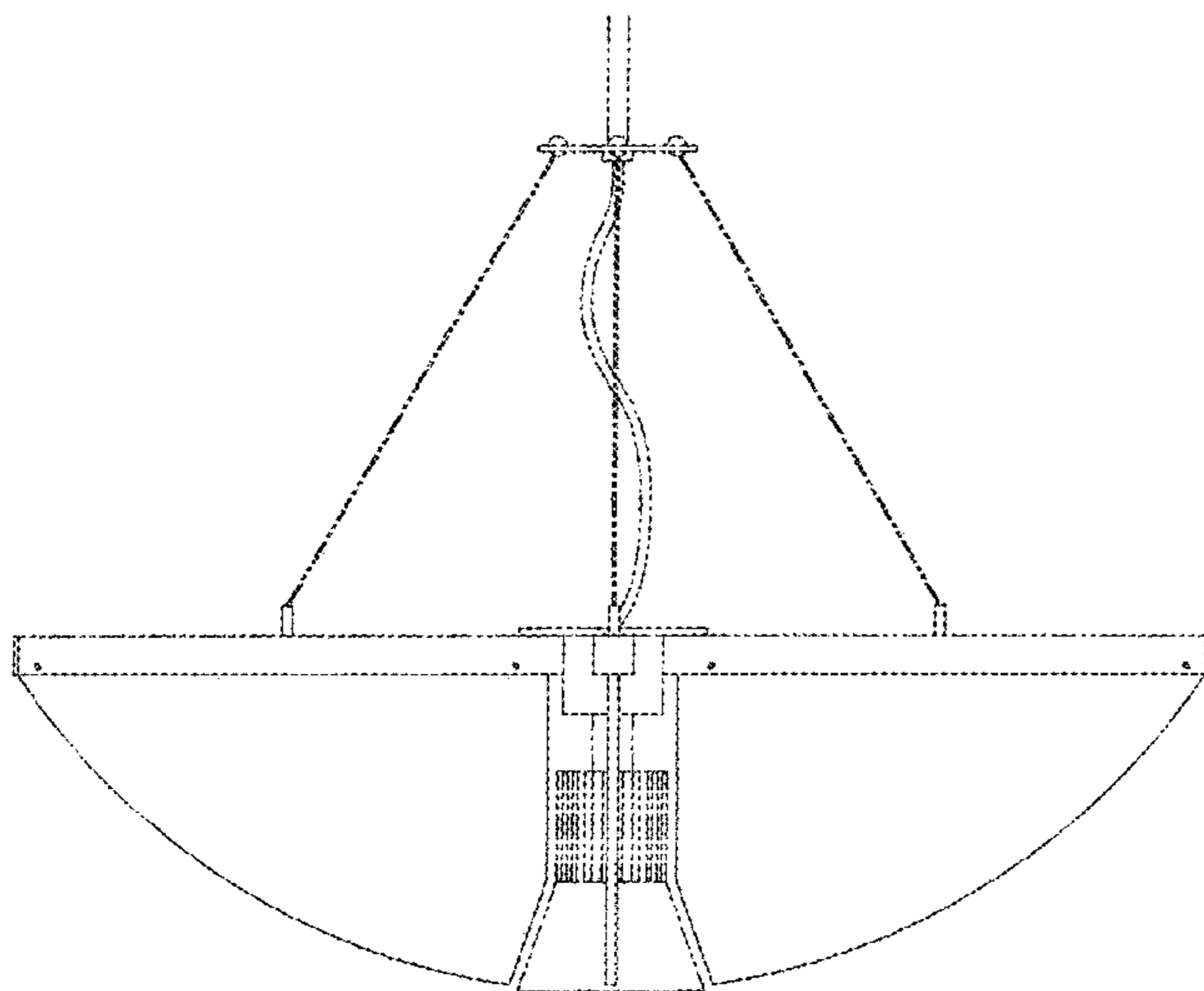
FIG. 3 is a right side elevation view thereof;

FIG. 4 is a left side elevation view thereof; and,

FIG. 5 is a bottom plan view thereof.

The broken lines shown in FIGS. 1 through 5 represent environmental structure only and form no part of the claimed design.

**1 Claim, 3 Drawing Sheets**



(56)

**References Cited**

U.S. PATENT DOCUMENTS

D587,842 S *	3/2009	Rhodes	.....	D26/142	7,703,963 B2	4/2010	Feng et al.	
D592,796 S *	5/2009	Chandler	.....	D26/90	D626,273 S *	10/2010	Verelst	..... D26/85
7,607,812 B2	10/2009	Kim			D668,373 S *	10/2012	Martin	..... D26/88
D604,006 S *	11/2009	Silver	.....	D26/88	D700,733 S *	3/2014	Ricci	..... D26/88
D606,702 S *	12/2009	Chandler	.....	D26/88	D705,474 S *	5/2014	Philips	..... D26/76
					2003/0123246 A1	7/2003	Parker	
					2007/0211493 A1	9/2007	Fang et al.	
					2011/0063855 A1	3/2011	Vissenberg	

\* cited by examiner

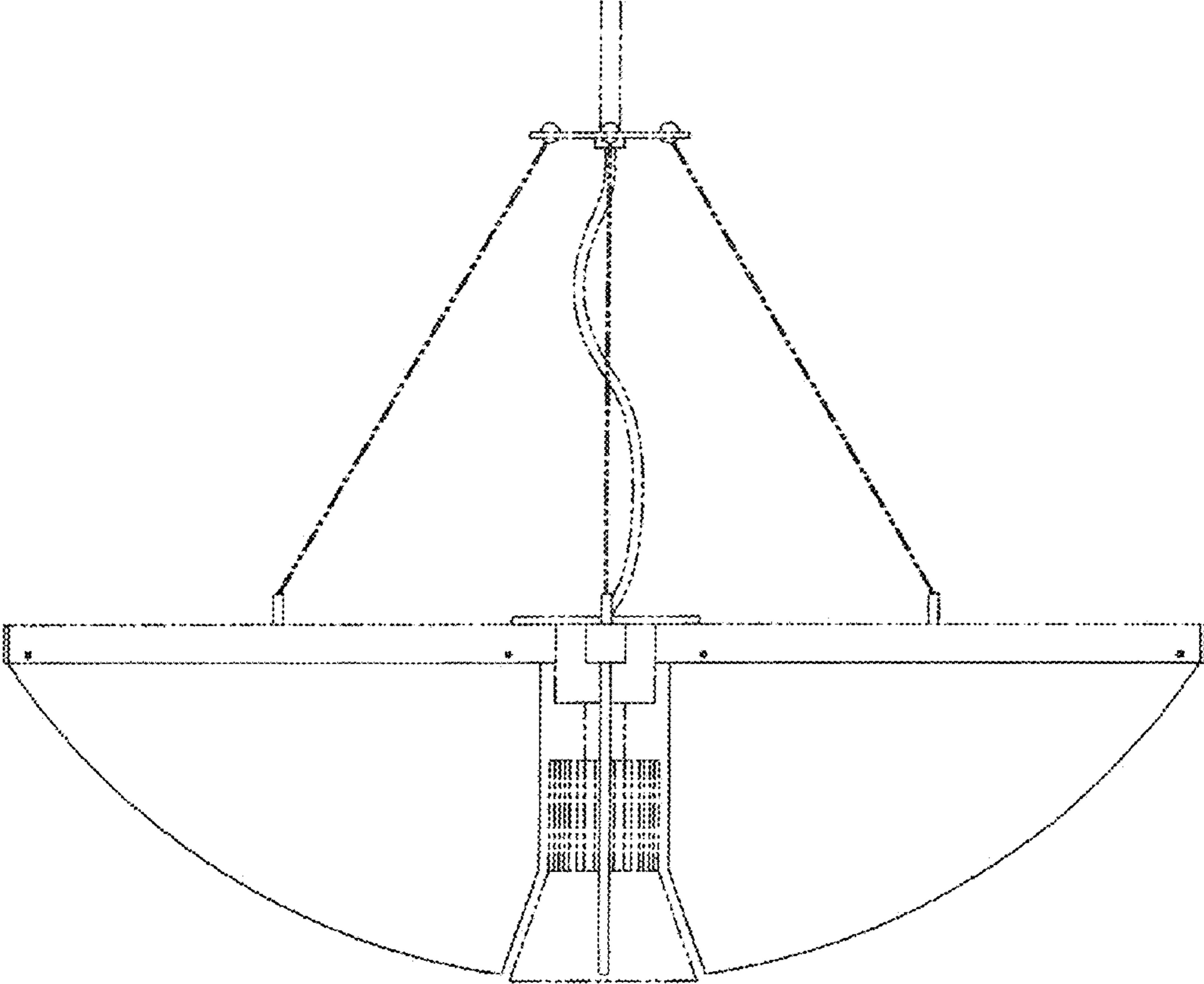


FIG. 1

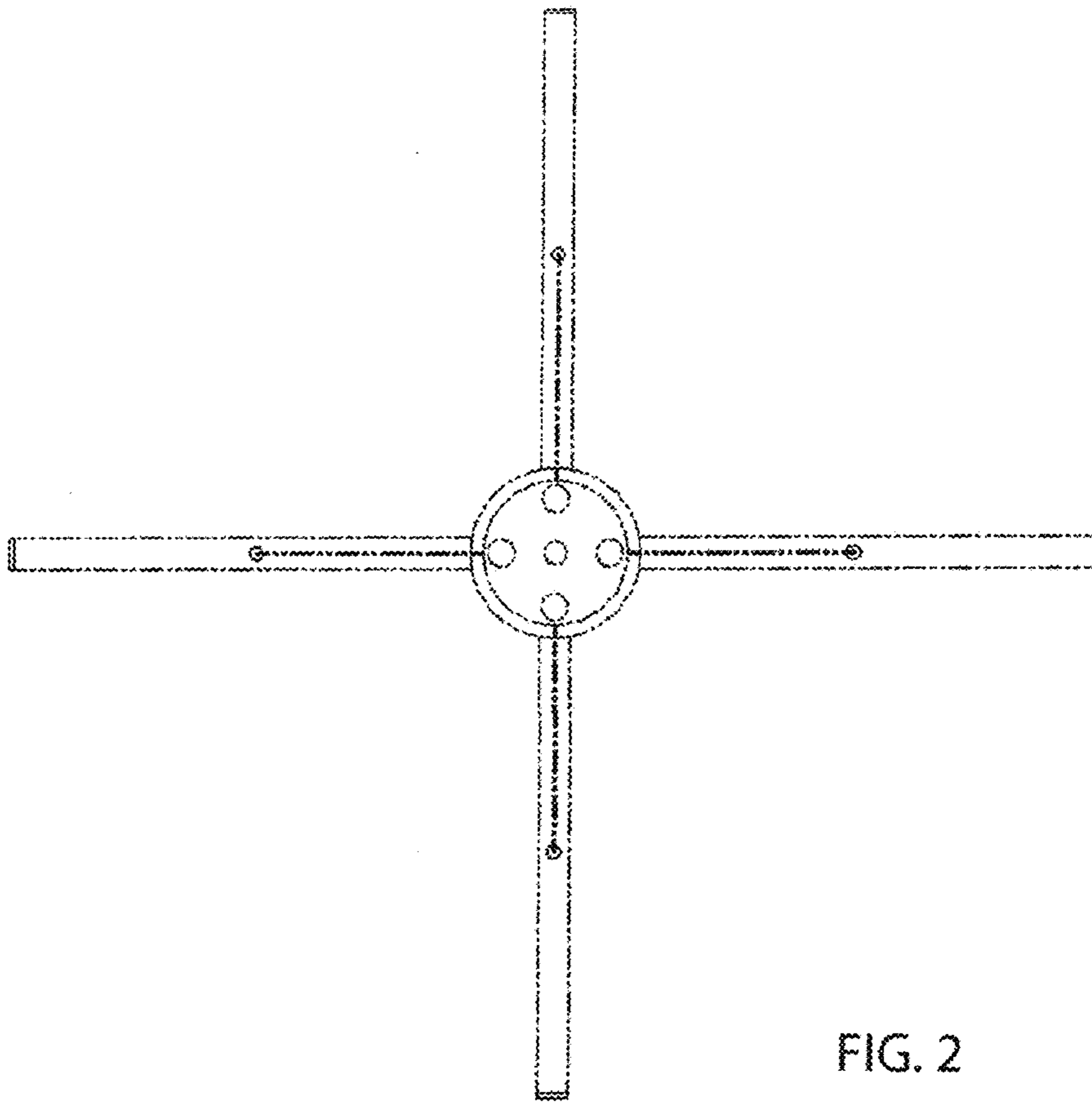


FIG. 2

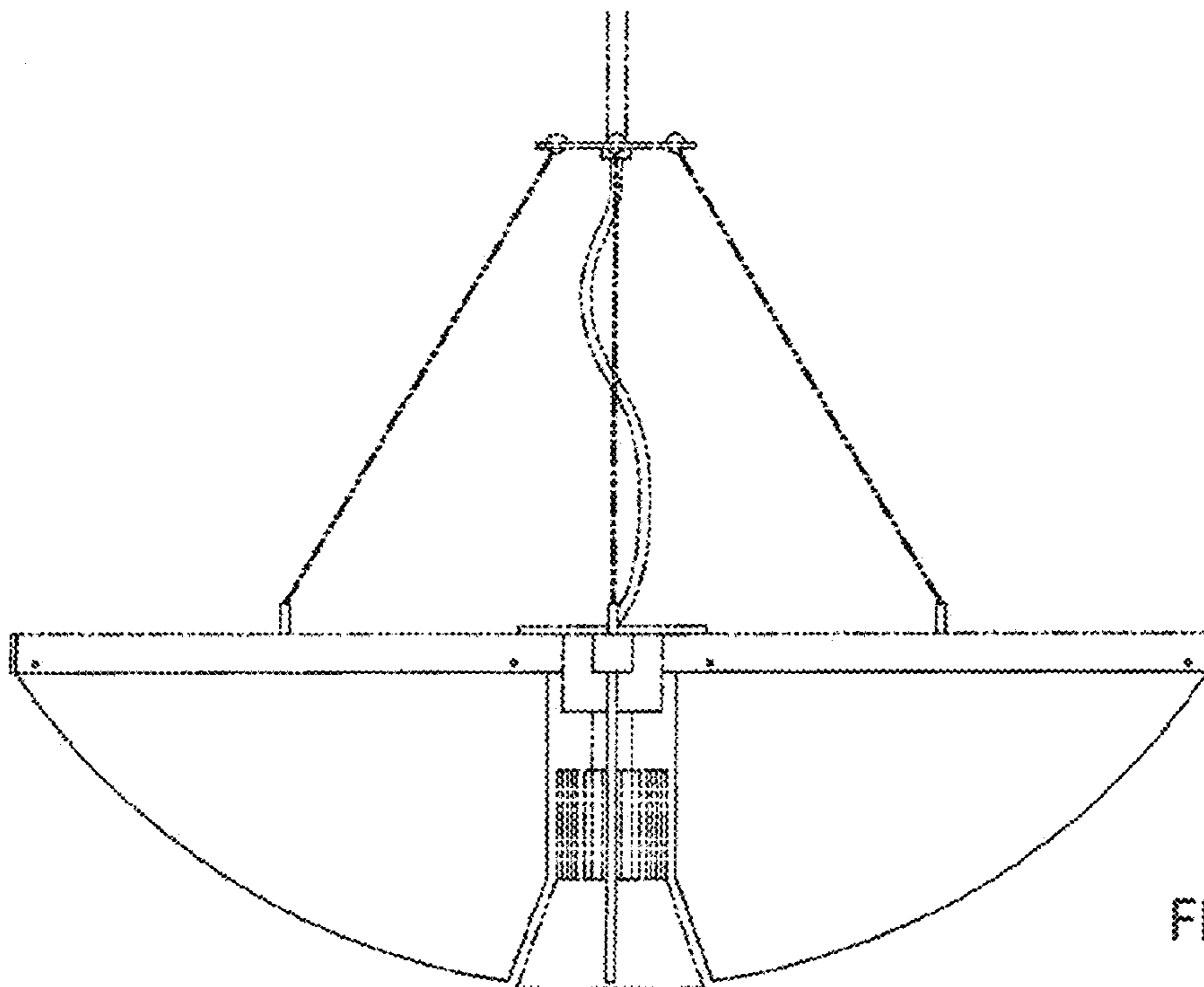


FIG. 3

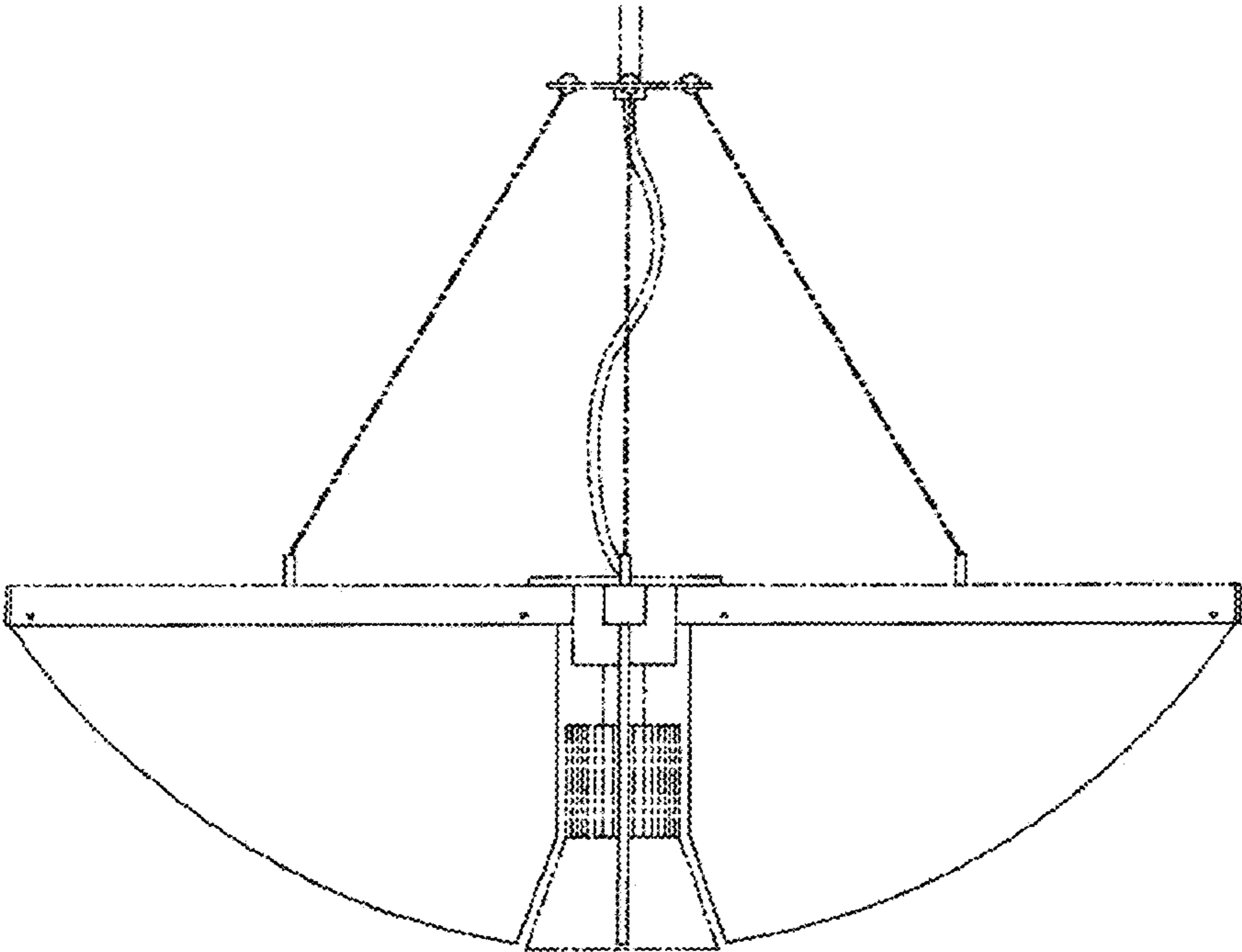


FIG. 4

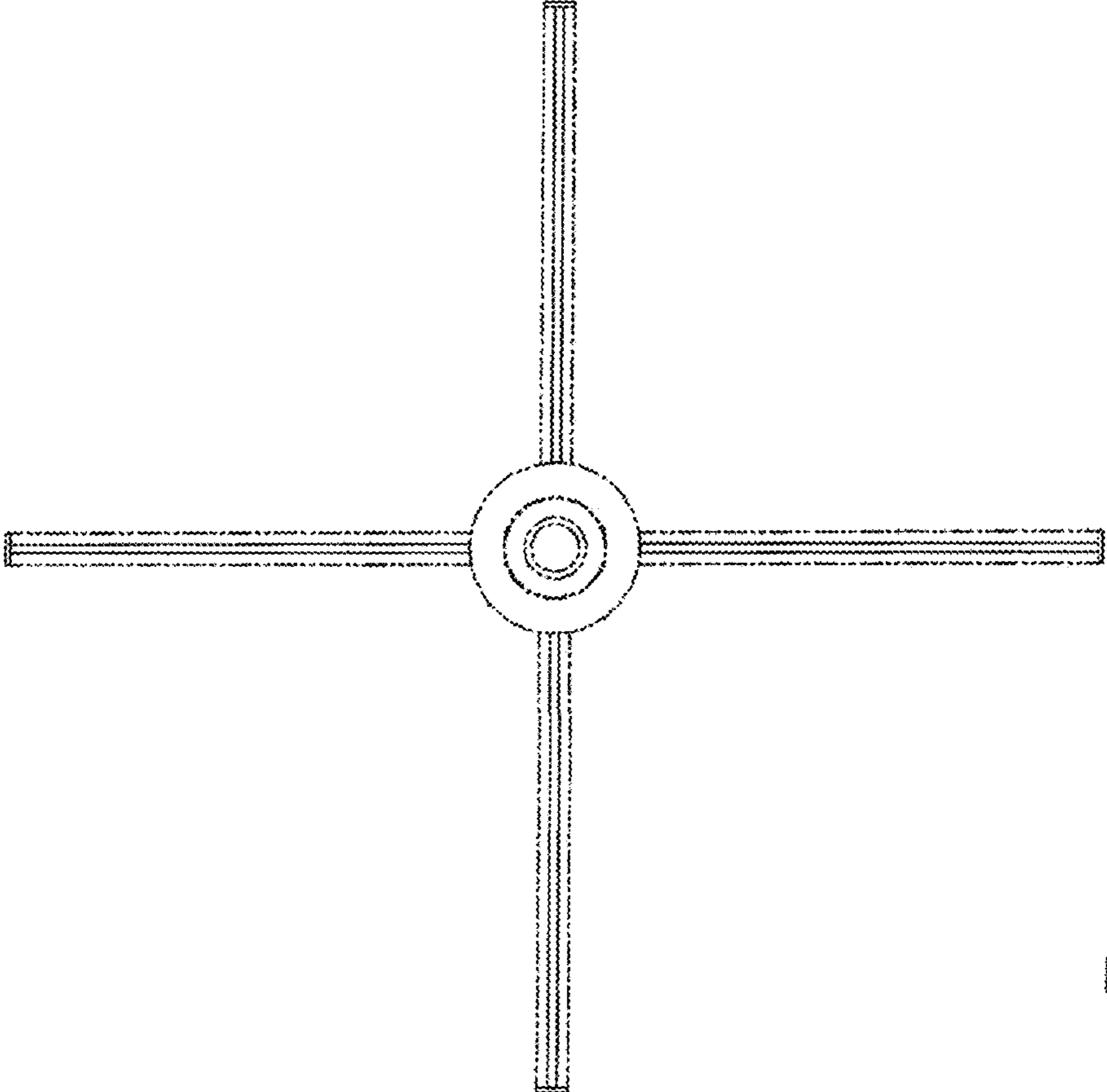


FIG. 5