



US00D725816S

(12) **United States Design Patent**
Fissell

(10) **Patent No.:** **US D725,816 S**

(45) **Date of Patent:** **** Mar. 31, 2015**

(54) **TRANSPARENT TAPERED OPEN-ENDED
SLIP-COVER SURROUNDING AN
ILLUMINATING BATON**

(76) Inventor: **Jeremy J. Fissell**, San Luis Obispo, CA
(US)

(**) Term: **14 Years**

(21) Appl. No.: **29/429,449**

(22) Filed: **Aug. 10, 2012**

(51) **LOC (10) Cl.** **26-99**

(52) **U.S. Cl.**
USPC **D26/113**

(58) **Field of Classification Search**

CPC F21Y 2101/00; F21S 2/005; F21S 2/00;
F21S 4/00; F21S 4/003; F21S 4/008; F21V
7/043; F21V 15/01; F21V 19/0075; F21V
19/008; G09F 13/04

USPC D26/24, 25, 31, 37, 40, 42, 46, 49, 56,
D26/104, 113, 118, 119, 120, 122, 124, 128,
D26/137

See application file for complete search history.

(56) **References Cited**

U.S. PATENT DOCUMENTS

4,245,282	A *	1/1981	Sokol	362/84
5,079,678	A *	1/1992	Parker	362/84
5,081,568	A *	1/1992	Dong et al.	362/184
5,980,063	A *	11/1999	Ford et al.	362/186
6,283,612	B1 *	9/2001	Hunter	362/240
6,479,936	B1 *	11/2002	Martinez	313/635
6,599,222	B2 *	7/2003	Wince	482/106
D485,869	S *	1/2004	Miletich	D21/399
7,073,917	B2 *	7/2006	VanderSchuit	362/96
7,129,625	B2 *	10/2006	Marsh	313/17
D535,773	S *	1/2007	Kessler	D26/60
7,216,999	B2 *	5/2007	Kaplan et al.	362/34
D563,582	S *	3/2008	Levine	D26/63
7,395,629	B1 *	7/2008	Thomas	43/17.5
D576,749	S *	9/2008	Kitagawa et al.	D26/3
7,594,738	B1 *	9/2009	Lin et al.	362/249.02
7,652,588	B2 *	1/2010	Lopez Barbarin	340/815.42
7,687,700	B1 *	3/2010	Torres	84/422.4

D623,321	S *	9/2010	Levine	D26/25
D625,032	S *	10/2010	Mollaert et al.	D26/3
D625,860	S *	10/2010	Bertken	D26/37
7,946,729	B2 *	5/2011	Ivey et al.	362/254
D639,357	S *	6/2011	Brun	D21/679
8,235,545	B2 *	8/2012	Zheng et al.	362/218
D672,894	S *	12/2012	Bayat et al.	D26/42
8,529,087	B2 *	9/2013	Bertken	362/184

(Continued)

Primary Examiner — Kevin Rudzinski

(74) *Attorney, Agent, or Firm* — Platinum Patents; Jordan Kuhn

(57) **CLAIM**

The ornamental design for a transparent tapered open-ended slip-cover surrounding an illuminating baton, as shown and described.

DESCRIPTION

FIG. 1 is a perspective view of the transparent tapered open-ended slip-cover surrounding an illuminated baton showing our new design.

FIG. 2 is a front view of the transparent tapered open-ended slip-cover surrounding an illuminated baton thereof;

FIG. 3 is a back view of the transparent tapered open-ended slip-cover surrounding an illuminated baton thereof;

FIG. 4 is a right side view of the transparent tapered open-ended slip-cover surrounding an illuminated baton thereof;

FIG. 5 is a left side view of the transparent tapered open-ended slip-cover surrounding an illuminated baton thereof;

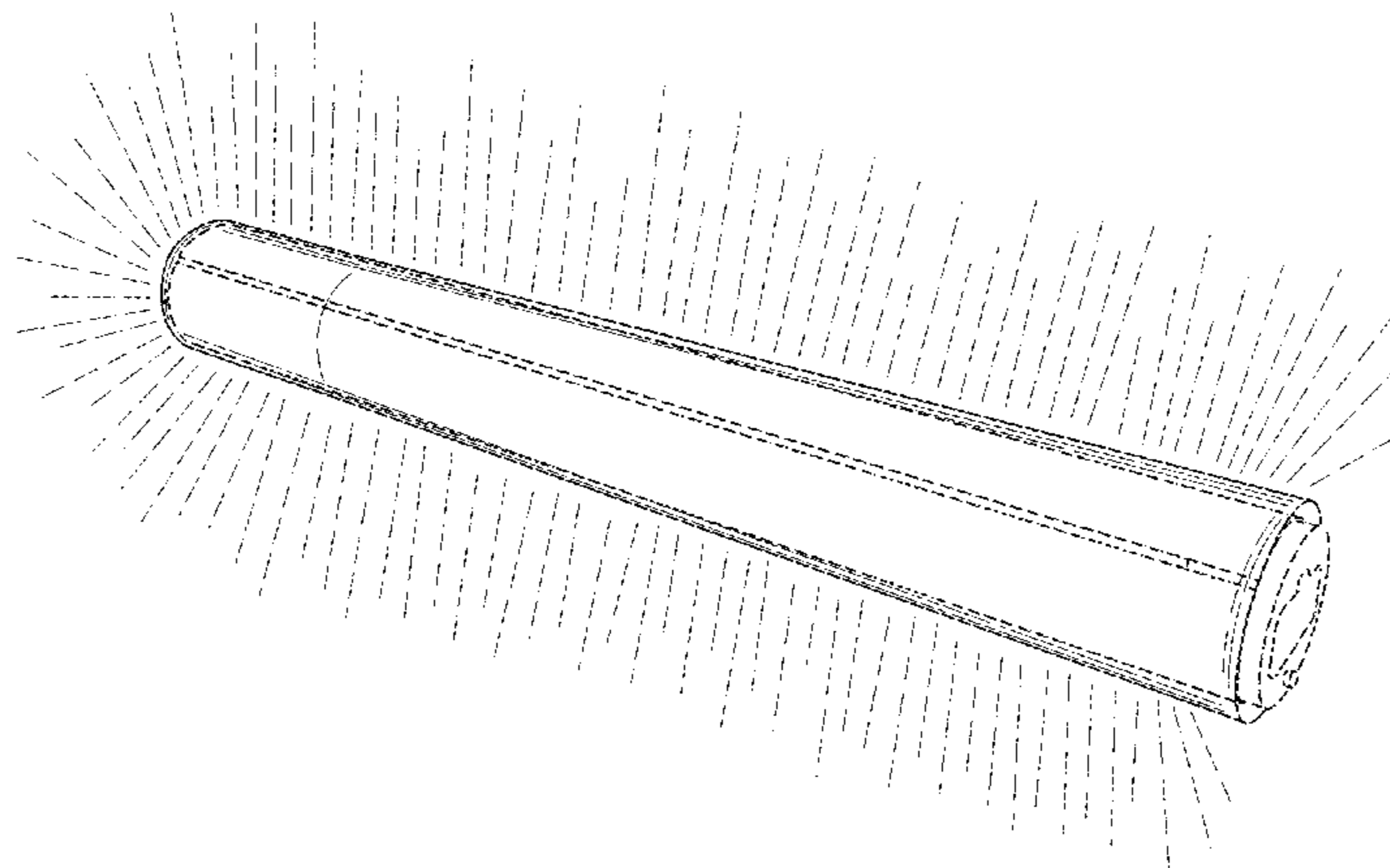
FIG. 6 is an enlarged top view of the transparent tapered open-ended slip-cover surrounding an illuminated baton thereof;

FIG. 7 is an enlarged bottom view of transparent tapered open-ended slip-cover surrounding an illuminated baton thereof; and,

FIG. 8 is an additional perspective view of the transparent tapered open-ended slip-cover thereof.

All small broken lines are directed to environment and are for illustrative purposes only. The large broken radiating lines indicate illumination. None of the broken lines form a part of the claimed design.

1 Claim, 8 Drawing Sheets



(56)

References Cited

U.S. PATENT DOCUMENTS

D694,348 S * 11/2013 Rankin D21/679
8,703,261 B2 * 4/2014 Lien 428/36.9
2002/0145876 A1 * 10/2002 Juang 362/378
2003/0161151 A1 * 8/2003 Liu 362/249
2005/0110387 A1 * 5/2005 Landry 313/489
2006/0146513 A1 * 7/2006 Liu 362/34

2006/0203478 A1 * 9/2006 Waters 362/217
2008/0127981 A1 * 6/2008 Brooks et al. 128/207.15
2009/0154167 A1 * 6/2009 Lin 362/294
2009/0323315 A1 * 12/2009 Tuite et al. 362/98
2011/0214342 A1 * 9/2011 Burgi 44/535
2011/0241555 A1 * 10/2011 Lin et al. 315/159
2013/0200805 A1 * 8/2013 Scapa et al. 315/131
2014/0063793 A1 * 3/2014 Hasan et al. 362/184

* cited by examiner

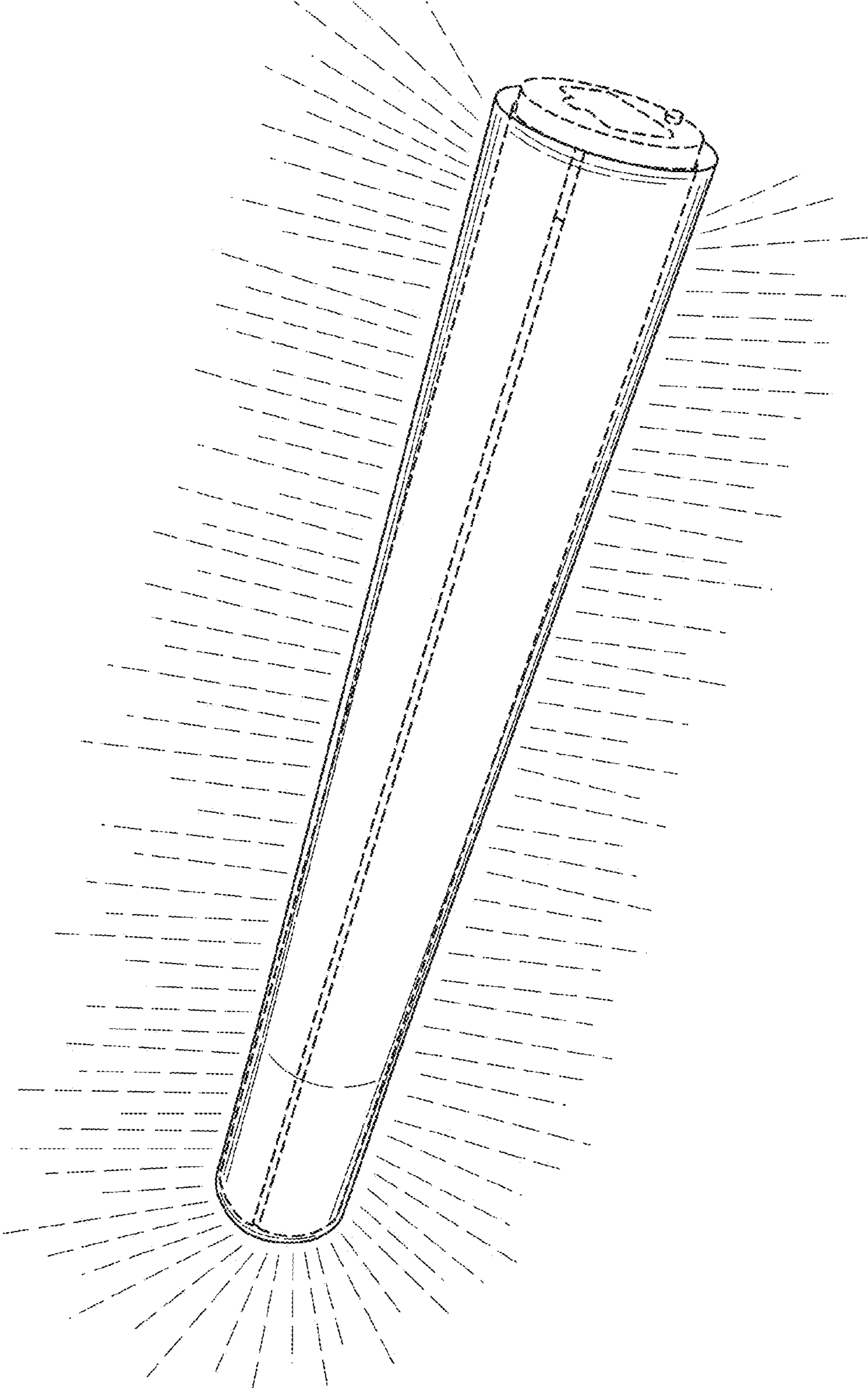


FIG. 1

FIG. 2

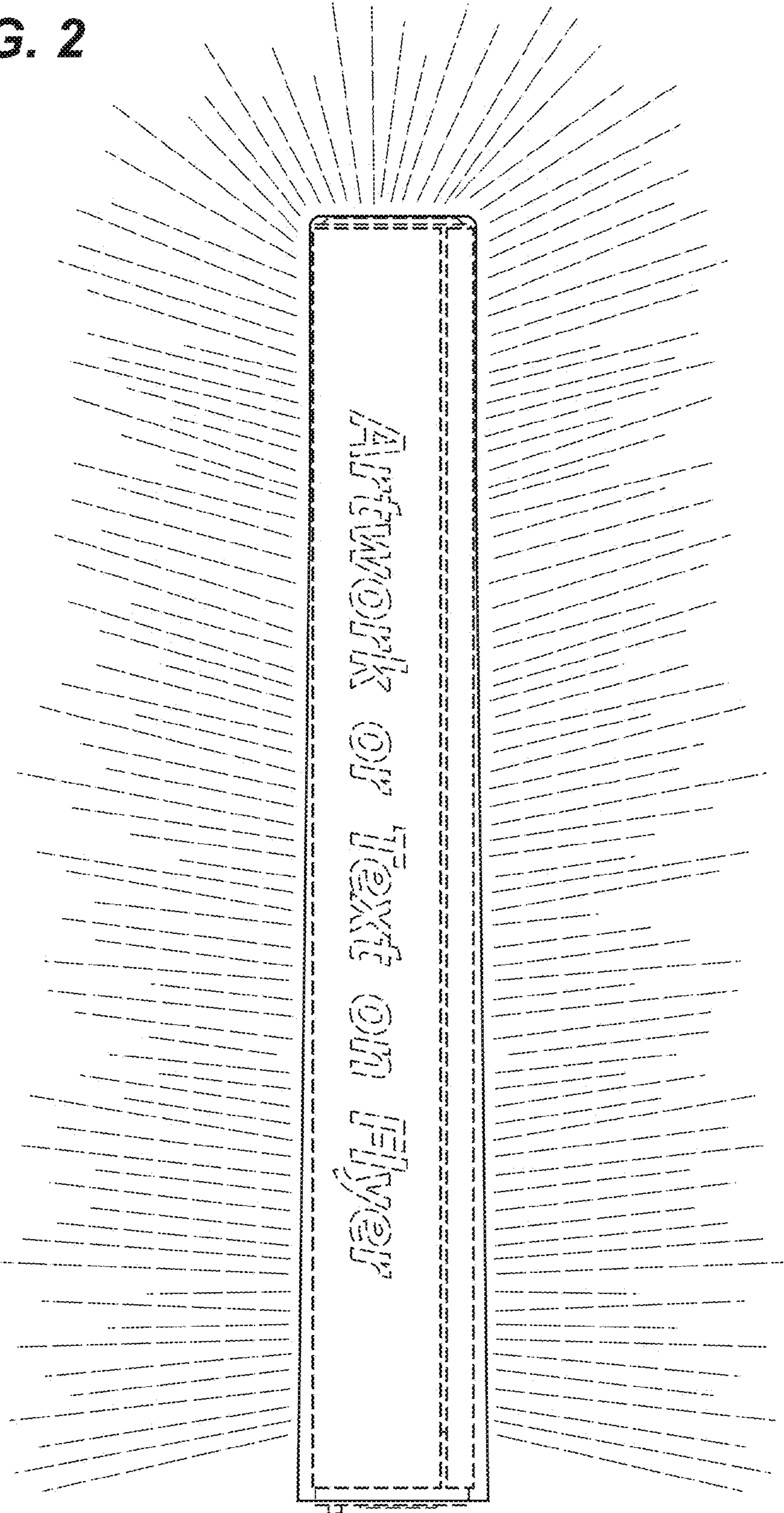


FIG. 3

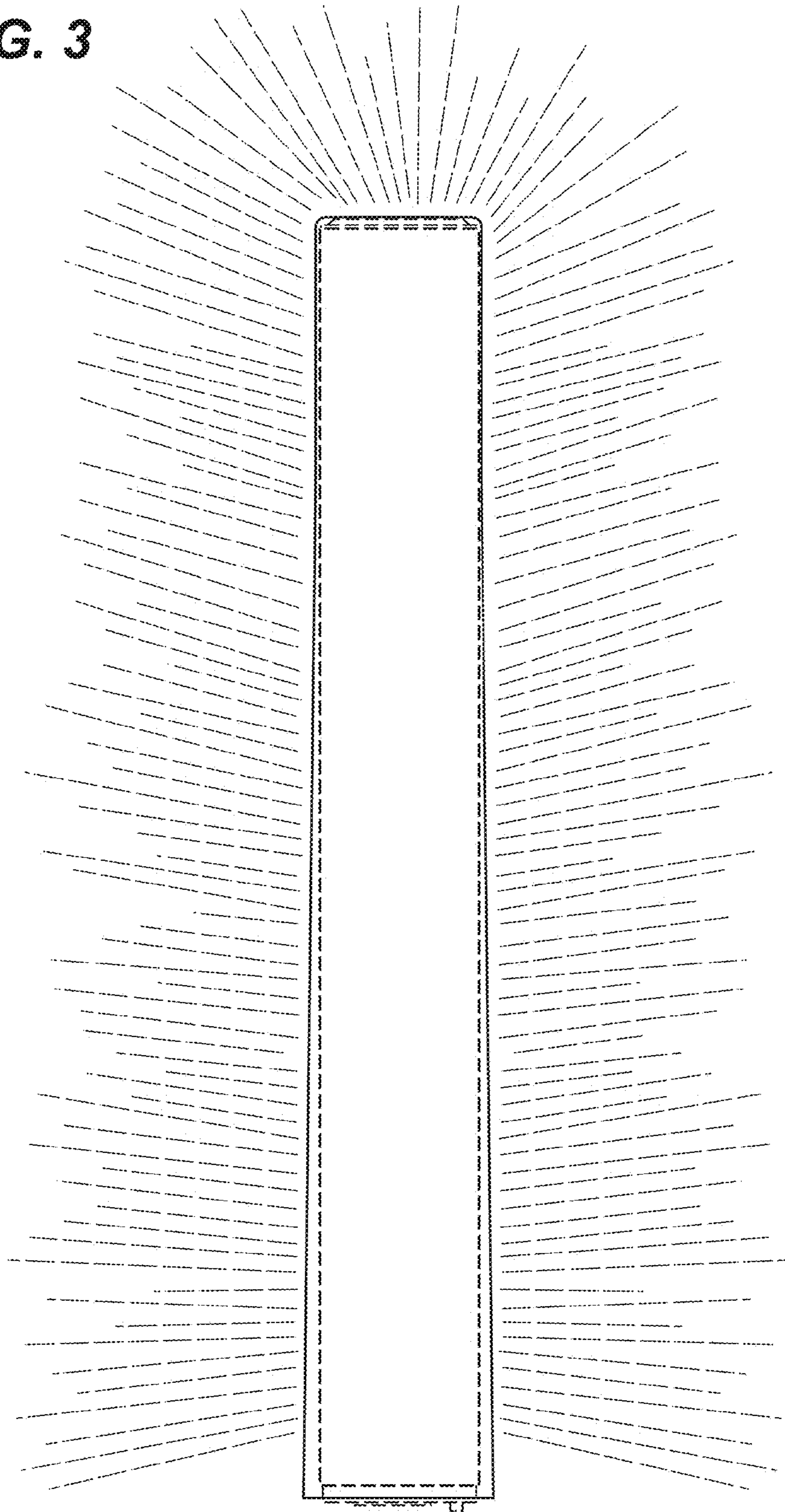


FIG. 4

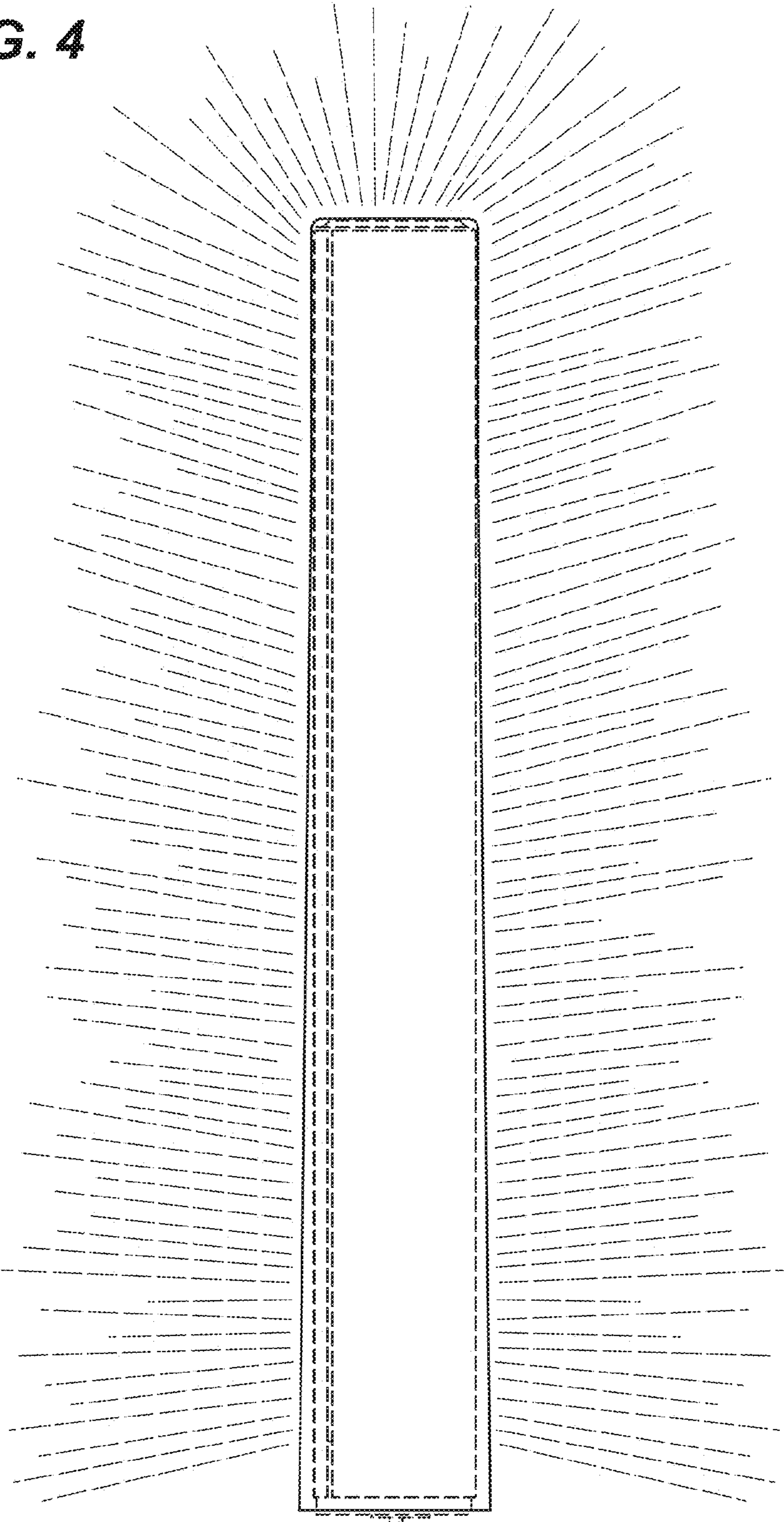


FIG. 5

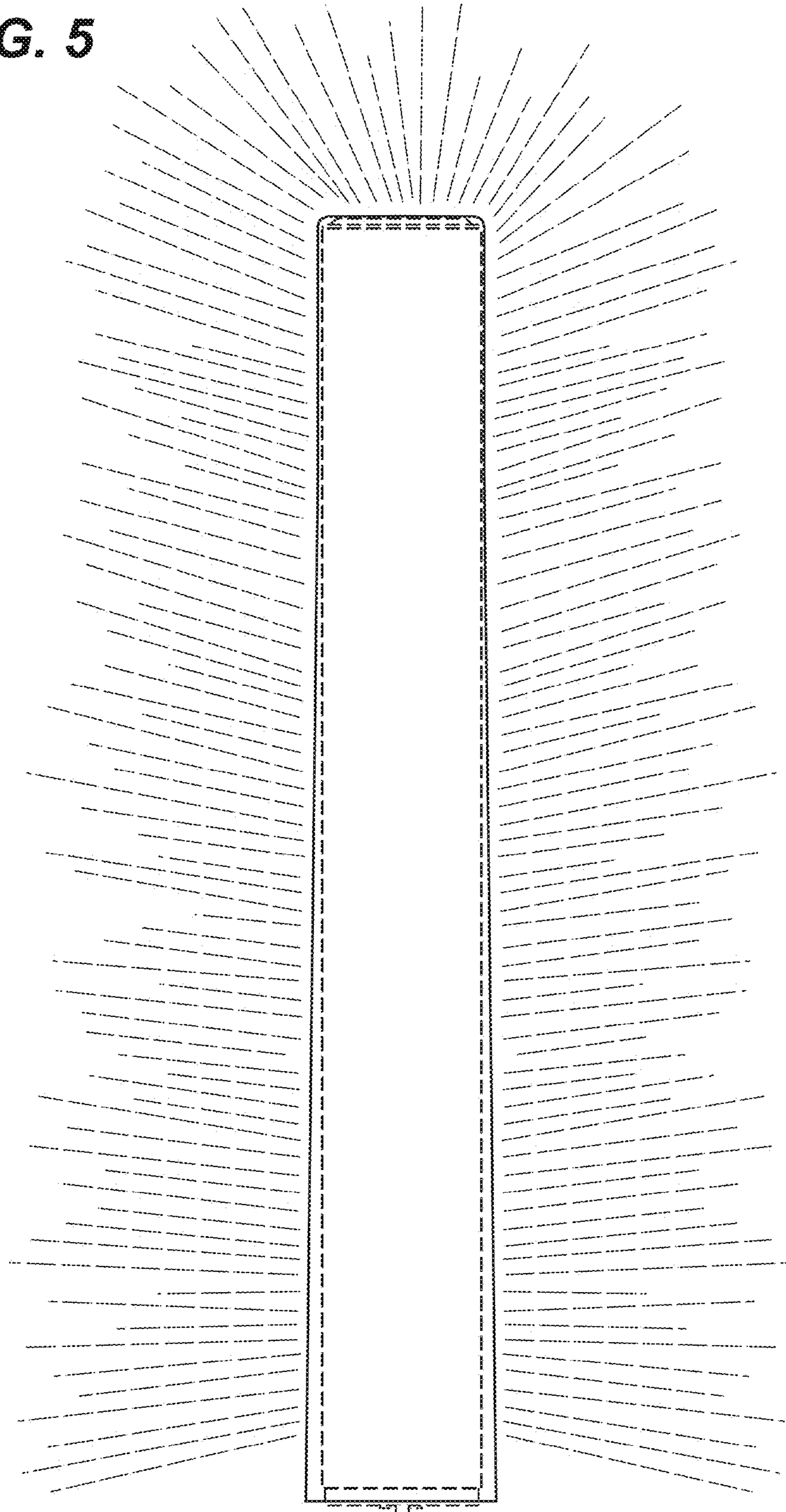


FIG. 6

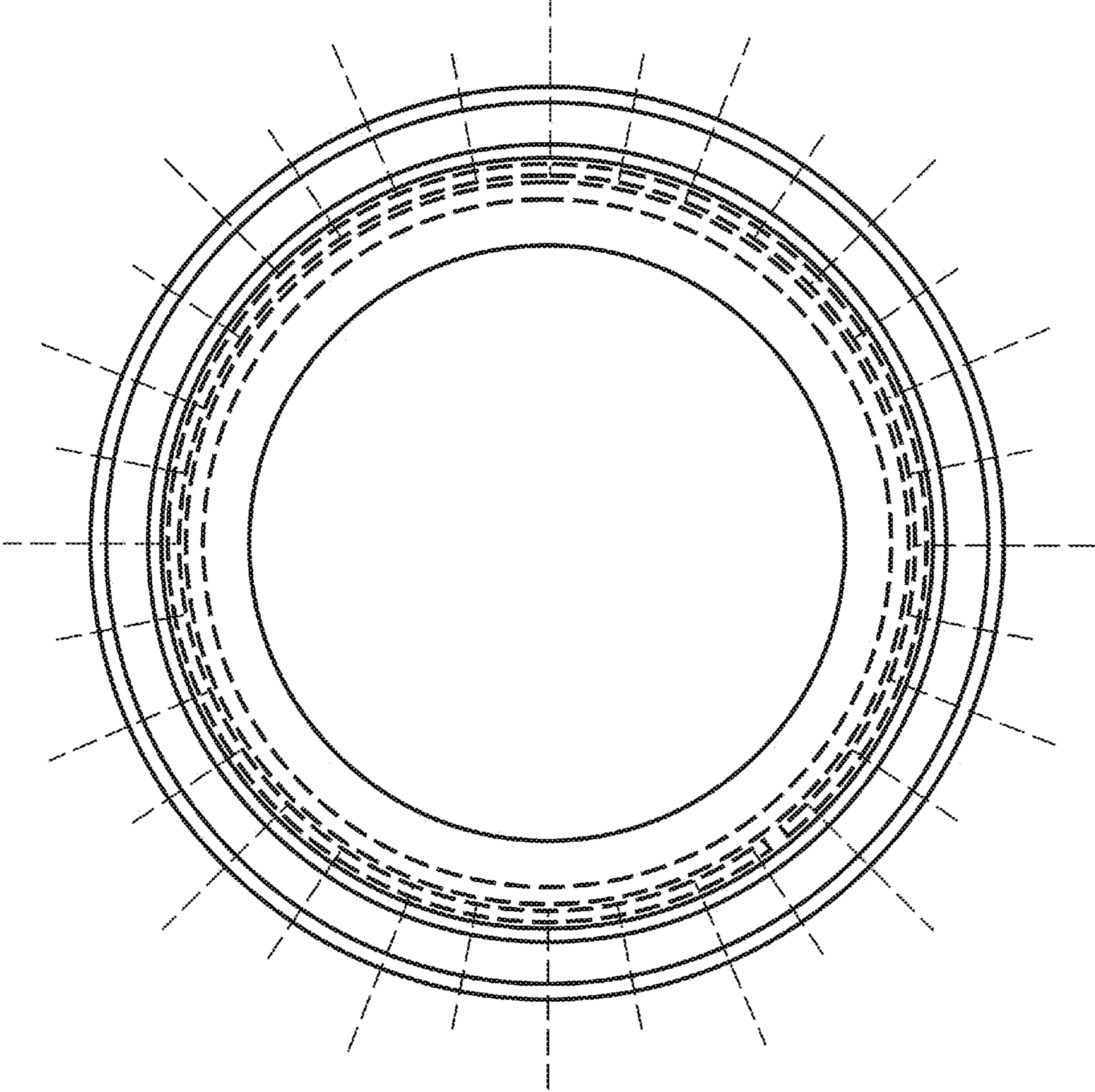
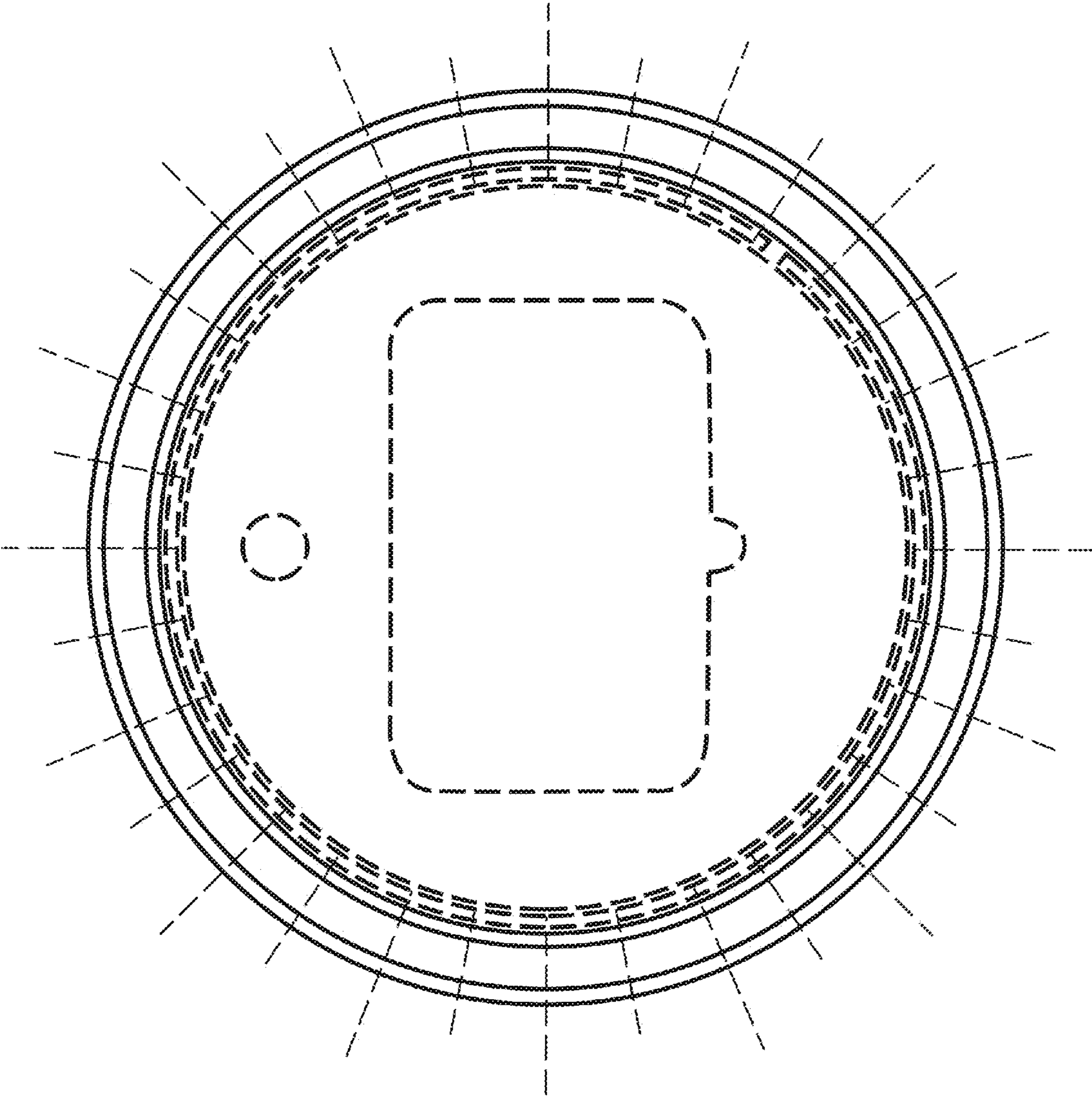


FIG. 7



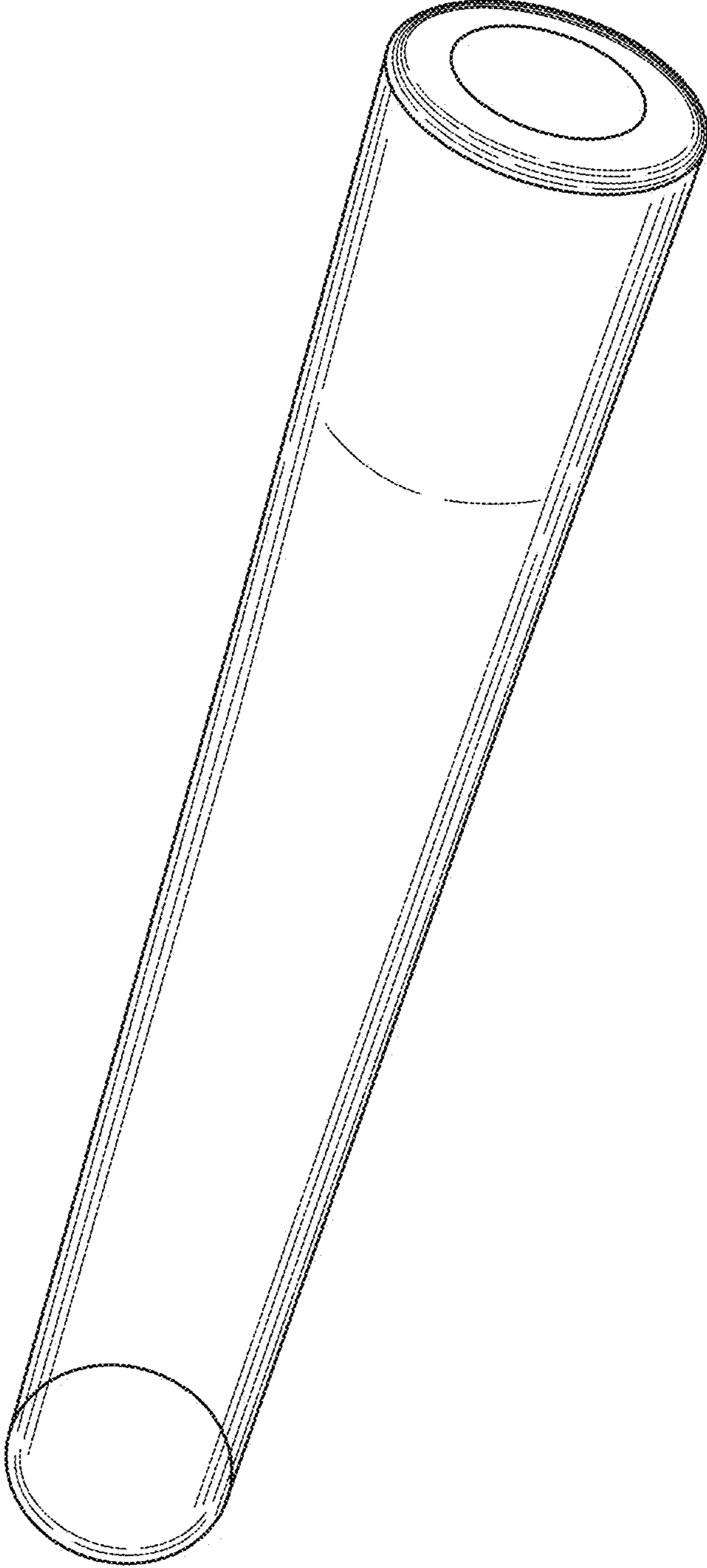


FIG. 8