



US00D725815S

(12) **United States Design Patent**
Fissell

(10) **Patent No.:** **US D725,815 S**
(45) **Date of Patent:** **** Mar. 31, 2015**

(54) **TRANSPARENT TAPERED SLIP COVER
HOLDING A ROLLED FLYER
SURROUNDING AN ILLUMINATING BATON**

D623,321 S * 9/2010 Levine D26/25
D625,032 S * 10/2010 Mollaert et al. D26/3
D625,860 S * 10/2010 Bertken D26/37

(Continued)

(76) Inventor: **Jeremy J. Fissell**, San Luis Obispo, CA
(US)

Primary Examiner — Kevin Rudzinski

(74) *Attorney, Agent, or Firm* — Platinum Patents; Jordan
Kuhn

(**) Term: **14 Years**

(57) **CLAIM**

(21) Appl. No.: **29/429,447**

The ornamental design for a transparent tapered slip cover holding a rolled flyer surrounding an illuminated baton, as shown and described.

(22) Filed: **Aug. 10, 2012**

(51) **LOC (10) Cl.** **26-99**

(52) **U.S. Cl.**

DESCRIPTION

USPC **D26/113**

(58) **Field of Classification Search**

CPC F21Y 2101/00; F21S 2/005; F21S 2/00;
F21S 4/00; F21S 4/003; F21S 4/008; F21V
7/043; F21V 15/01; F21V 19/0075; F21V
19/008; G09F 13/04

FIG. 1 is a perspective view of the transparent tapered slip cover holding a rolled flyer surrounding an illuminated baton showing our new design.

FIG. 2 is a perspective view of the transparent tapered slip cover holding a rolled flyer shown with the illuminated baton removed thereof;

USPC D26/24, 25, 31, 37, 40, 42, 46, 49, 56,
D26/104, 113, 118, 119, 120, 122, 124, 128,
D26/137

FIG. 3 is a front view of the transparent tapered slip cover holding a rolled flyer surrounding an illuminated baton thereof;

See application file for complete search history.

FIG. 4 is a back view of the transparent tapered slip cover holding a rolled flyer surrounding an illuminated baton thereof;

(56) **References Cited**

U.S. PATENT DOCUMENTS

4,245,282 A * 1/1981 Sokol 362/84
5,079,678 A * 1/1992 Parker 362/84
5,081,568 A * 1/1992 Dong et al. 362/184
5,980,063 A * 11/1999 Ford et al. 362/186
6,283,612 B1 * 9/2001 Hunter 362/240
6,479,936 B1 * 11/2002 Martinez 313/635
6,599,222 B2 * 7/2003 Wince 482/106
D485,869 S * 1/2004 Miletich D21/399
7,073,917 B2 * 7/2006 VanderSchuit 362/96
7,129,625 B2 * 10/2006 Marsh 313/17
D535,773 S * 1/2007 Kessler D26/60
7,216,999 B2 * 5/2007 Kaplan et al. 362/34
D563,582 S * 3/2008 Levine D26/63
7,395,629 B1 * 7/2008 Thomas 43/17.5
D576,749 S * 9/2008 Kitagawa et al. D26/3
7,594,738 B1 * 9/2009 Lin et al. 362/249.02
7,652,588 B2 * 1/2010 Lopez Barbarin 340/815.42
7,687,700 B1 * 3/2010 Torres 84/422.4

FIG. 5 is a right side view of the transparent tapered slip cover holding a rolled flyer surrounding an illuminated baton thereof;

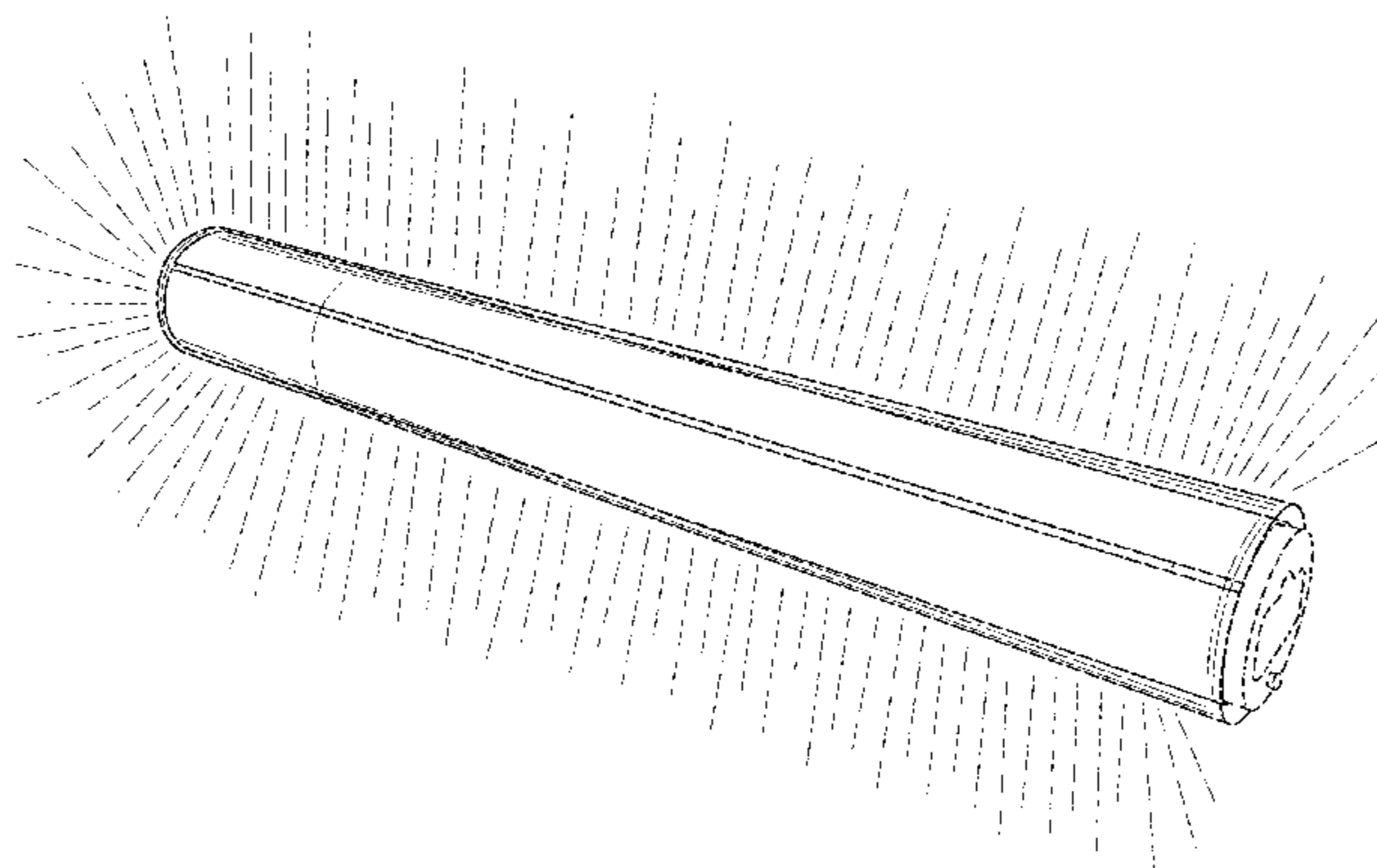
FIG. 6 is a left side view of the transparent tapered slip cover holding a rolled flyer surrounding an illuminated baton thereof;

FIG. 7 is an enlarged top view of the transparent tapered slip cover holding a rolled flyer surrounding an illuminated baton thereof; and,

FIG. 8 is an enlarged bottom view of the transparent tapered slip cover holding a rolled flyer surrounding an illuminated baton thereof.

All small broken lines are directed to environment and are for illustrative purposes only. The large broken radiating lines indicate illumination. None of the broken lines form a part of the claimed design.

1 Claim, 8 Drawing Sheets



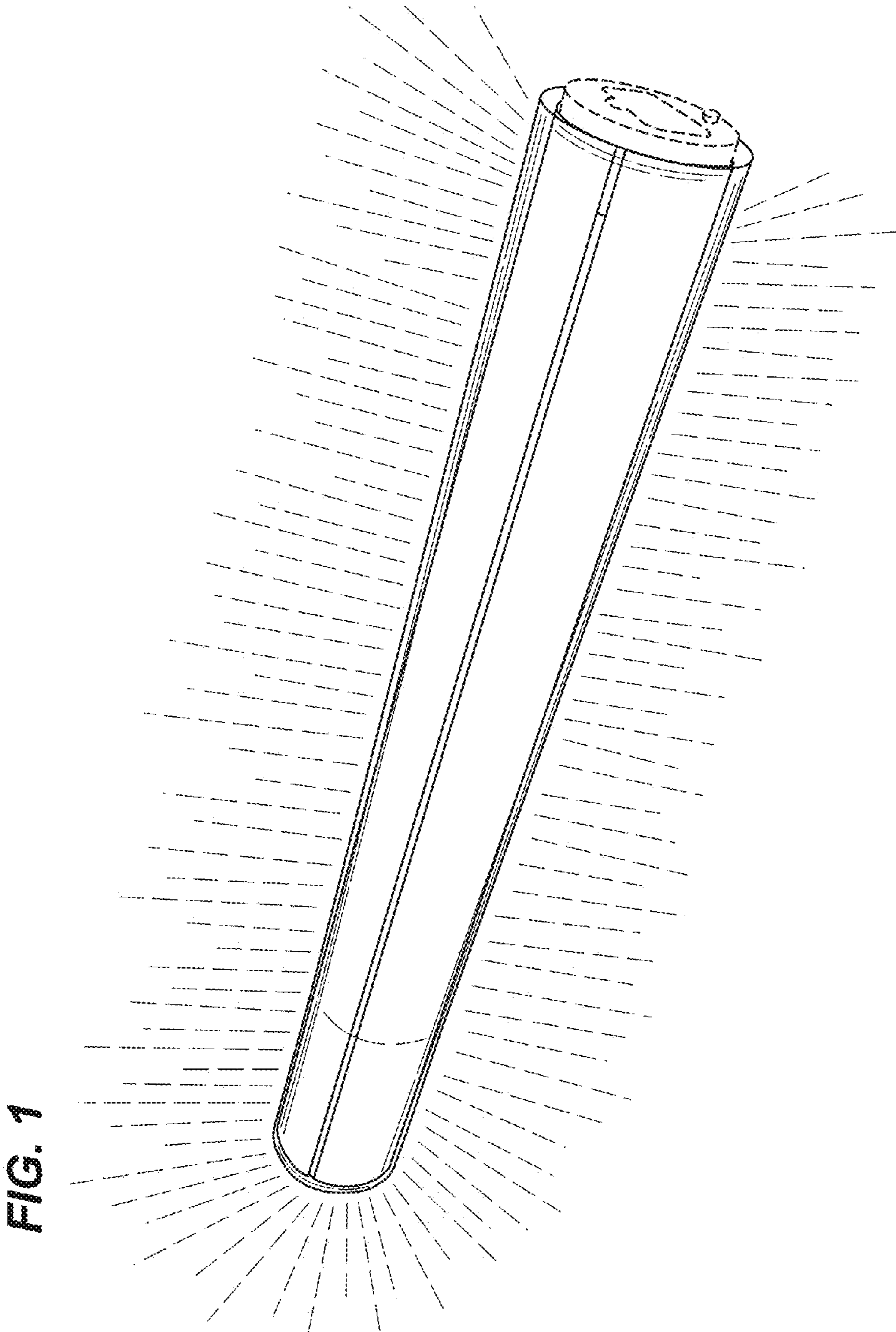
(56)

References Cited

U.S. PATENT DOCUMENTS

7,946,729	B2 *	5/2011	Ivey et al.	362/254	2003/0161151	A1 *	8/2003	Liu	362/249
D639,357	S *	6/2011	Brun	D21/679	2005/0110387	A1 *	5/2005	Landry	313/489
8,235,545	B2 *	8/2012	Zheng et al.	362/218	2006/0146513	A1 *	7/2006	Liu	362/34
D672,894	S *	12/2012	Bayat et al.	D26/42	2006/0203478	A1 *	9/2006	Waters	362/217
8,529,087	B2 *	9/2013	Bertken	362/184	2008/0127981	A1 *	6/2008	Brooks et al.	128/207.15
D694,348	S *	11/2013	Rankin	D21/679	2009/0154167	A1 *	6/2009	Lin	362/294
8,703,261	B2 *	4/2014	Lien	428/36.9	2009/0323315	A1 *	12/2009	Tuite et al.	362/98
2002/0145876	A1 *	10/2002	Juang	362/378	2011/0214342	A1 *	9/2011	Burgi	44/535
						2011/0241555	A1 *	10/2011	Lin et al.	315/159
						2013/0200805	A1 *	8/2013	Scapa et al.	315/131
						2014/0063793	A1 *	3/2014	Hasan et al.	362/184

* cited by examiner



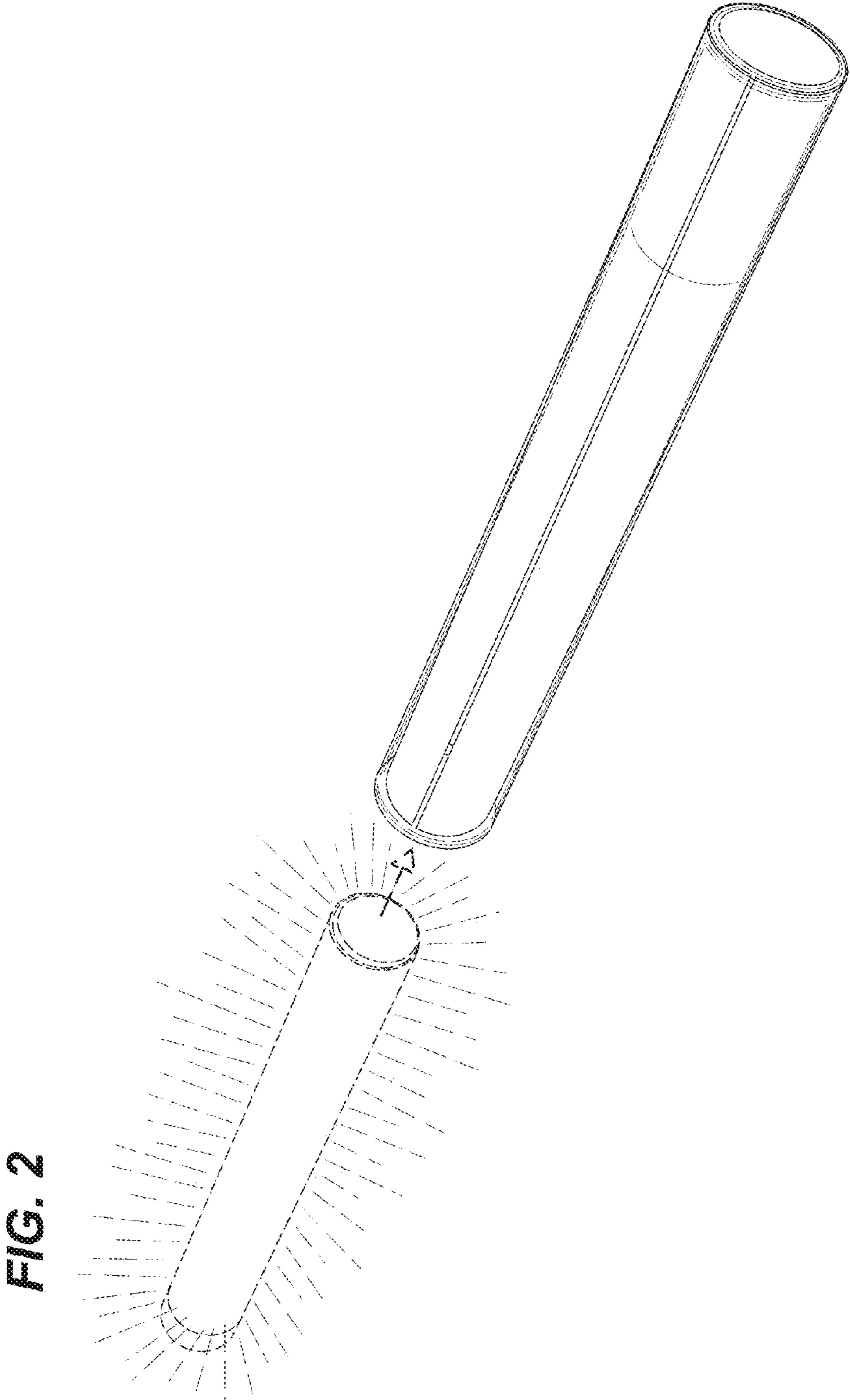


FIG. 3

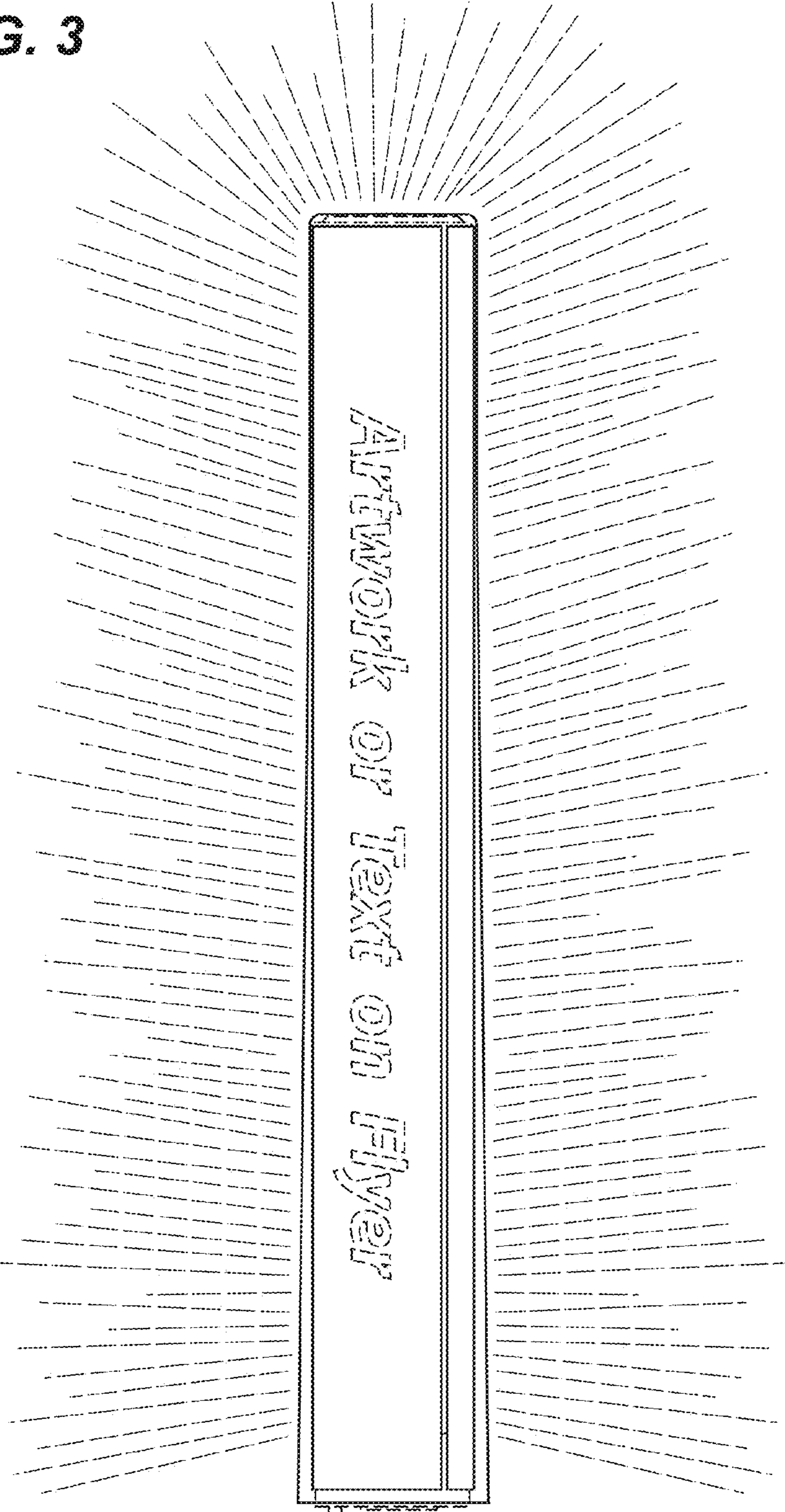


FIG. 4

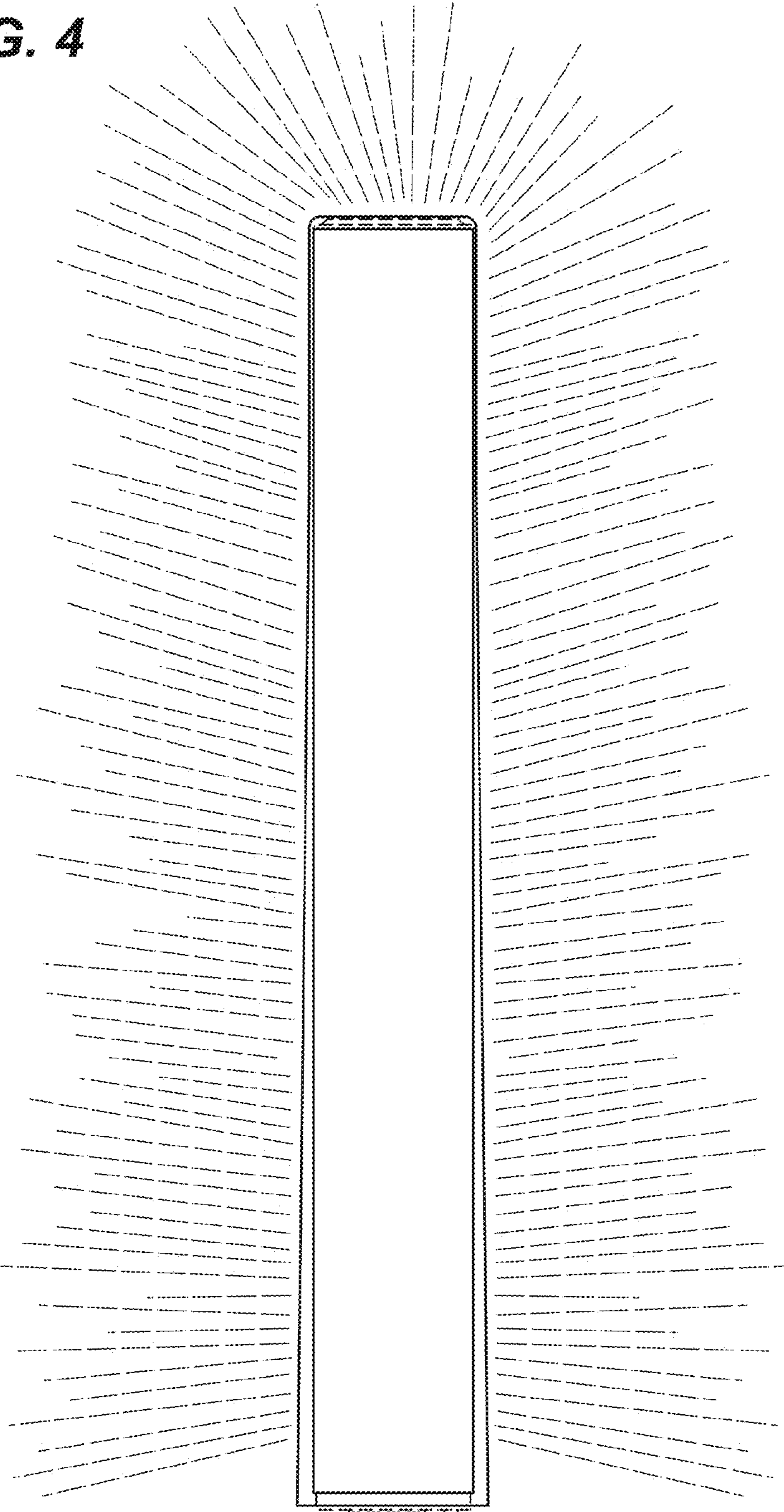


FIG. 5

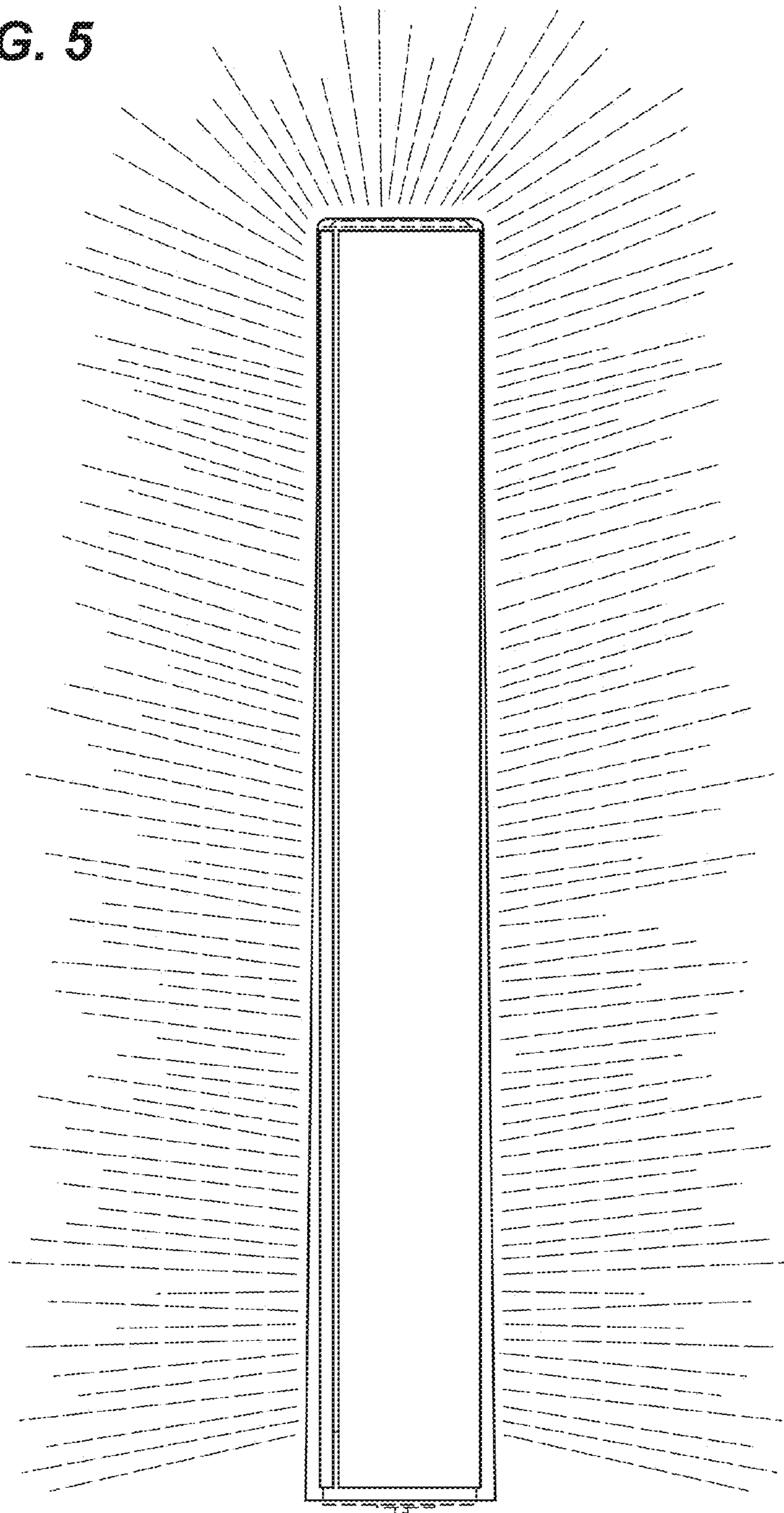


FIG. 6

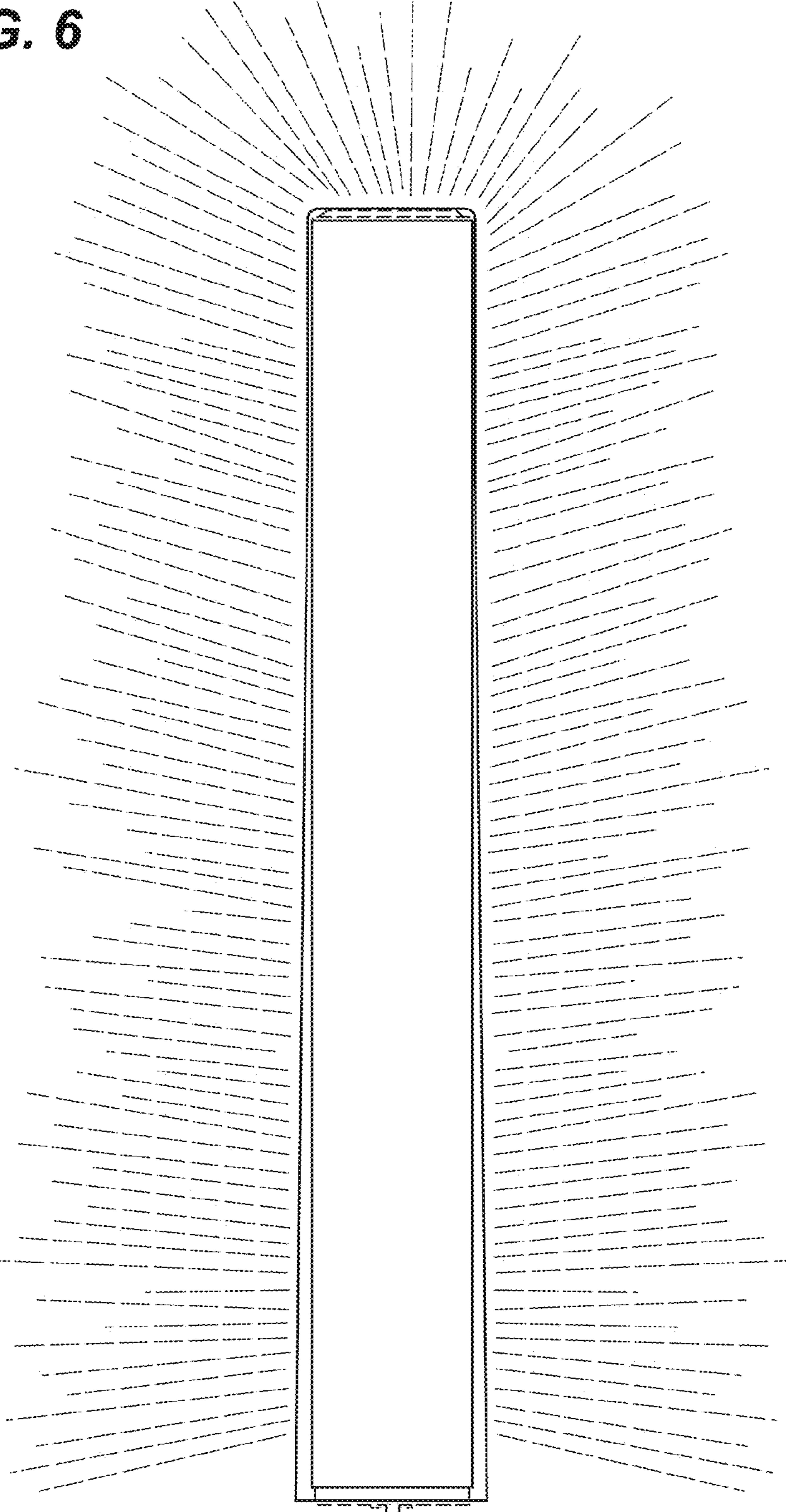


FIG. 7

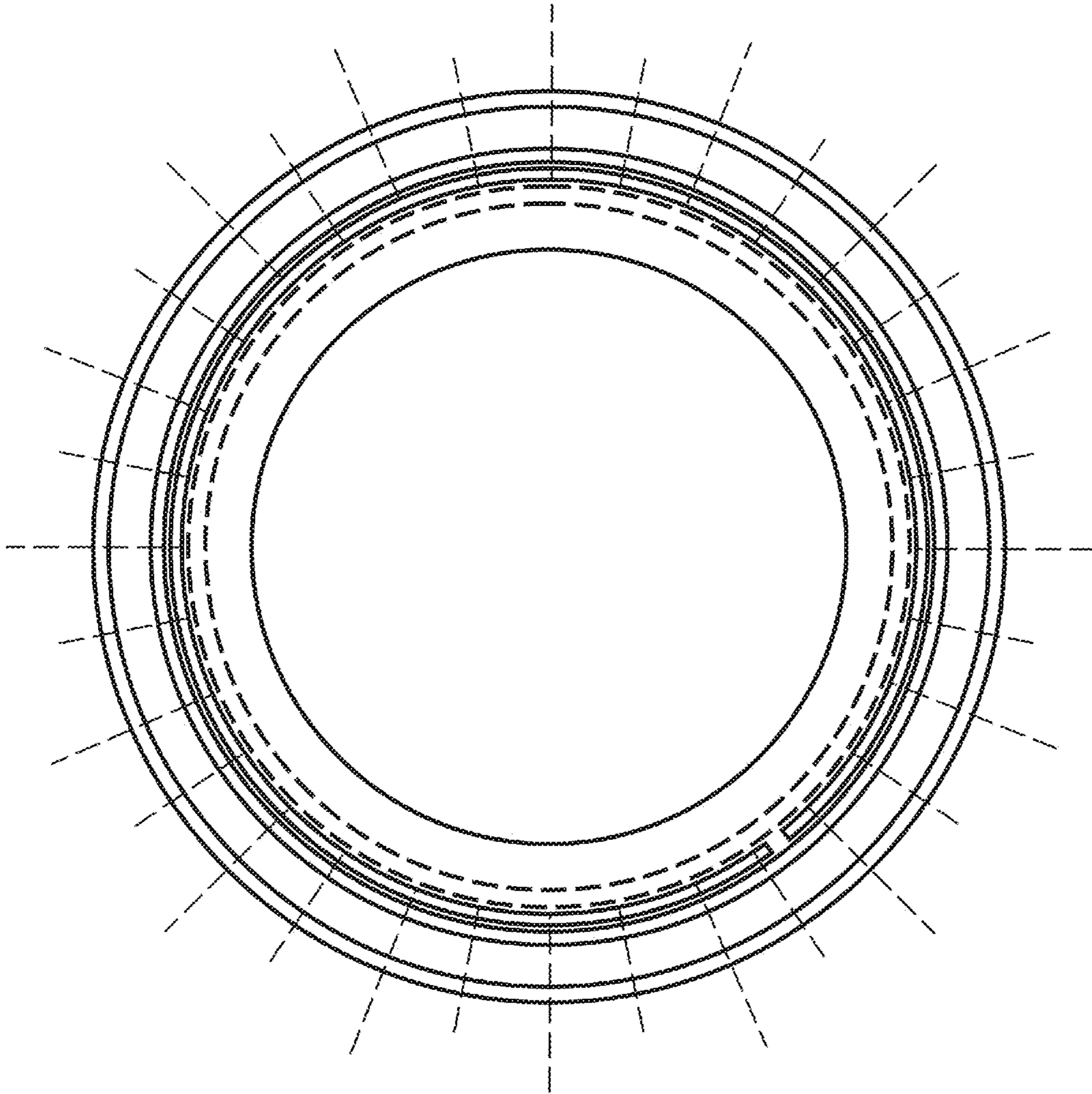


FIG. 8

