



US00D725811S

(12) **United States Design Patent**
Quitllet

(10) **Patent No.:** **US D725,811 S**
(45) **Date of Patent:** **** Mar. 31, 2015**

(54) **LAMP**

(71) Applicant: **Kartell S.p.A.**, Noviglio, Milan (IT)

(72) Inventor: **Eugeni Quitllet**, Paris (FR)

(73) Assignee: **Kartell S.p.A.**, Noviglio, Milan (IT)

(**) Term: **14 Years**

(21) Appl. No.: **29/434,748**

(22) Filed: **Oct. 16, 2012**

(30) **Foreign Application Priority Data**

Apr. 17, 2012 (EM) 002028142-0003

(51) **LOC (10) Cl.** **26-03**

(52) **U.S. Cl.**
USPC **D26/106**

(58) **Field of Classification Search**
USPC D26/1, 24, 67, 93-94, 104-110;
362/153, 255, 257, 317, 362, 382,
362/410-414, 418, 427, 431, 433, 441
See application file for complete search history.

(56) **References Cited**

U.S. PATENT DOCUMENTS

D402,391 S * 12/1998 Manarin D26/110
D467,679 S * 12/2002 Rota et al. D26/104

* cited by examiner

Primary Examiner — Brian N Vinson

(74) *Attorney, Agent, or Firm* — Shoemaker and Mattare

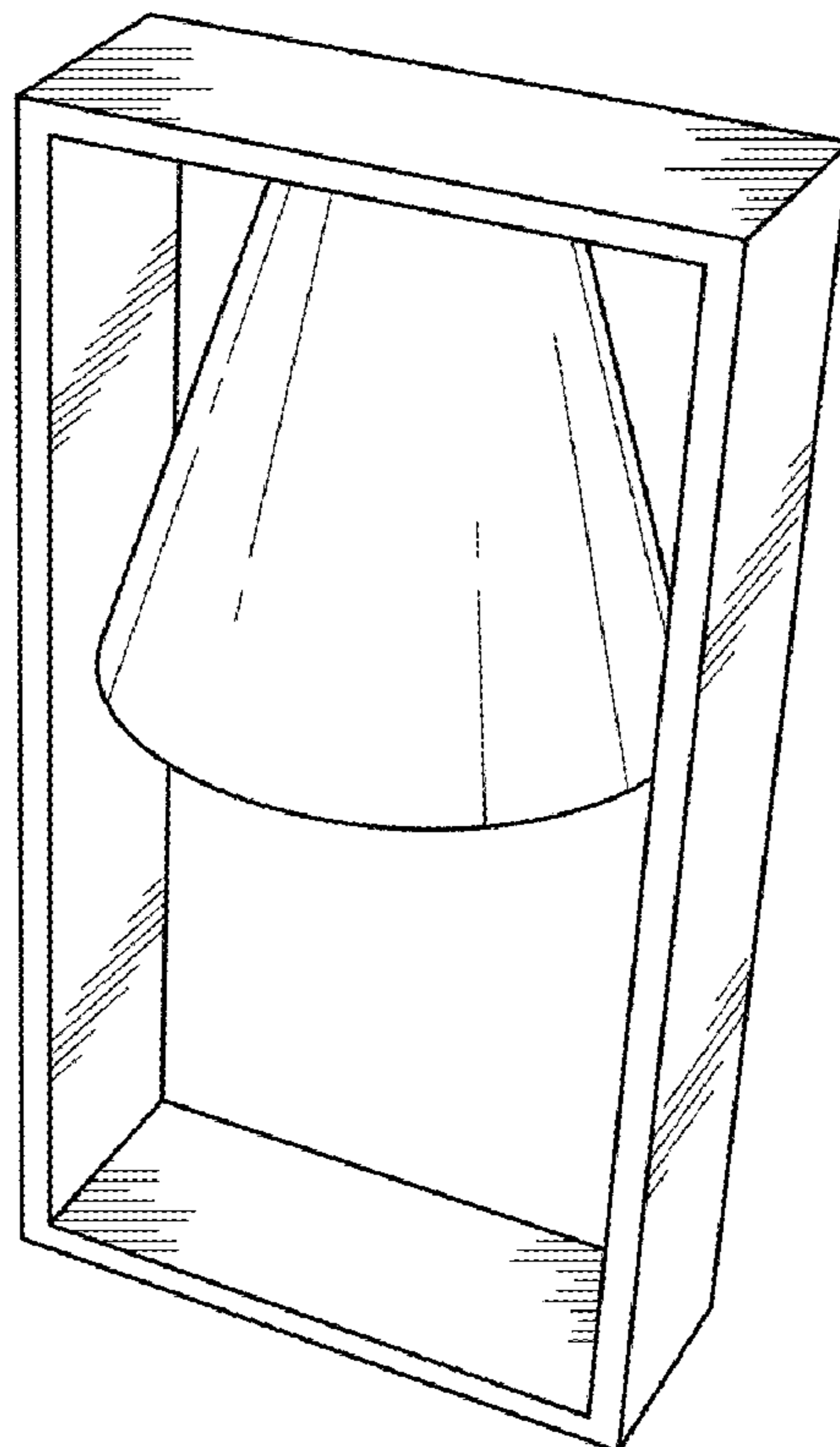
(57) **CLAIM**

The ornamental design for a lamp, as shown and described.

DESCRIPTION

FIG. 1 is a perspective view of a lamp, showing my new design from the top, front and left side; FIG. 2 is a front elevational view thereof; FIG. 3 is a rear elevational view thereof; FIG. 4 is a top plan view thereof; FIG. 5 is a bottom plan view thereof; FIG. 6 is a right side elevational view thereof; and, FIG. 7 is a left side elevational view thereof.

1 Claim, 2 Drawing Sheets



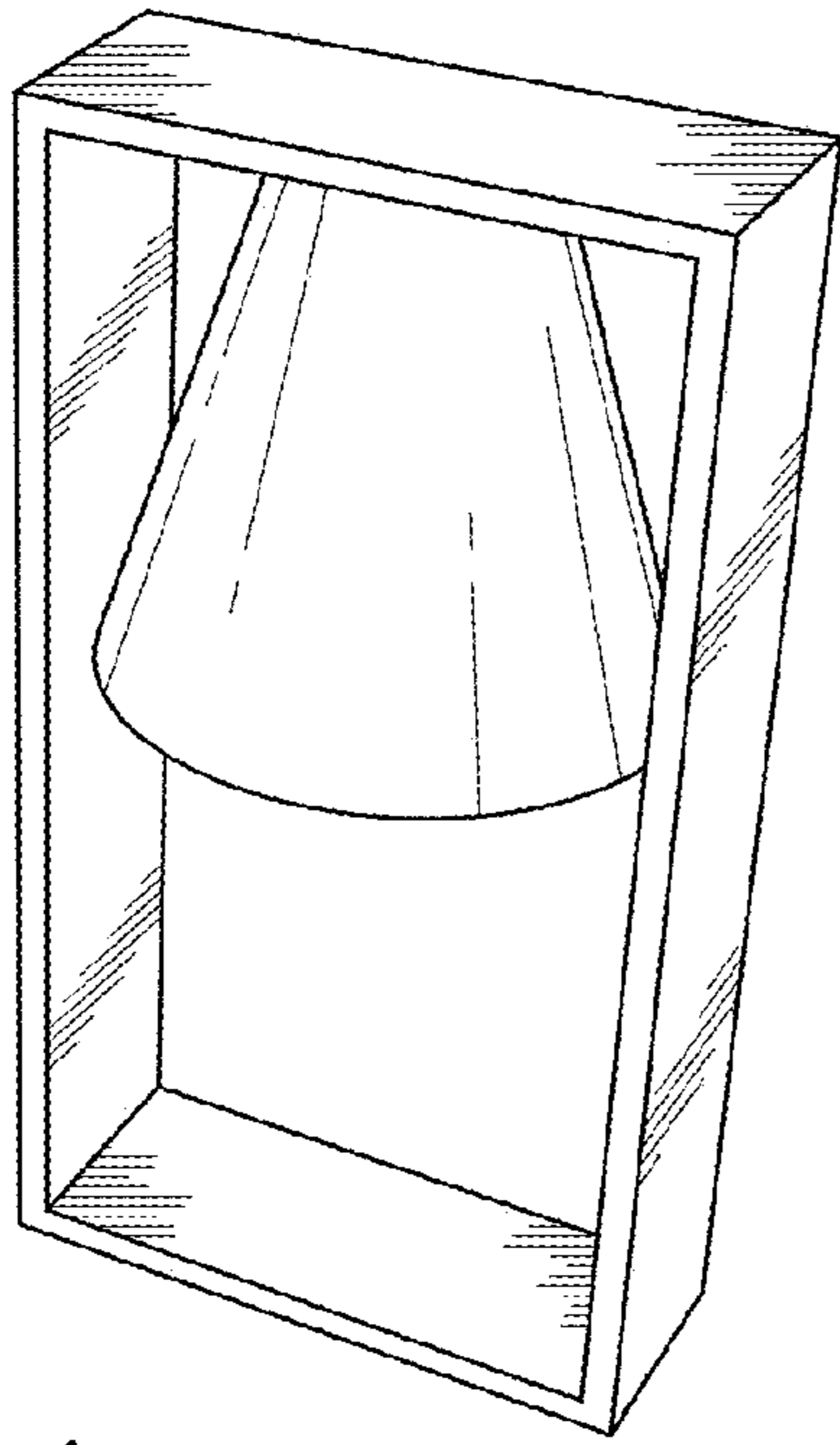


Fig. 1

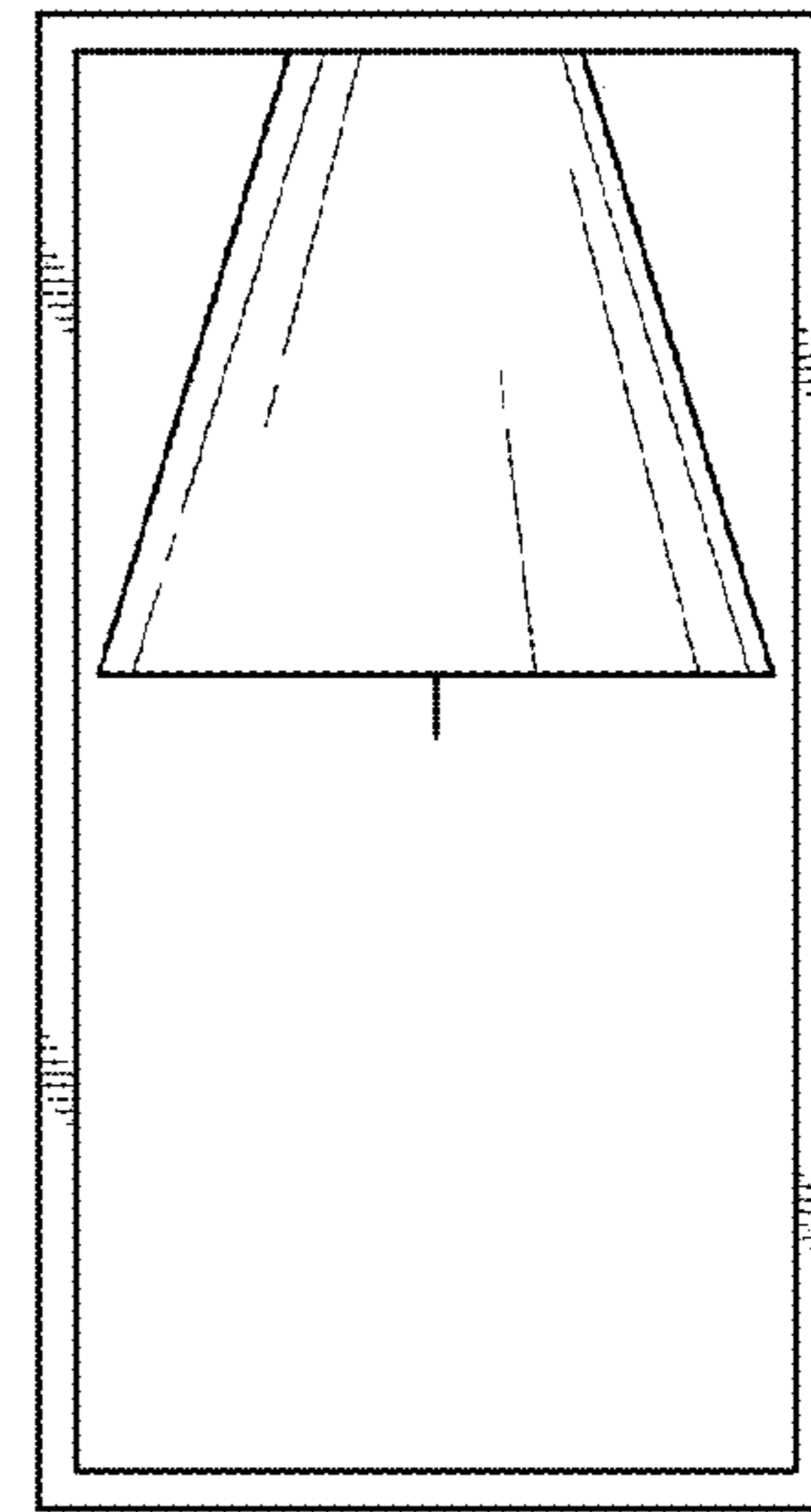


Fig. 2

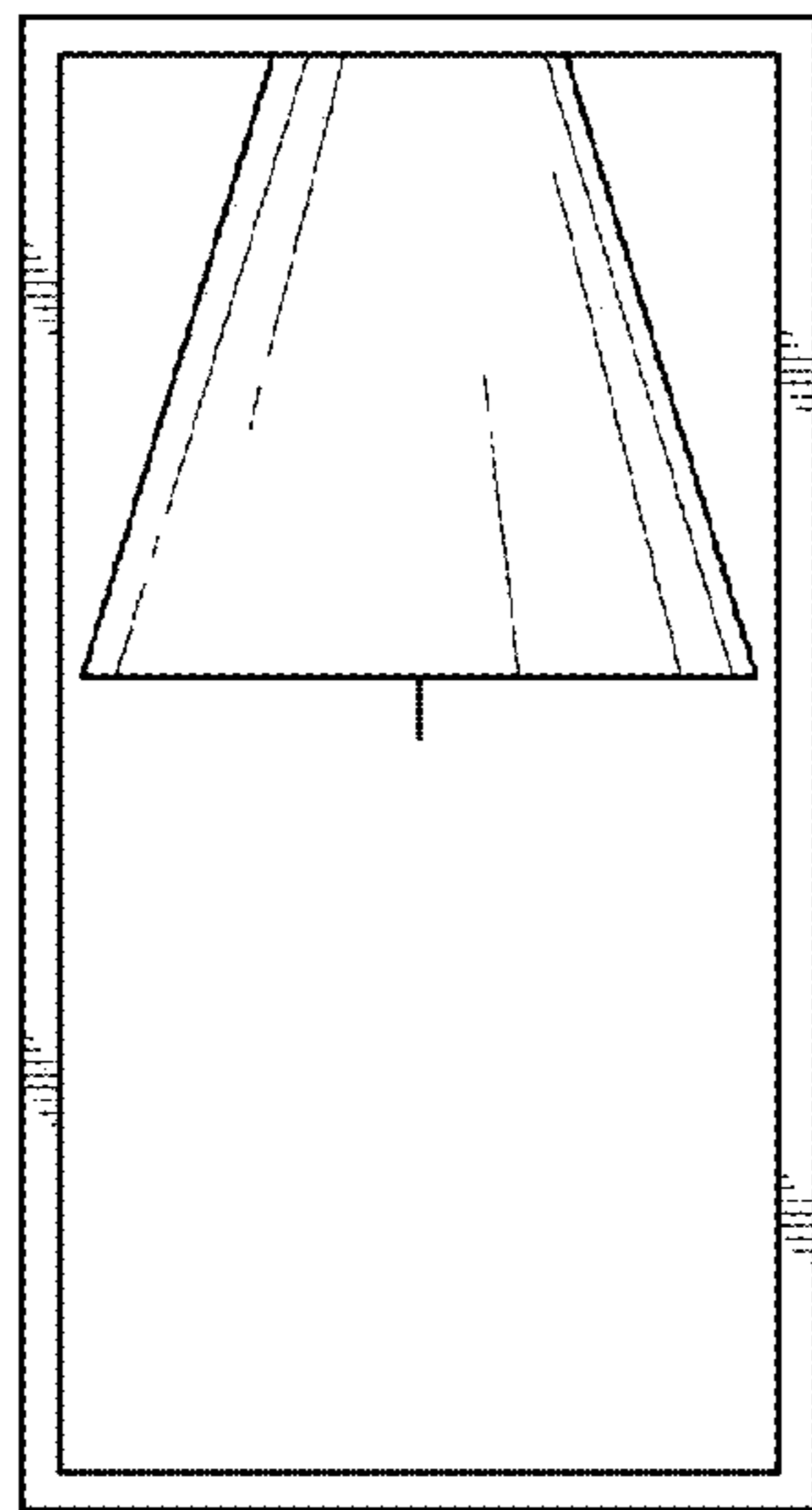


Fig. 3

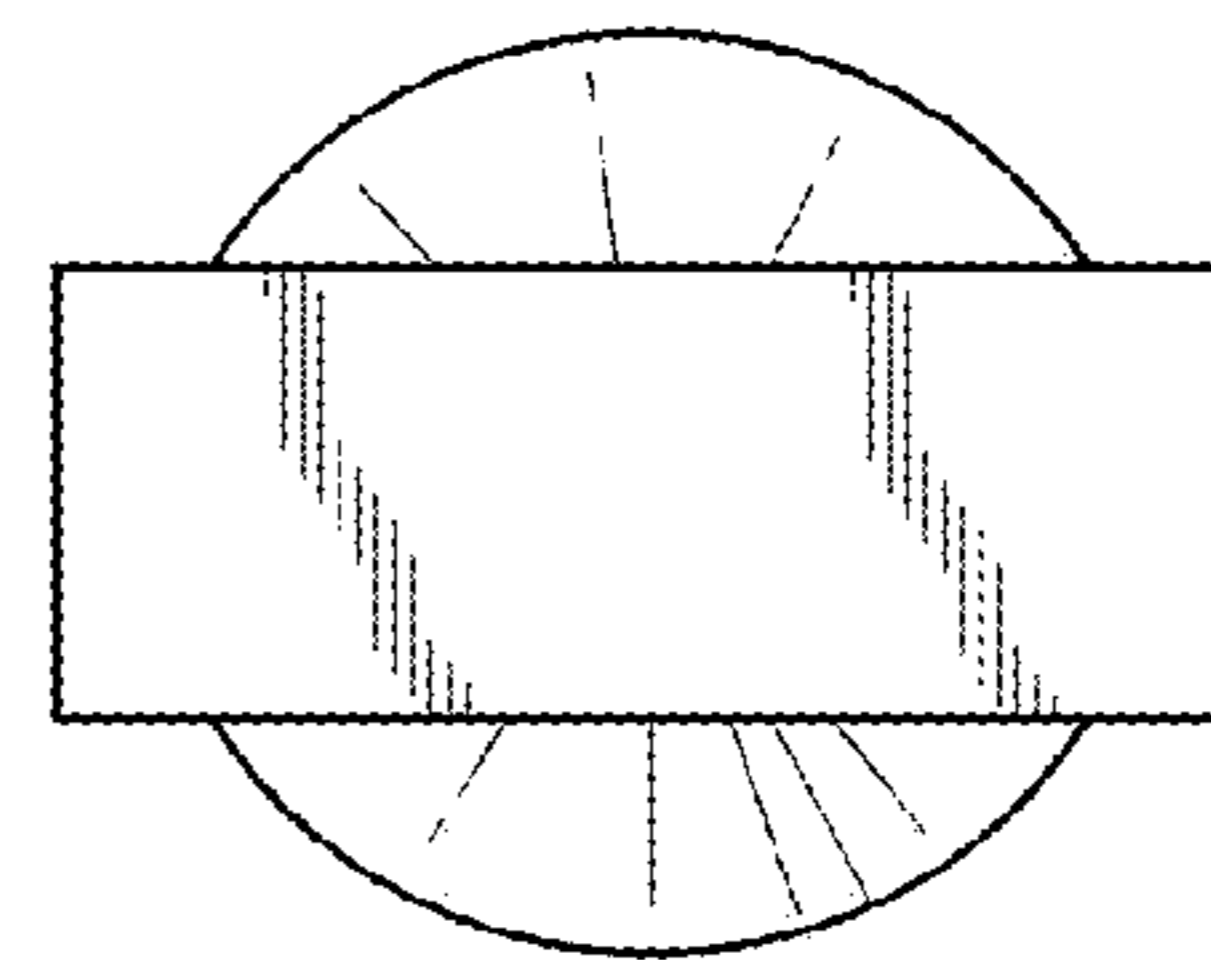


Fig. 4

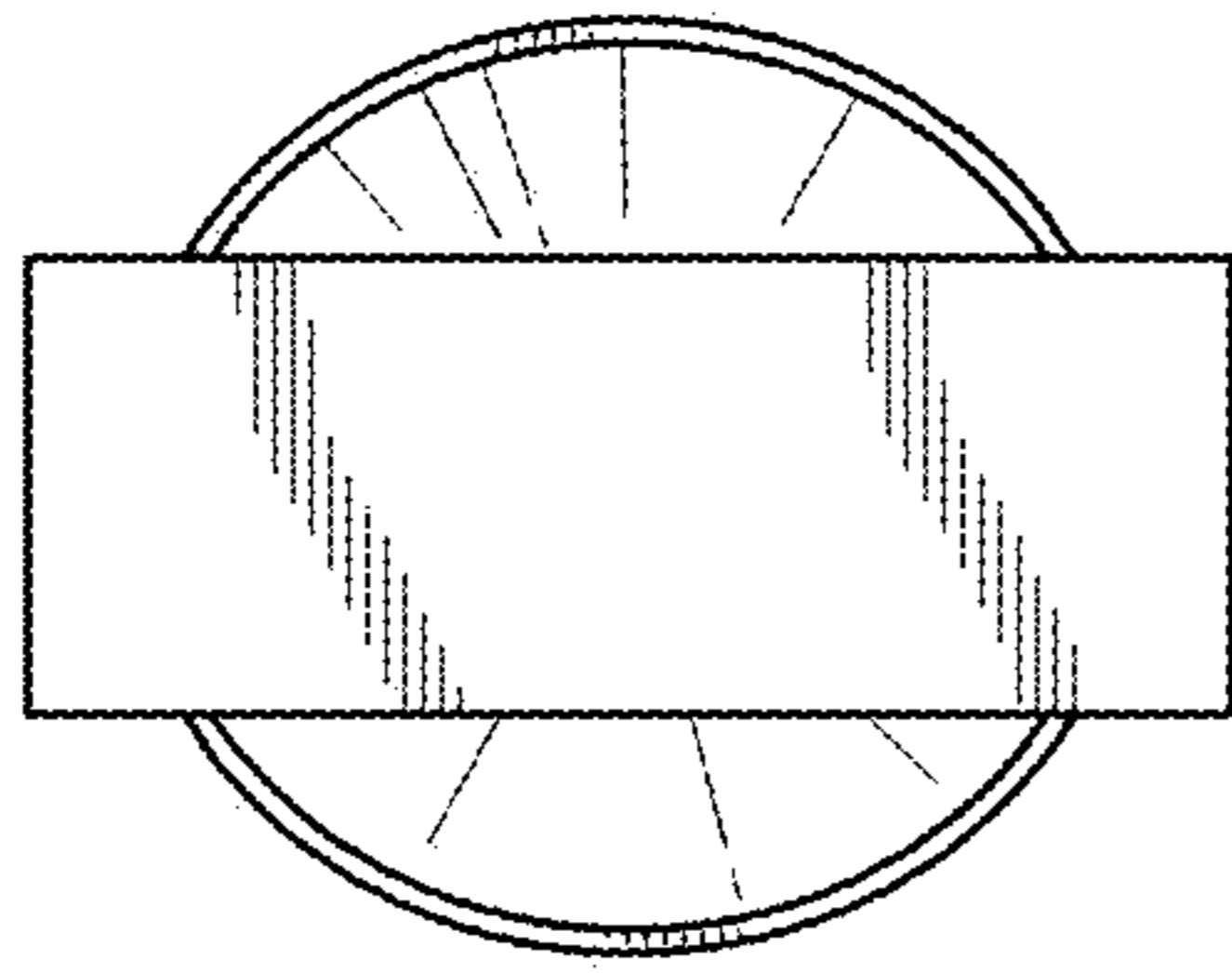


Fig. 5

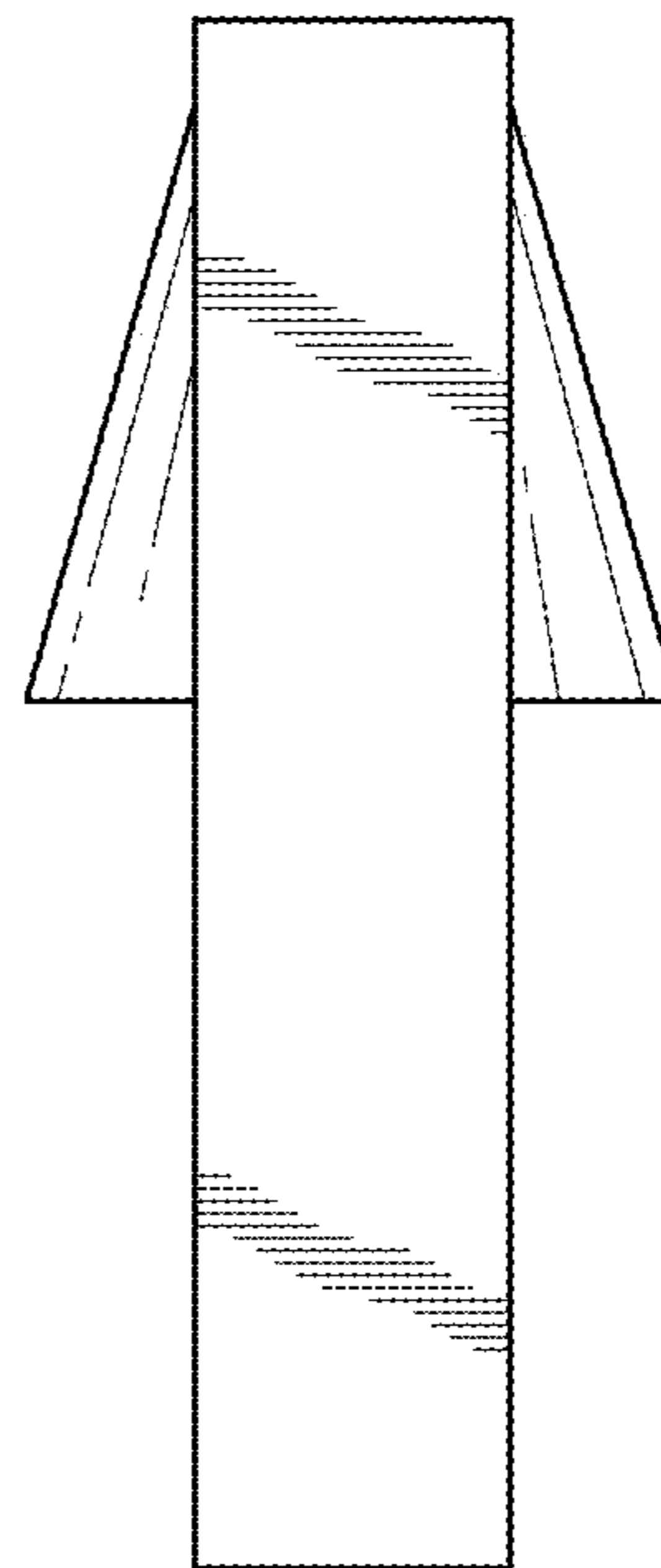


Fig. 7

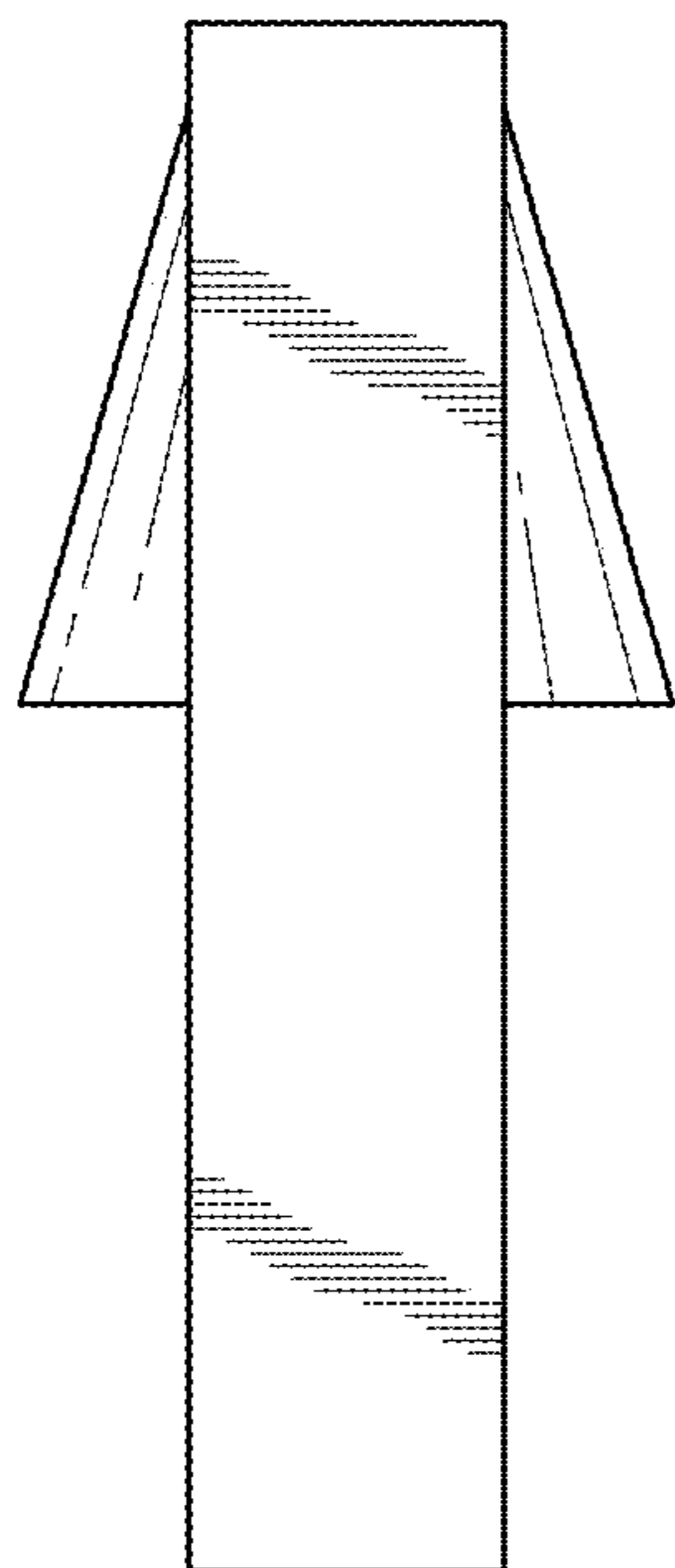


Fig. 6