



US00D725808S

(12) **United States Design Patent**
André

(10) **Patent No.:** **US D725,808 S**
(45) **Date of Patent:** **** Mar. 31, 2015**

(54) **FLASHLIGHT**

(75) Inventor: **Olivier André**, Pok Fu Lam (HK)

(73) Assignee: **Intermed Asia Limited**, Hung Hom,
Kowloon (HK)

(**) Term: **14 Years**

(21) Appl. No.: **29/418,580**

(22) Filed: **Apr. 18, 2012**

(30) **Foreign Application Priority Data**

Oct. 18, 2011 (CN) 2011 3 0369527
Oct. 18, 2011 (HK) 1101810.2

(51) **LOC (10) Cl.** **26-02**

(52) **U.S. Cl.**
USPC **D26/37**

(58) **Field of Classification Search**

USPC D26/37, 38, 40, 41, 42, 44-46, 51;
362/157, 158, 171-174, 183, 184,
362/194-196, 200-208, 253; D21/398, 402
See application file for complete search history.

(56) **References Cited**

U.S. PATENT DOCUMENTS

D403,093 S * 12/1998 Tseng D26/38
D504,706 S * 5/2005 Bennett D21/398
D509,611 S * 9/2005 Chou D26/37

D512,168 S * 11/2005 Suzuki D26/37
D569,798 S * 5/2008 Lee D13/123
D571,030 S * 6/2008 Lee D26/37
D596,769 S * 7/2009 Liu D26/37
D605,321 S * 12/2009 Schupp D26/40
D612,523 S * 3/2010 Peng D26/37
D622,327 S * 8/2010 Roos et al. D21/398
D643,956 S * 8/2011 Bertken D26/49
D645,605 S * 9/2011 Watanabe D26/120
D646,412 S * 10/2011 Taiga D26/41
D666,342 S * 8/2012 Wang et al. D26/38

* cited by examiner

Primary Examiner — Ian Simmons

Assistant Examiner — Carissa C Fitts

(74) *Attorney, Agent, or Firm* — Merchant & Gould P.C.

(57) **CLAIM**

The ornamental design for a flashlight, as shown and described.

DESCRIPTION

FIG. 1 is a perspective showing my design thereof;

FIG. 2 is a front view thereof;

FIG. 3 is a back view thereof;

FIG. 4 is a side view thereof;

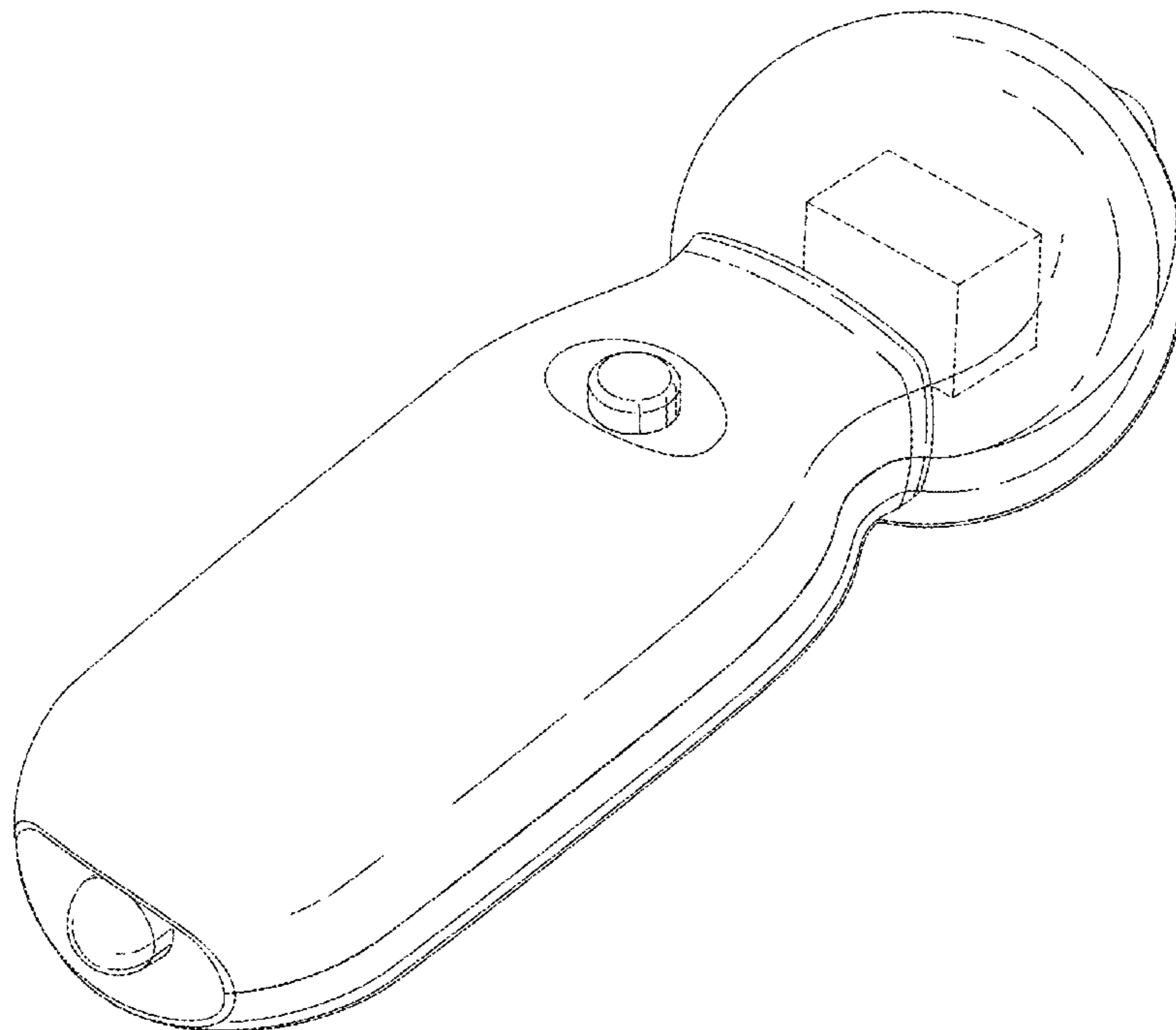
FIG. 5 is a side view thereof;

FIG. 6 is a bottom view thereof; and,

FIG. 7 is a top view thereof.

The broken line showing is for environmental purposes only and forms no part of the claimed design.

1 Claim, 7 Drawing Sheets



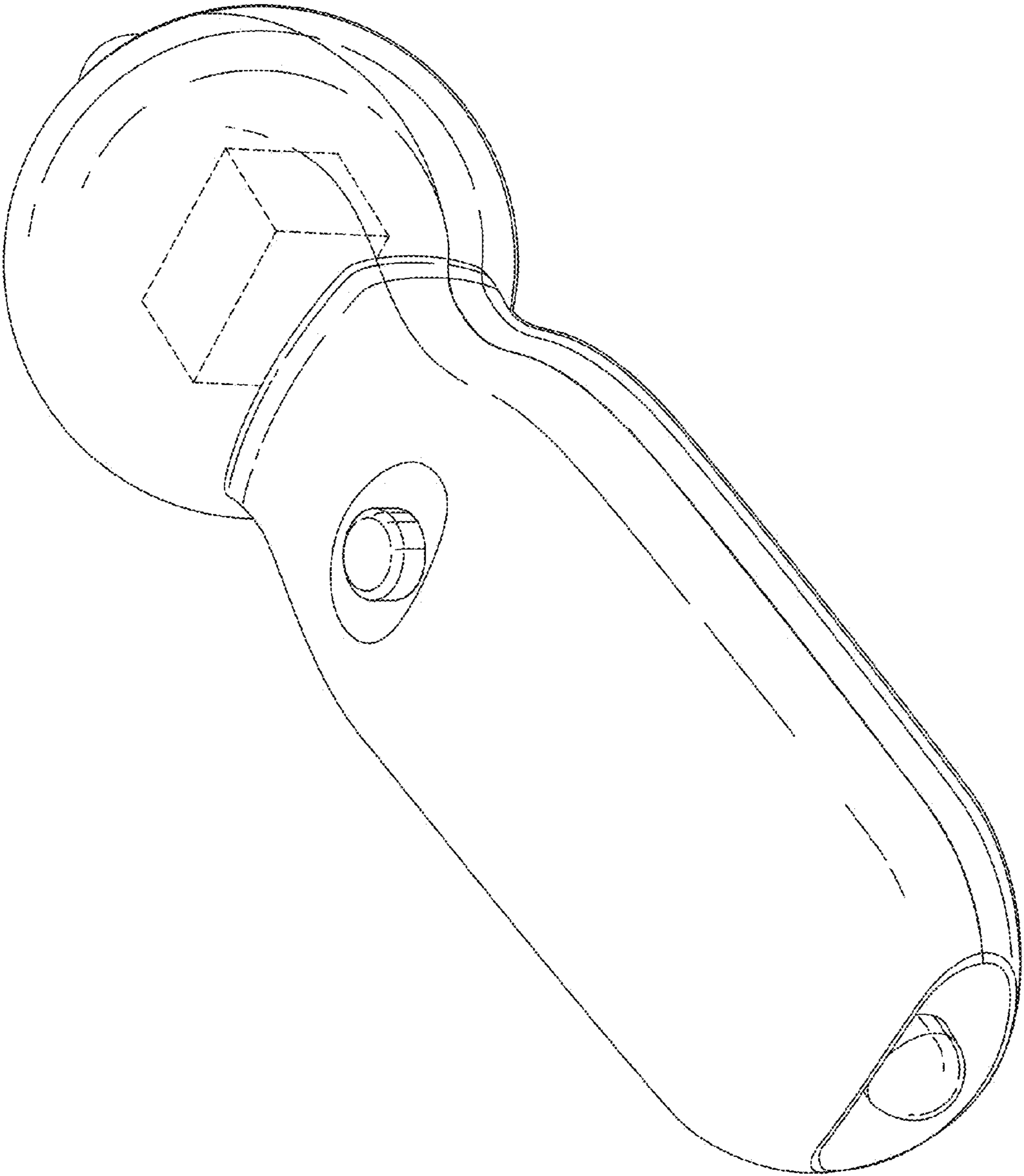


FIG. 1

FIG. 2

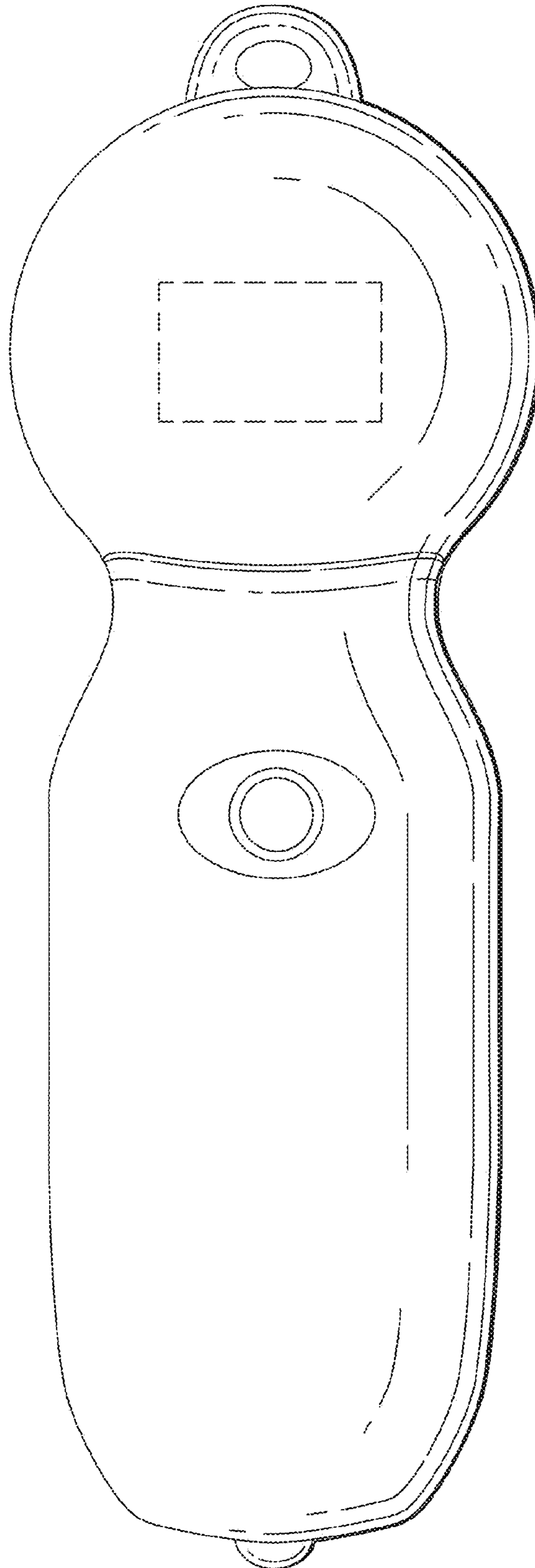


FIG. 3

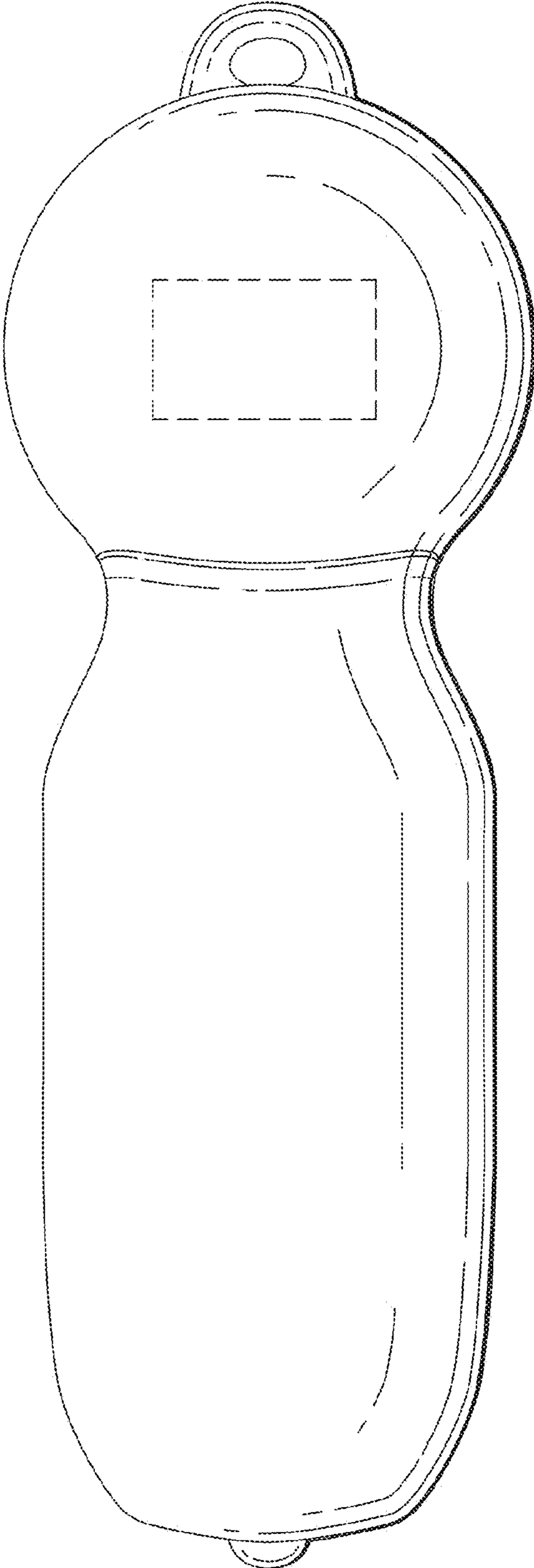


FIG. 4

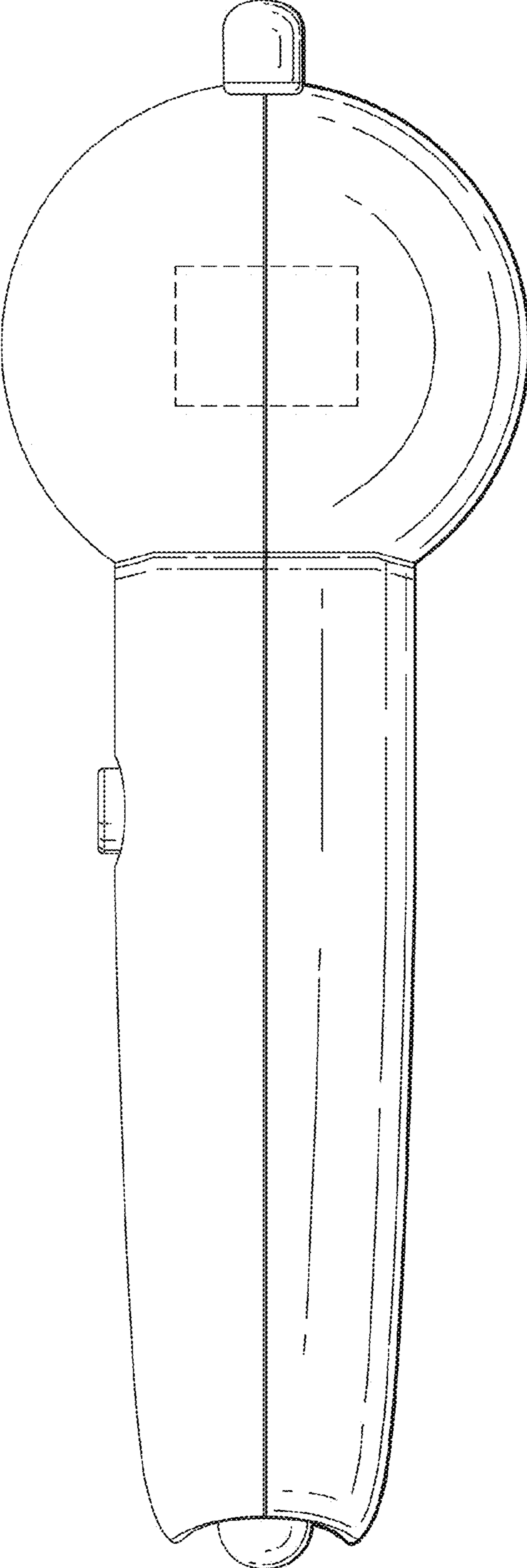


FIG. 5

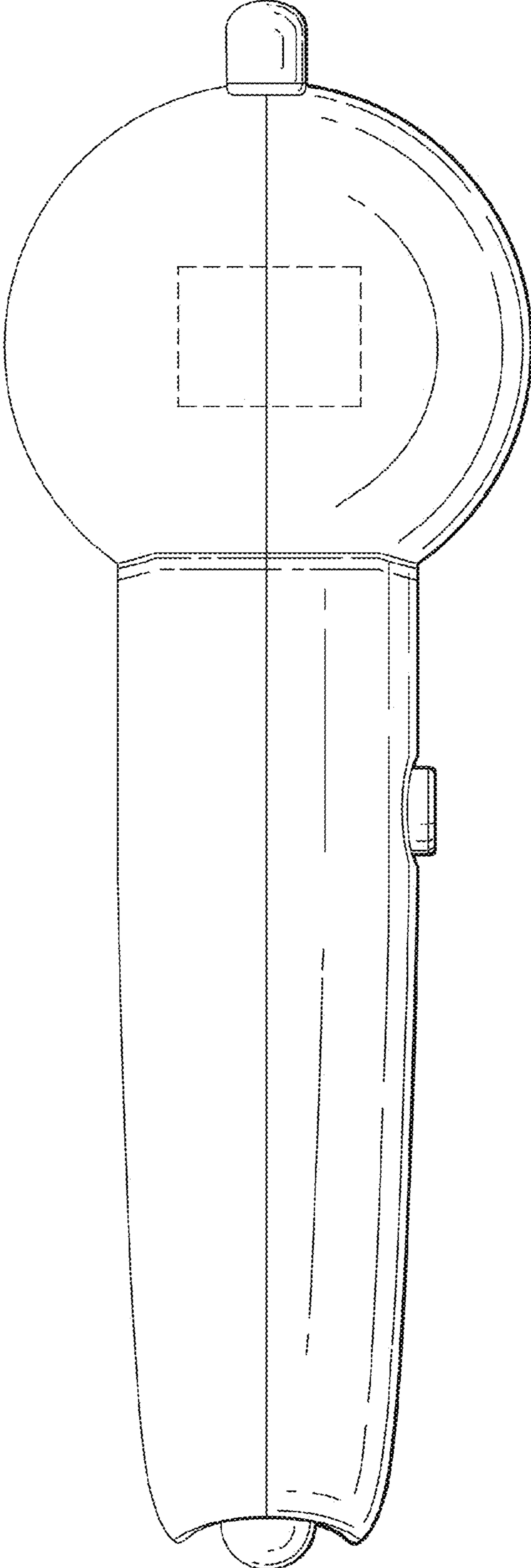


FIG. 6

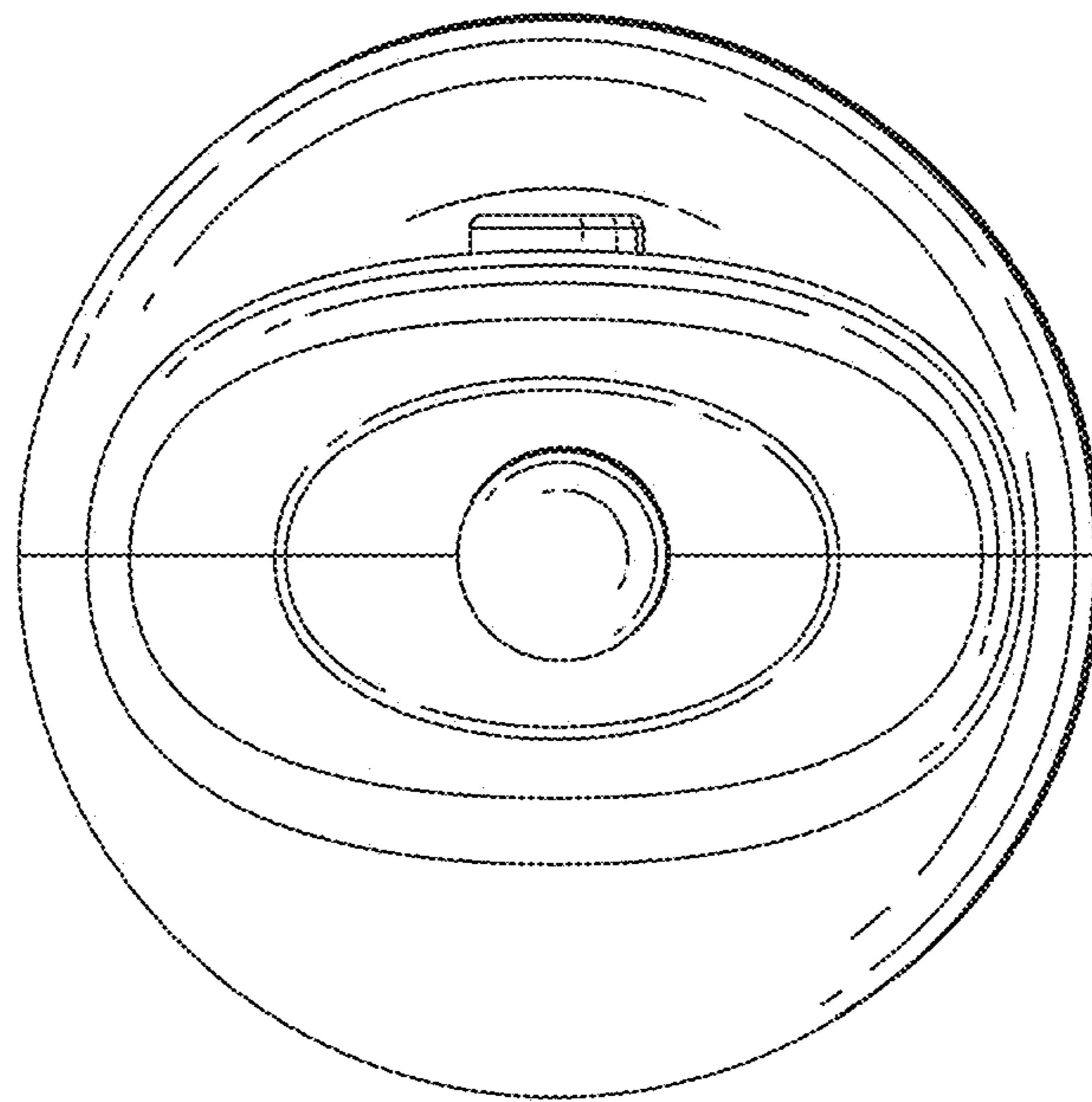


FIG. 7

