



US00D725807S

(12) **United States Design Patent**
Velez et al.

(10) **Patent No.:** **US D725,807 S**
(45) **Date of Patent:** **** Mar. 31, 2015**

(54) **LIGHTING DEVICE**

(76) Inventors: **Jason Velez**, Bronx, NY (US); **Birakoye Nassoko**, Bronx, NY (US)

(**) Term: **14 Years**

(21) Appl. No.: **29/406,649**

(22) Filed: **Nov. 17, 2011**

D570,024 S	5/2008	Guercio	
7,537,366 B2	5/2009	Inoue et al.	
D597,693 S	8/2009	Kauffman et al.	
D624,682 S *	9/2010	Ying et al.	D26/63
D625,870 S	10/2010	Feigenbaum	
D629,550 S	12/2010	Sandell	
D642,313 S *	7/2011	Janssen	D26/63
D645,594 S *	9/2011	Grawe	D26/63
D650,101 S *	12/2011	Velez et al.	D26/37
D650,505 S *	12/2011	Oka	D26/63
D650,935 S *	12/2011	Beghelli	D26/63
2004/0228133 A1	11/2004	Tsao	

Related U.S. Application Data

(62) Division of application No. 29/328,250, filed on Nov. 20, 2008, now Pat. No. Des. 650,101.

(51) **LOC (10) Cl.** **26-02**

(52) **U.S. Cl.**
USPC **D26/37**

(58) **Field of Classification Search**
USPC D26/37, 40, 41, 42, 44, 46, 49, 61, 75,
D26/38, 51, 43, 48, 24, 63, 29; 362/157,
362/158, 184, 194-196, 197, 202-208,
362/171-174, 278-282, 285, 287, 288, 418,
362/427-429, 546, 547
See application file for complete search history.

(56) **References Cited**

U.S. PATENT DOCUMENTS

2,516,270 A	7/1950	Swain	
D287,645 S *	1/1987	Ewing et al.	D26/63
D339,649 S *	9/1993	Klossner	D26/63
D391,382 S	2/1998	Rahn	
D441,889 S	5/2001	Austin	
6,513,952 B1	2/2003	Johnson et al.	
D500,528 S	1/2005	Morris et al.	
D536,811 S	2/2007	Stekelenburg	
D550,385 S	9/2007	Hamilton et al.	
D553,771 S	10/2007	Watson et al.	

* cited by examiner

Primary Examiner — Ian Simmons

Assistant Examiner — Carissa C Fitts

(74) *Attorney, Agent, or Firm* — Kenyon & Kenyon LLP

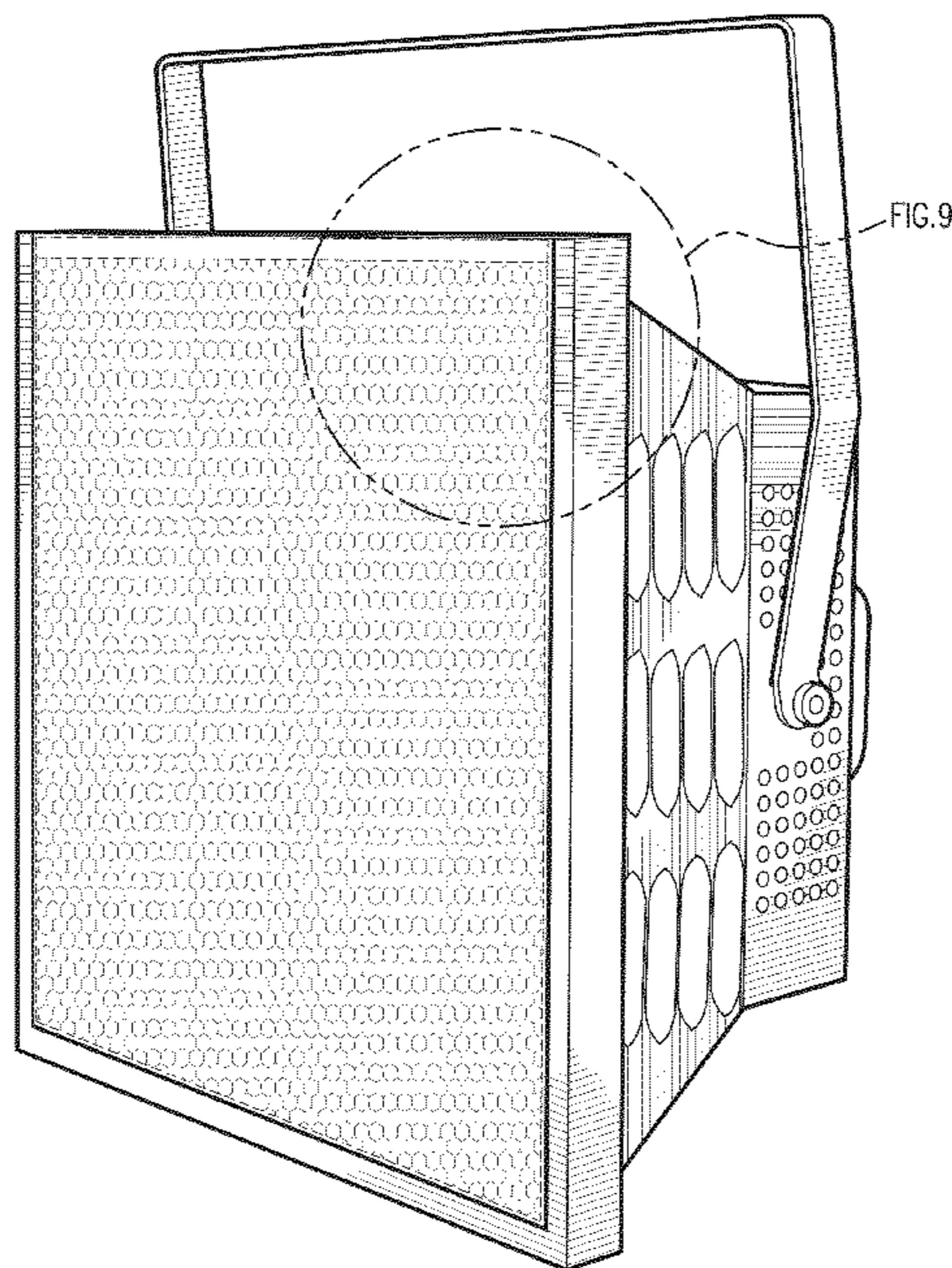
(57) **CLAIM**

The ornamental design for a lighting device, as shown and described.

DESCRIPTION

FIG. 1 is a front perspective view of an embodiment of a lighting device showing my new design; FIG. 2 is a rear perspective view thereof; FIG. 3 is a front view thereof; FIG. 4 is a rear view thereof; FIG. 5 is a top view thereof; FIG. 6 is a bottom view thereof; FIG. 7 is a left side view thereof; FIG. 8 is a right side view thereof; and, FIG. 9 is an enlarged partial view of a portion of the front perspective view of FIG. 1. The broken lines shown in the FIGS. 1, 2, 3, 5 and 9 represent portions of the design that form no part of the claim.

1 Claim, 9 Drawing Sheets



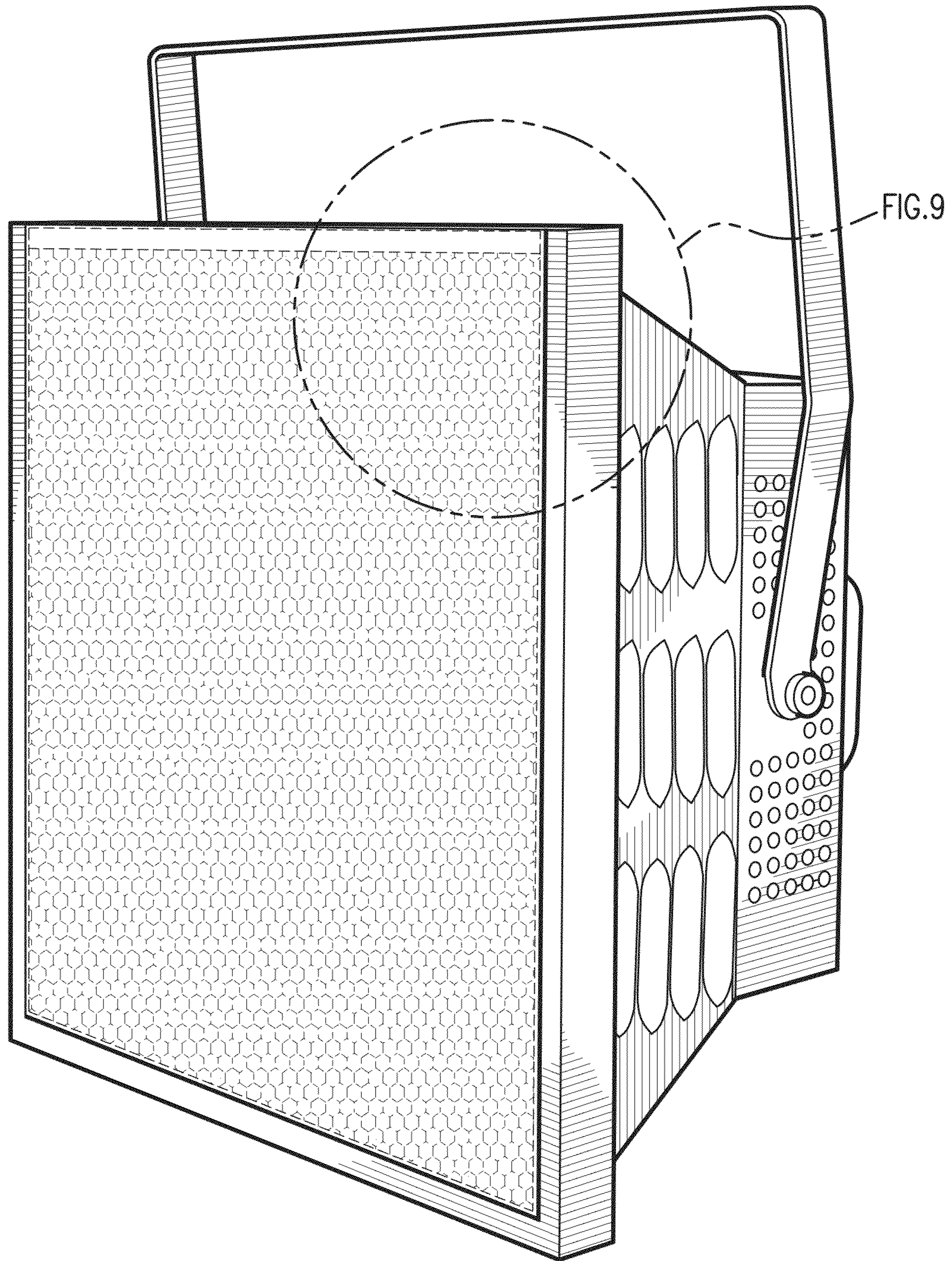


FIG. 1

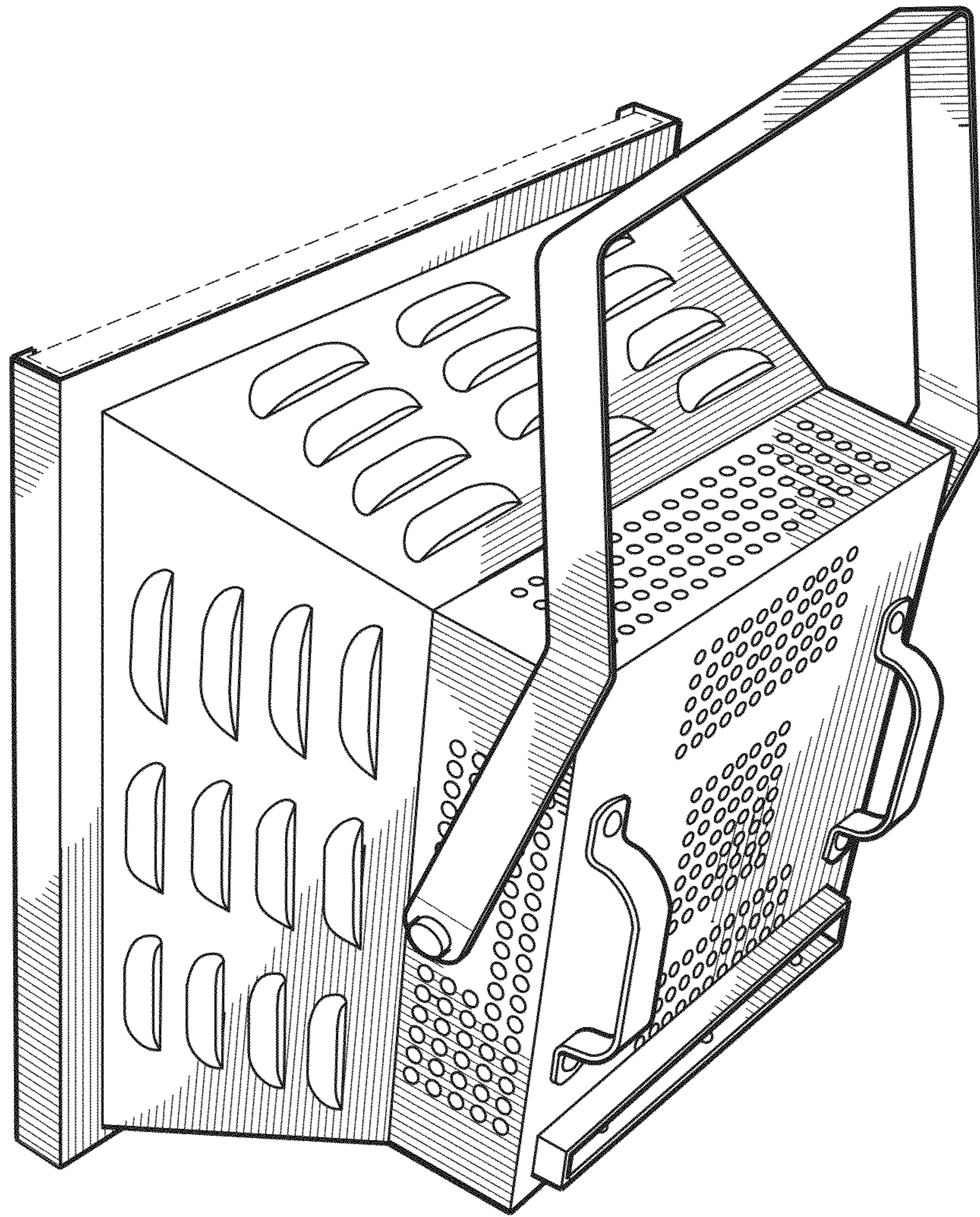


FIG. 2

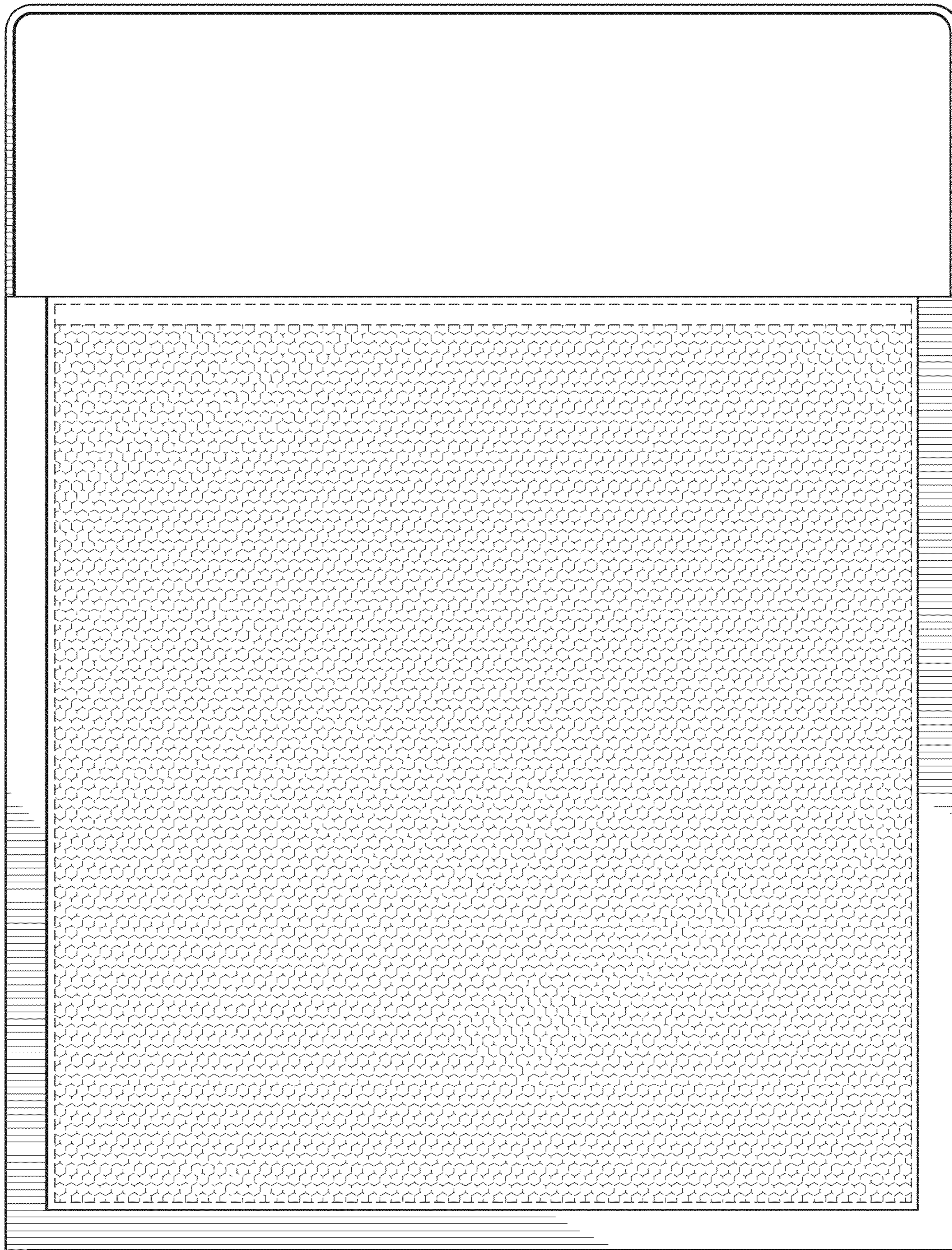


FIG. 3

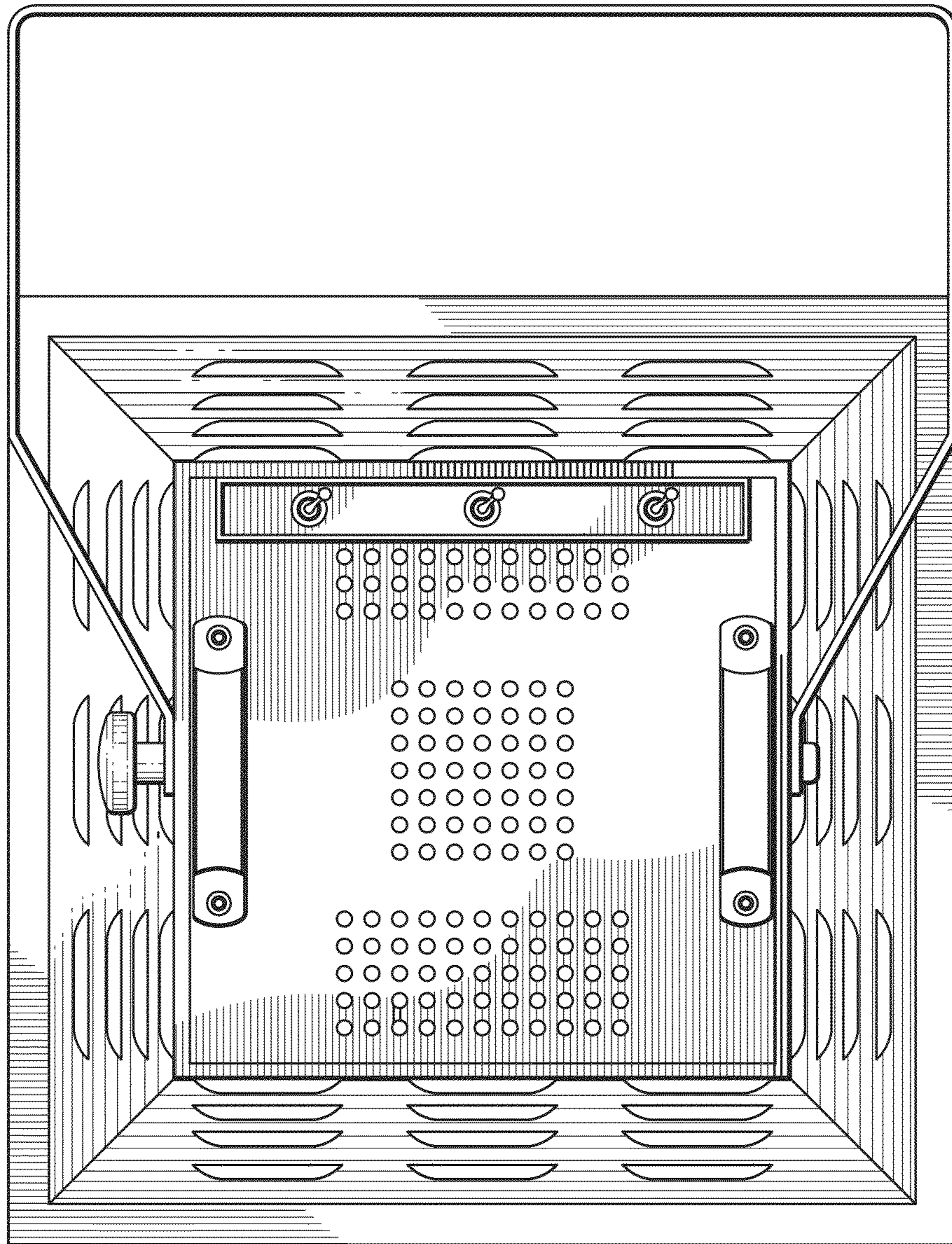


FIG. 4

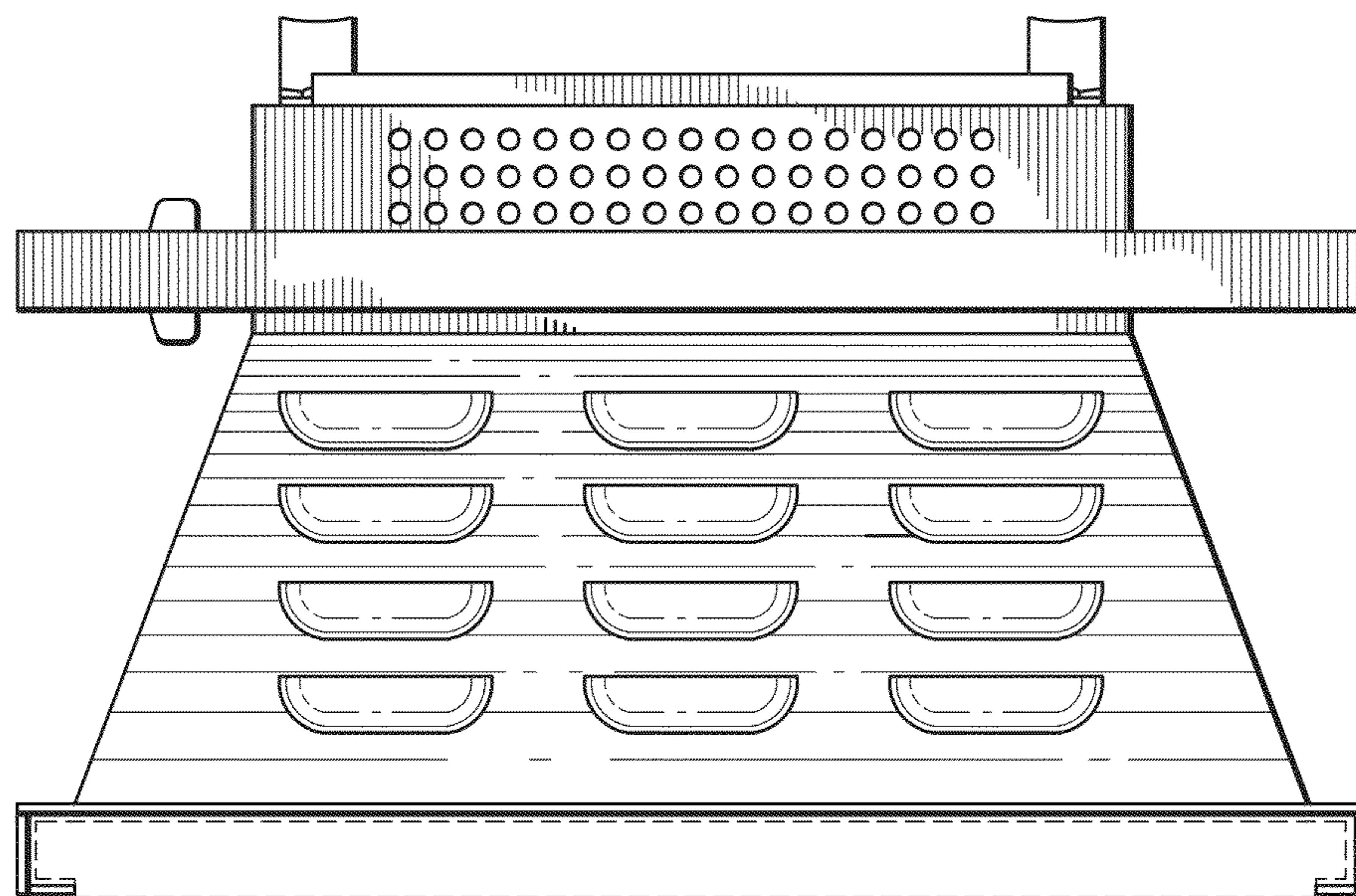


FIG. 5

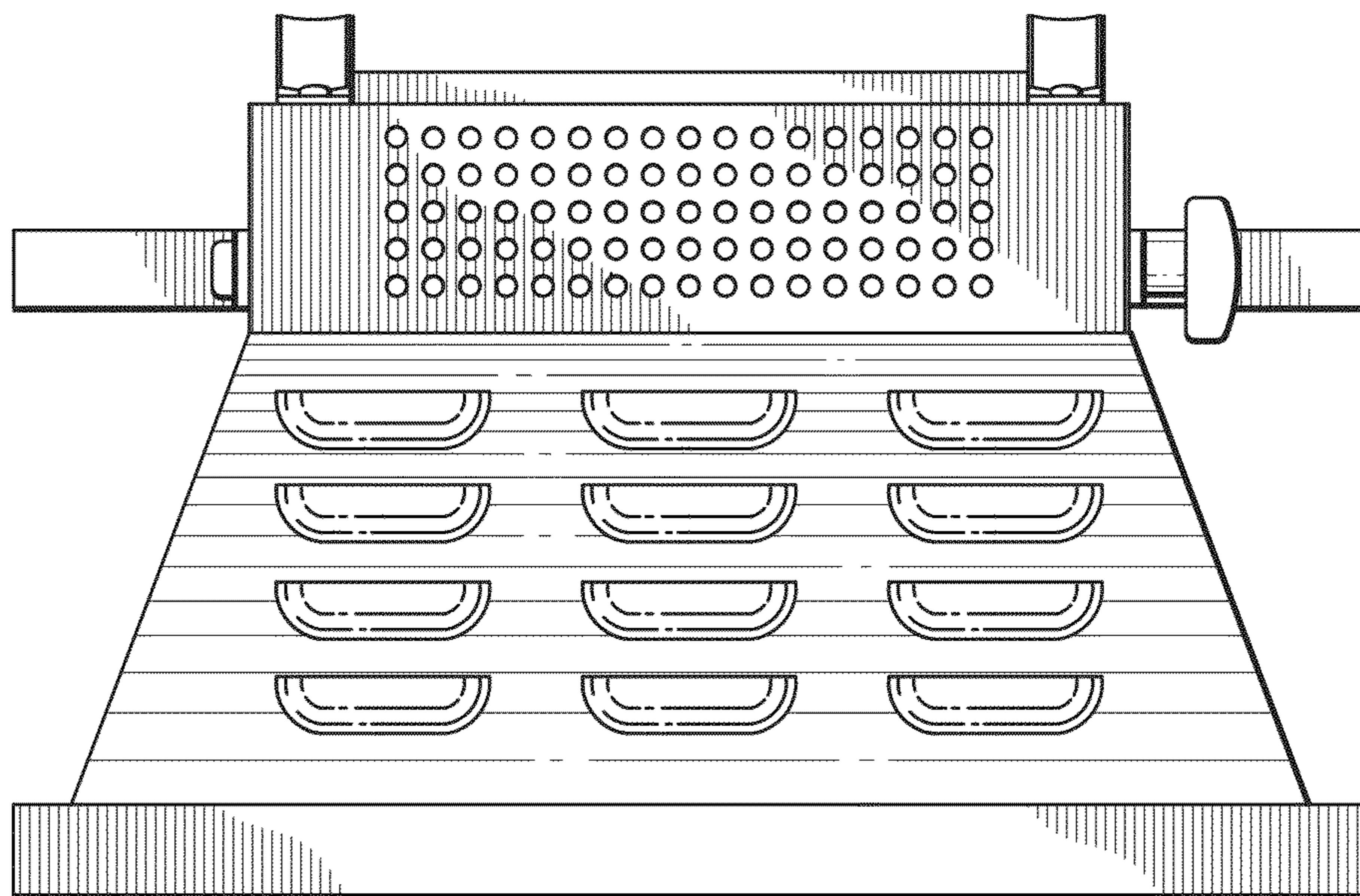


FIG. 6

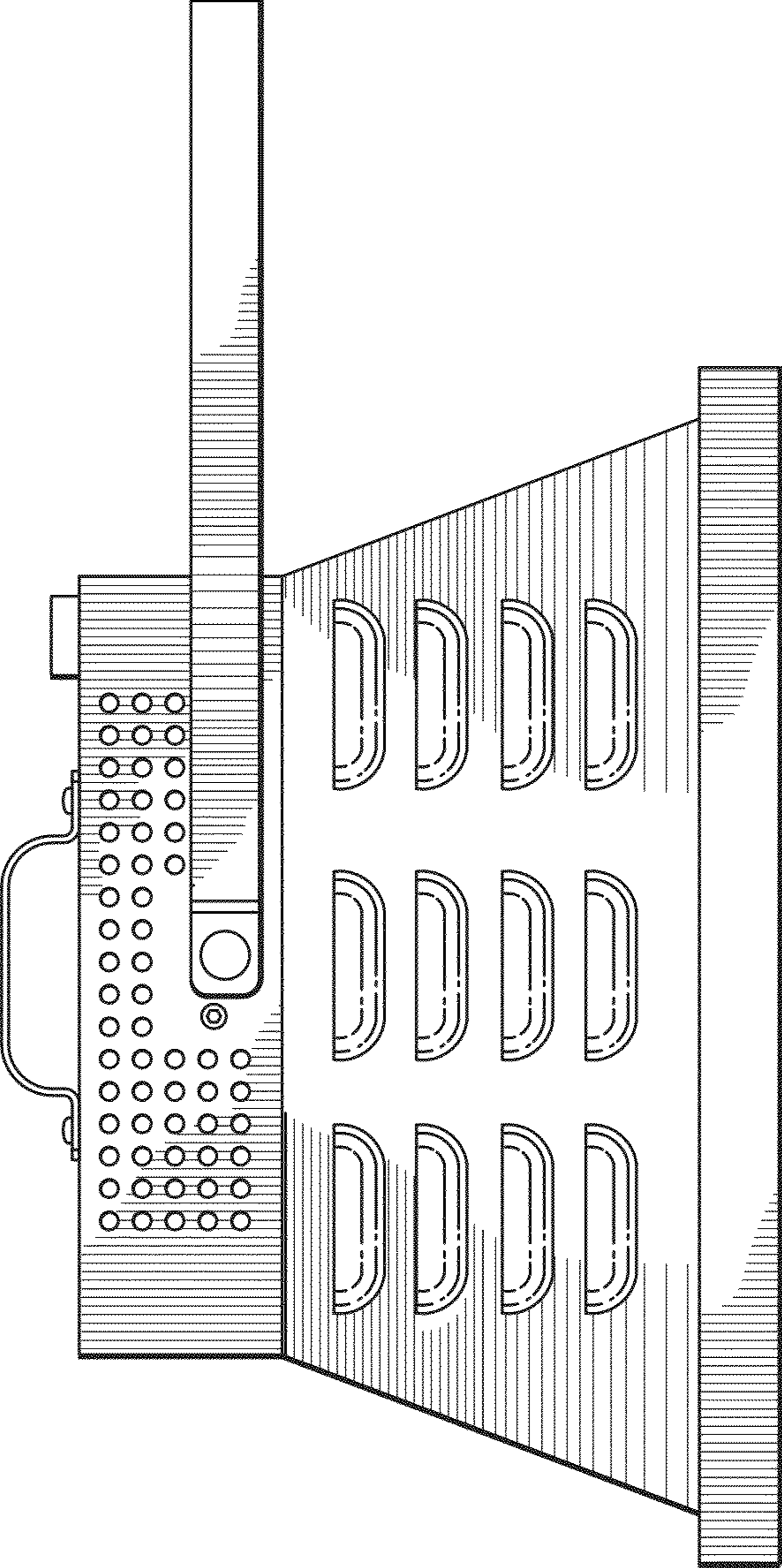


FIG. 7

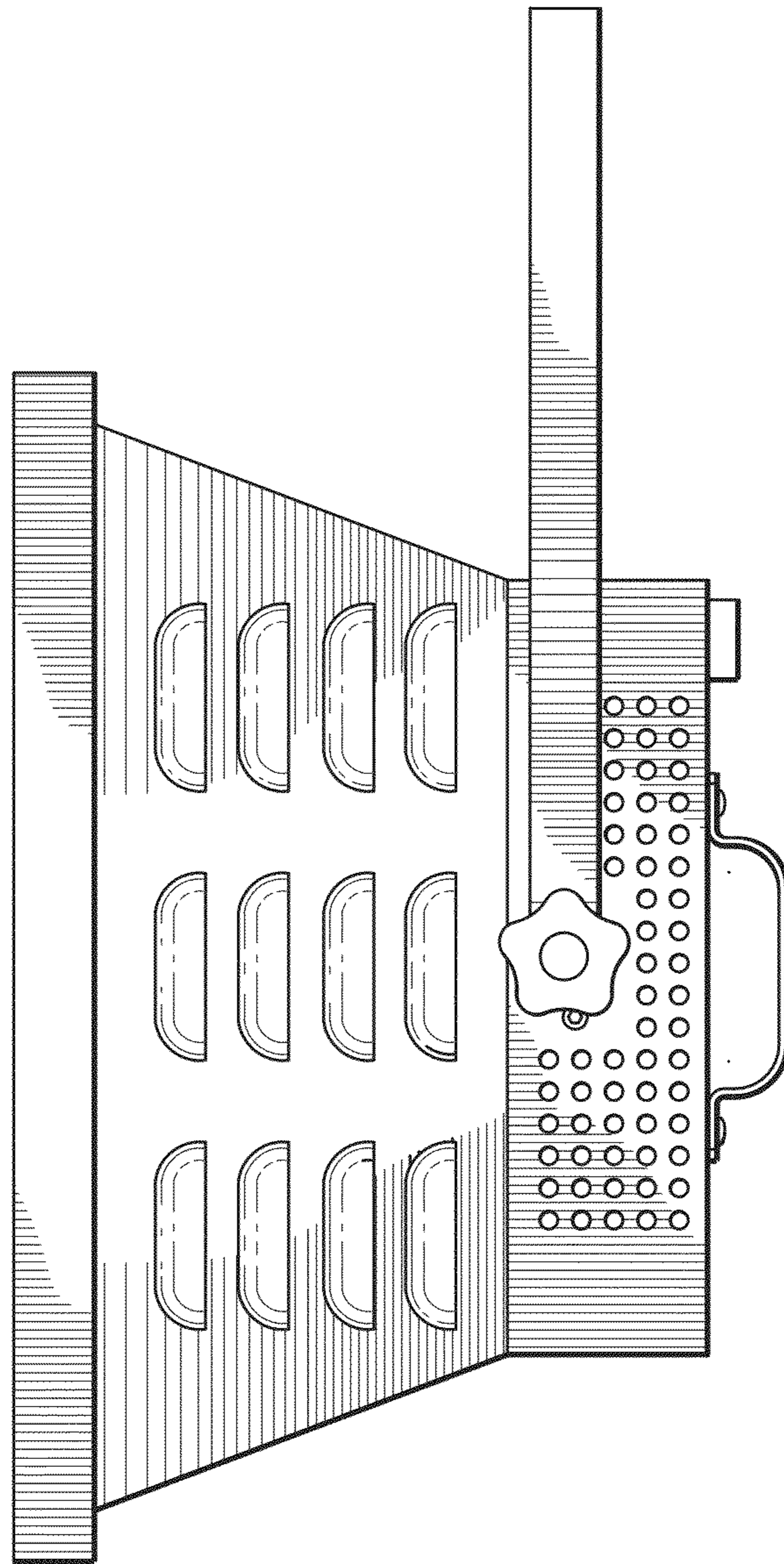


FIG. 8

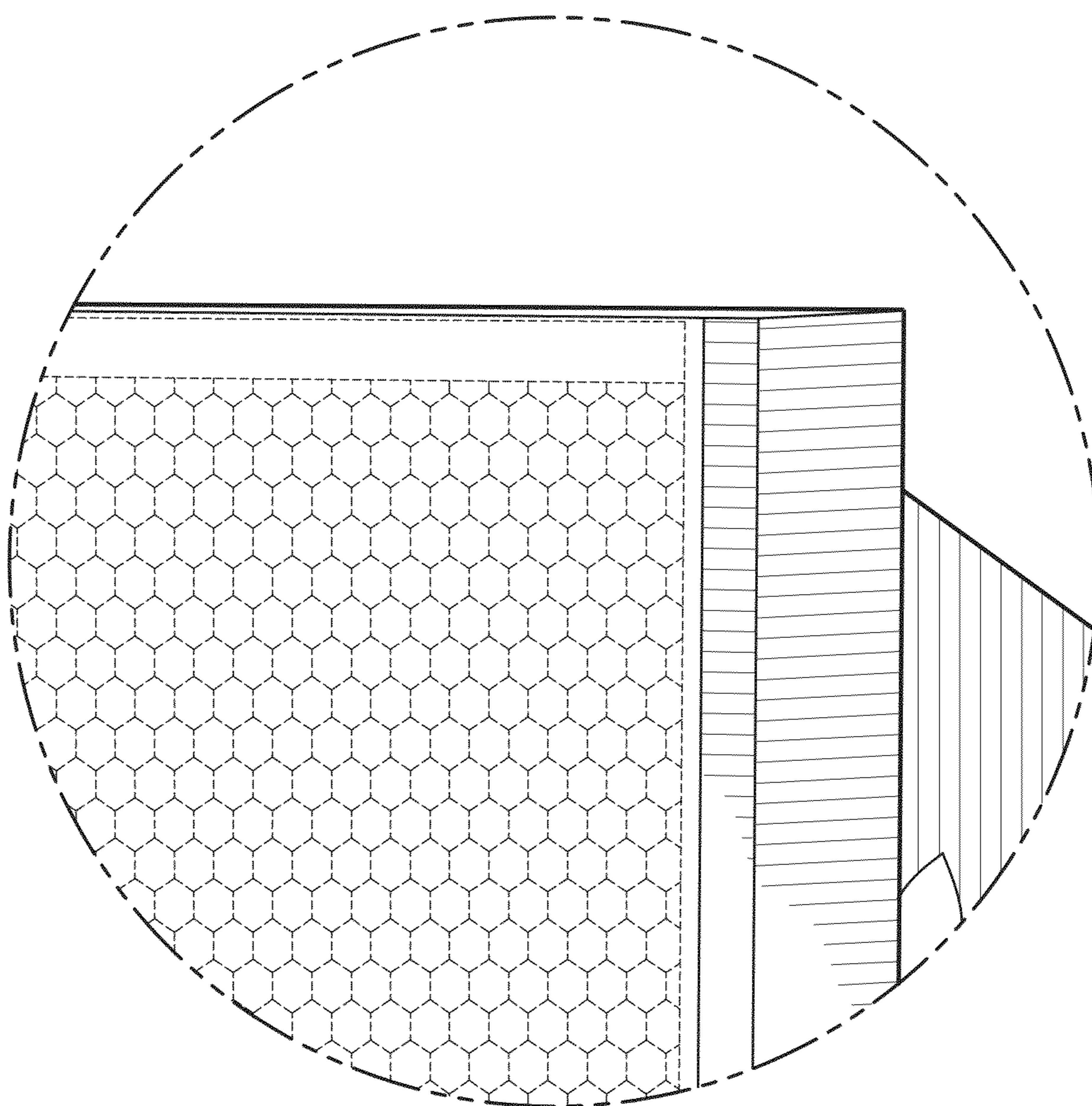


FIG. 9