



US00D725806S

(12) **United States Design Patent**
Yakushi

(10) **Patent No.:** **US D725,806 S**
(45) **Date of Patent:** **** Mar. 31, 2015**

(54) **VEHICLE LAMP**

D657,081 S * 4/2012 Alisaukas et al. D26/28
D670,839 S * 11/2012 Smarslik D26/28
D693,035 S * 11/2013 Datz et al. D26/28

(71) Applicant: **Kabushiki Kaisha Toyota Jidoshokki,**
Kariya-shi, Aichi (JP)

FOREIGN PATENT DOCUMENTS

(72) Inventor: **Tadayuki Yakushi,** Kariya (JP)

TW 141258 6/2011
TW 141260 6/2011
TW 146928 5/2012

(73) Assignee: **Kabushiki Kaisha Toyota Jidoshokki,**
Aichi (JP)

* cited by examiner

(**) Term: **14 Years**

Primary Examiner — Marcus Jackson

(21) Appl. No.: **29/451,813**

(74) *Attorney, Agent, or Firm* — Sughrue Mion, PLLC

(22) Filed: **Apr. 9, 2013**

(30) **Foreign Application Priority Data**

(57) **CLAIM**

Oct. 12, 2012 (JP) 2012-024857

The ornamental design for a vehicle lamp, as shown and described.

(51) **LOC (10) Cl.** **26-06**

DESCRIPTION

(52) **U.S. Cl.**
USPC **D26/28**

(58) **Field of Classification Search**
USPC D26/28-36; 362/459-468, 475-478,
362/485-487
See application file for complete search history.

FIG. 1 is a front view of a vehicle lamp of the present invention.
FIG. 2 is a rear view of the vehicle lamp of FIG. 1.
FIG. 3 is a top plan view of the vehicle lamp of FIG. 1.
FIG. 4 is a bottom view of the vehicle lamp of FIG. 1.
FIG. 5 is a right side view of the vehicle lamp of FIG. 1.
FIG. 6 is a left side view of the vehicle lamp of FIG. 1.
FIG. 7 is a front perspective of the vehicle lamp of FIG. 1; and,
FIG. 8 is a rear perspective view of the vehicle lamp of FIG. 1.

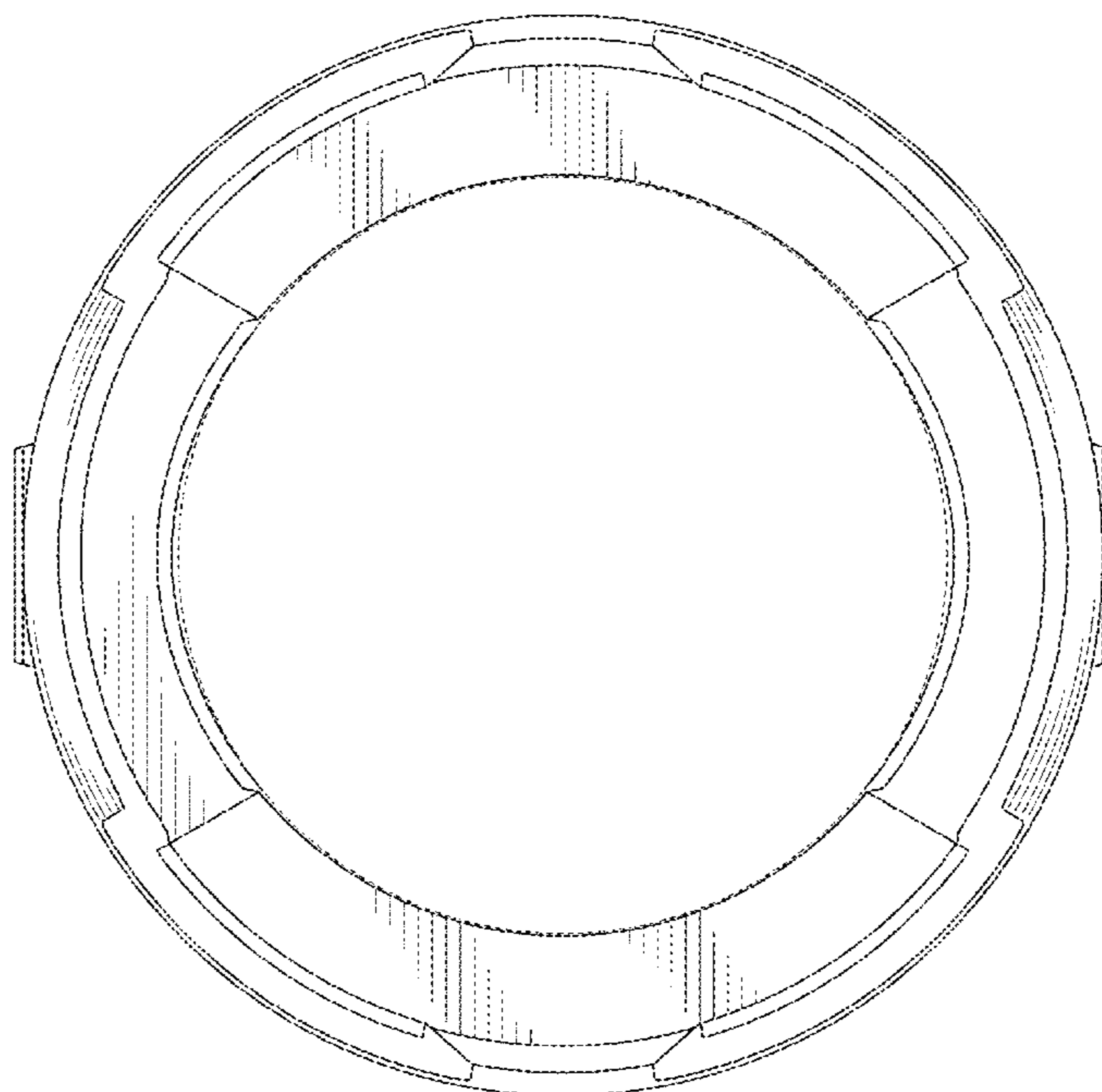
(56) **References Cited**

U.S. PATENT DOCUMENTS

D570,009 S * 5/2008 Kani et al. D26/28
D601,727 S * 10/2009 Huang D26/28
D605,789 S * 12/2009 Ko D26/28
D626,670 S * 11/2010 Metzger et al. D26/28
D639,468 S 6/2011 Huang

1.
The features shown in broken lines depict environmental subject matter only and form no part of the claimed design.

1 Claim, 8 Drawing Sheets



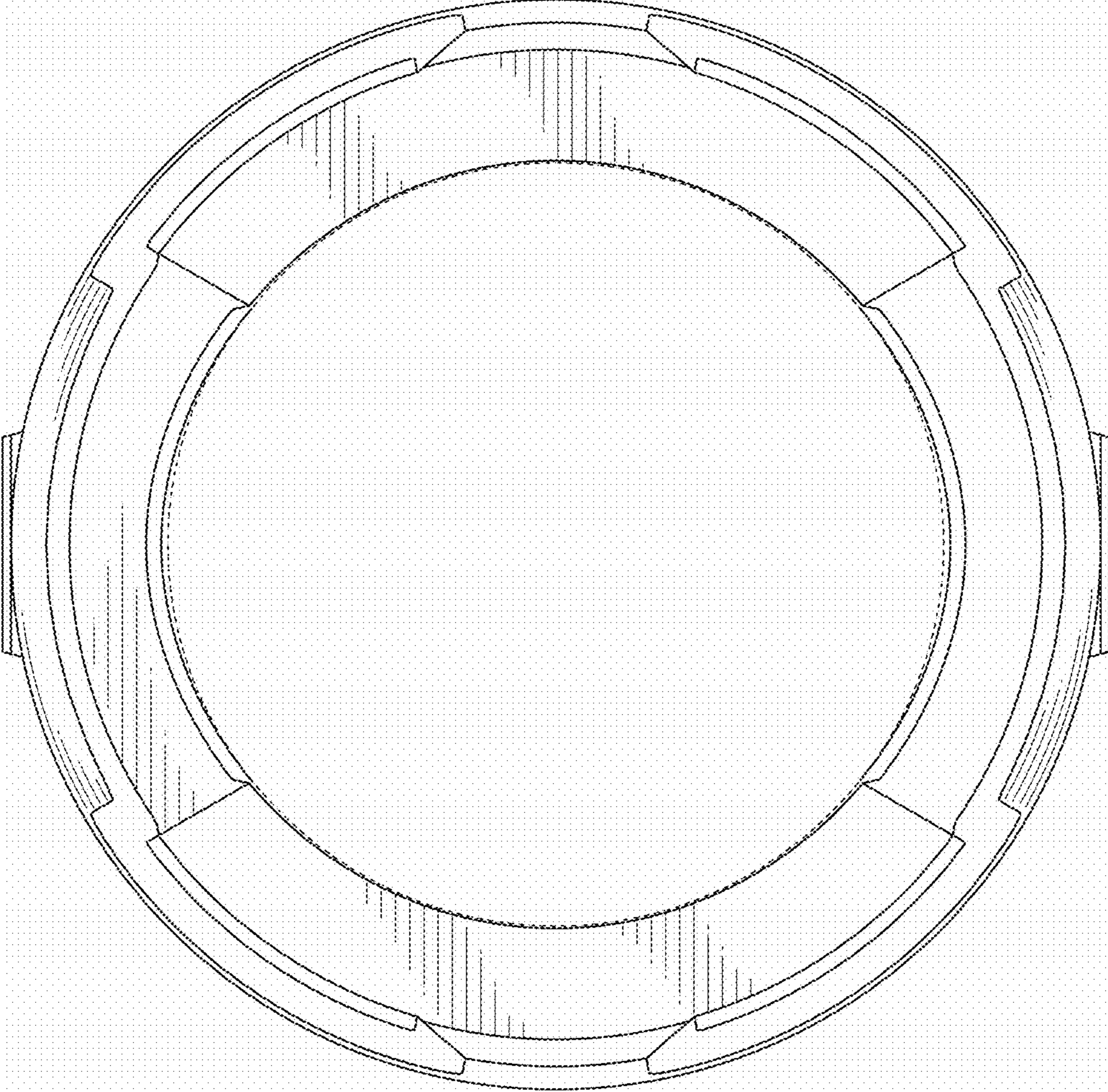


FIG. 1

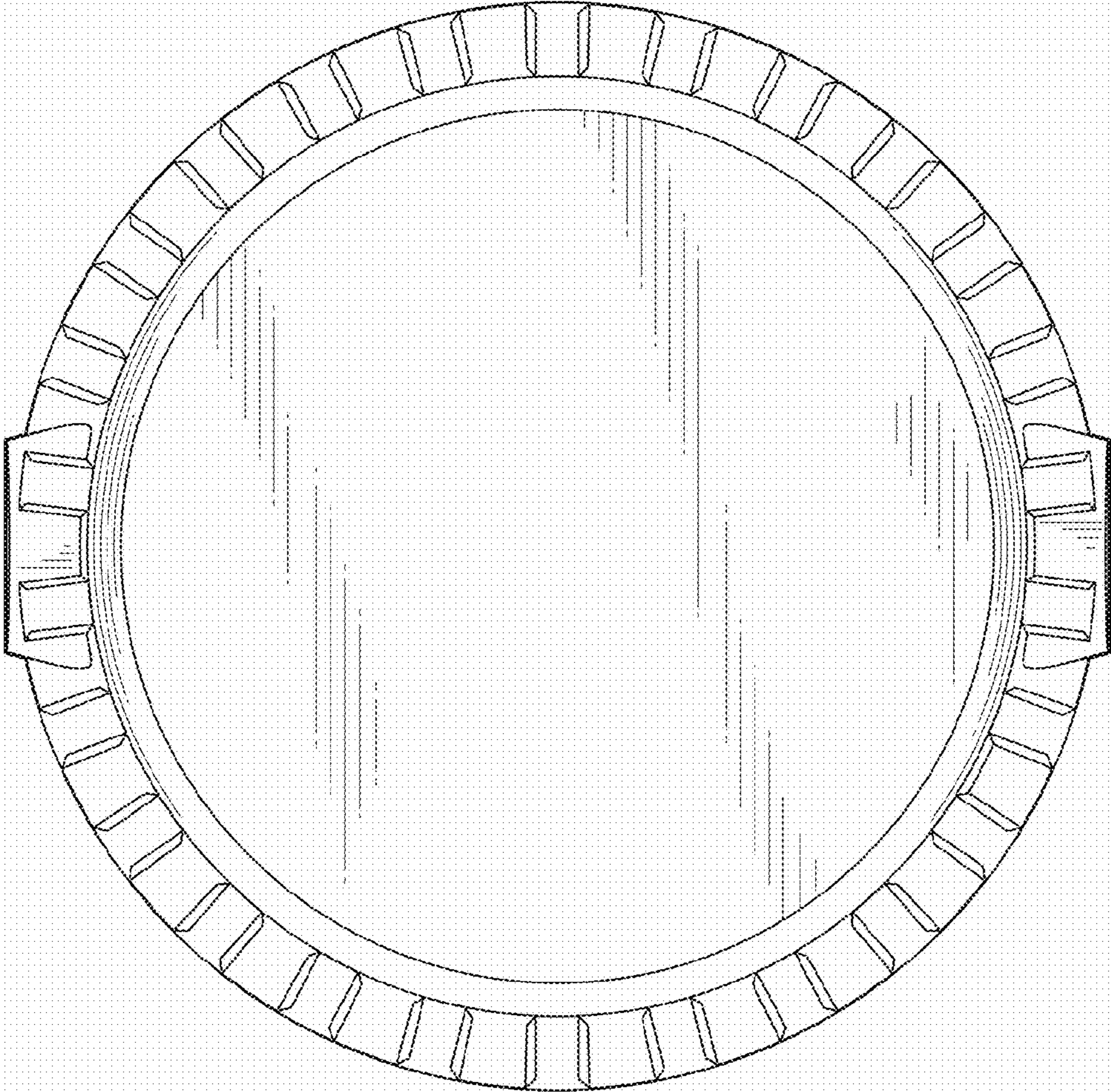


FIG. 2

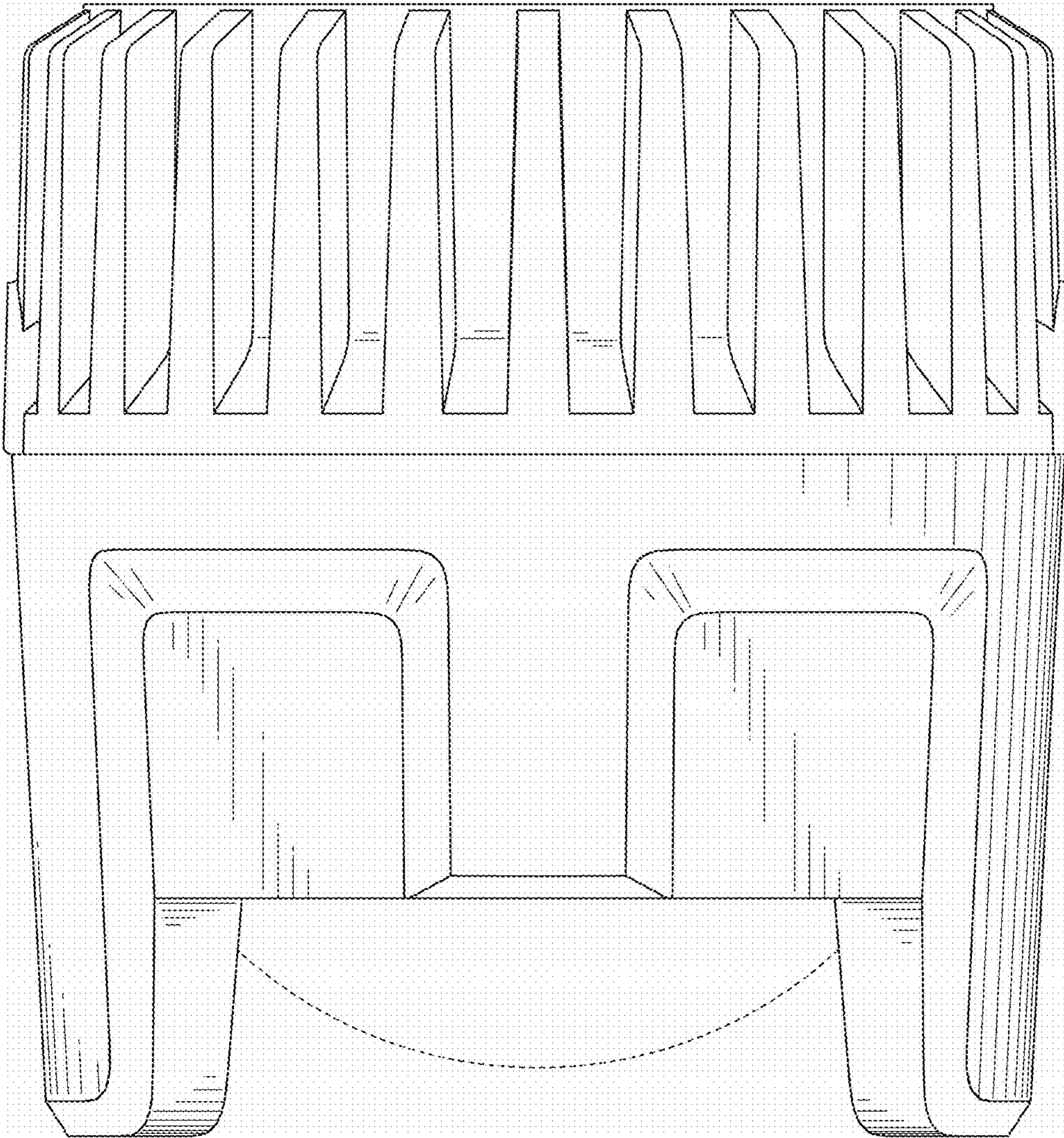


FIG. 3

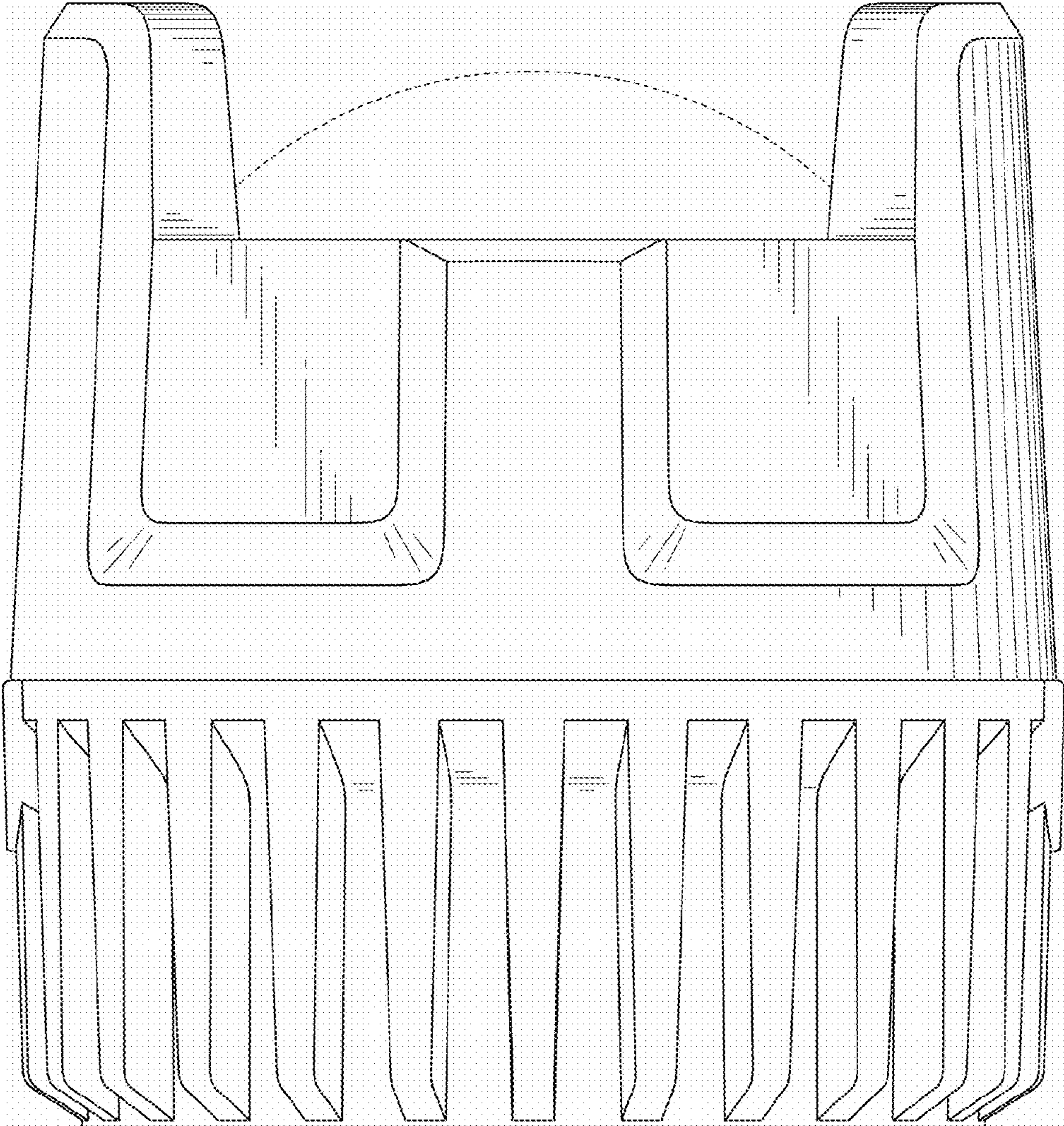


FIG. 4

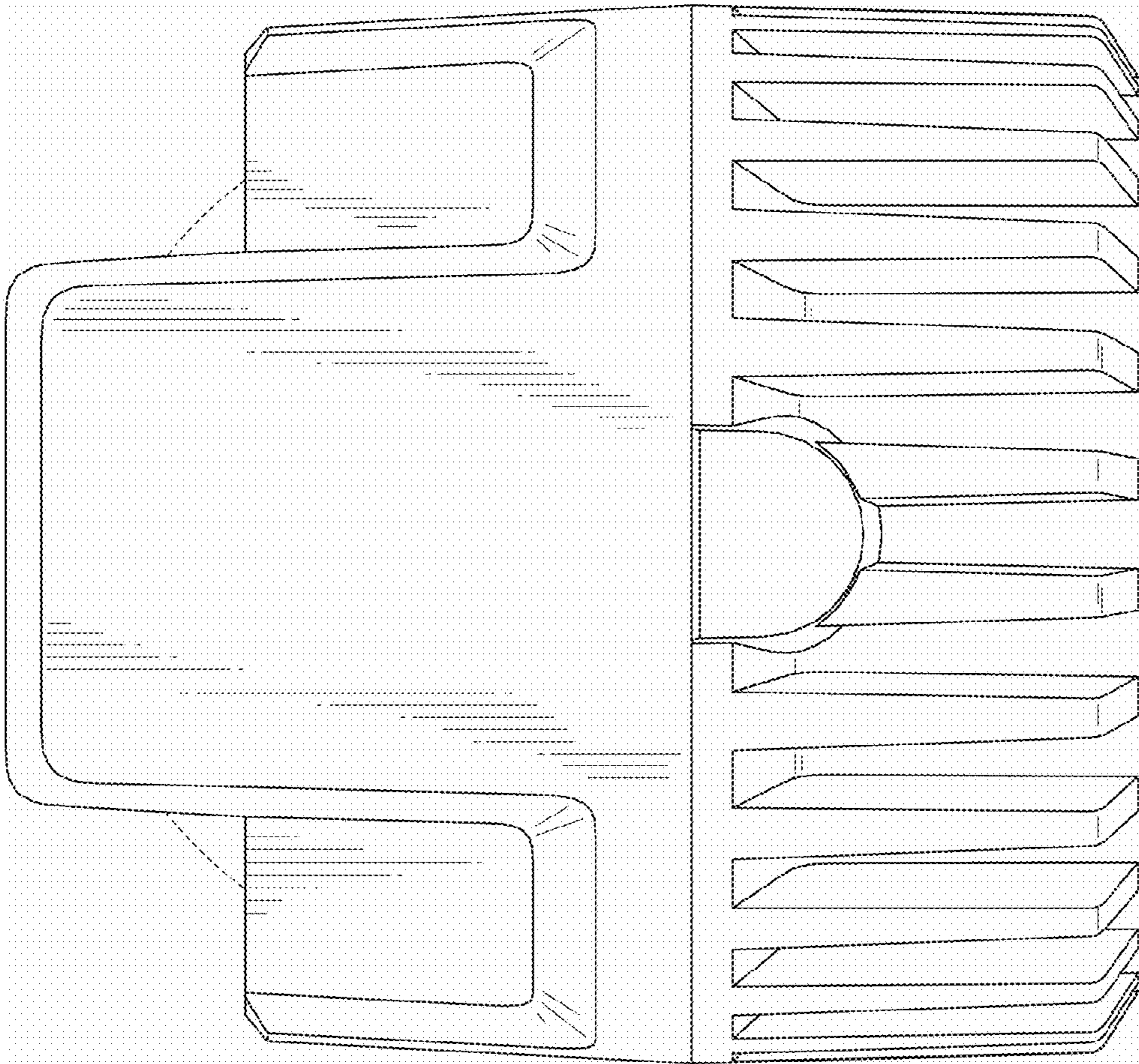


FIG. 5

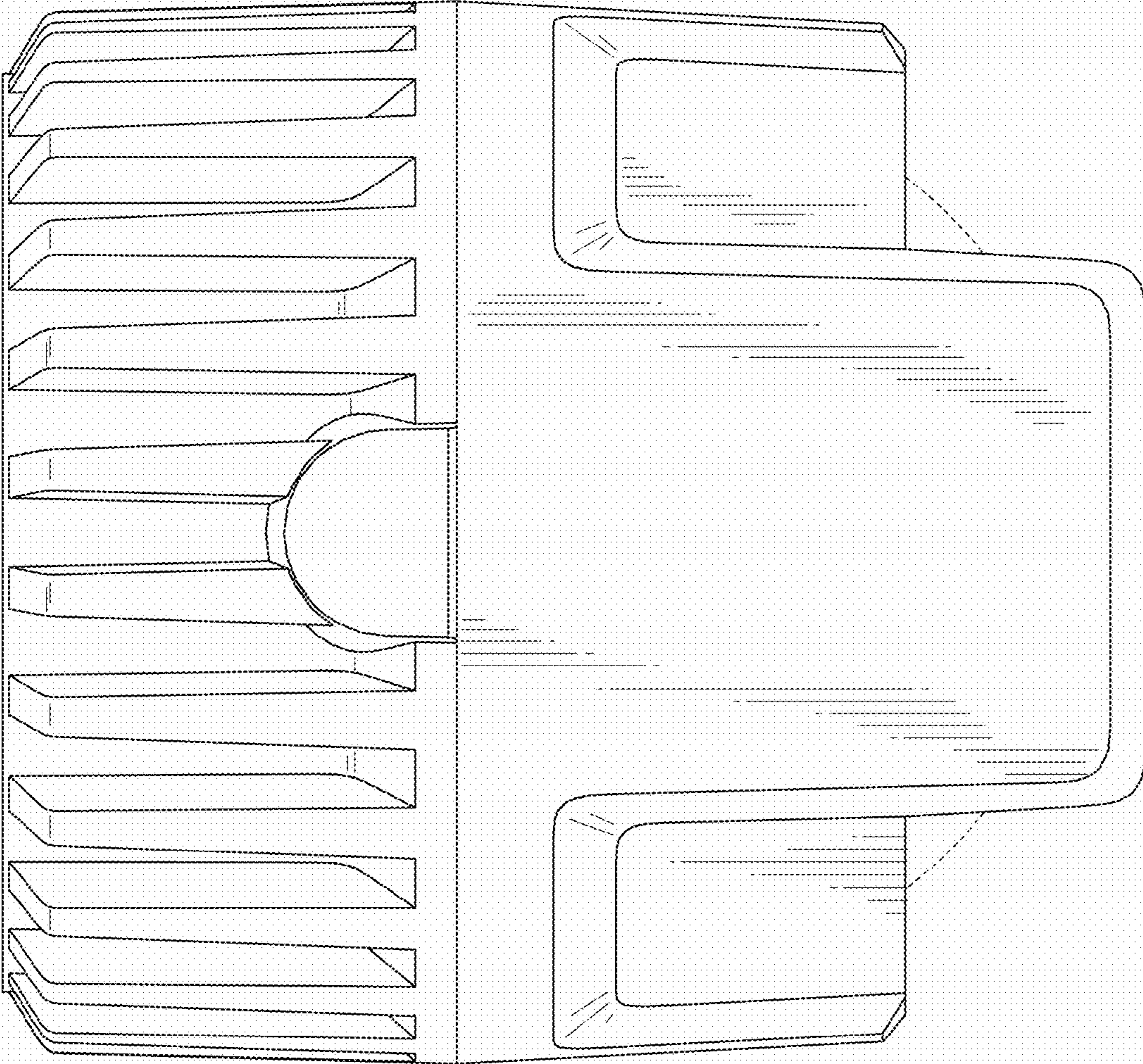


FIG. 6

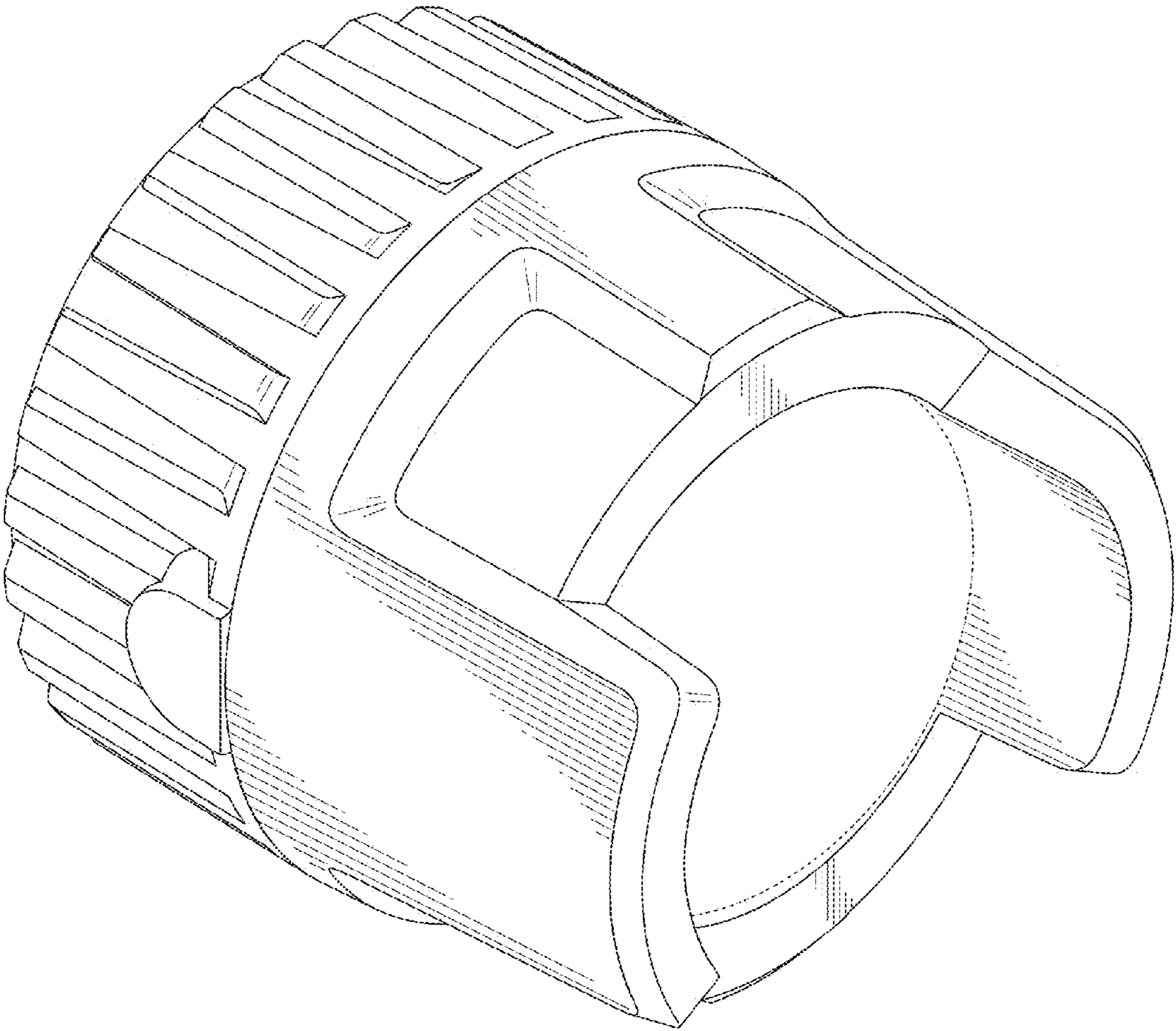


FIG. 7

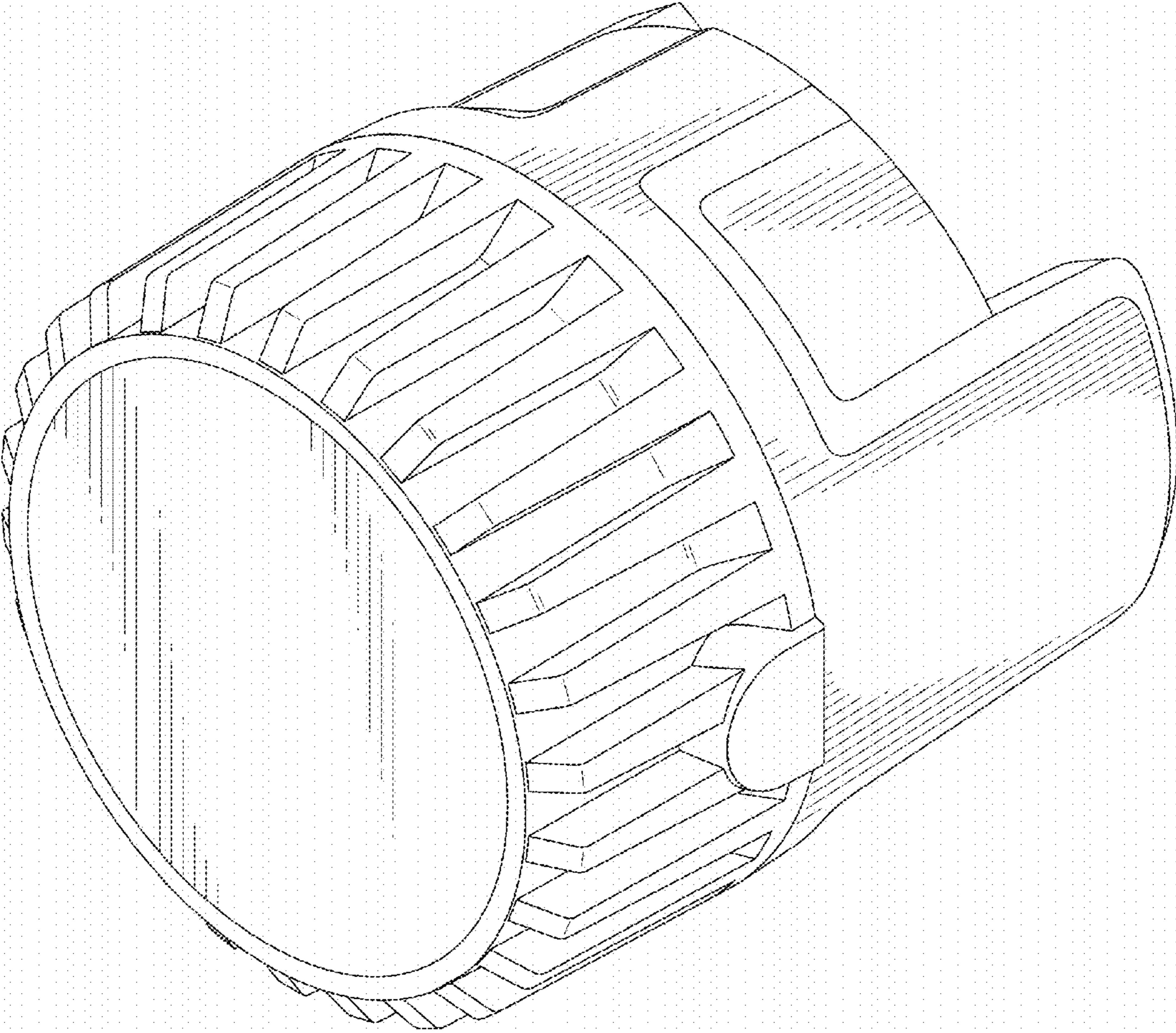


FIG. 8