



US00D725805S

(12) **United States Design Patent**
Dickman et al.

(10) **Patent No.:** **US D725,805 S**
(45) **Date of Patent:** **** Mar. 31, 2015**

(54) **HEADLIGHT FOR A VEHICLE**

(75) Inventors: **Ryan Dickman**, Portland, OR (US);
Michael Gatza, Portland, OR (US);
Dieter Rohkohl, Portland, OR (US);
Justin Yee, Portland, OR (US)

(73) Assignee: **Daimler AG**, Stuttgart (DE)

(**) Term: **14 Years**

(21) Appl. No.: **29/432,201**

(22) Filed: **Sep. 14, 2012**

(30) **Foreign Application Priority Data**

Mar. 16, 2012 (EM) 002009969-0001

(51) **LOC (10) Cl.** **26-06**

(52) **U.S. Cl.**
USPC **D26/28**

(58) **Field of Classification Search**
USPC D26/28-36, 139; 362/459-468,
362/475-478, 485-487
See application file for complete search history.

(56) **References Cited**

U.S. PATENT DOCUMENTS

D470,954 S * 2/2003 Isayama et al. D26/28
D472,656 S * 4/2003 Pfeiffer et al. D26/28
D518,197 S * 3/2006 Osawa D26/28

D526,427 S * 8/2006 Morioka D26/28
D550,383 S * 9/2007 Asai D26/28
D691,753 S * 10/2013 Smarslik D26/28

* cited by examiner

Primary Examiner — Marcus Jackson

(74) *Attorney, Agent, or Firm* — Crowell & Moring LLP

(57) **CLAIM**

The ornamental design for a headlight for a vehicle, as shown and described.

DESCRIPTION

This application contains subject matter related to the following co-pending U.S. design patent applications:

Application Ser. No. 29/432,195, filed herewith and entitled “Vehicle, Toy, and/or Replicas Thereof”; and

Application Ser. No. 29/432,205, filed herewith and entitled “Headlight for a Vehicle”.

FIG. 1 is a right perspective view of a first embodiment of a headlight for a vehicle according to our design;

FIG. 2 is a left perspective view thereof; and

FIG. 3 is a front view thereof.

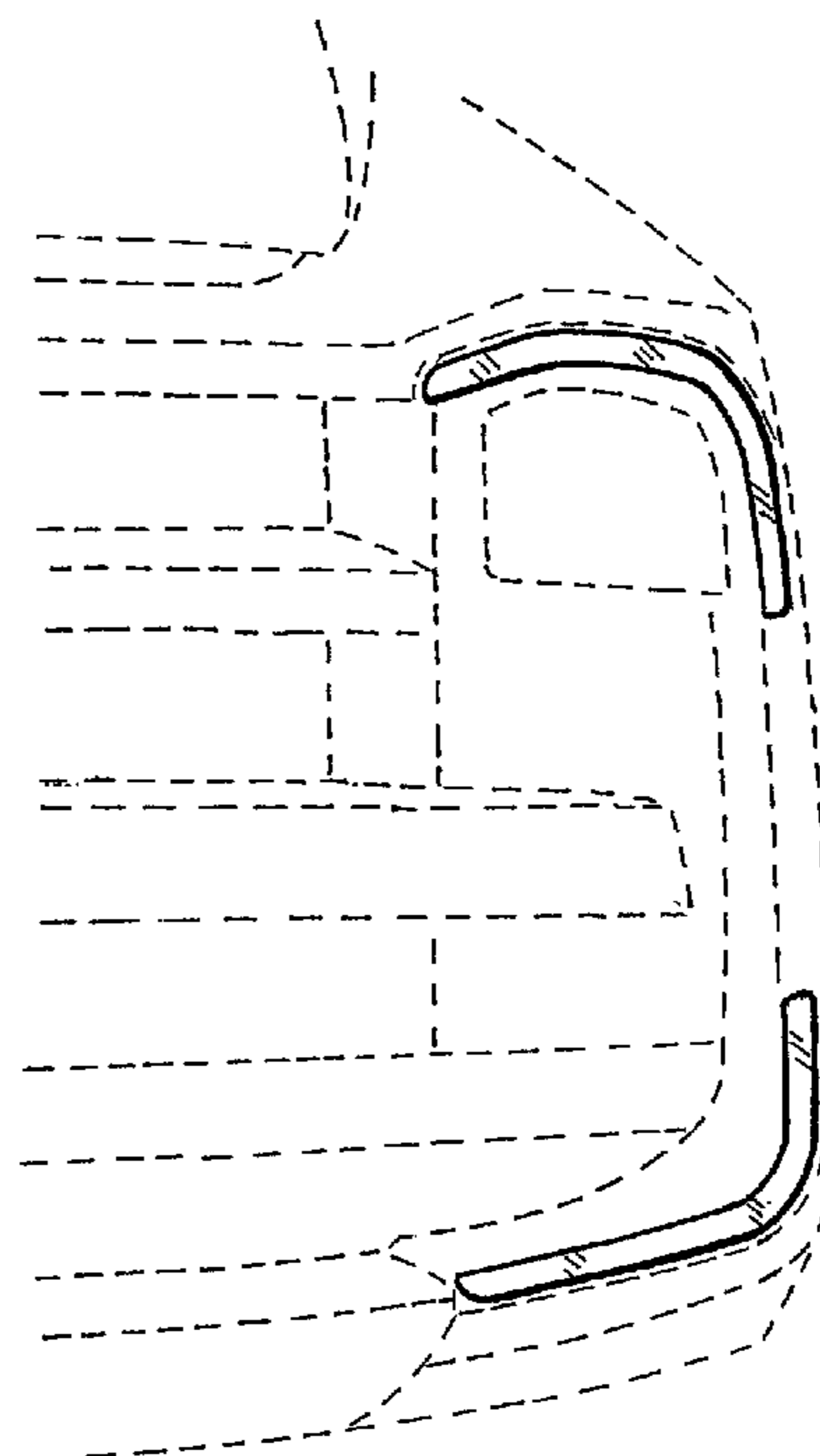
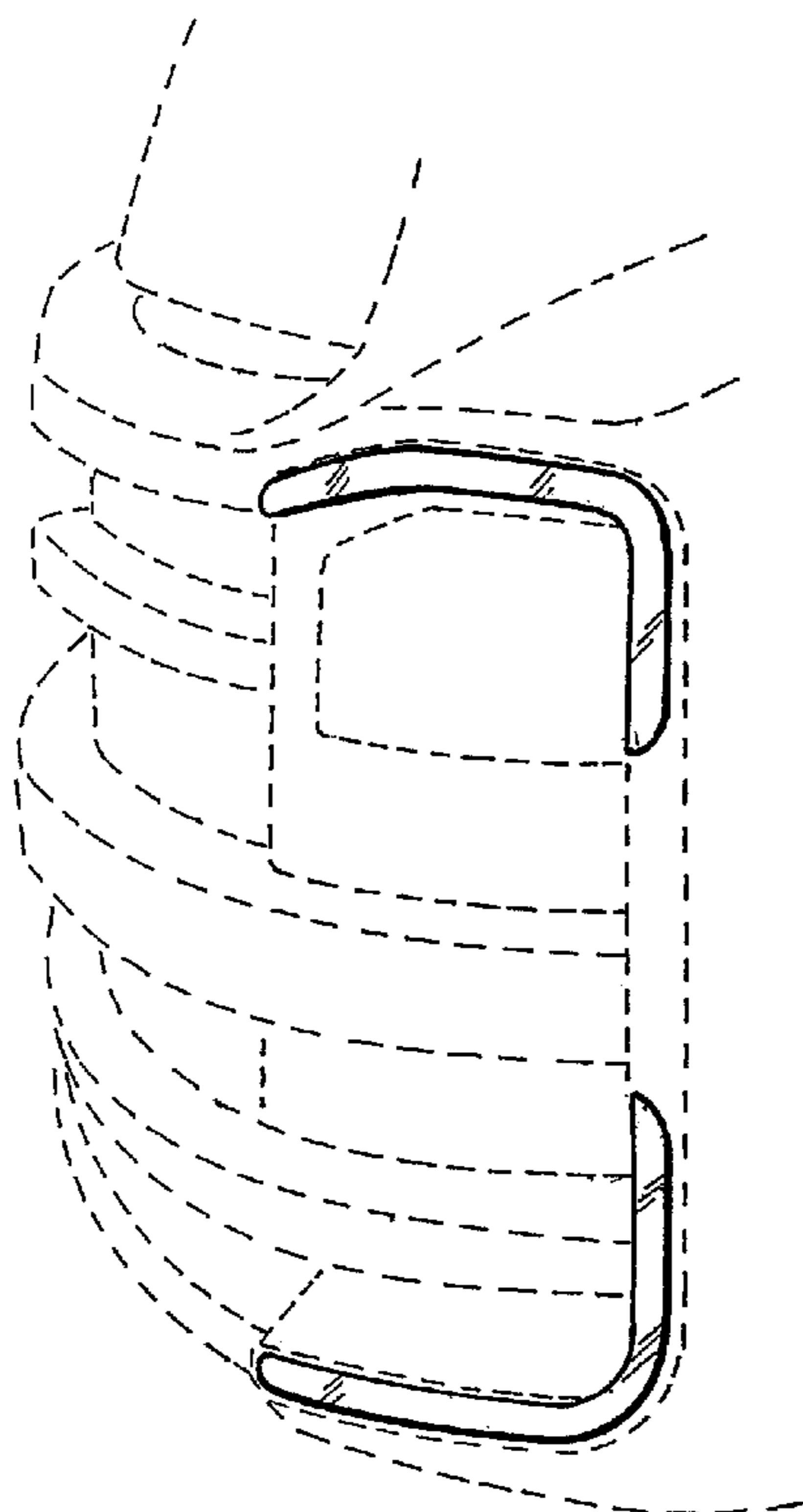
FIG. 4 is a left perspective view of a second embodiment of the headlight for a vehicle according to our design;

FIG. 5 is a right perspective view thereof; and,

FIG. 6 is a front view thereof.

The broken lines are for illustrative purposes only and form no part of the claimed design.

1 Claim, 3 Drawing Sheets



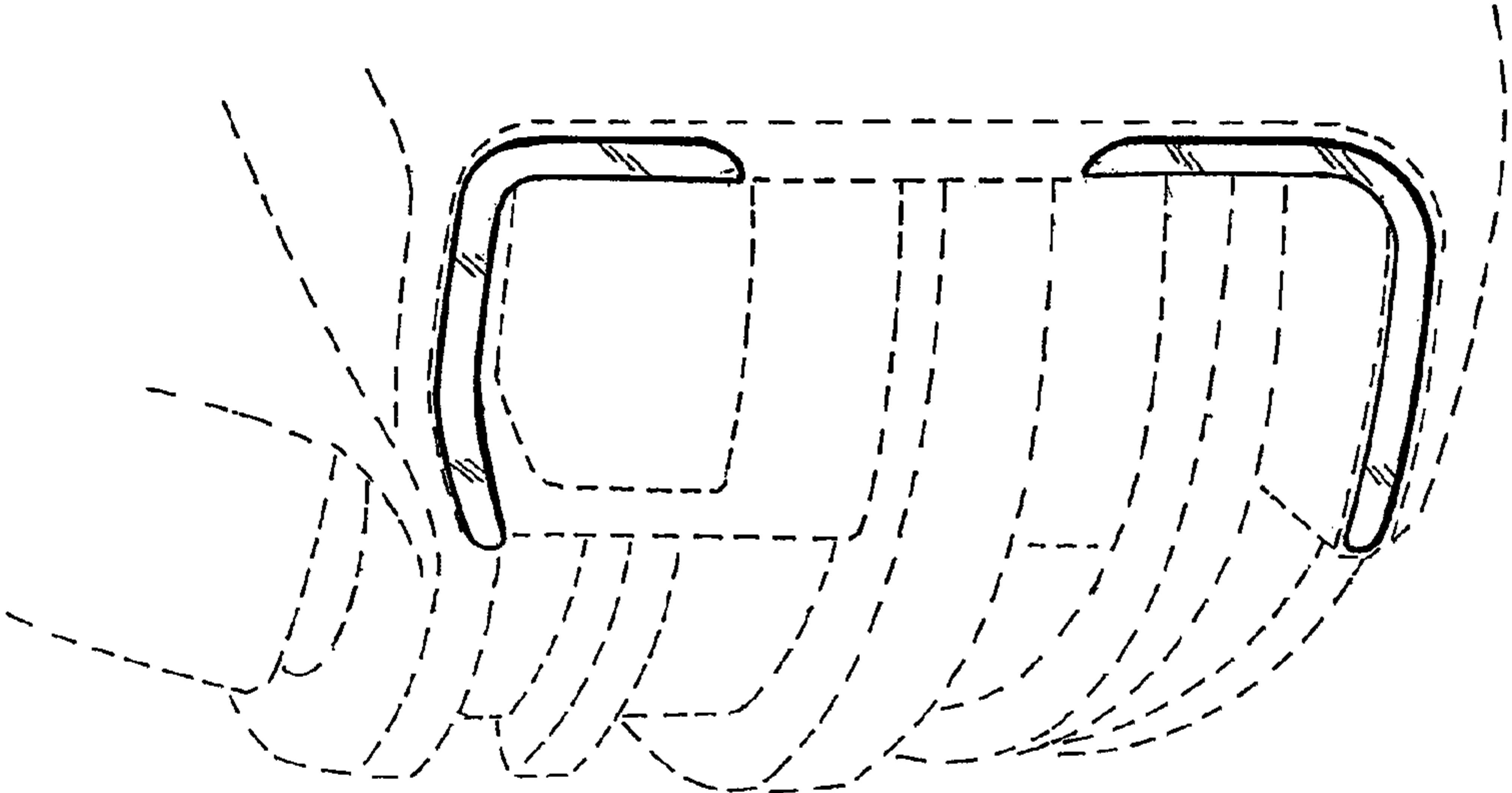


FIG. 1

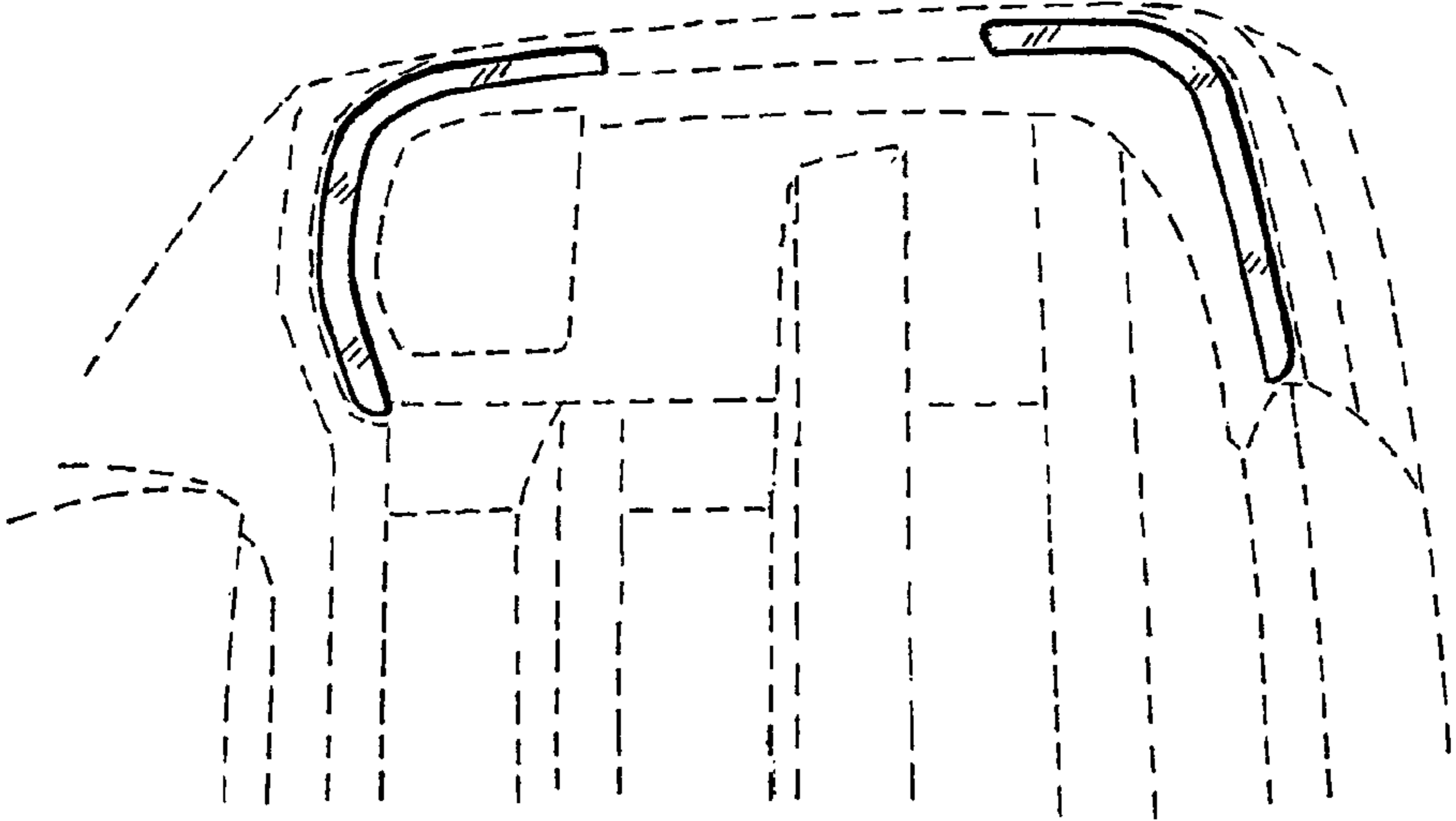


FIG. 2

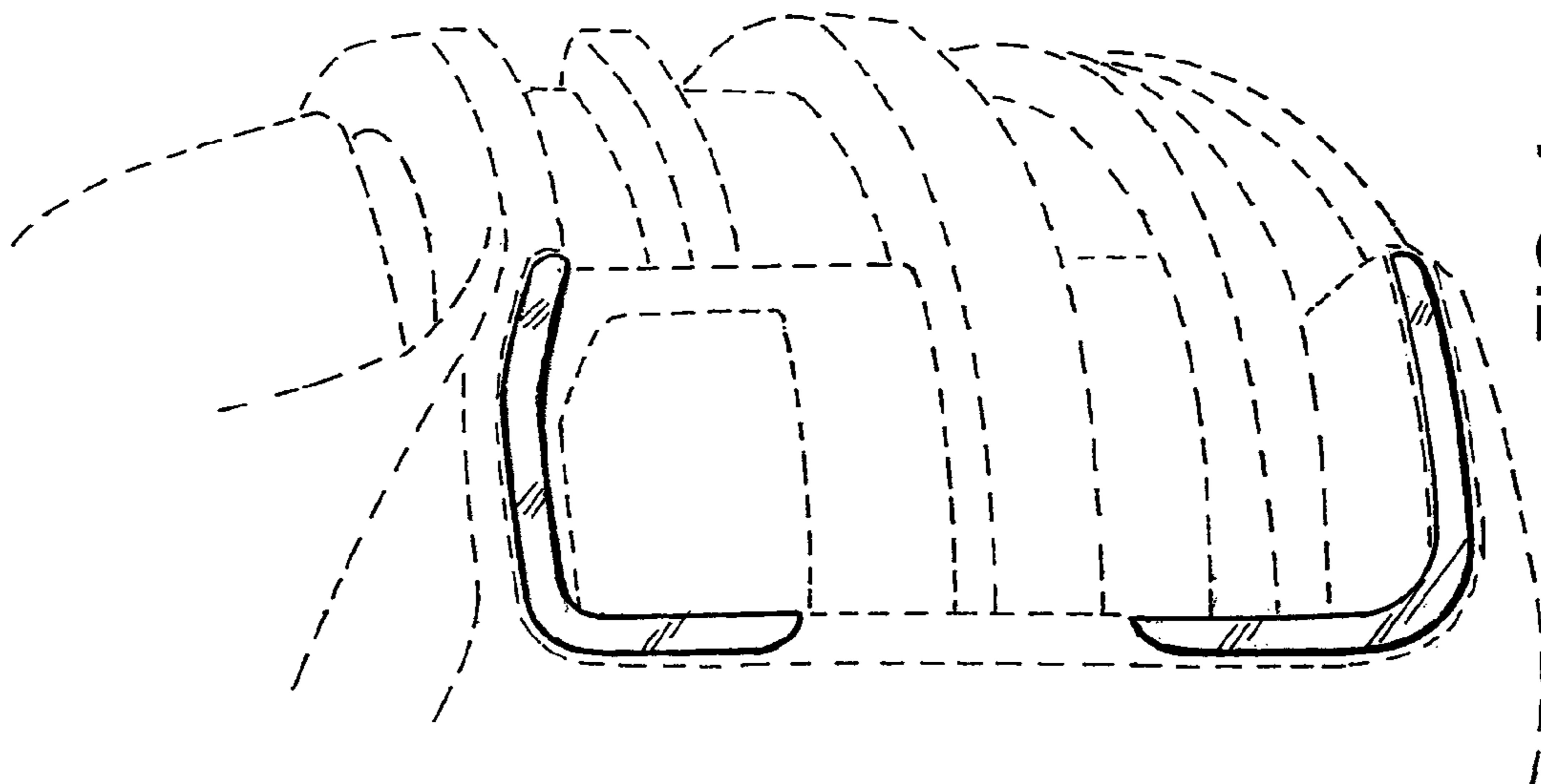


FIG. 4

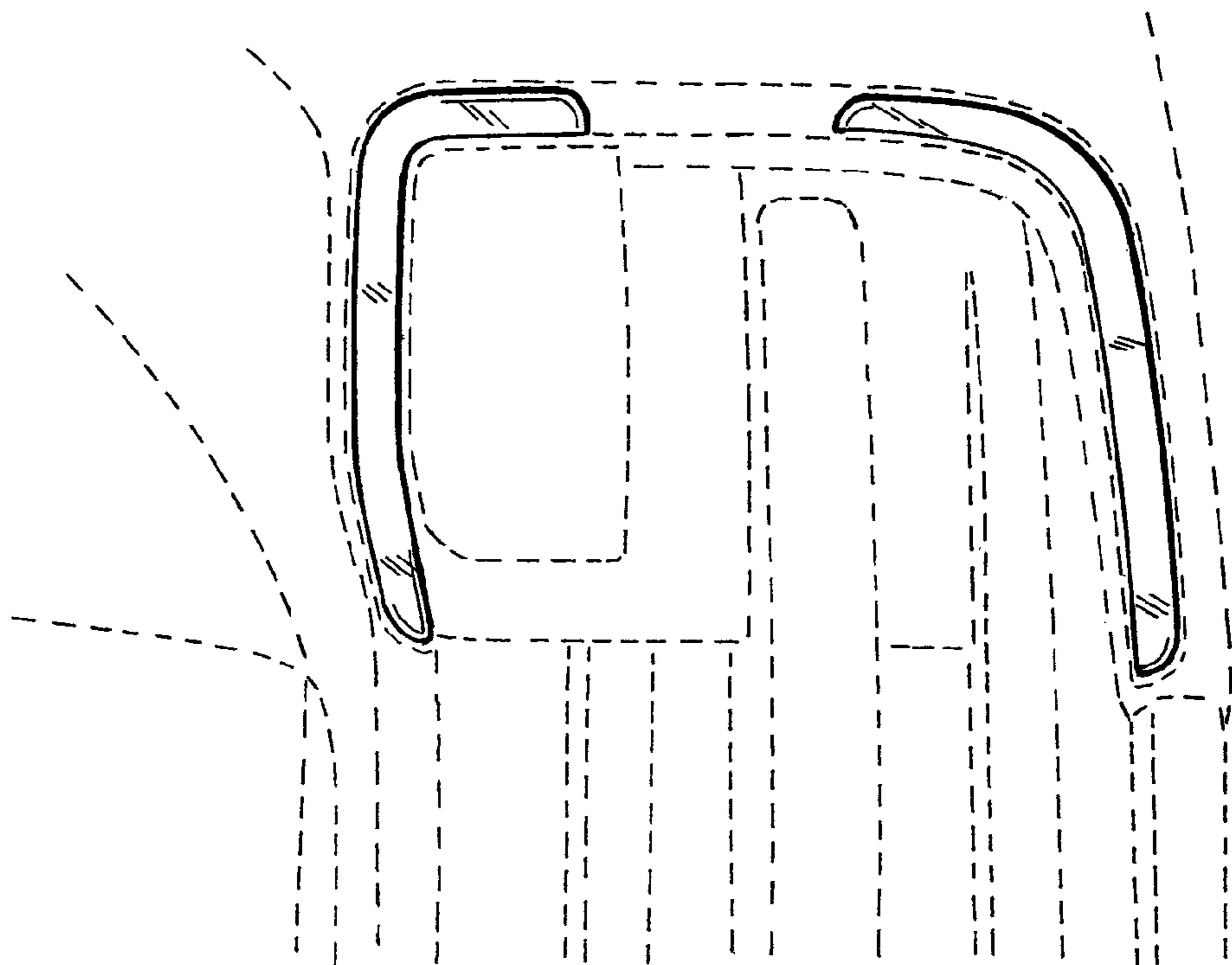


FIG. 3

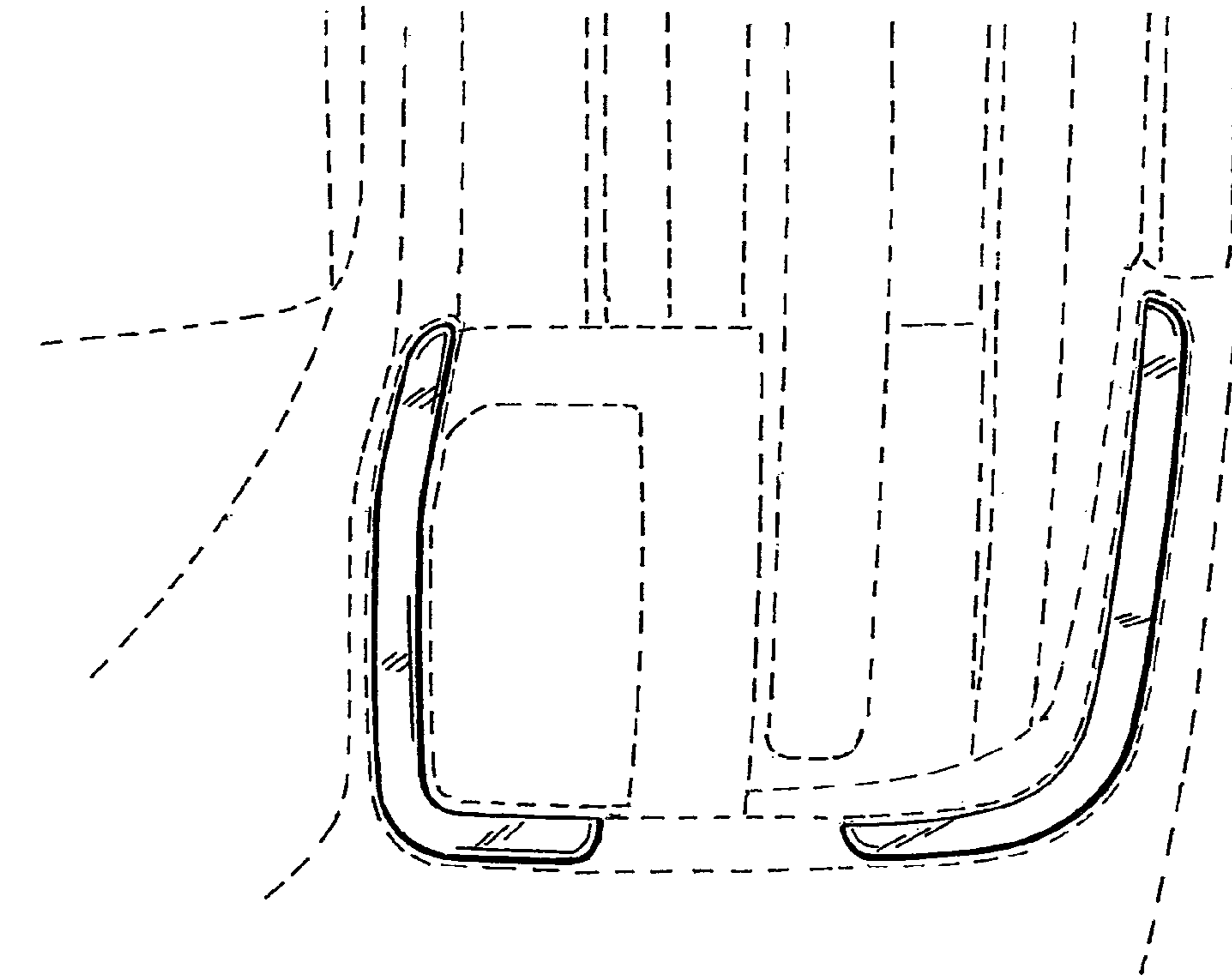


FIG. 6

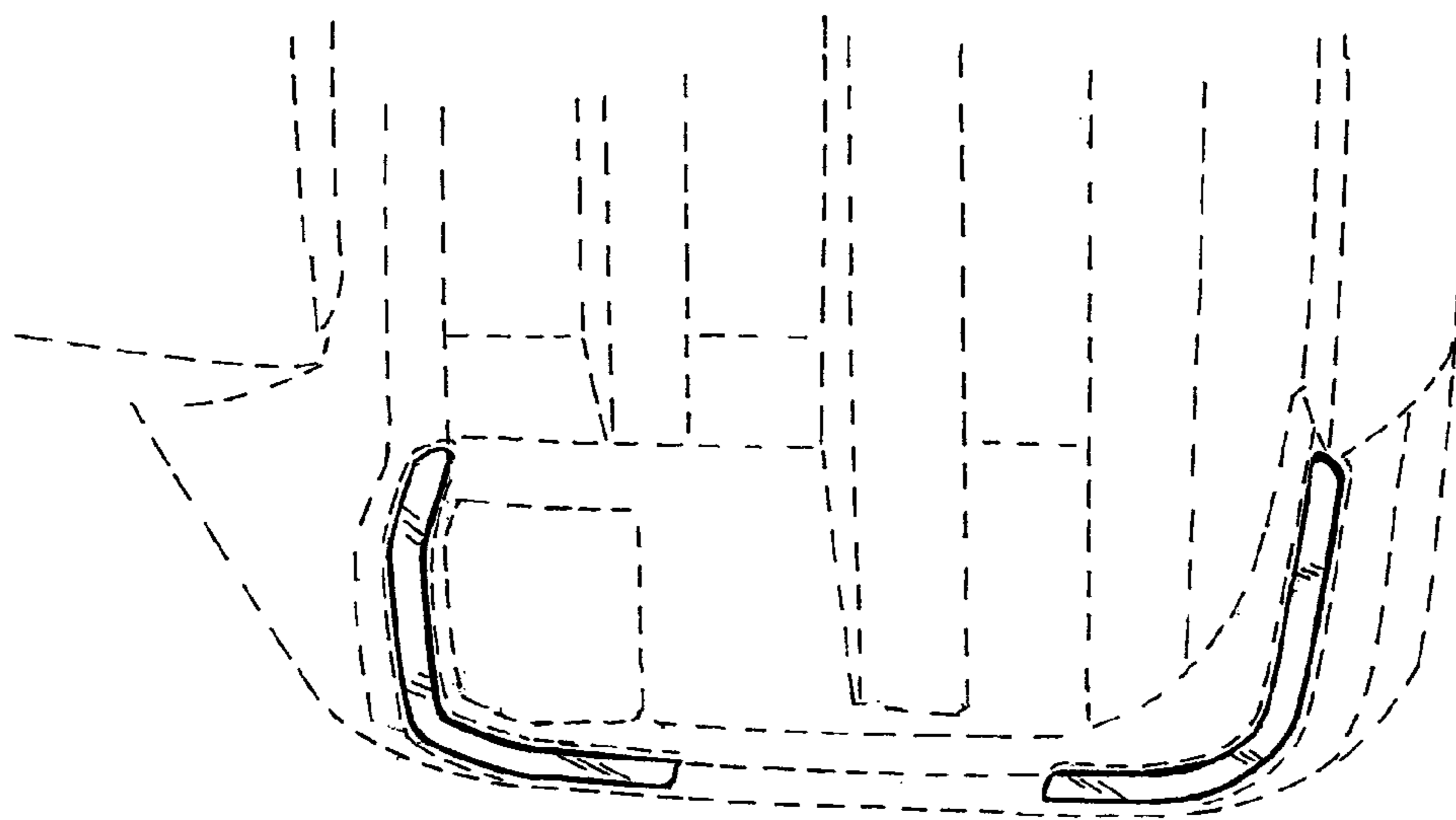


FIG. 5