



US00D725803S

(12) **United States Design Patent**
Kuo

(10) **Patent No.:** **US D725,803 S**
(45) **Date of Patent:** **** Mar. 31, 2015**

(54) **BULB**
(71) Applicant: **Chao-Cheng Kuo**, Kaohsiung (TW)
(72) Inventor: **Chao-Cheng Kuo**, Kaohsiung (TW)
(**) Term: **14 Years**
(21) Appl. No.: **29/471,245**
(22) Filed: **Oct. 30, 2013**

D531,741 S * 11/2006 Takahashi D26/2
D534,665 S * 1/2007 Egawa et al. D26/2
D538,953 S * 3/2007 Mama D26/2
D615,220 S * 5/2010 Crane et al. D26/2
D651,327 S * 12/2011 Hsiao et al. D26/2
D663,869 S * 7/2012 Choi et al. D26/2

* cited by examiner

Primary Examiner — Marcus Jackson
(74) *Attorney, Agent, or Firm* — Alan D. Kamrath; Kamrath IP Lawfirm, P.A.

(30) **Foreign Application Priority Data**
Aug. 13, 2013 (TW) 102305508
(51) **LOC (10) Cl.** **26-04**
(52) **U.S. Cl.**
USPC **D26/2**
(58) **Field of Classification Search**
USPC D26/1-4; 313/313, 315, 316, 317, 318,
313/493; 315/52, 53, 56, 57, 58
See application file for complete search history.

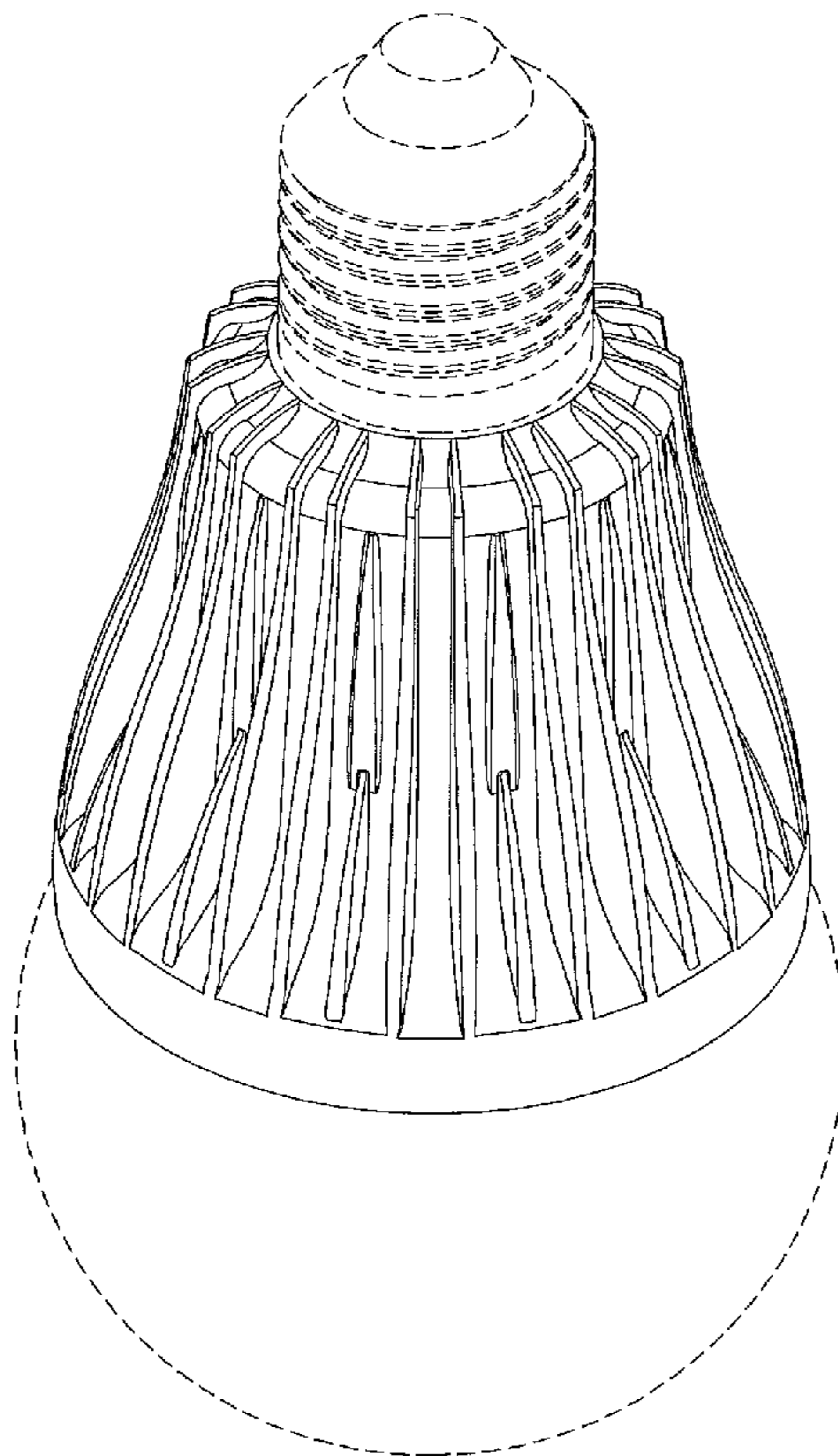
(57) **CLAIM**
The ornamental design for a bulb, as shown and described.

DESCRIPTION

FIG. 1 is a perspective view of a bulb showing my new design;
FIG. 2 is a front elevational view of the bulb;
FIG. 3 is a top plan view thereof;
FIG. 4 is a right side elevational view thereof;
FIG. 5 is a bottom plan view thereof;
FIG. 6 is a left side elevational view thereof; and,
FIG. 7 is a rear elevational view thereof.
The broken line showing of the top and bottom portion is included for the purpose of illustrating only and forms no part of the claimed design.

(56) **References Cited**
U.S. PATENT DOCUMENTS
D508,575 S * 8/2005 Buschmann et al. D26/2
D528,227 S * 9/2006 Chou et al. D26/2

1 Claim, 7 Drawing Sheets



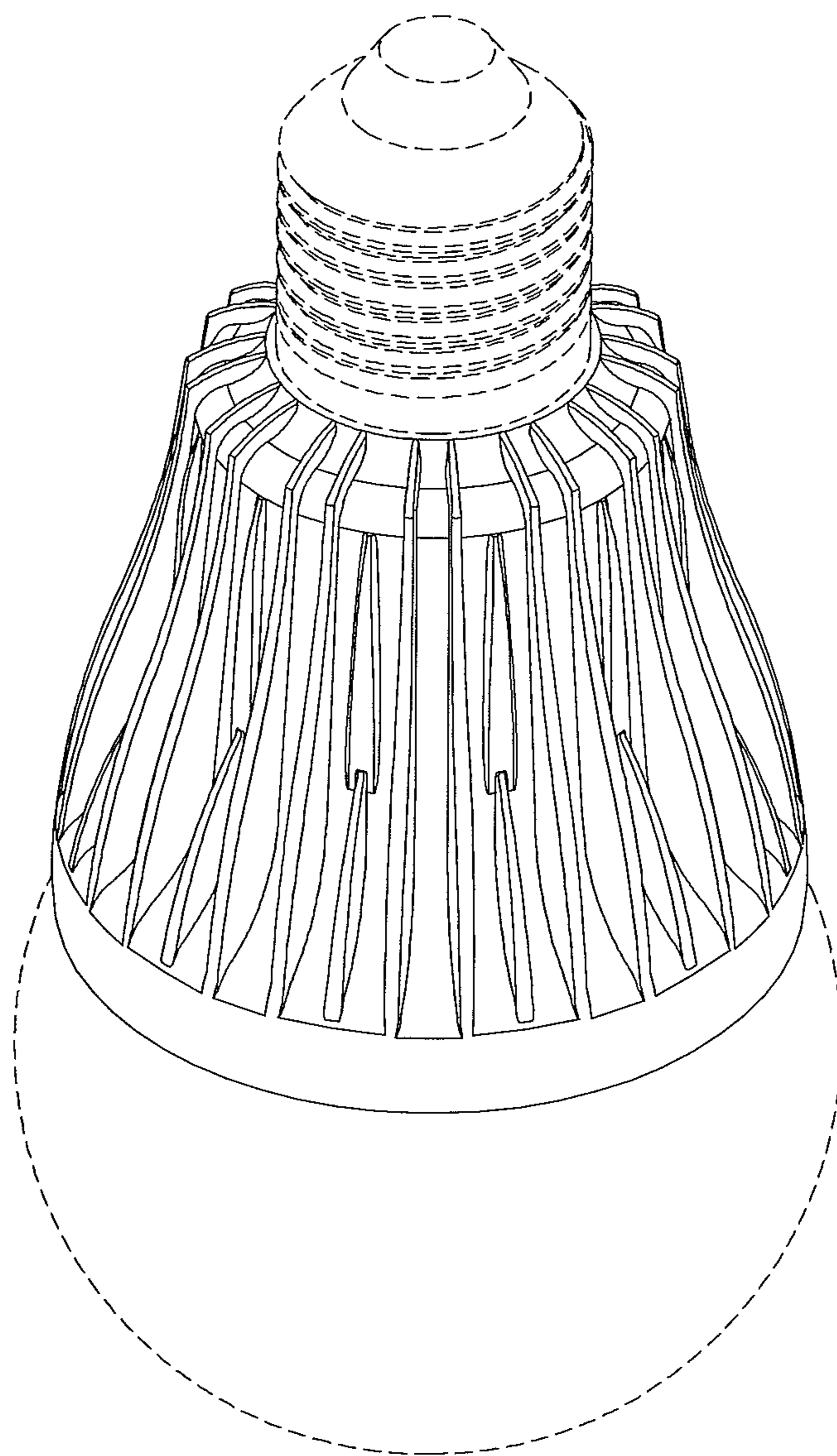


FIG. 1

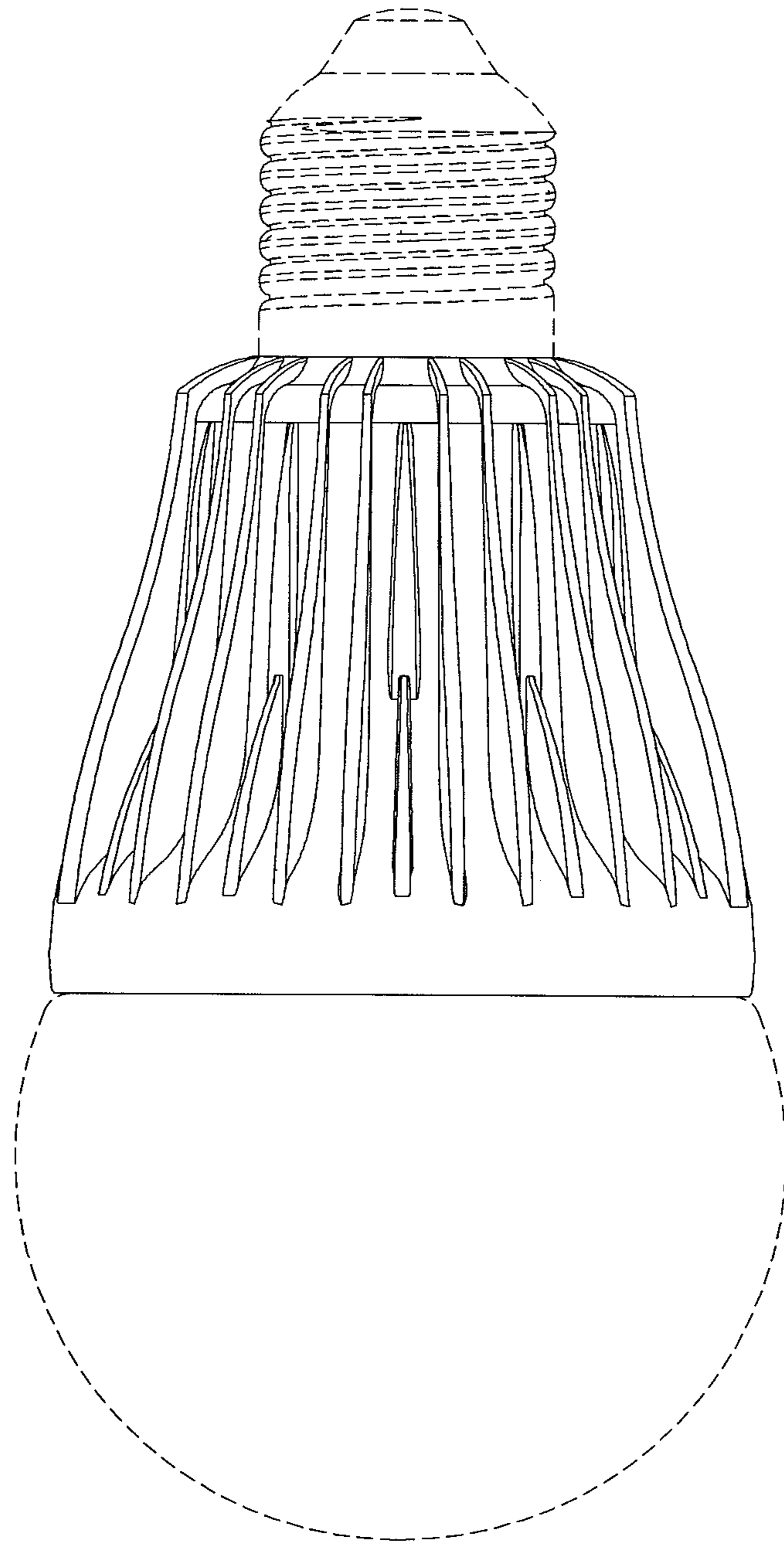


FIG. 2

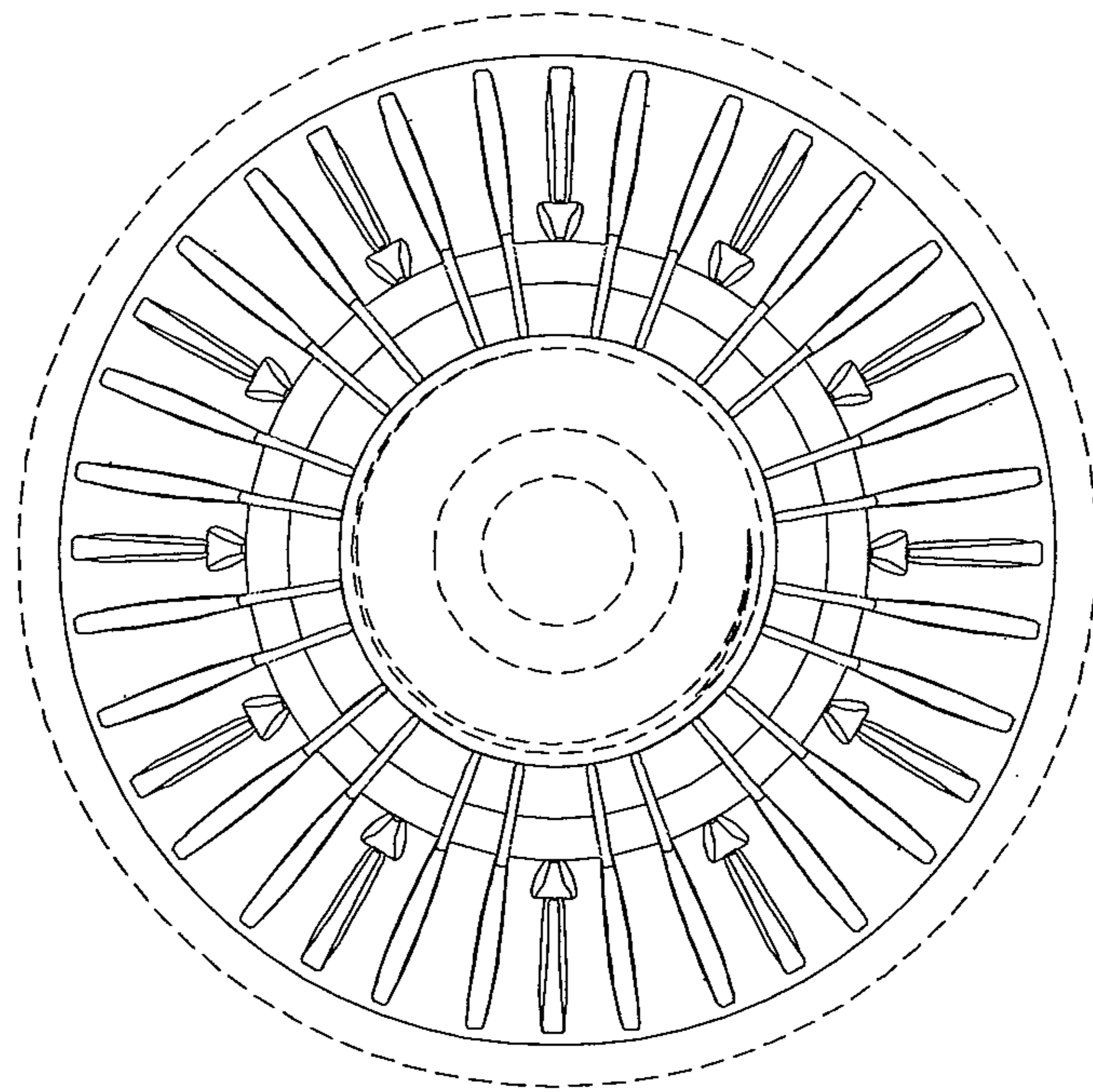


FIG. 3

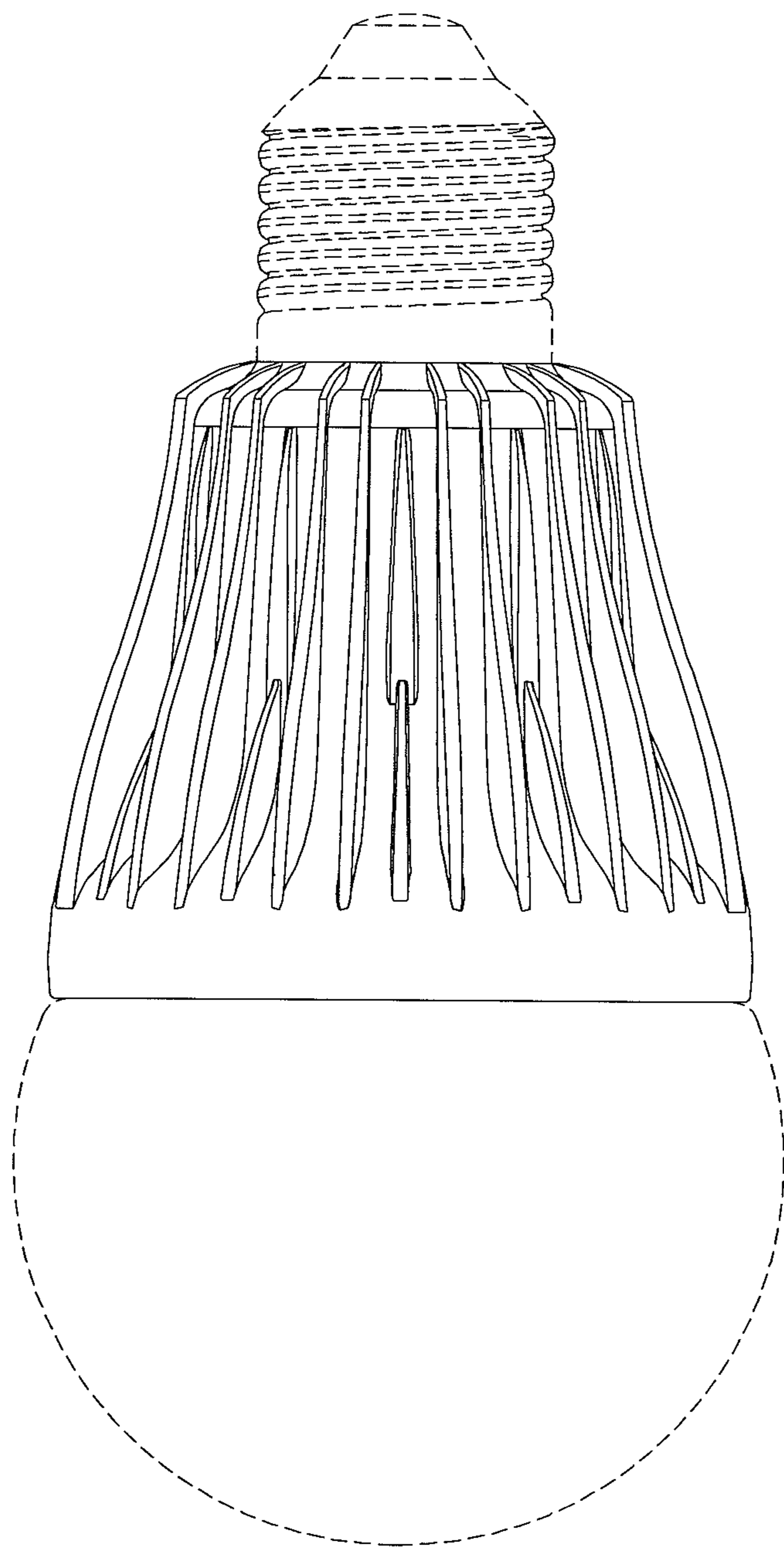


FIG. 4

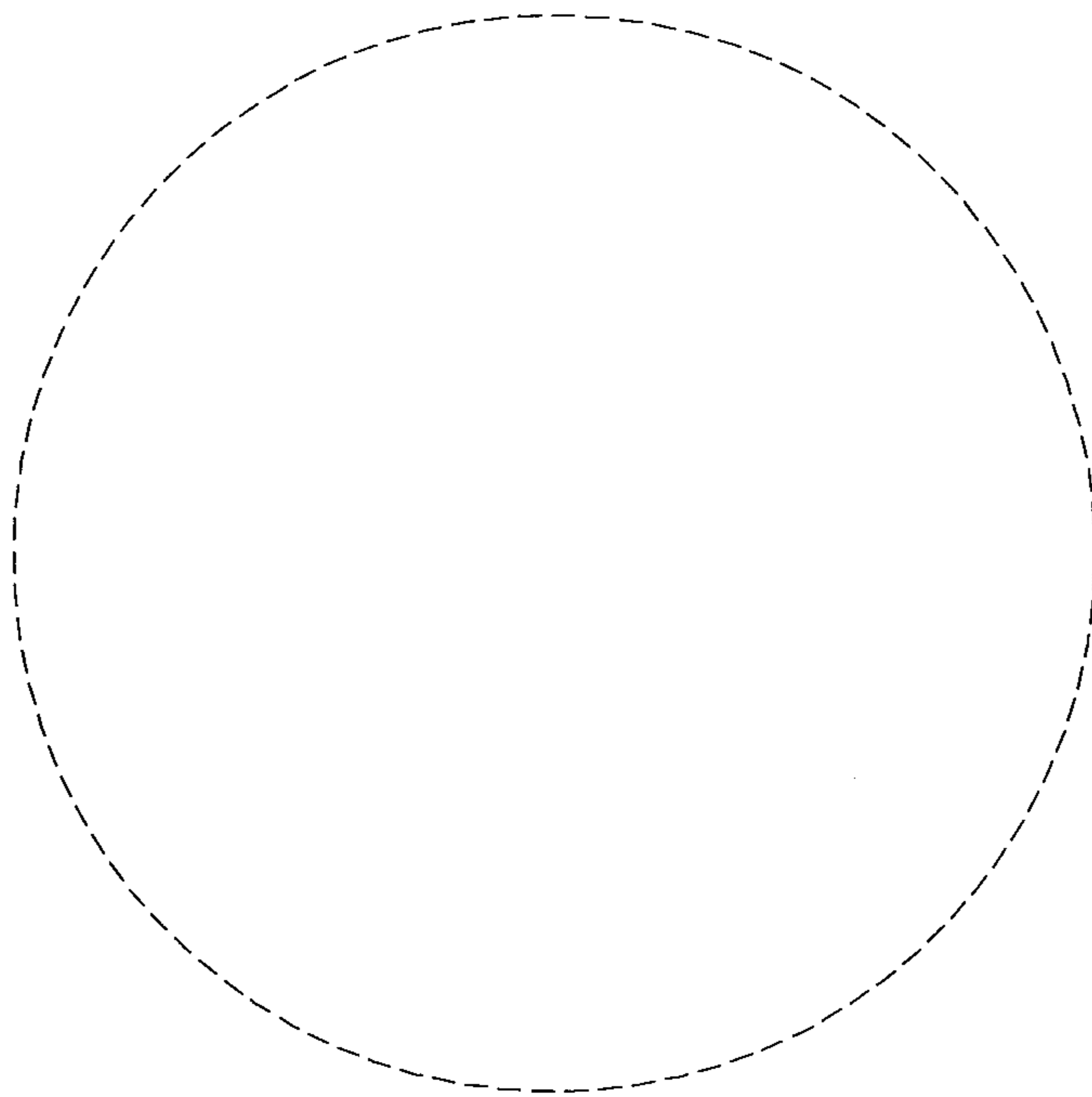


FIG. 5

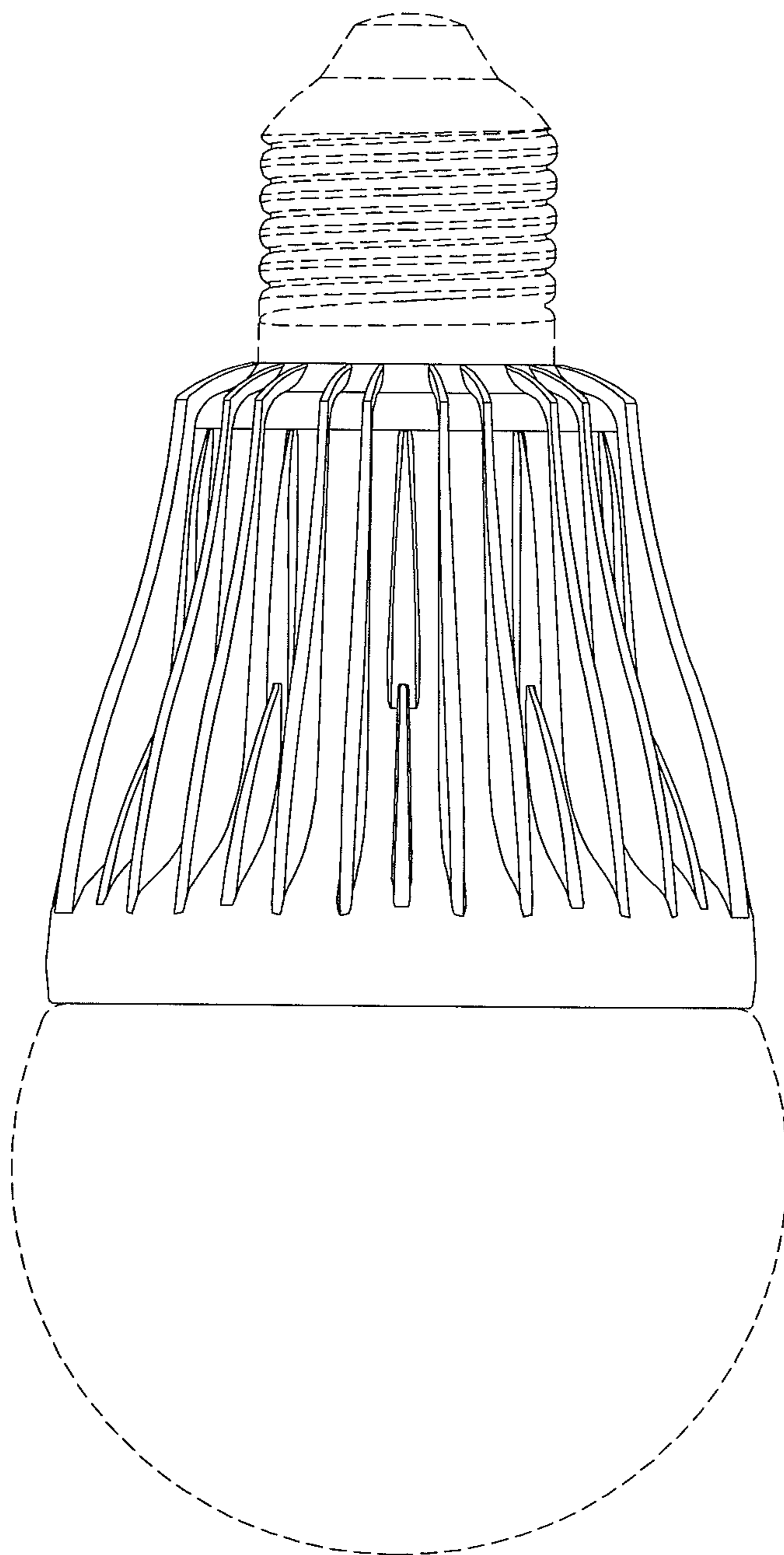


FIG. 6

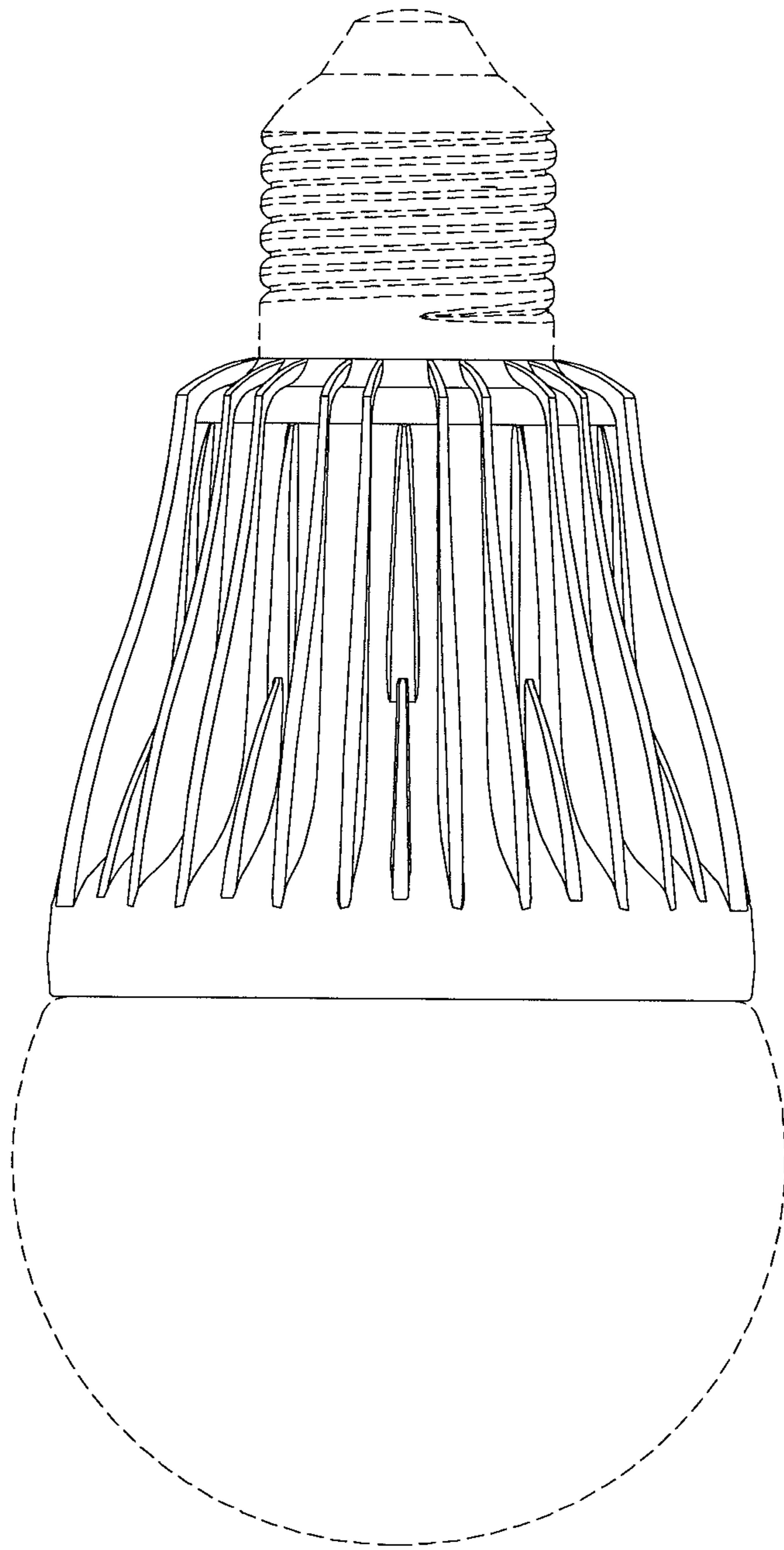


FIG. 7