



US00D725801S

(12) **United States Design Patent**
Lee et al.

(10) **Patent No.:** **US D725,801 S**
(45) **Date of Patent:** **** Mar. 31, 2015**

(54) **LED LIGHT LAMP**

(71) Applicant: **Samsung Electronics Co., Ltd.**,
Suwon-si (KR)
(72) Inventors: **Choong-eun Lee**, Gwacheon-si (KR);
Min-ho Cha, Seoul (KR)
(73) Assignee: **Samsung Electronics Co., Ltd.**,
Suwon-si (KR)

(**) Term: **14 Years**

(21) Appl. No.: **29/470,722**

(22) Filed: **Oct. 24, 2013**

(30) **Foreign Application Priority Data**

May 8, 2013 (KR) 30-2013-0024344

(51) **LOC (10) Cl.** **26-04**

(52) **U.S. Cl.**
USPC **D26/2**

(58) **Field of Classification Search**
USPC D26/1-4; 313/313, 315, 316, 317, 318,
313/493; 315/52, 53, 56, 57, 58
See application file for complete search history.

(56) **References Cited**

U.S. PATENT DOCUMENTS

D545,457 S *	6/2007	Chen	D26/2
D584,428 S *	1/2009	Li et al.	D26/2
D587,384 S *	2/2009	Wei	D26/2
D592,766 S *	5/2009	Zhu et al.	D26/2
D601,275 S *	9/2009	Ho et al.	D26/2
D607,587 S *	1/2010	Ko	D26/2
D610,275 S *	2/2010	Cho	D26/2
D612,956 S *	3/2010	Moon	D26/2
D613,433 S *	4/2010	Moon	D26/2

* cited by examiner

Primary Examiner — Marcus Jackson

(74) *Attorney, Agent, or Firm* — Sughrue Mion, PLLC

(57) **CLAIM**

The ornamental design for an LED light lamp, as shown and described.

DESCRIPTION

FIG. 1 is a perspective view of an LED light lamp showing my new design;

FIG. 2 is a front elevational view thereof;

FIG. 3 is a rear elevational view thereof;

FIG. 4 is a left side elevational view thereof;

FIG. 5 is a right side elevational view thereof;

FIG. 6 is a top plan view thereof; and,

FIG. 7 is a bottom plan view thereof.

The broken lines depict environmental subject matter only and form no part of the claimed design.

1 Claim, 7 Drawing Sheets

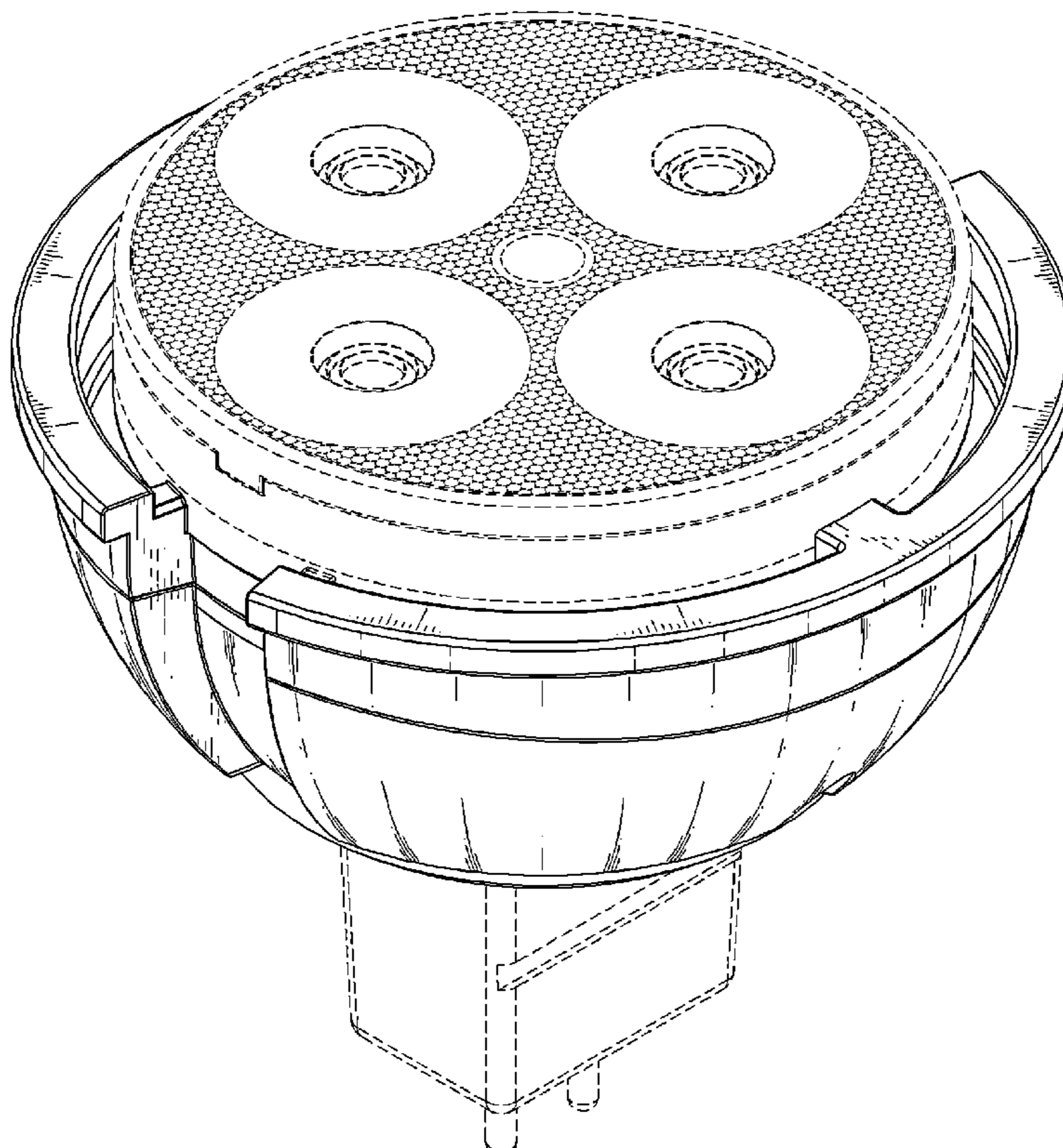


FIG. 1

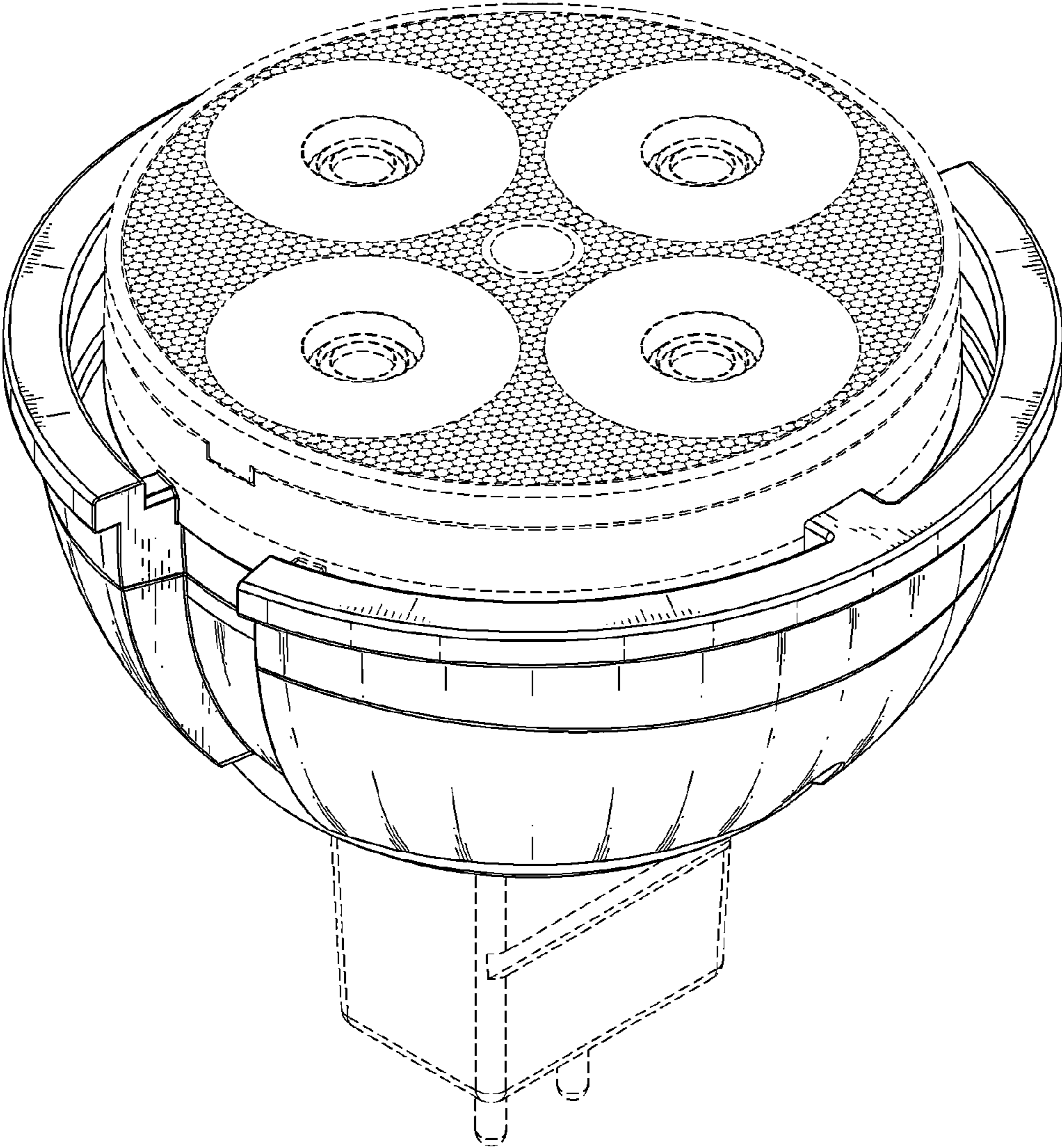


FIG. 2

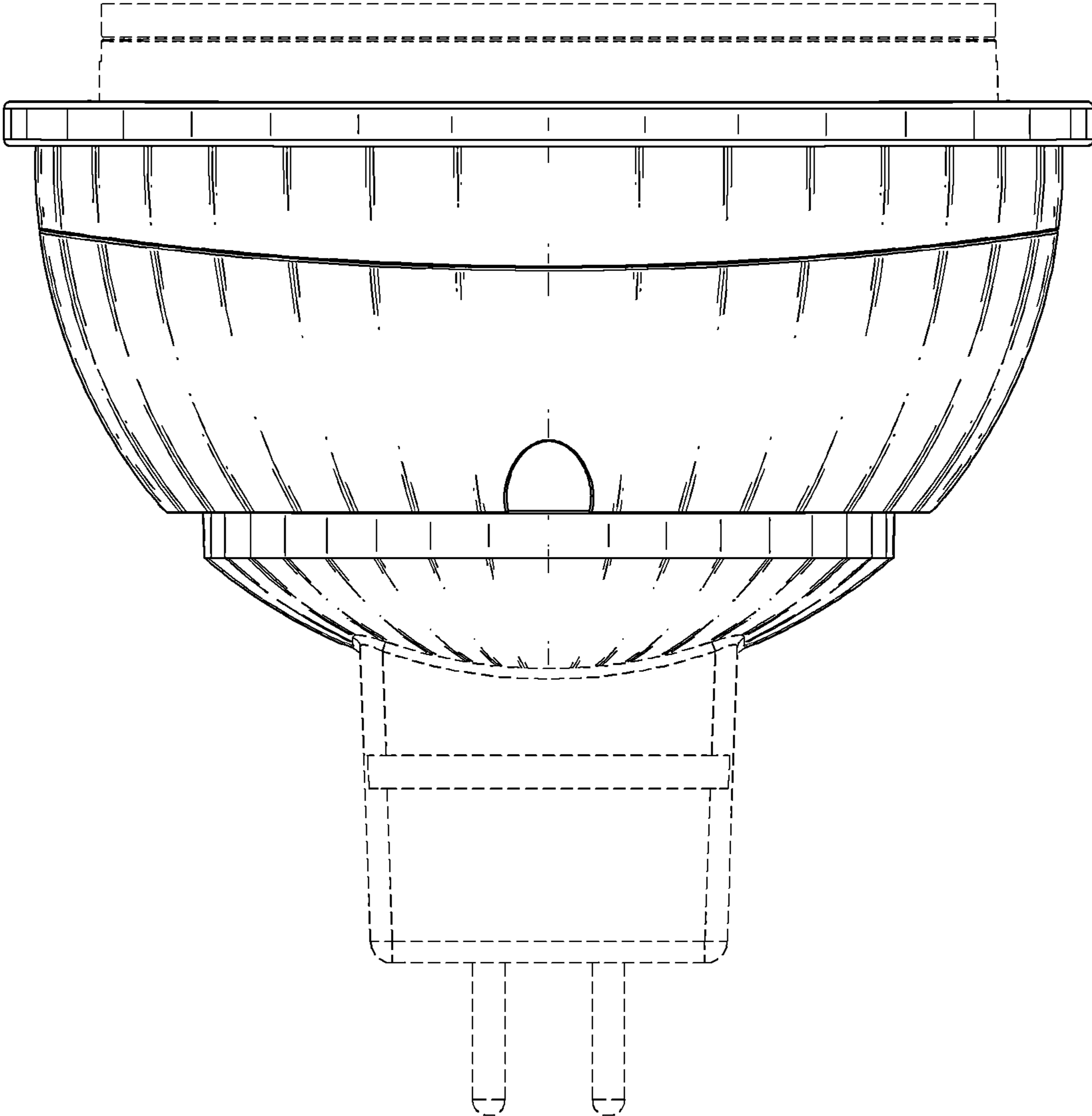


FIG. 3

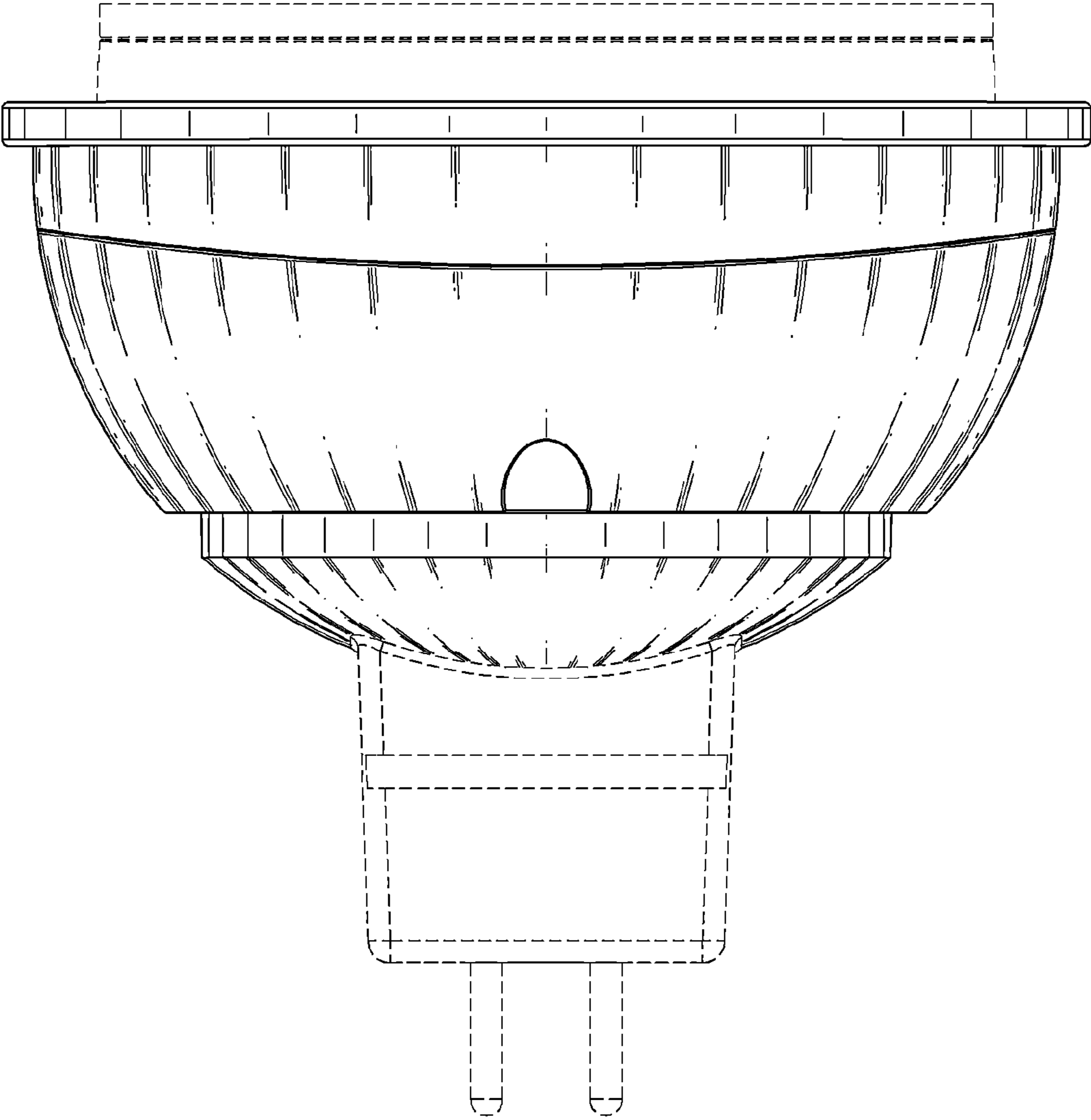


FIG. 4

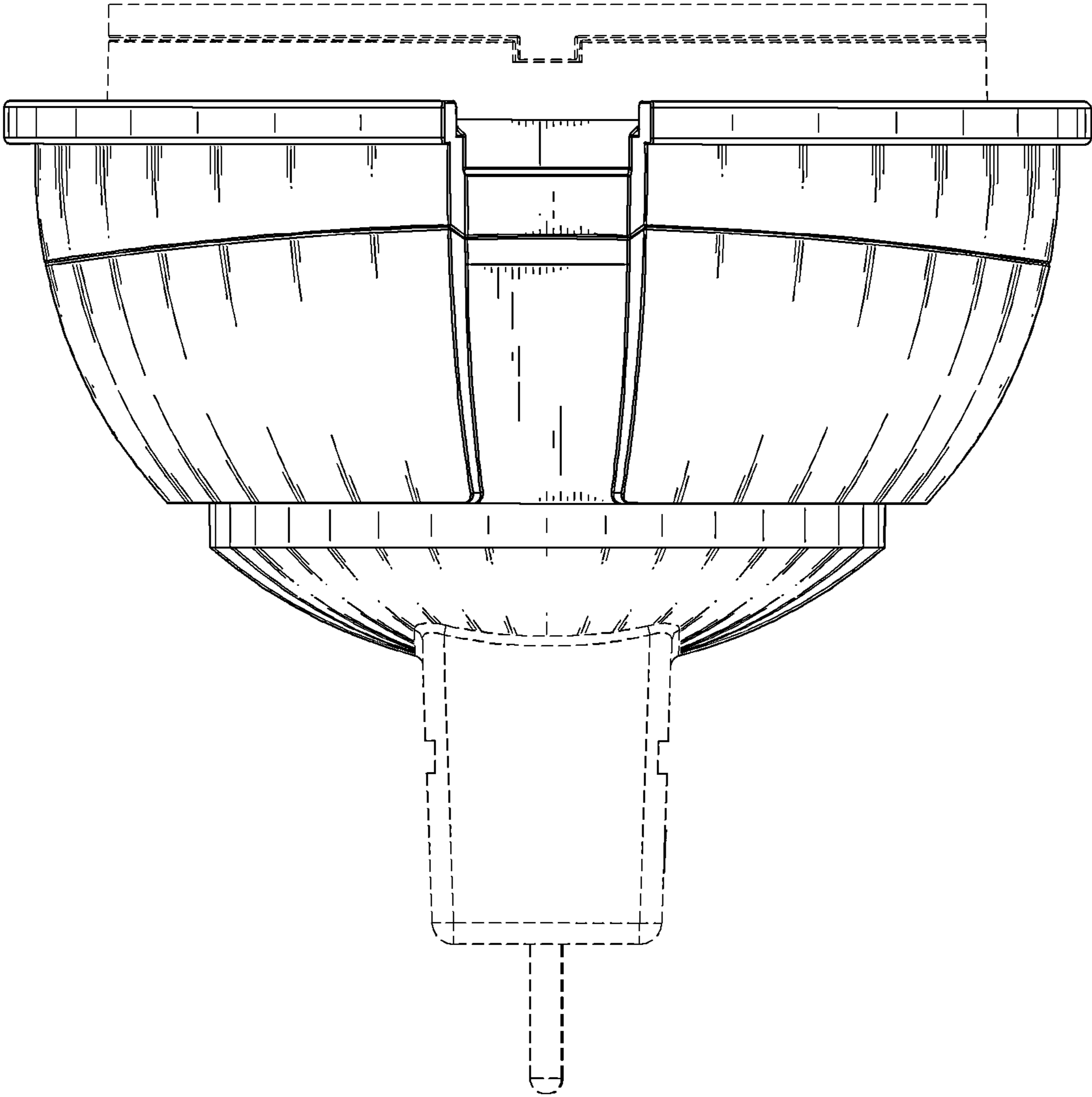


FIG. 5

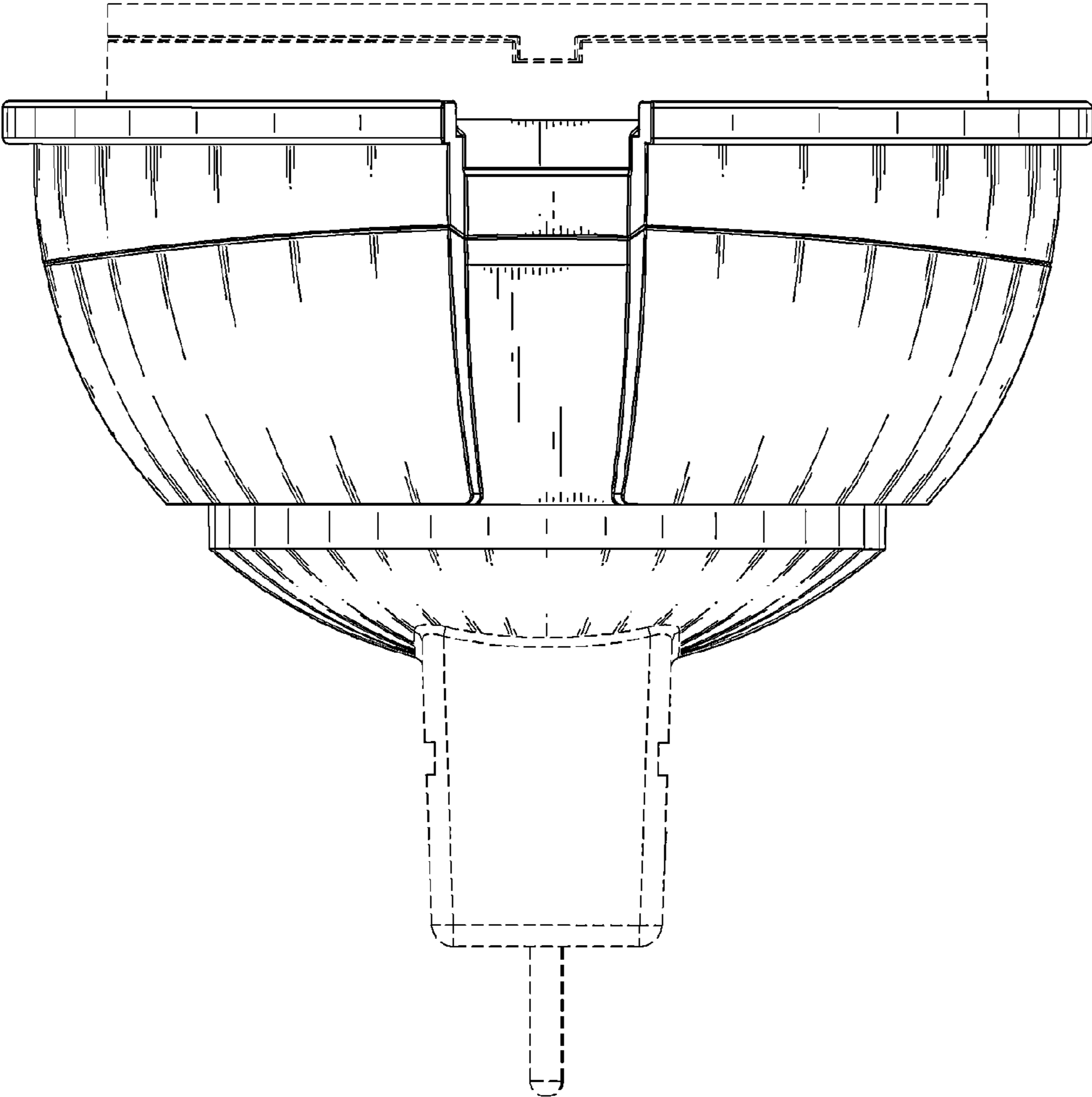


FIG. 6

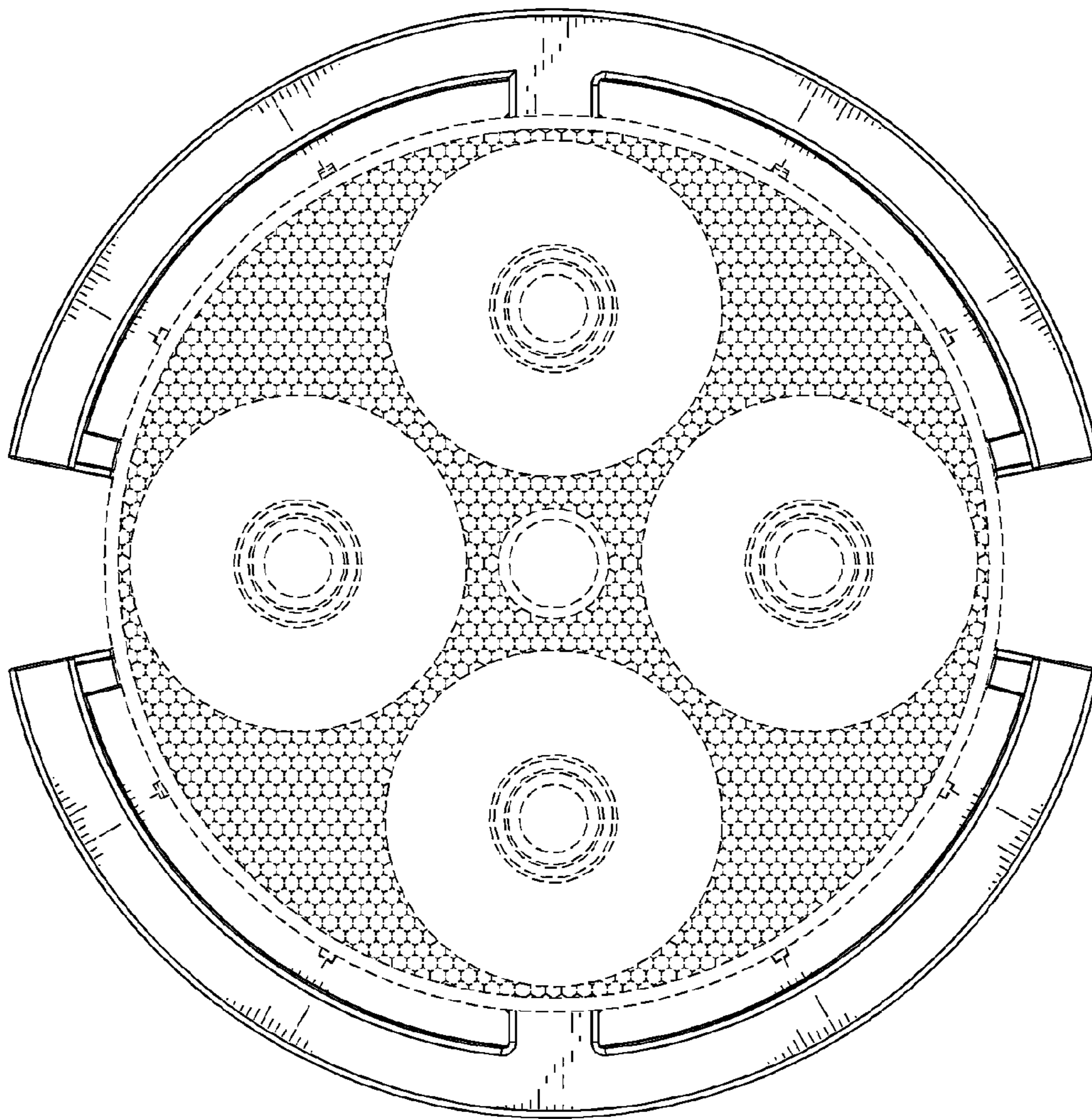


FIG. 7

