



US00D725793S

(12) **United States Design Patent**
Nosworthy

(10) **Patent No.:** **US D725,793 S**
(45) **Date of Patent:** **** Mar. 31, 2015**

(54) **LADDER BAR YOKE**
(71) Applicant: **Dennis Michael Nosworthy**, Coto de Caza, CA (US)
(72) Inventor: **Dennis Michael Nosworthy**, Coto de Caza, CA (US)
(**) Term: **14 Years**
(21) Appl. No.: **29/475,859**
(22) Filed: **Dec. 6, 2013**
(51) **LOC (10) Cl.** **25-04**
(52) **U.S. Cl.**
USPC **D25/68**
(58) **Field of Classification Search**
USPC D25/62, 68, 69, 64; 182/156, 152, 162, 182/112, 113, 215, 220, 120, 106, 23, 26, 182/115, 129, 201, 207, 228.1, 228.3, 182/228.4, 121, 203; 248/210, 238, 236; 403/398
See application file for complete search history.

4,177,879 A * 12/1979 Frank 182/220
4,949,811 A * 8/1990 Bailey 182/220
D329,295 S * 9/1992 Homery D25/68
7,478,971 B2 * 1/2009 Li 403/398
D650,915 S * 12/2011 Gross et al. D25/68

* cited by examiner

Primary Examiner — Doris Clark
(74) *Attorney, Agent, or Firm* — Curtis L. Harrington; Harrington & Harrington

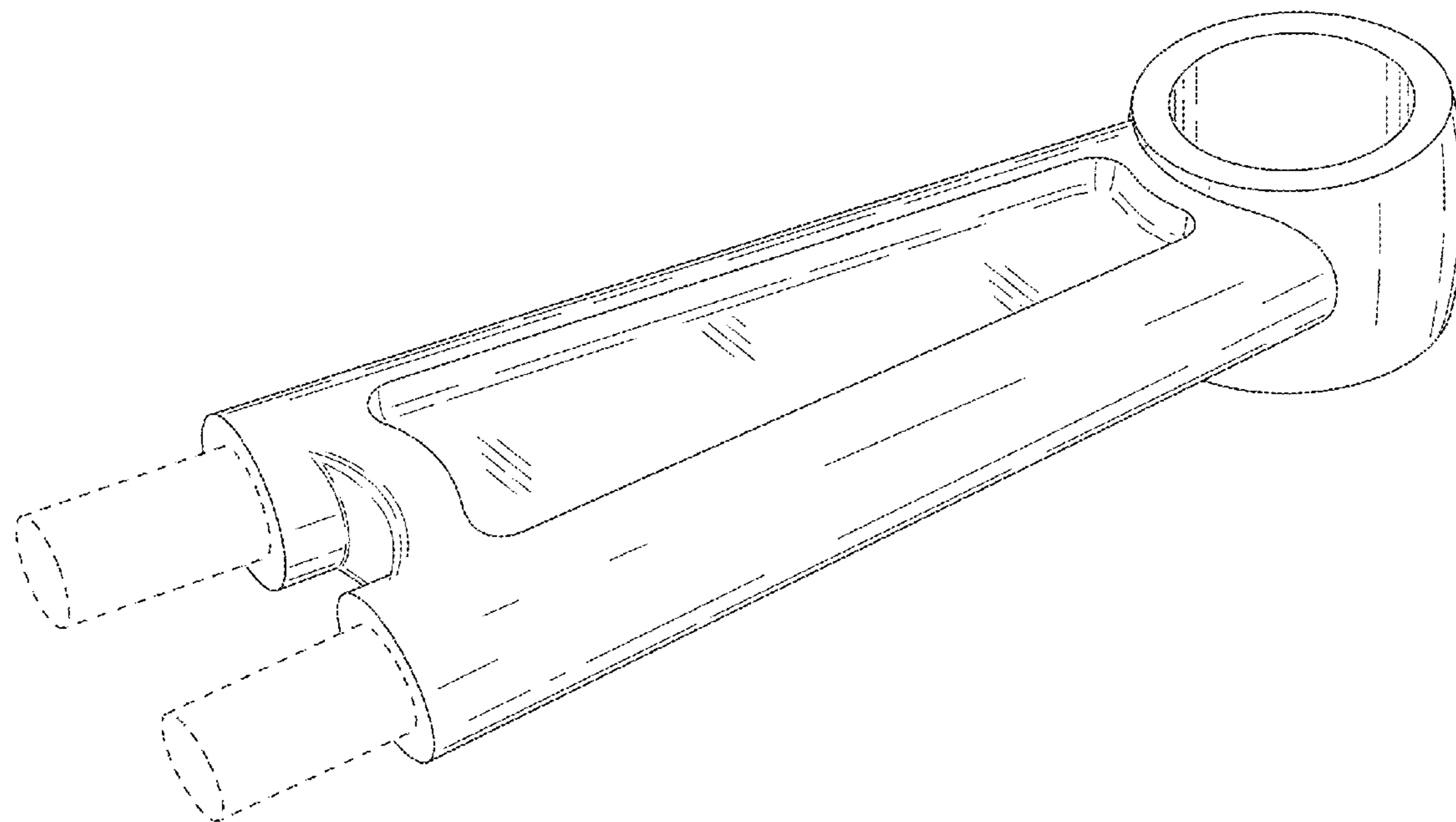
(57) **CLAIM**
The ornamental design for a ladder bar yoke, as shown and described.

DESCRIPTION

FIG. 1 is a perspective view of the ladder bar yoke thereof; FIG. 2 is a rear view thereof; FIG. 3 is a front view thereof; FIG. 4 is a right side view thereof, a left side view being a mirror image thereof; and, FIG. 5 is a top view thereof, a bottom view being a mirror image thereof.
The broken line projection shown in the perspective, rear, right side and top views is included for the purpose of illustrating environment and forms no part of the claimed design.

(56) **References Cited**
U.S. PATENT DOCUMENTS
2,171,863 A * 9/1939 Pirsch 182/215
4,086,980 A * 5/1978 Shortes et al. 182/151

1 Claim, 2 Drawing Sheets



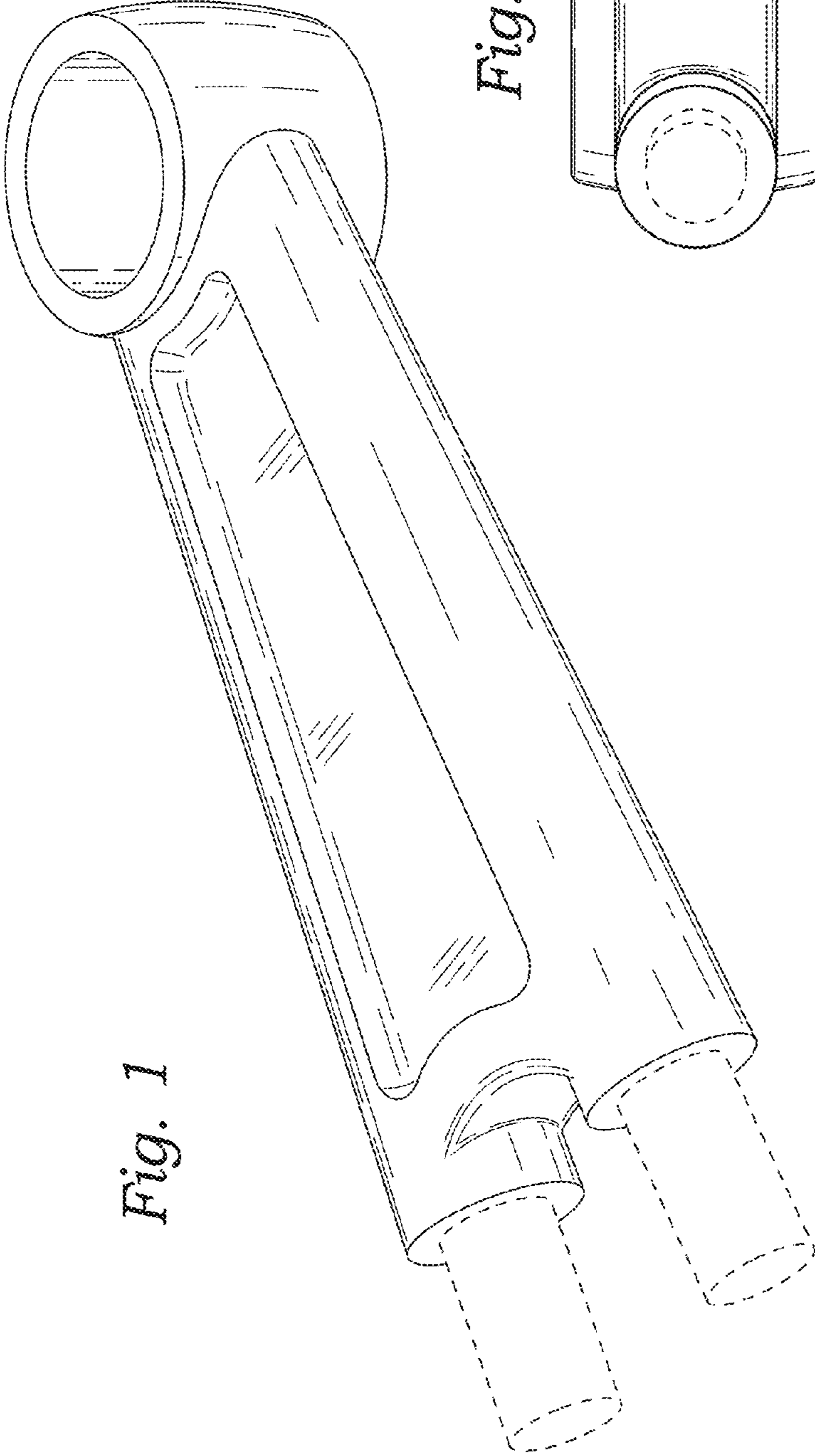


Fig. 1

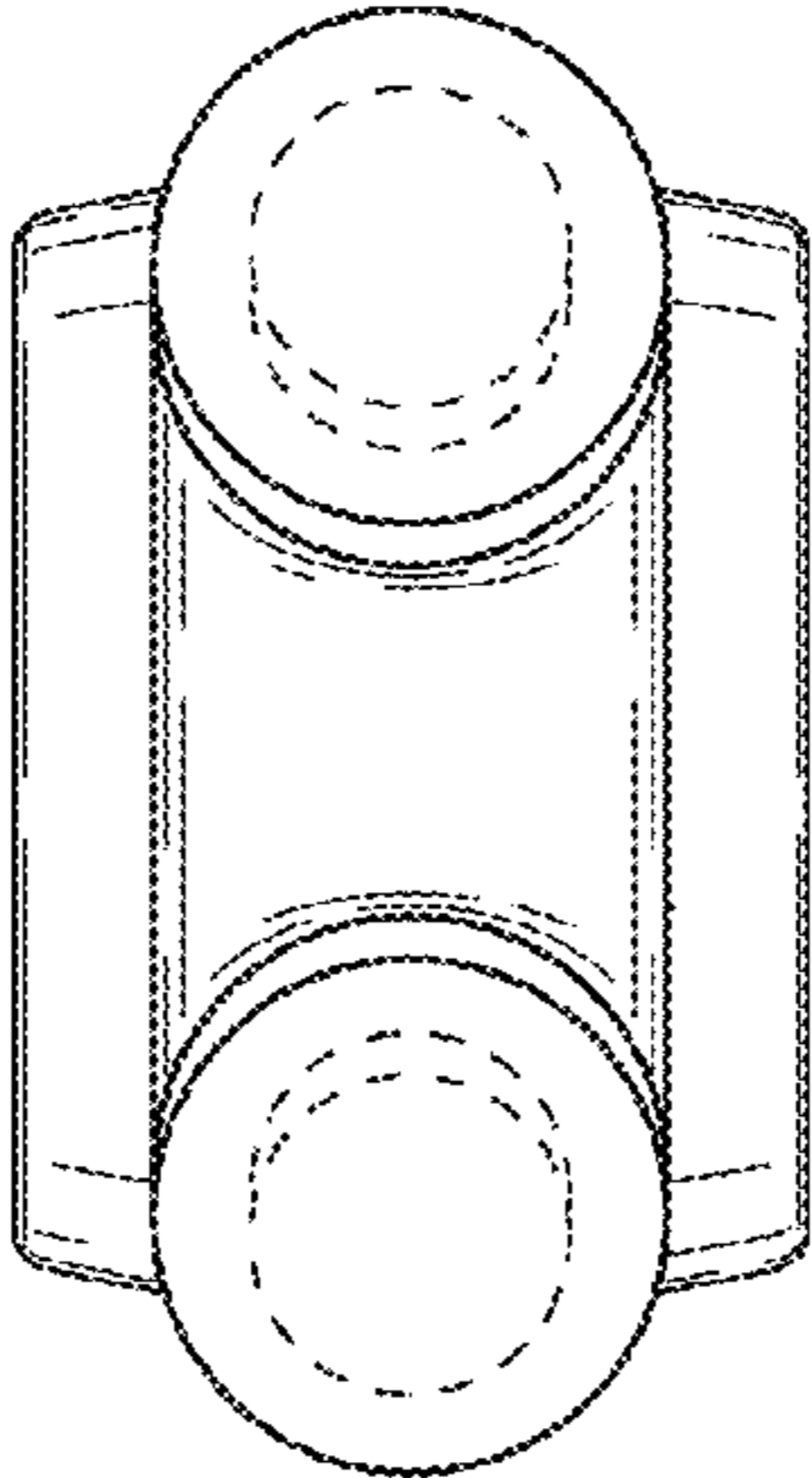


Fig. 2

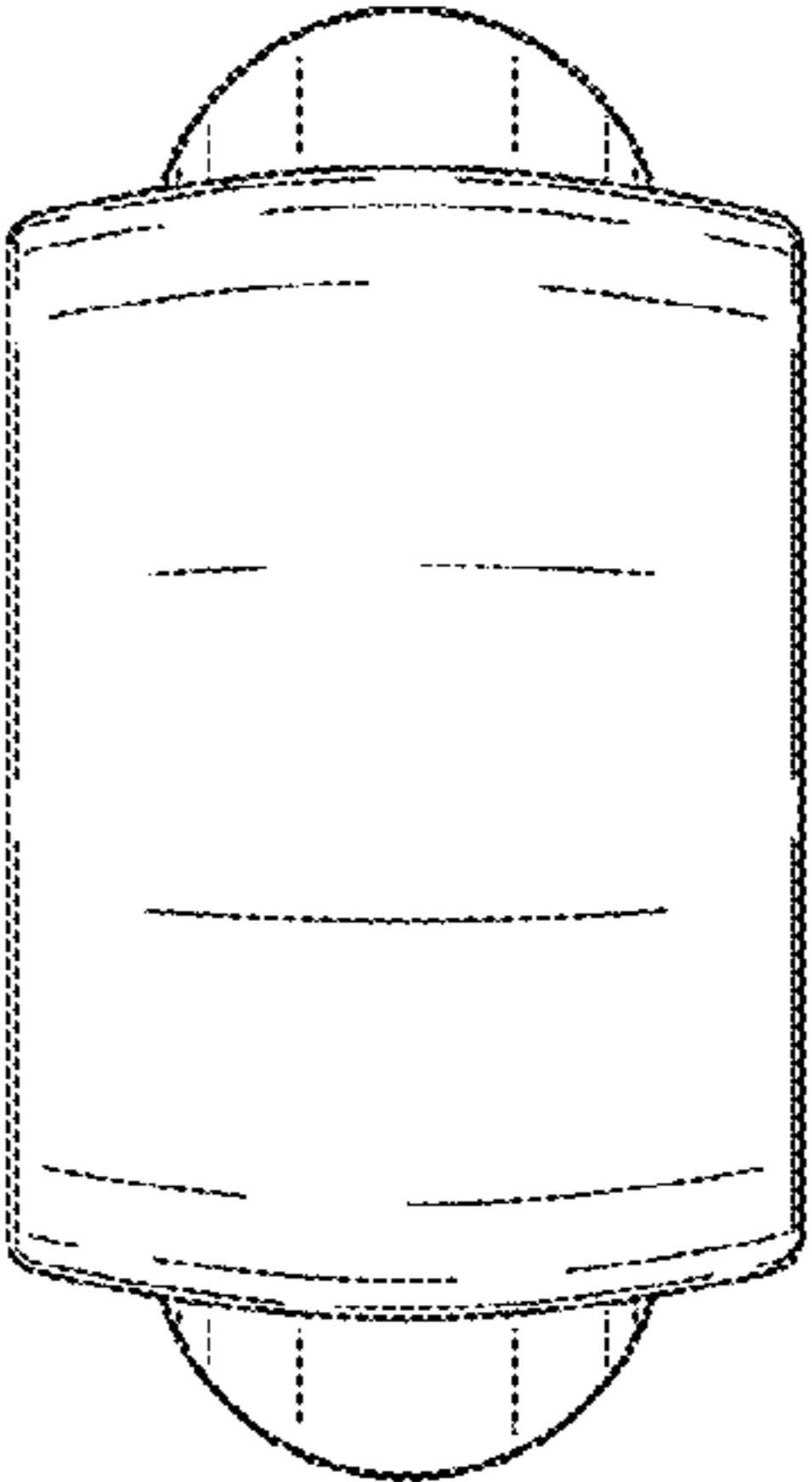


Fig. 3

Fig. 4

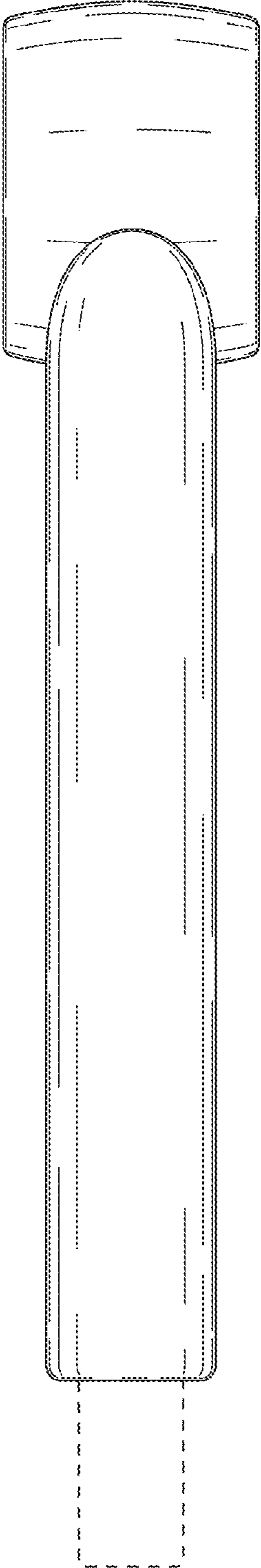


Fig. 5

