



US00D725783S

(12) **United States Design Patent**
Bedford et al.

(10) **Patent No.:** **US D725,783 S**

(45) **Date of Patent:** **** Mar. 31, 2015**

(54) **RAIL FOR ADJUSTABLE ANCHORING OF DENTAL DEVICES**

(71) Applicant: **SomnoMed Limited**, New South Wales (AU)

(72) Inventors: **Christopher Russell Bedford**, Rozelle (AU); **Joshua Luke Meier**, Hornsby (AU); **Wataru Obuchi**, Maroubra (AU)

(73) Assignee: **SomnoMed Limited**, Crows Nest (AU)

(**) Term: **14 Years**

(21) Appl. No.: **29/468,552**

(22) Filed: **Oct. 1, 2013**

(51) **LOC (10) Cl.** **24-01**

(52) **U.S. Cl.**
USPC **D24/176**

(58) **Field of Classification Search**
USPC D24/17, 133, 156, 176, 216, 224, 227, 206/368, 206/369, 379; 211/69-70
See application file for complete search history.

(56) **References Cited**

U.S. PATENT DOCUMENTS

3,634,937	A *	1/1972	Green	434/263
D273,985	S *	5/1984	Schulstad	D24/227
4,483,925	A *	11/1984	Noack	422/501
5,006,066	A *	4/1991	Rouse	433/77
D319,873	S *	9/1991	Rouse	D24/147
5,108,287	A *	4/1992	Yee et al.	433/77
D533,669	S *	12/2006	Haunschild	D24/217

* cited by examiner

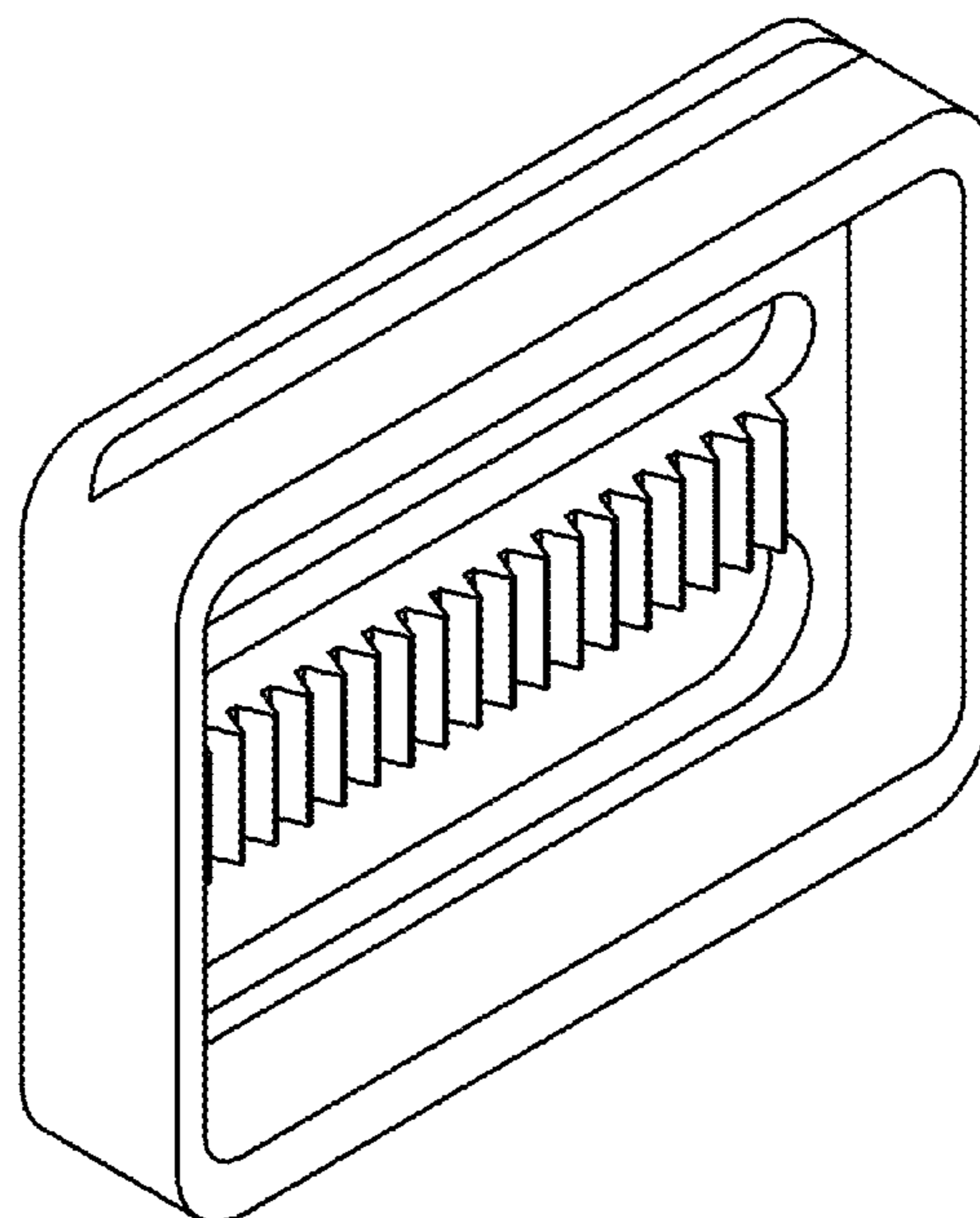
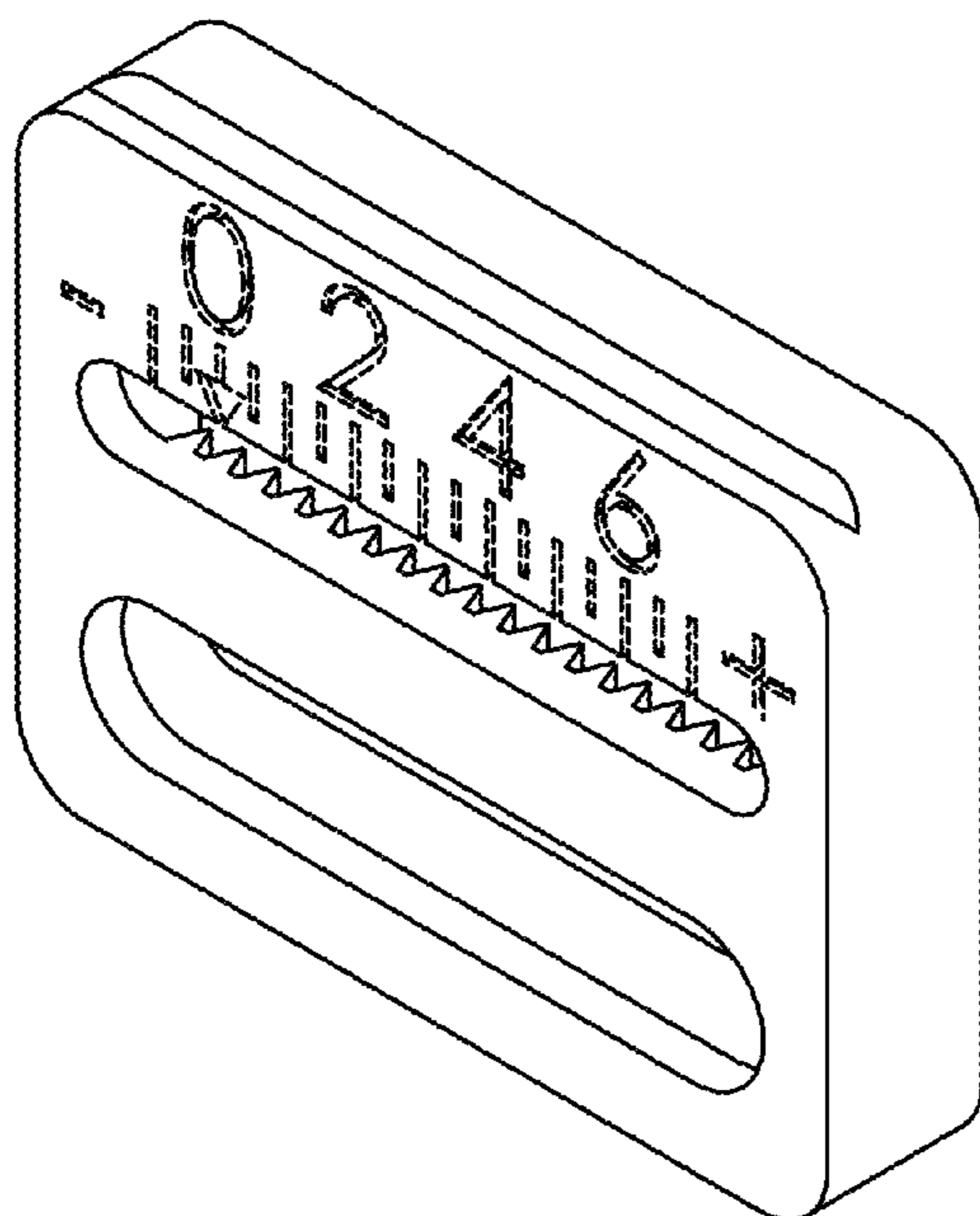
Primary Examiner — Wan Laymon
Assistant Examiner — Mark Booker
(74) *Attorney, Agent, or Firm* — Banner & Witcoff, Ltd.

(57) **CLAIM**
The ornamental design for a rail for adjustable anchoring of dental devices, as shown and described.

DESCRIPTION

FIG. 1 is a front perspective view of a first embodiment of a rail for adjustable anchoring of dental devices showing our new design;
FIG. 2 is a rear perspective view thereof;
FIG. 3 is a front view thereof;
FIG. 4 is a rear view thereof;
FIG. 5 is a top plan view thereof;
FIG. 6 is a cross-section view taken along line 6-6 of FIG. 3.
FIG. 7 is a bottom view thereof;
FIG. 8 is a left side view thereof;
FIG. 9 is a right side view thereof;
FIG. 10 is a cross-section view taken along line 10-10 of FIG. 3.
FIG. 11 is a front perspective view of a rail for adjustable anchoring of dental devices of FIGS. 1-10, shown with the disclaimed features removed for clarity;
FIG. 12 is a rear perspective view thereof;
FIG. 13 is a front view thereof;
FIG. 14 is a rear view thereof;
FIG. 15 is a top plan view thereof;
FIG. 16 is a bottom view thereof;
FIG. 17 is a left side view thereof; and,
FIG. 18 is a right side view thereof.
The broken lines shown in the figures are included for the purpose of illustrating portions of the rail for adjustable anchoring of dental devices and form no part of the claimed design.

1 Claim, 8 Drawing Sheets



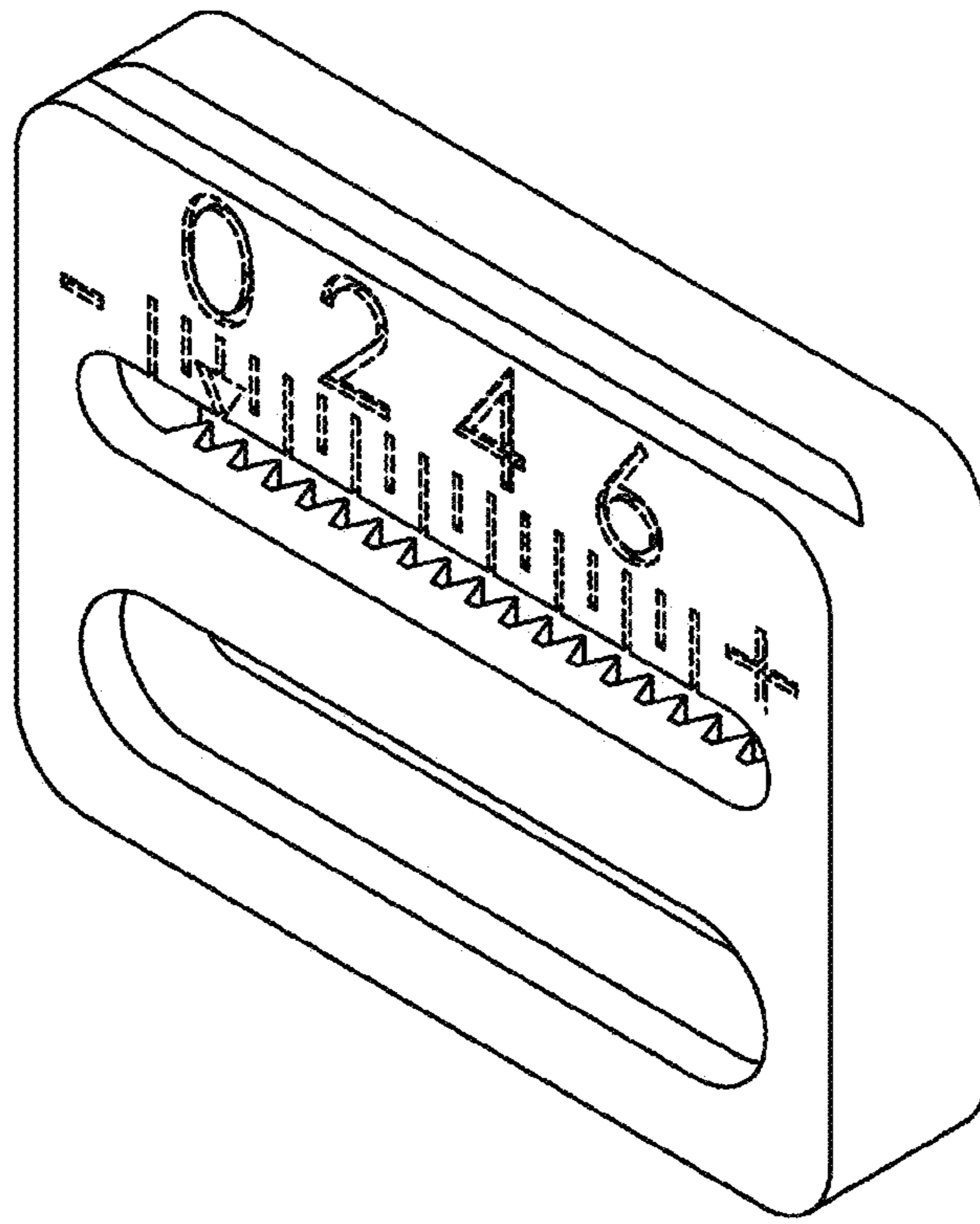


FIG. 1

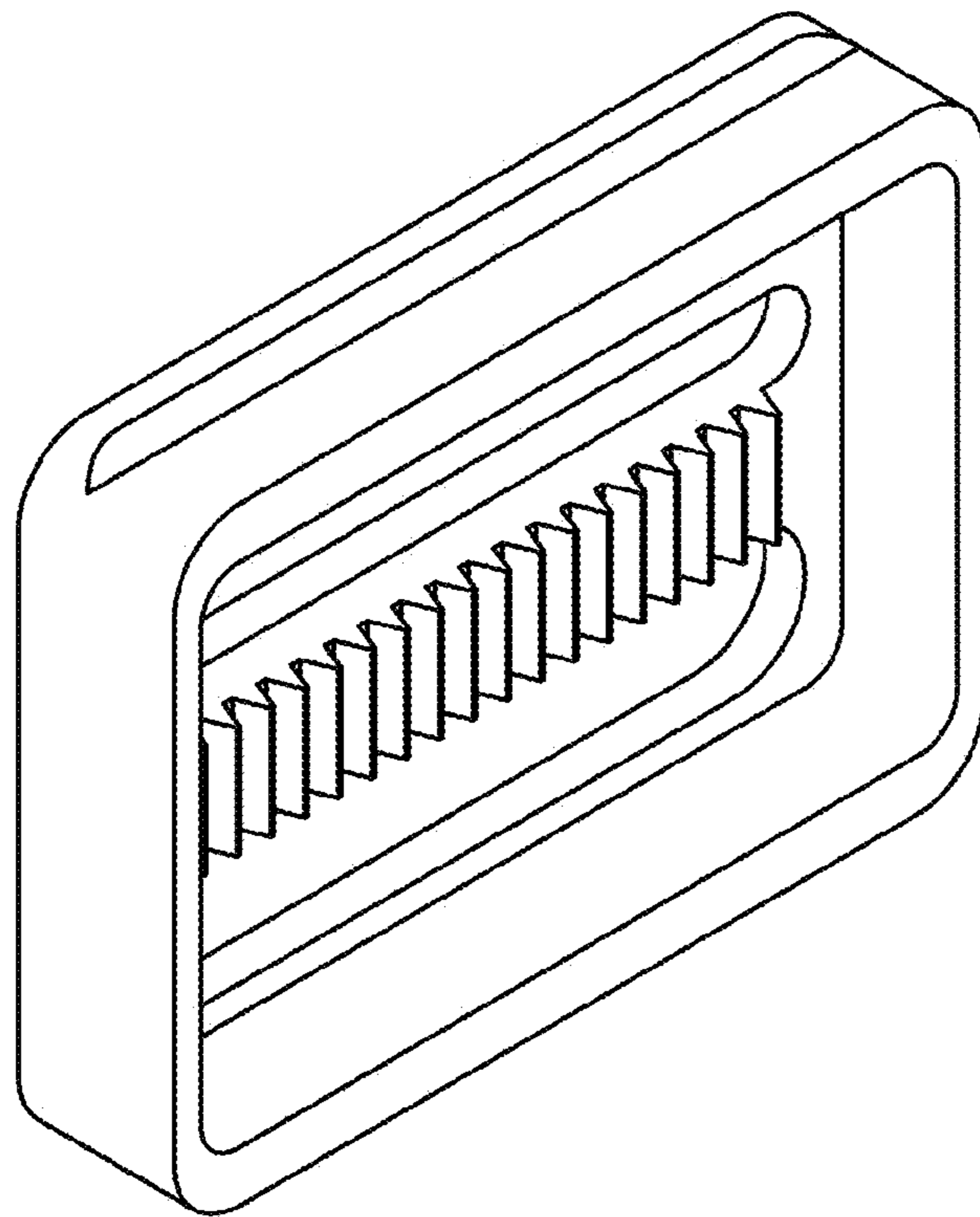


FIG. 2

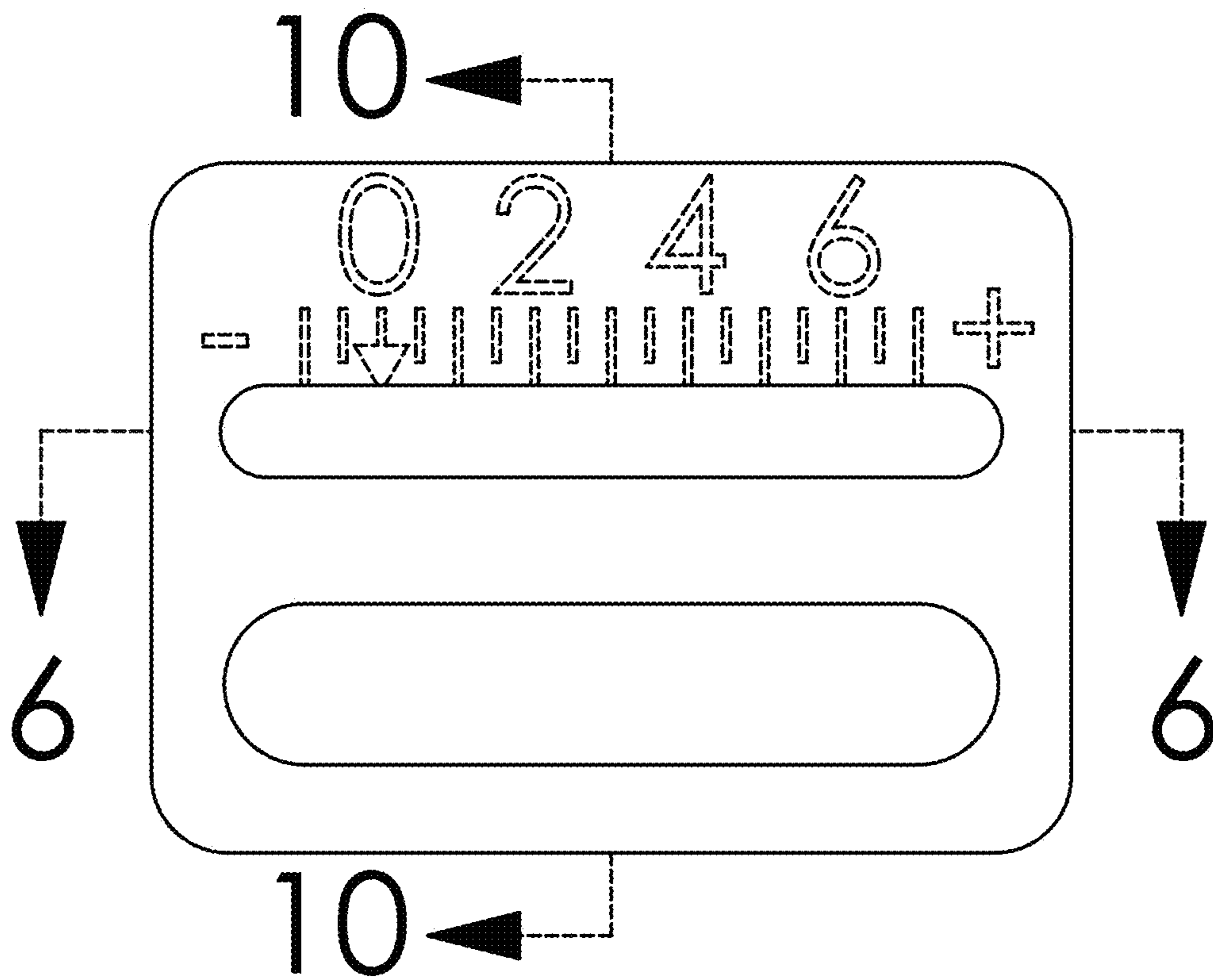


FIG. 3

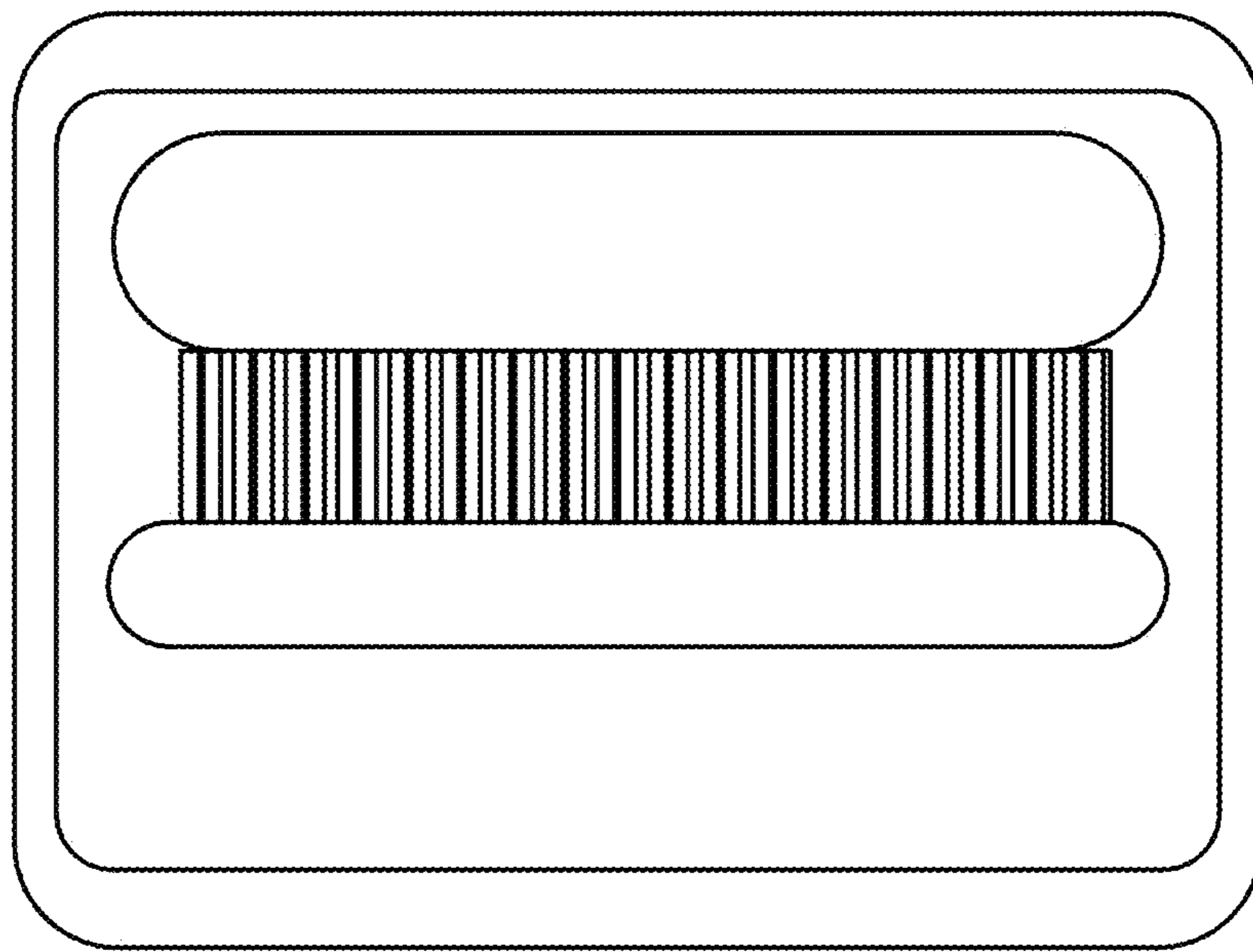


FIG. 4

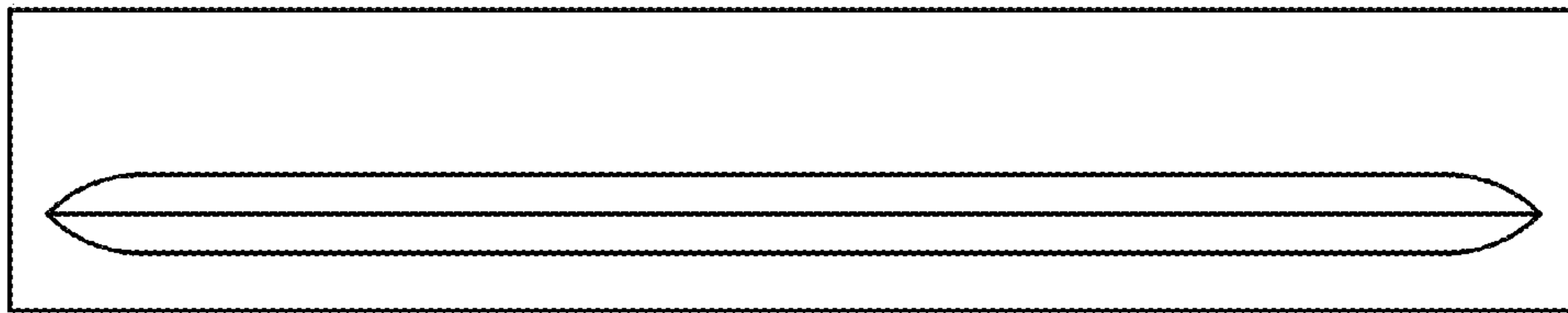


FIG. 5

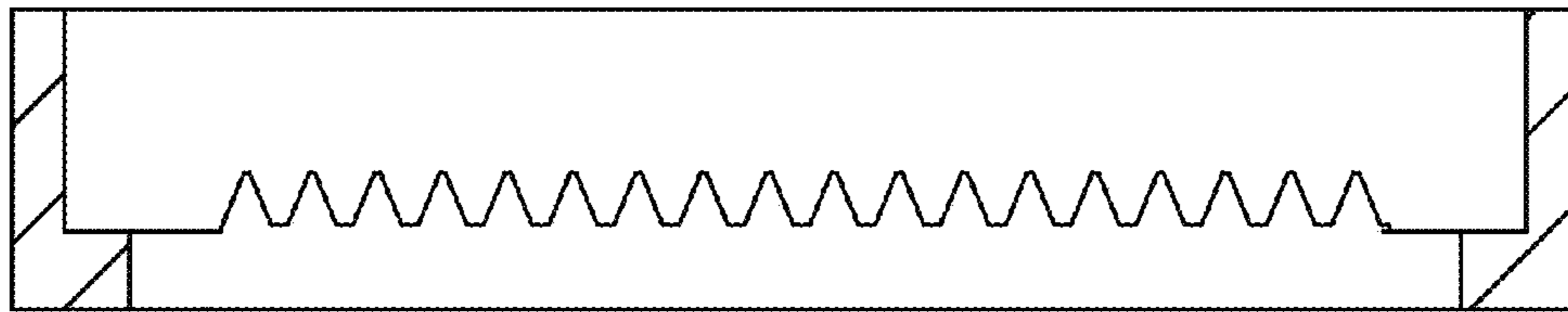


FIG. 6

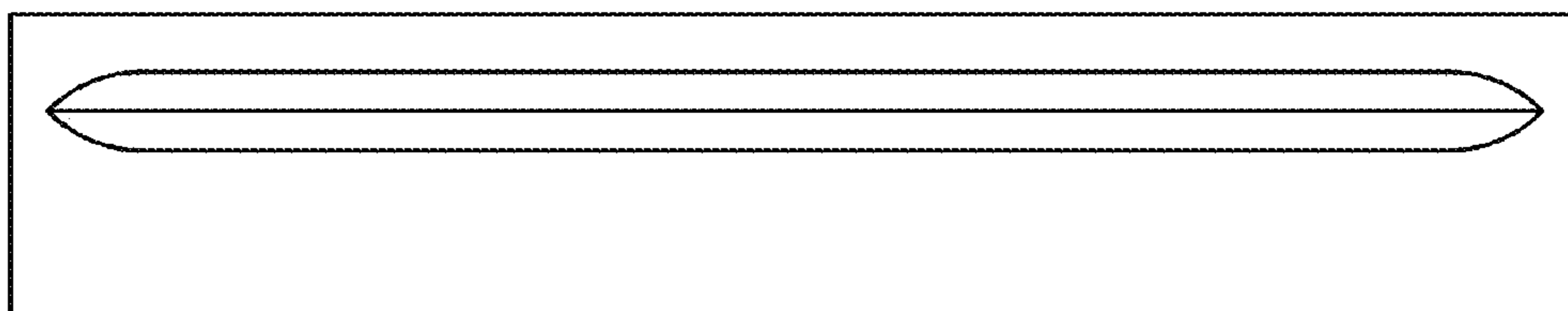


FIG. 7

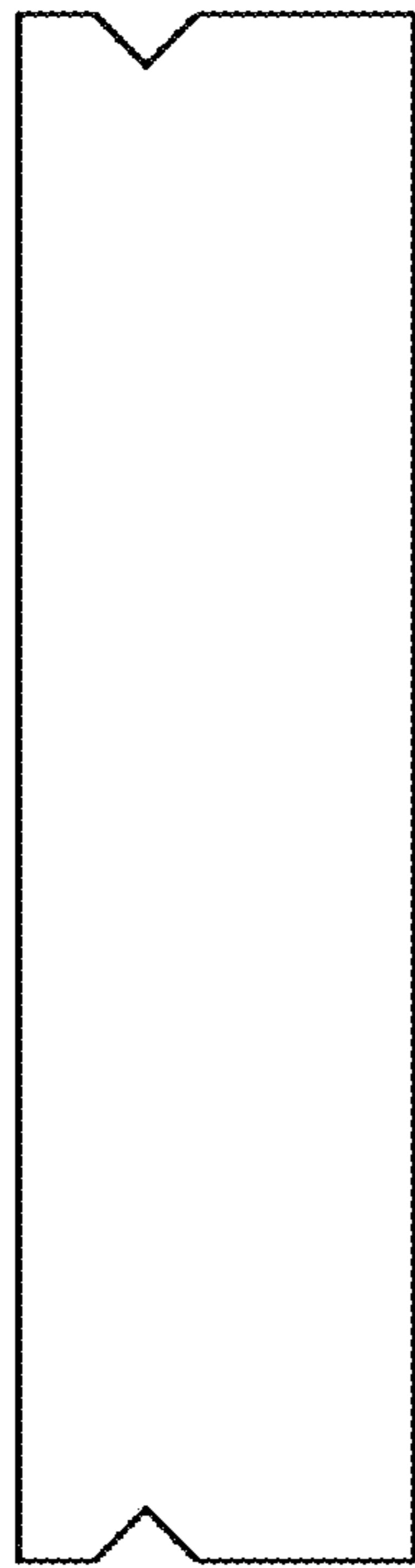


FIG. 8

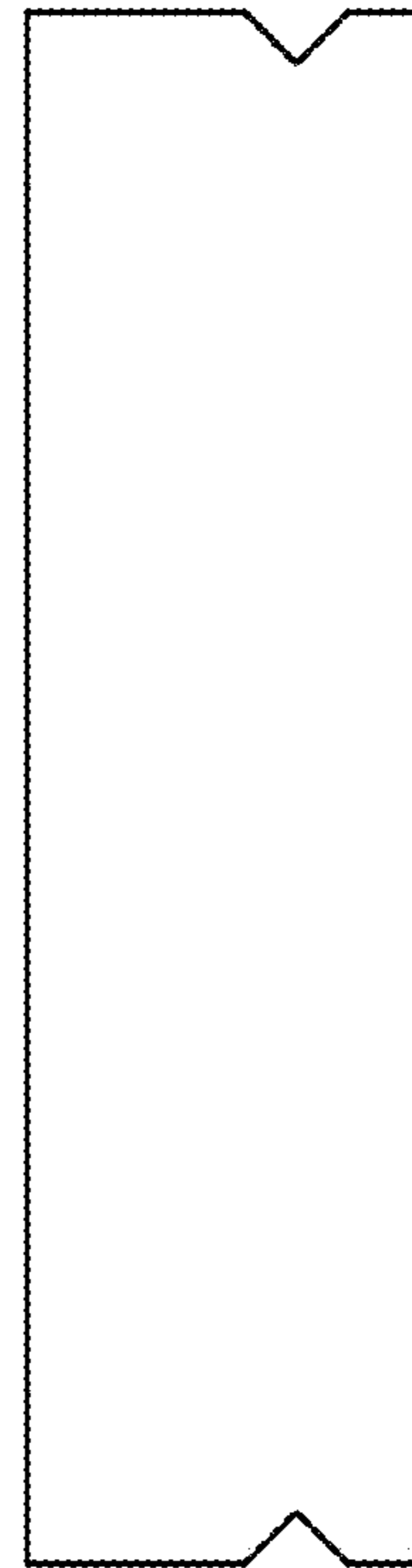


FIG. 9

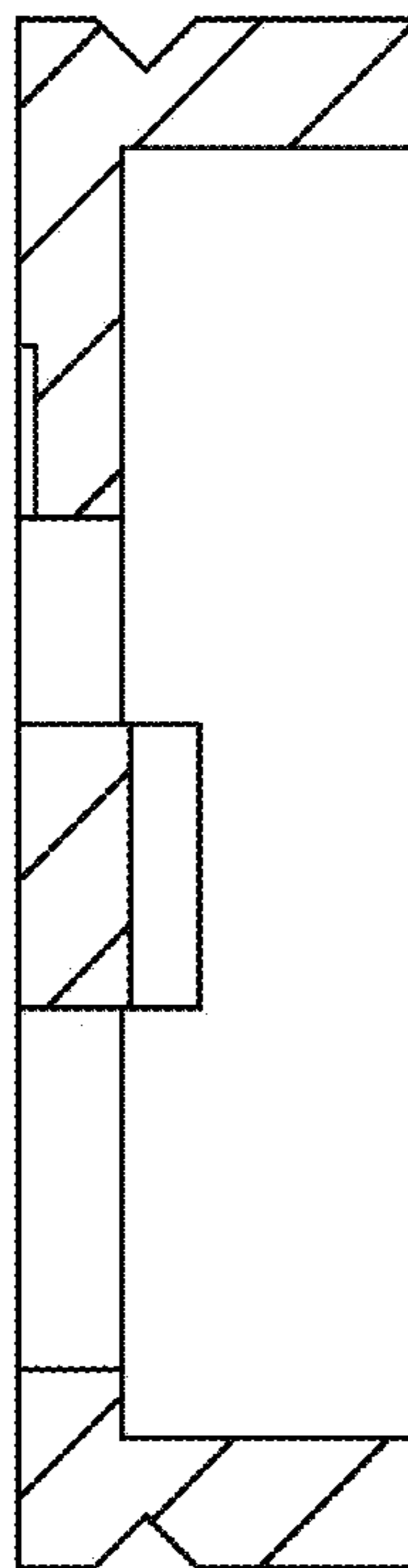


FIG. 10

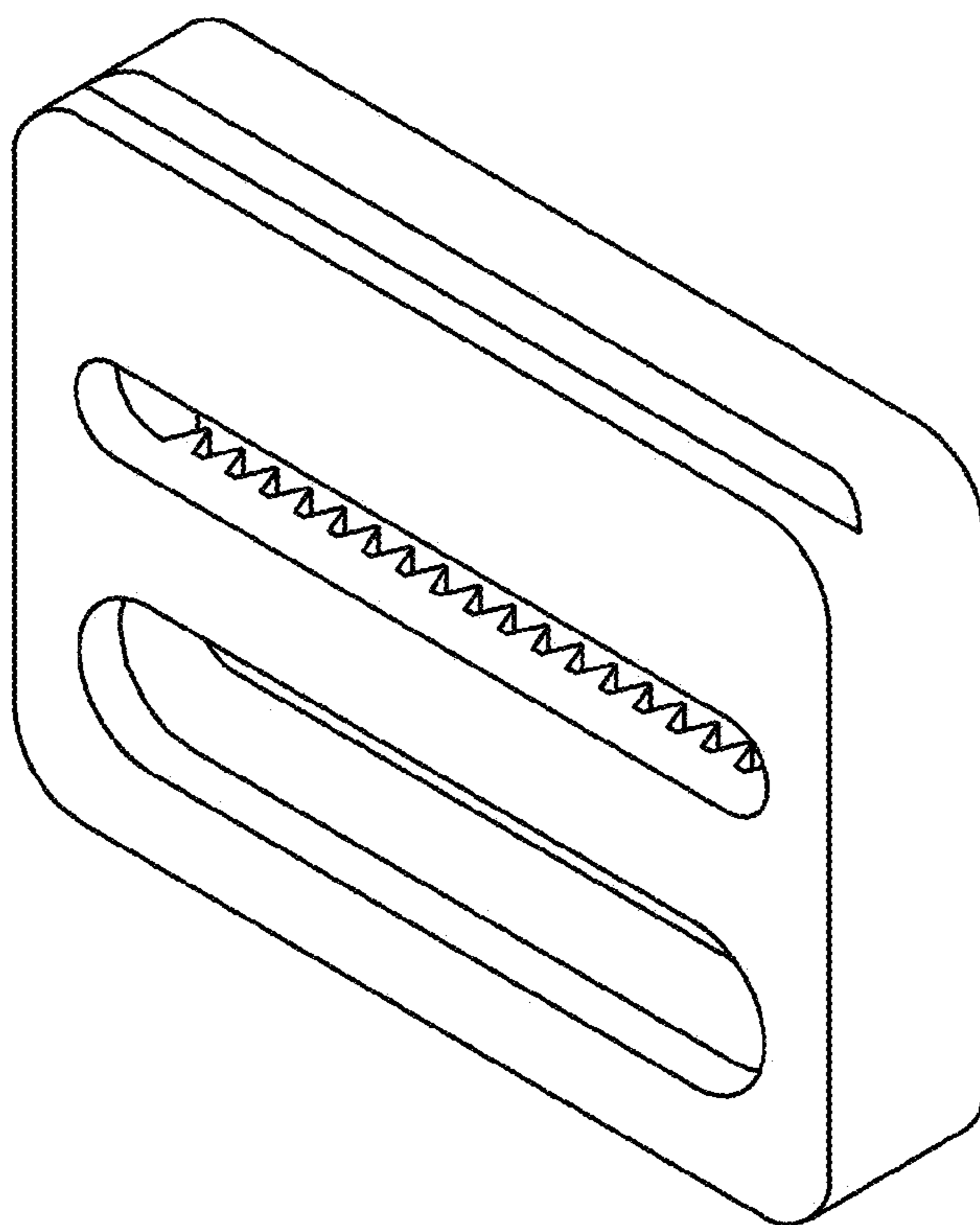


FIG. 11

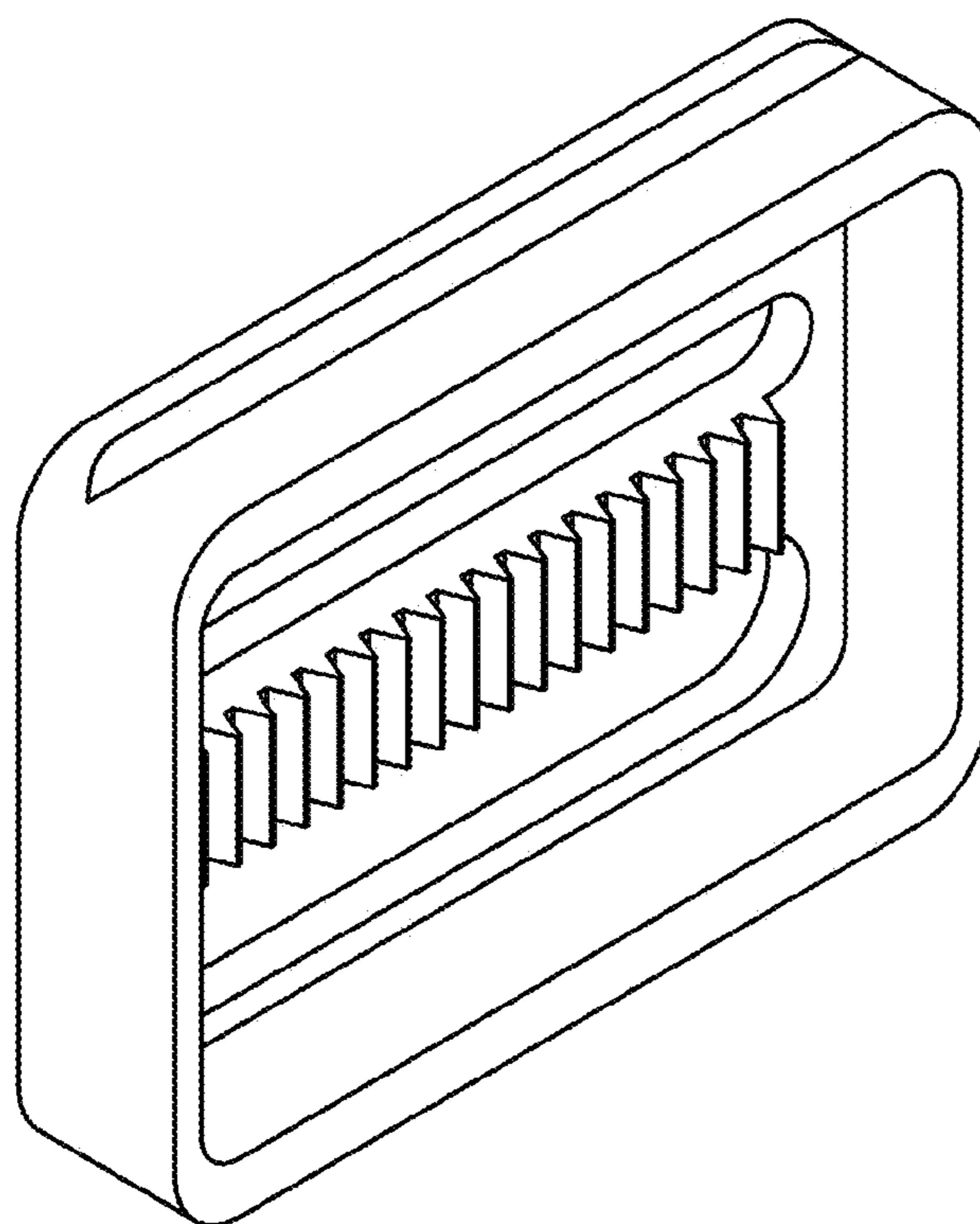


FIG. 12

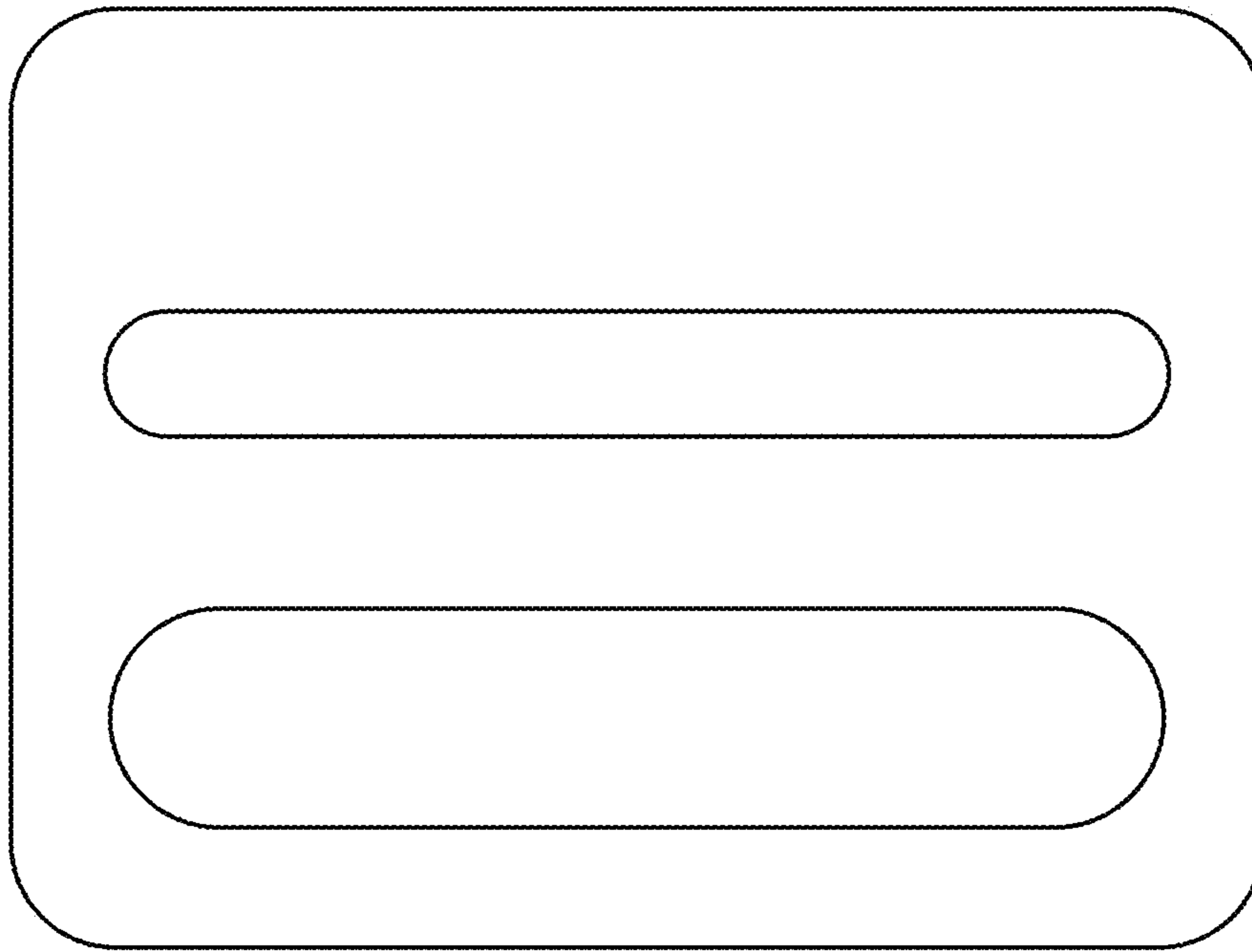


FIG. 13

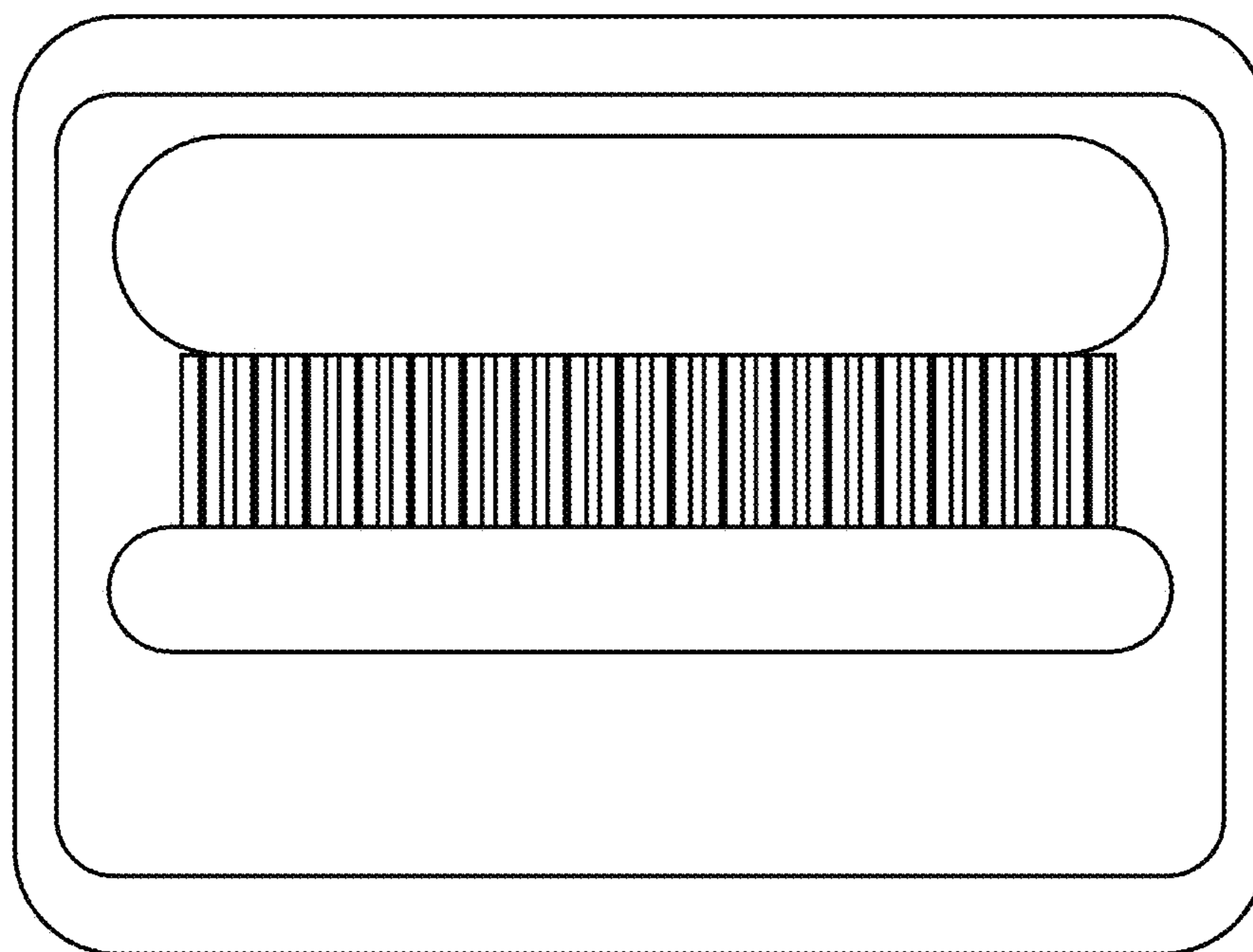


FIG. 14

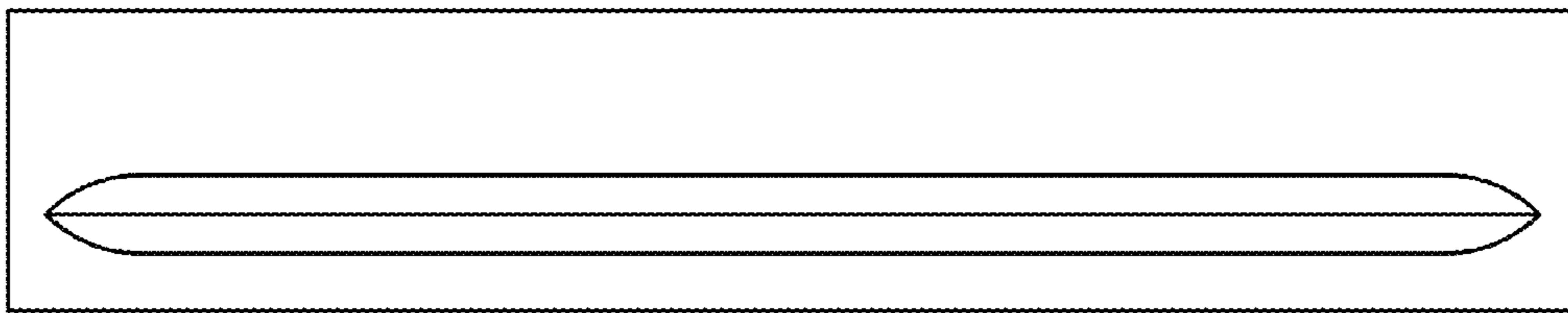


FIG. 15

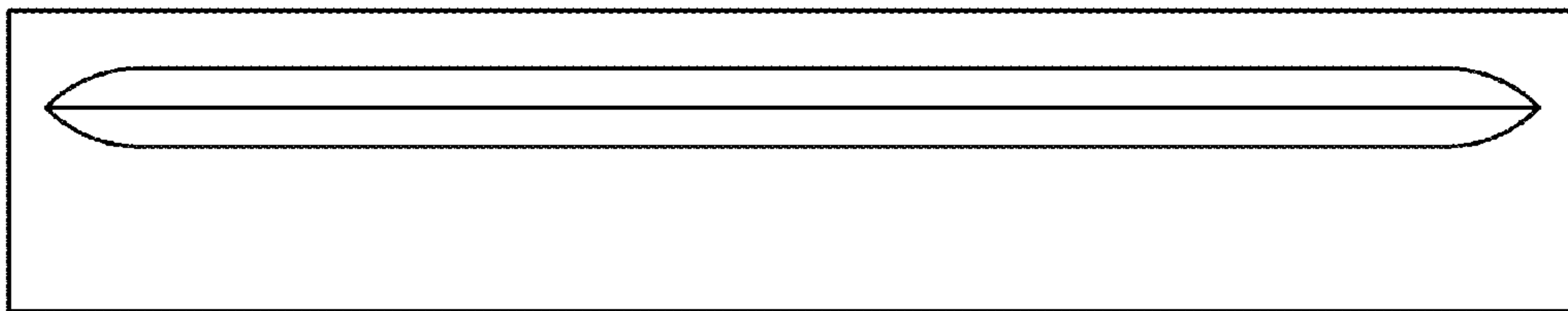


FIG. 16

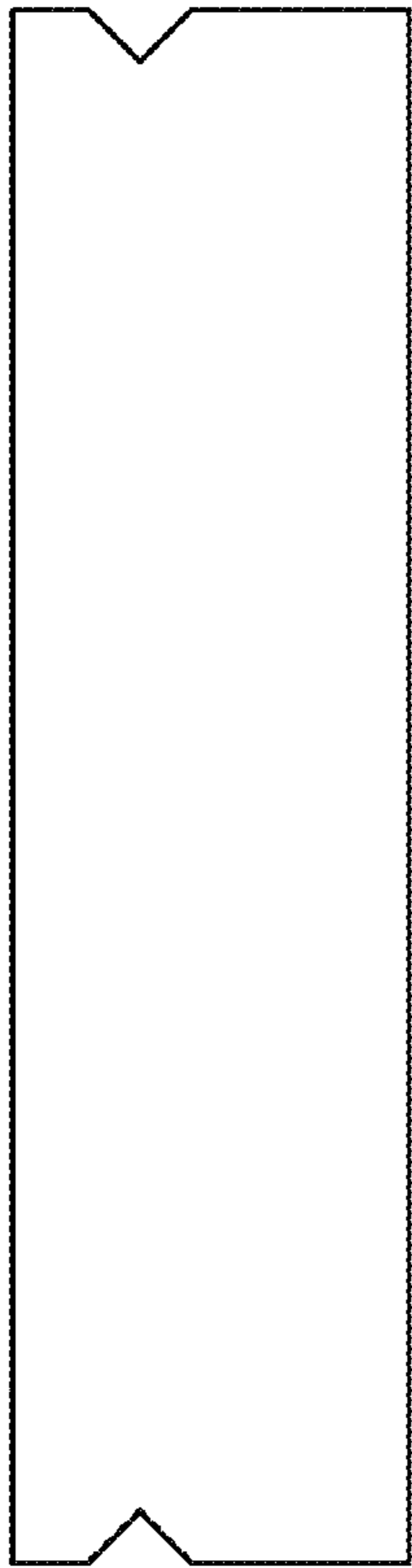


FIG. 17

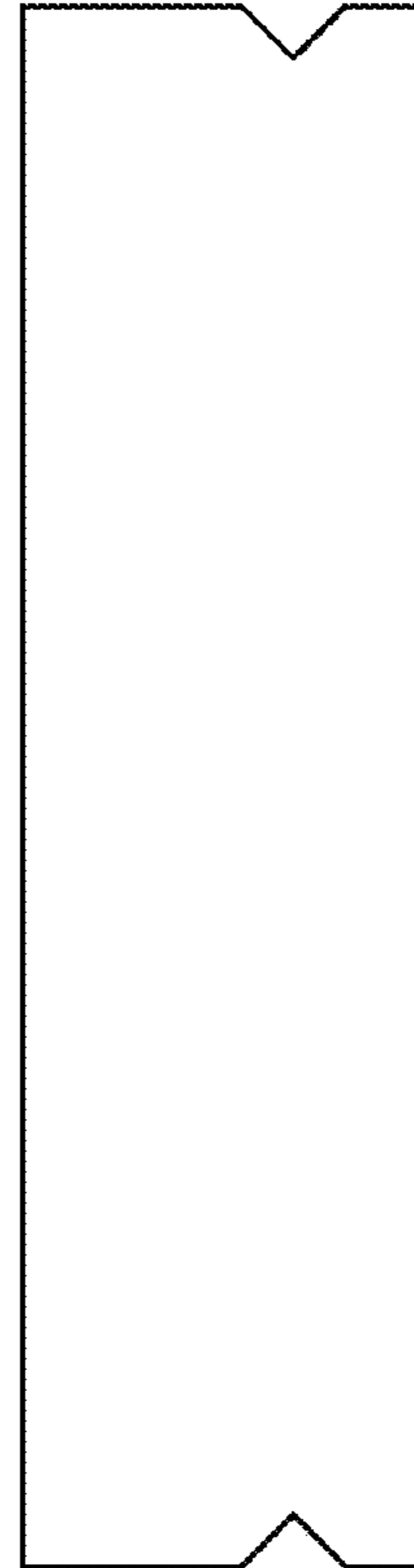


FIG. 18