



US00D725782S

(12) **United States Design Patent**  
**Gill**

(10) **Patent No.:** **US D725,782 S**  
(45) **Date of Patent:** **\*\* Mar. 31, 2015**

(54) **BOTTOM PANEL OF AN ENCLOSURE**

(56)

**References Cited**

(71) Applicant: **DEKA Products Limited Partnership**,  
Manchester, NH (US)

(72) Inventor: **Matthew R. Gill**, Cambridge, MA (US)

(73) Assignee: **DEKA Products Limited Partnership**,  
Manchester, NH (US)

(\*\*) Term: **14 Years**

(21) Appl. No.: **29/493,115**

(22) Filed: **Jun. 5, 2014**

(51) **LOC (10) Cl.** ..... **24-01**

(52) **U.S. Cl.**  
USPC ..... **D24/169**

(58) **Field of Classification Search**  
USPC ..... D24/169, 186, 107, 108, 111, 216, 219,  
D24/232; 604/27, 29, 131, 132, 140, 141,  
604/146

See application file for complete search history.

U.S. PATENT DOCUMENTS

D308,249 S *	5/1990	Buckley .....	D24/169
D351,470 S *	10/1994	Scherer et al. ....	D24/169
D556,910 S *	12/2007	Reihanifam et al. ....	D24/169
D627,470 S *	11/2010	Hickey et al. ....	D24/169
D639,930 S *	6/2011	Collins et al. ....	D24/107

\* cited by examiner

*Primary Examiner* — Anhdao Doan

(74) *Attorney, Agent, or Firm* — Marc Gorayeb

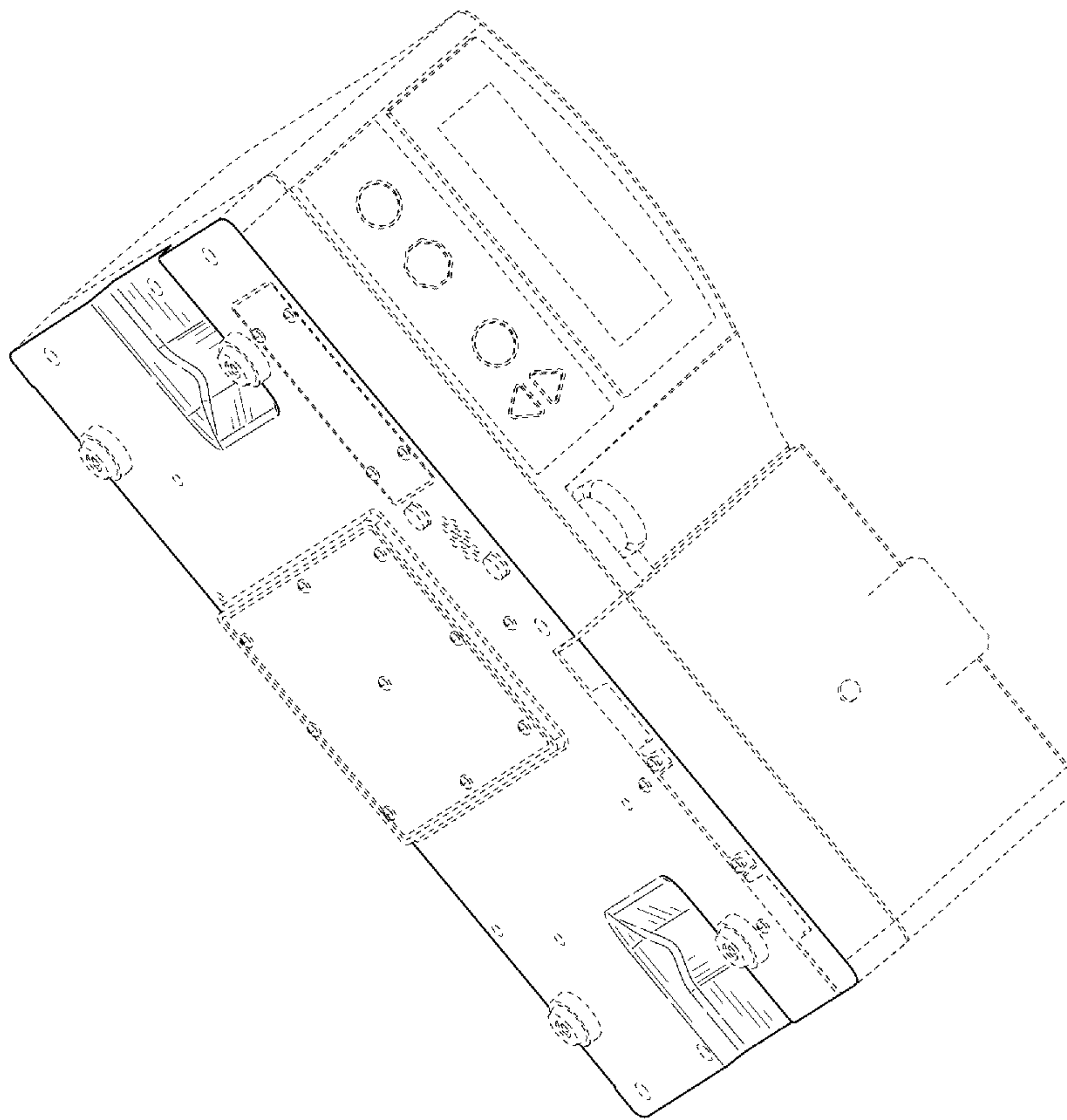
(57) **CLAIM**

The ornamental design for a bottom panel of an enclosure, as shown and described.

**DESCRIPTION**

FIG. 1 is a front, top, and right perspective view of the bottom panel of an enclosure, showing the new design; FIG. 2 is a front side elevational view thereof; FIG. 3 is back side elevational view thereof; FIG. 4 is a left side elevational view thereof; FIG. 5 is a right side elevational view thereof; FIG. 6 is a bottom plan view thereof; FIG. 7 is a front, bottom, left perspective view thereof; and, FIG. 8 is a back, bottom, right perspective view thereof. The broken lines represent unclaimed portions of the bottom panel of an enclosure and form no part of the claimed design.

**1 Claim, 7 Drawing Sheets**



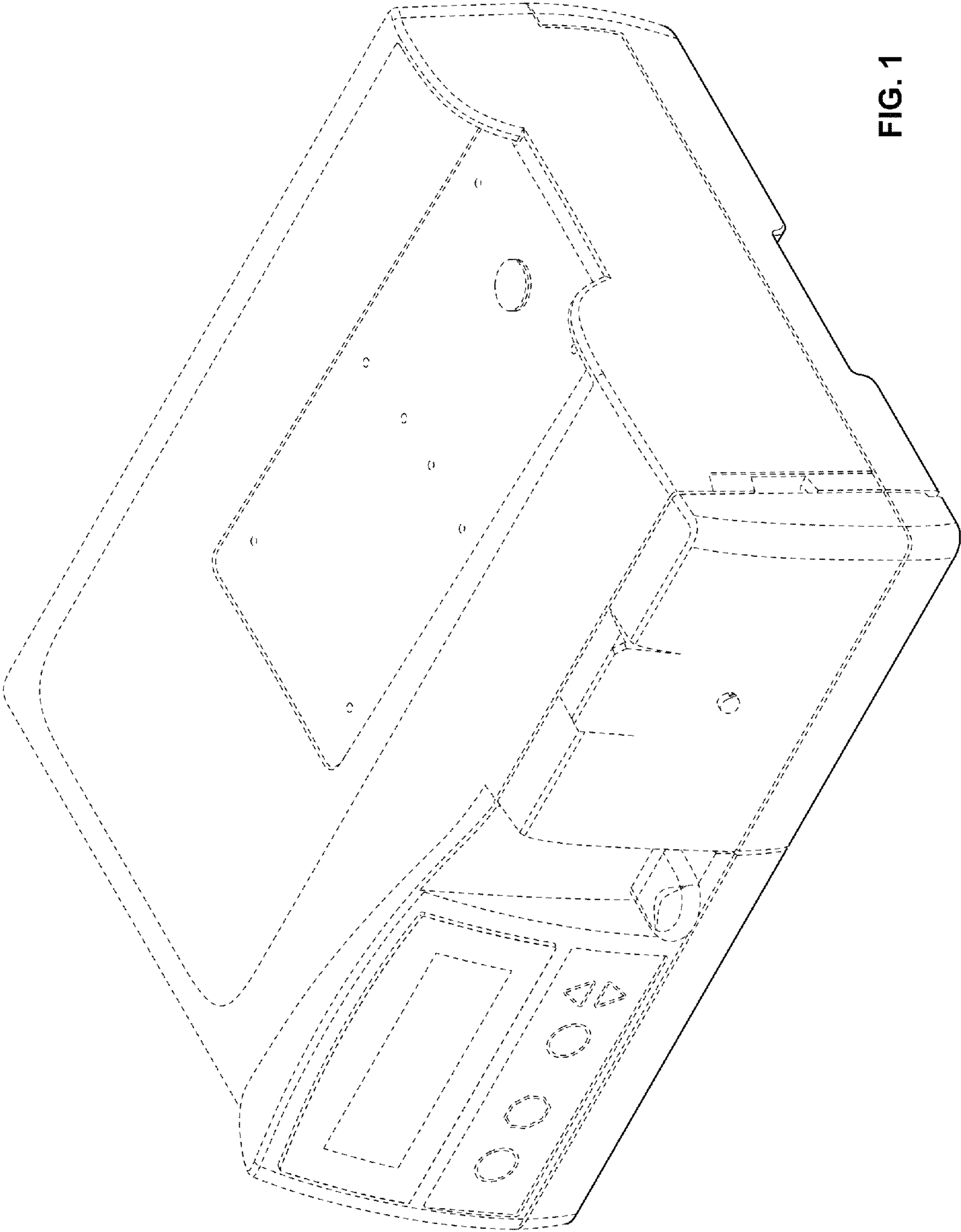


FIG. 1

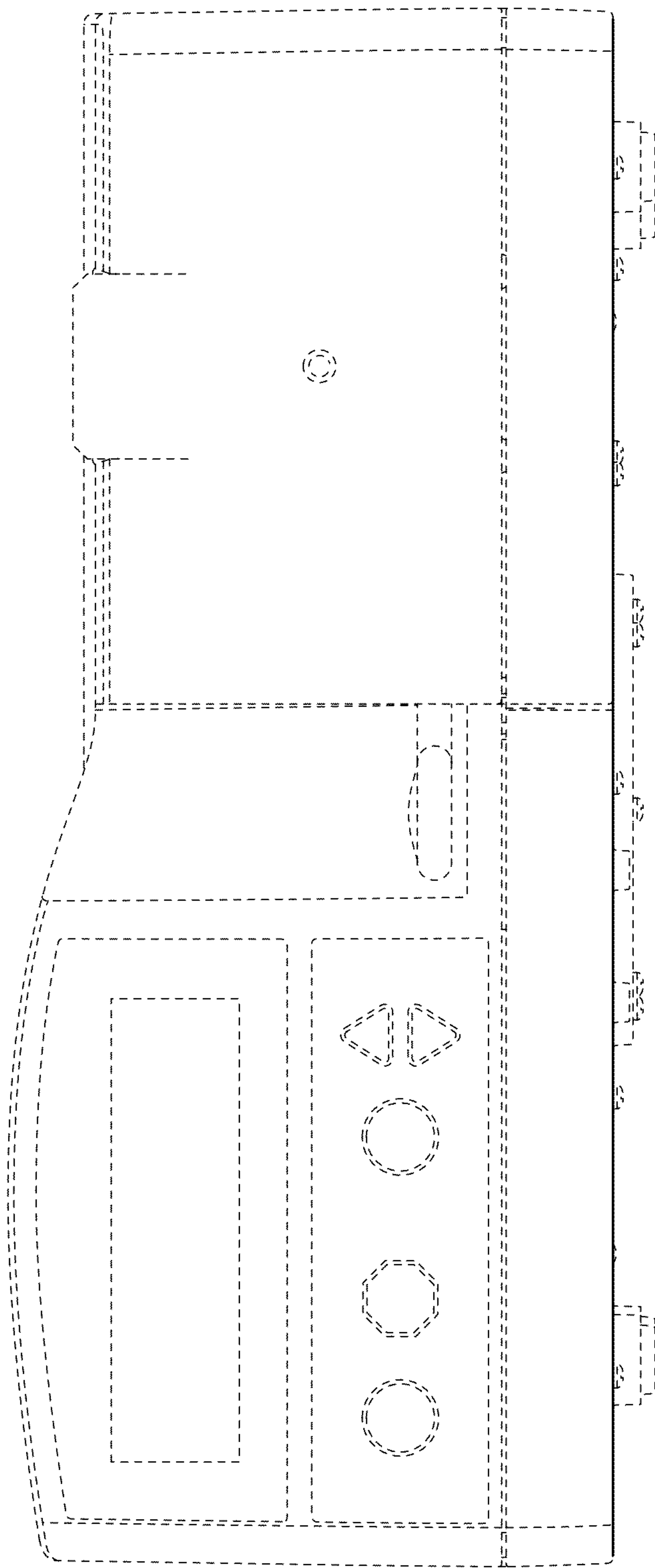


FIG. 2

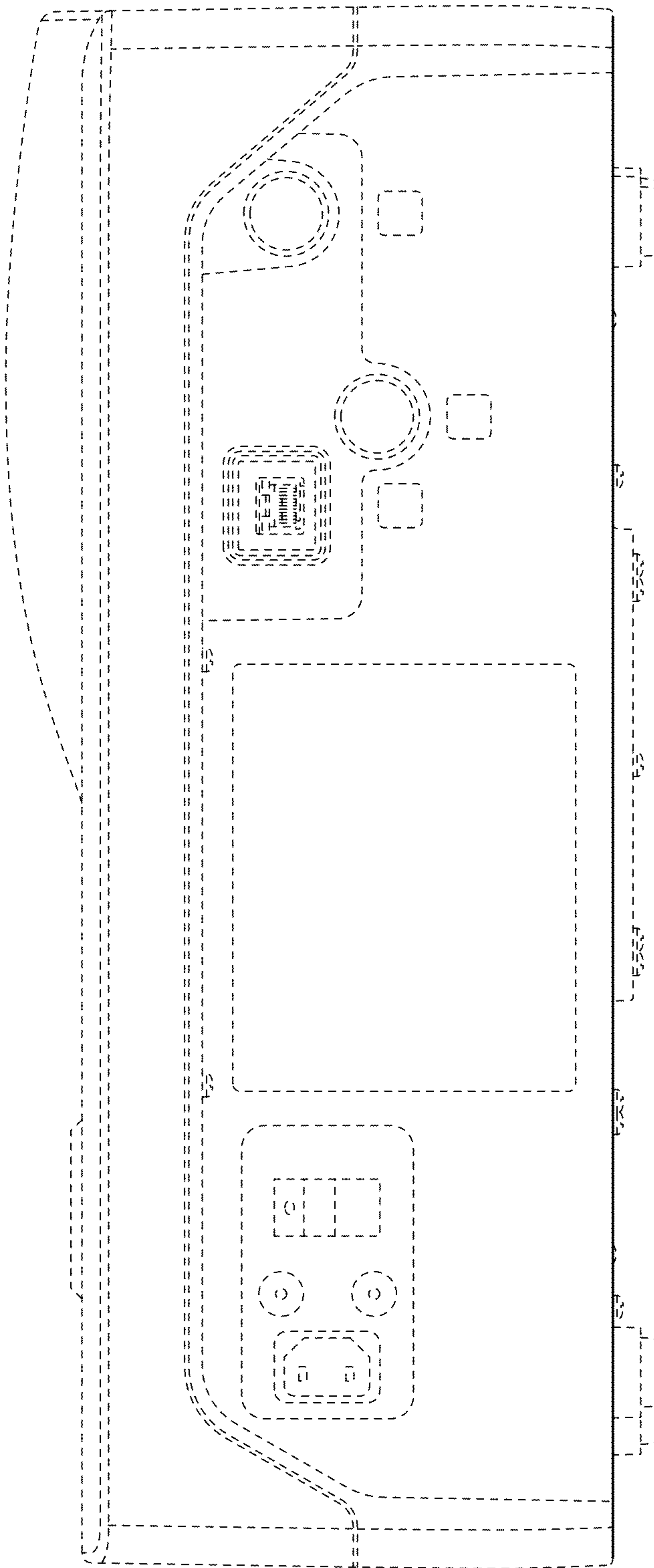


FIG. 3

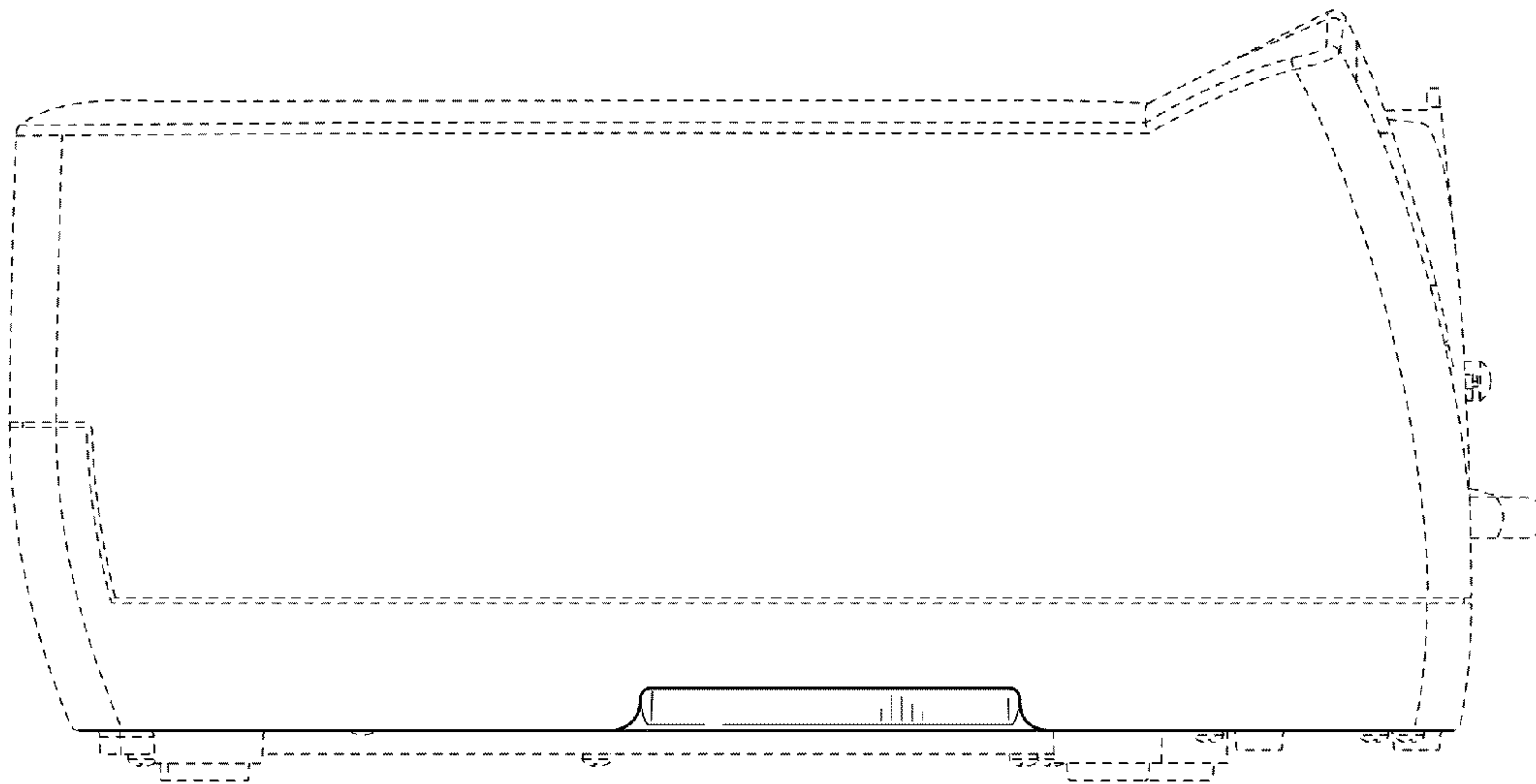


FIG. 4

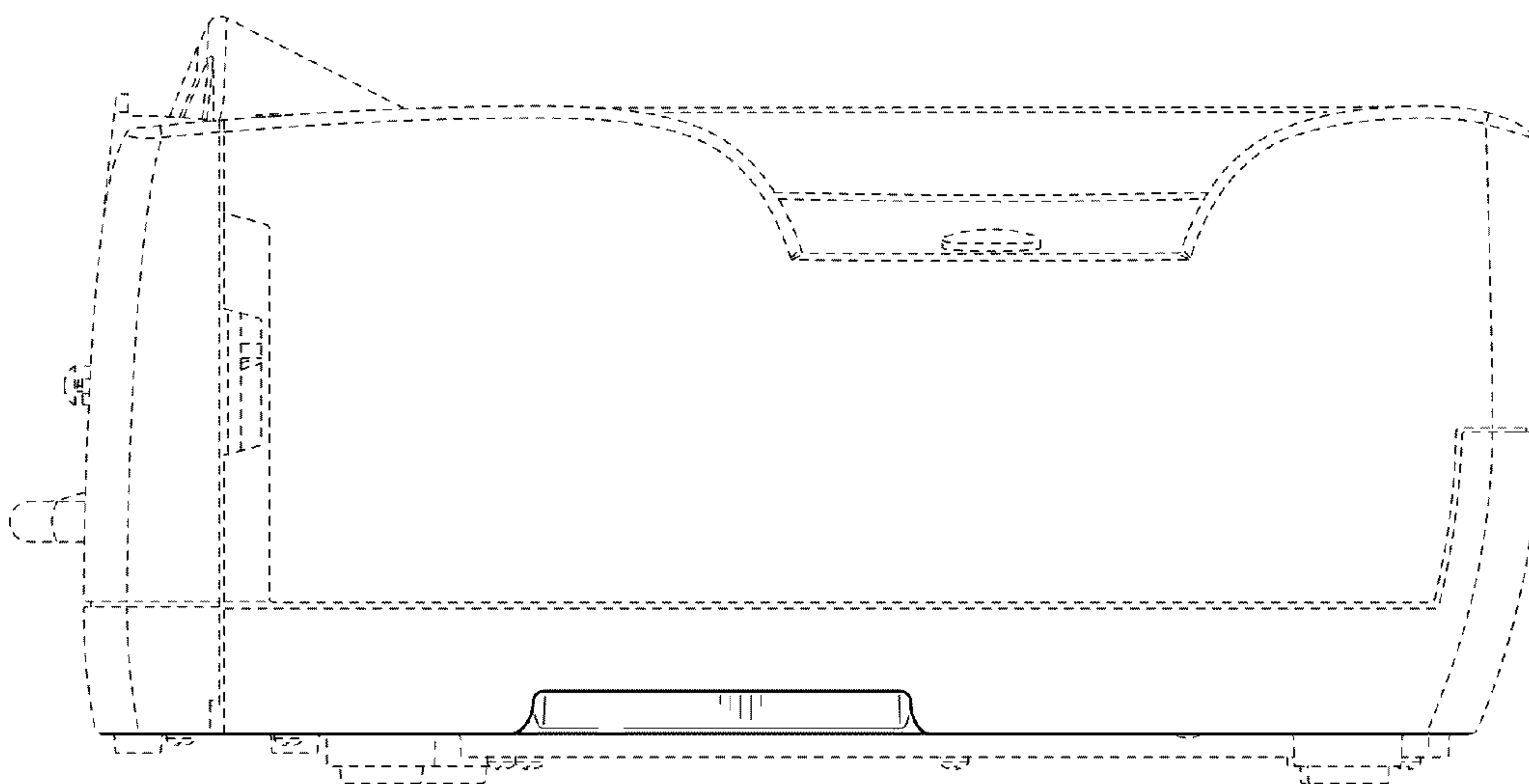


FIG. 5



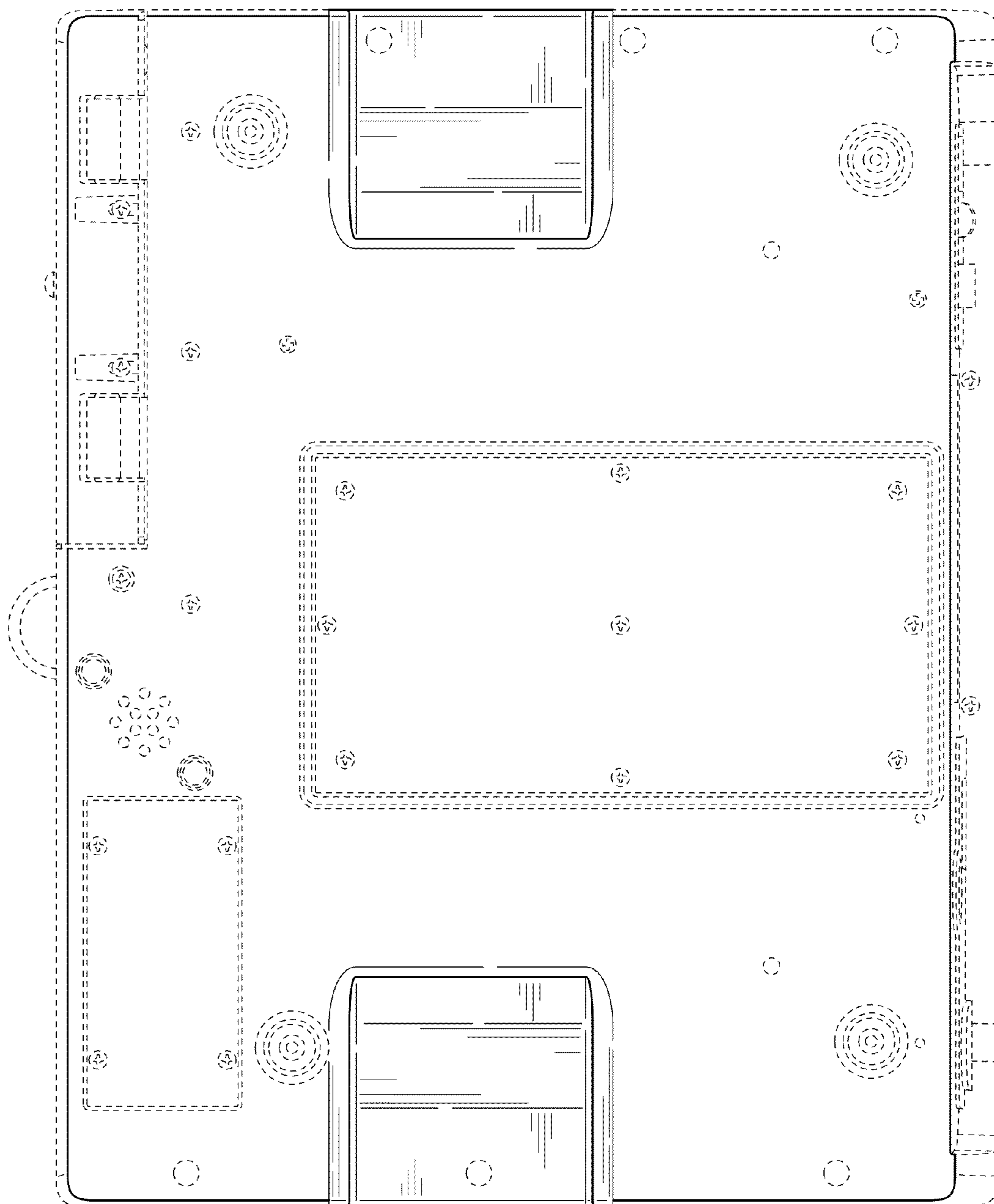


FIG. 6

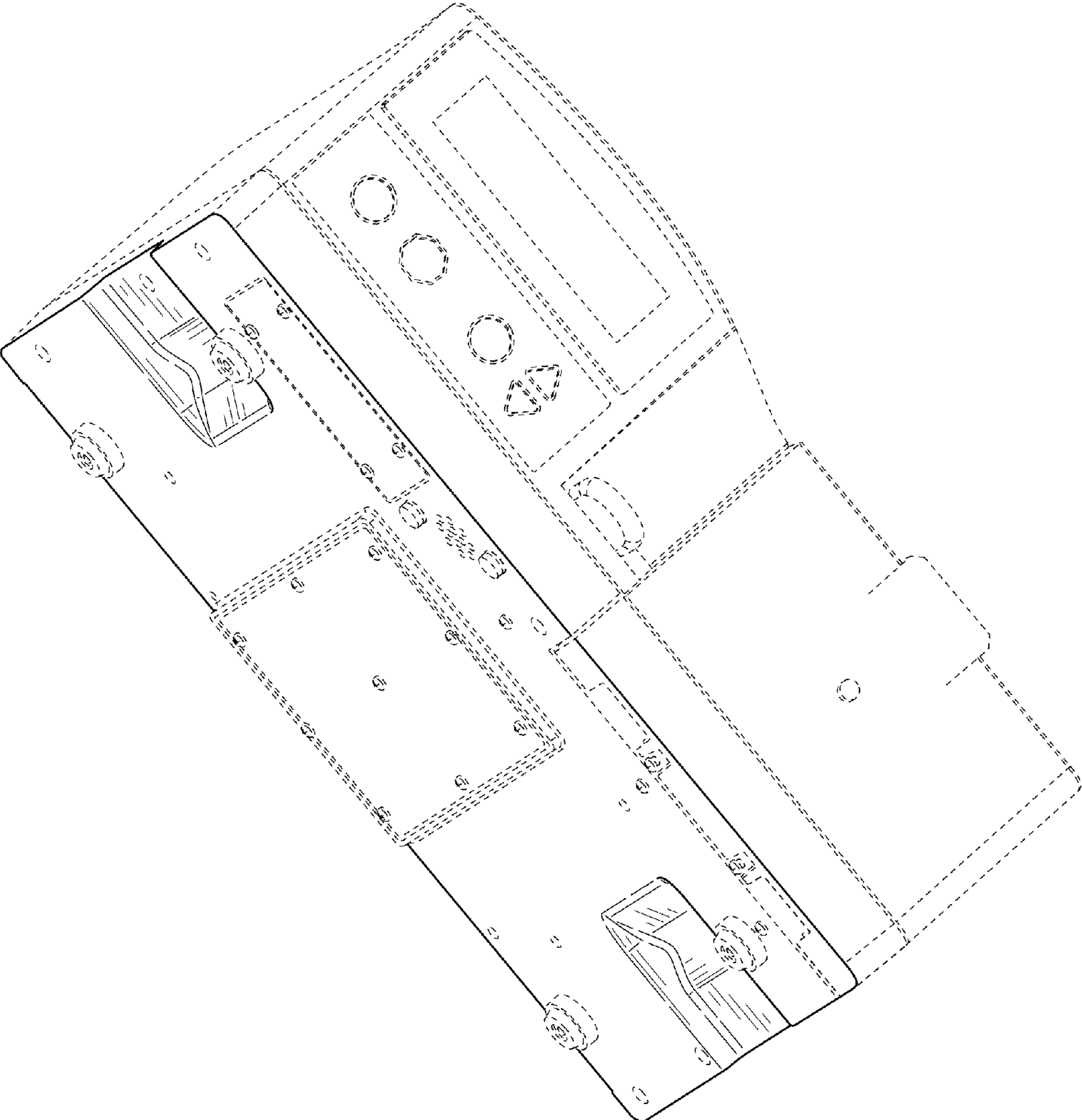


FIG. 7

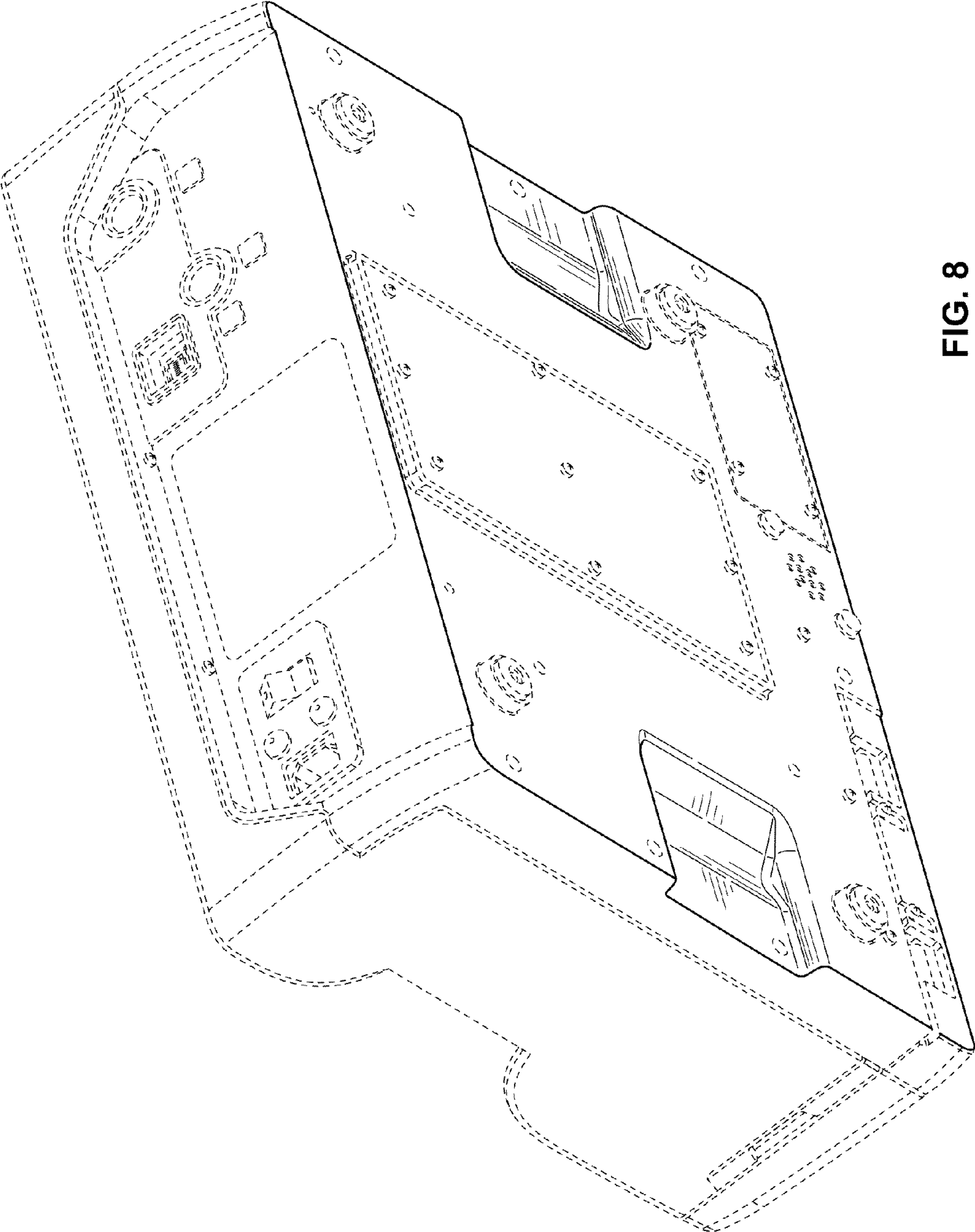


FIG. 8