



US00D725781S

(12) **United States Design Patent**
Collins

(10) **Patent No.:** **US D725,781 S**
(45) **Date of Patent:** **** Mar. 31, 2015**

(54) **CONTAINER HOLDER FOR A PERITONEAL DIALYSIS DEVICE**

(71) Applicant: **DEKA Products Limited Partnership**,
Manchester, NH (US)

(72) Inventor: **David E. Collins**, Groveland, MA (US)

(73) Assignee: **DEKA Products Limited Partnership**,
Manchester, NH (US)

(**) Term: **14 Years**

(21) Appl. No.: **29/493,112**

(22) Filed: **Jun. 5, 2014**

(51) **LOC (10) Cl.** **24-01**

(52) **U.S. Cl.**
USPC **D24/169**

(58) **Field of Classification Search**
USPC D24/169, 186, 107, 108, 111, 216, 219,
D24/232, 227; 604/27, 29, 131, 132, 140,
604/141, 146
See application file for complete search history.

(56) **References Cited**

U.S. PATENT DOCUMENTS

D308,249 S * 5/1990 Buckley D24/169
D351,470 S * 10/1994 Scherer et al. D24/169
5,431,626 A * 7/1995 Bryant et al. 604/65

5,938,634 A * 8/1999 Packard 604/29
D556,910 S * 12/2007 Reihanifam et al. D24/169
D637,293 S * 5/2011 Hickey et al. D24/169
D645,157 S * 9/2011 Fallon et al. D24/227
2009/0222119 A1 * 9/2009 Plahey et al. 604/29
2013/0037142 A1 * 2/2013 Farrell 137/565.01
2014/0018728 A1 * 1/2014 Plahey et al. 604/29

* cited by examiner

Primary Examiner — Anhdao Doan

(74) *Attorney, Agent, or Firm* — Marc J. Gorayeb

(57) **CLAIM**

The ornamental design for a container holder for a peritoneal dialysis device, as shown and described.

DESCRIPTION

FIG. 1 is a front, top, and right side perspective view of the container holder for a peritoneal dialysis device, showing the new design;

FIG. 2 is a front side elevational view thereof;

FIG. 3 is a rear side elevational view thereof;

FIG. 4 is a right side elevational view thereof.

FIG. 5 is a left side elevational view thereof; and

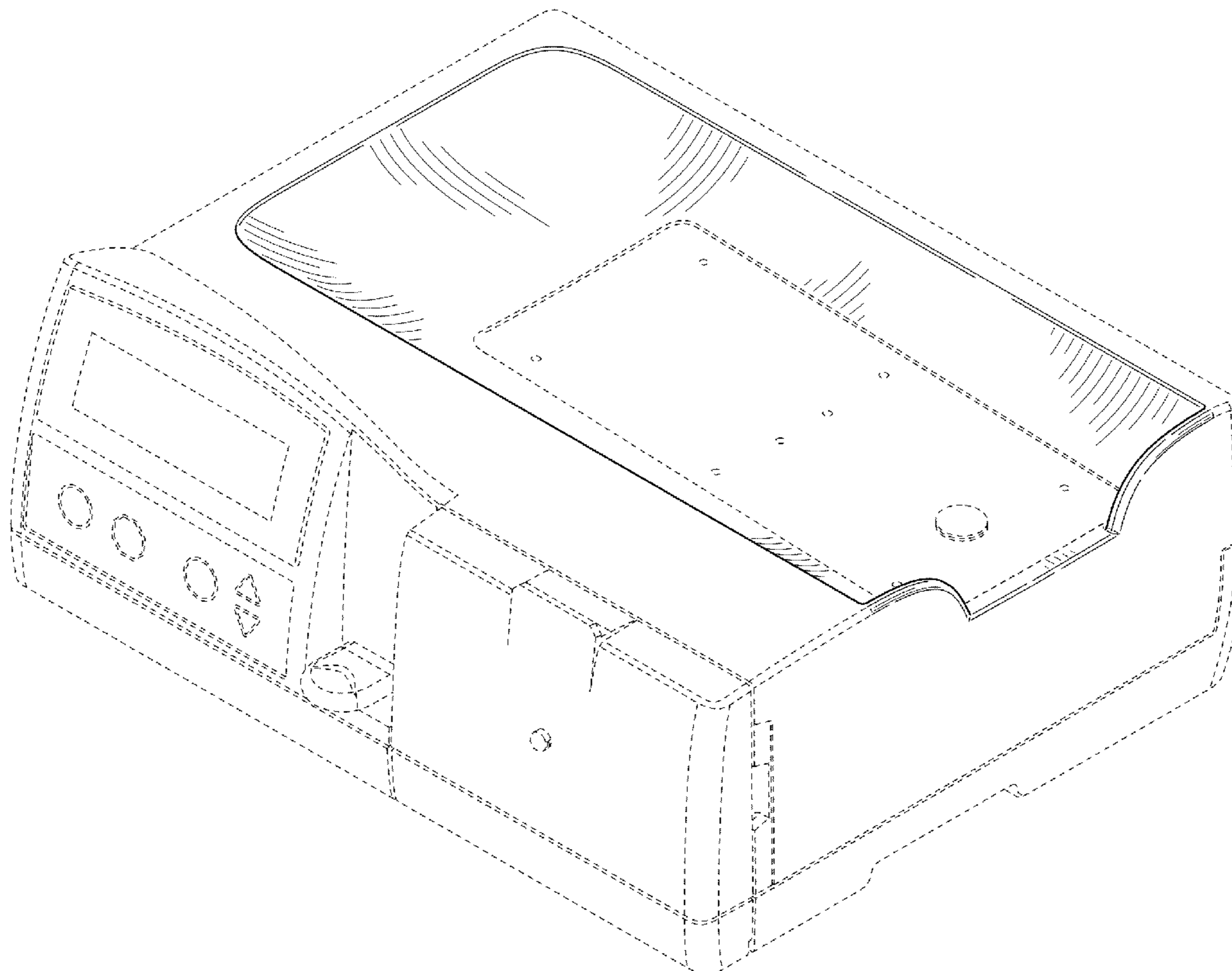
FIG. 6 is a top plan view thereof;

FIG. 7 is a bottom plan view thereof; and,

FIG. 8 is a front, top, left side perspective view thereof.

The broken lines represent unclaimed portions of the container holder for a peritoneal dialysis device and form no part of the claimed design.

1 Claim, 7 Drawing Sheets



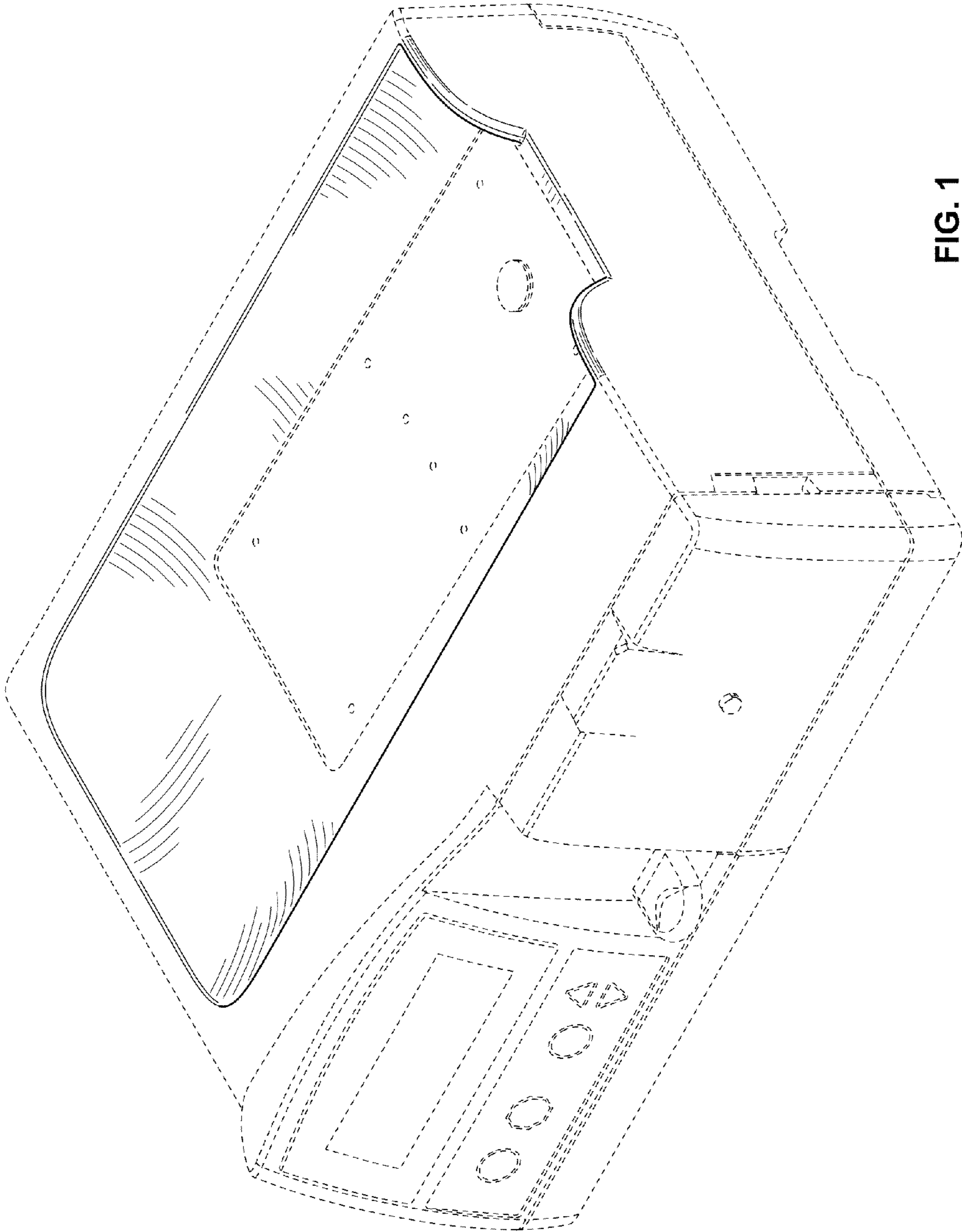


FIG. 1

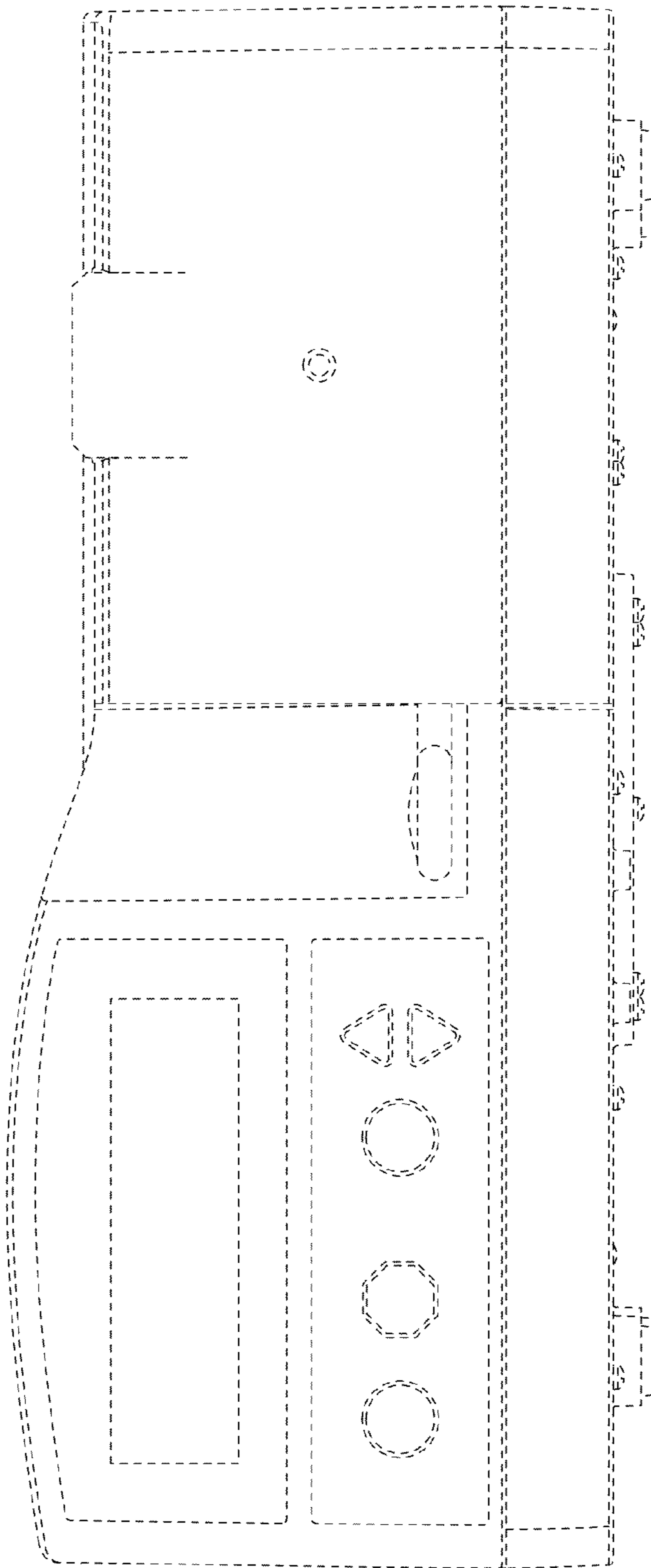


FIG. 2

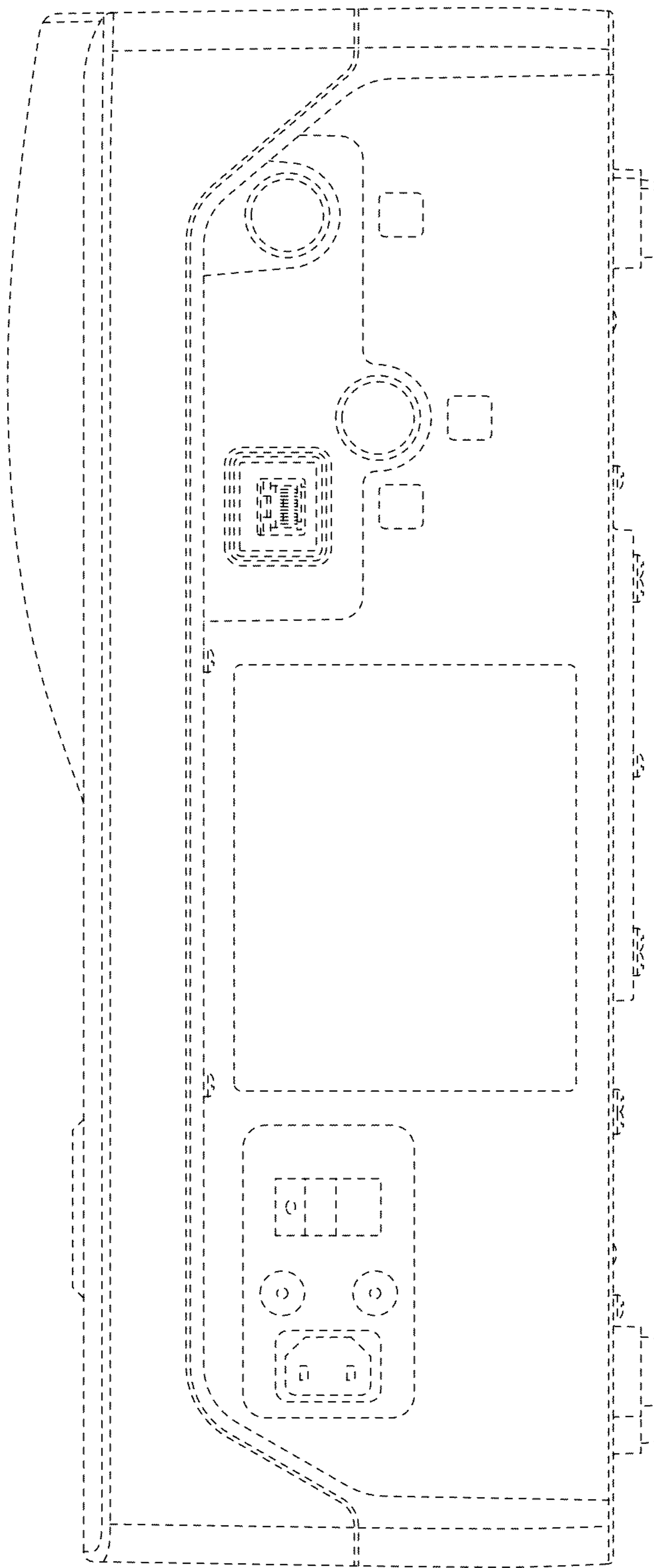


FIG. 3

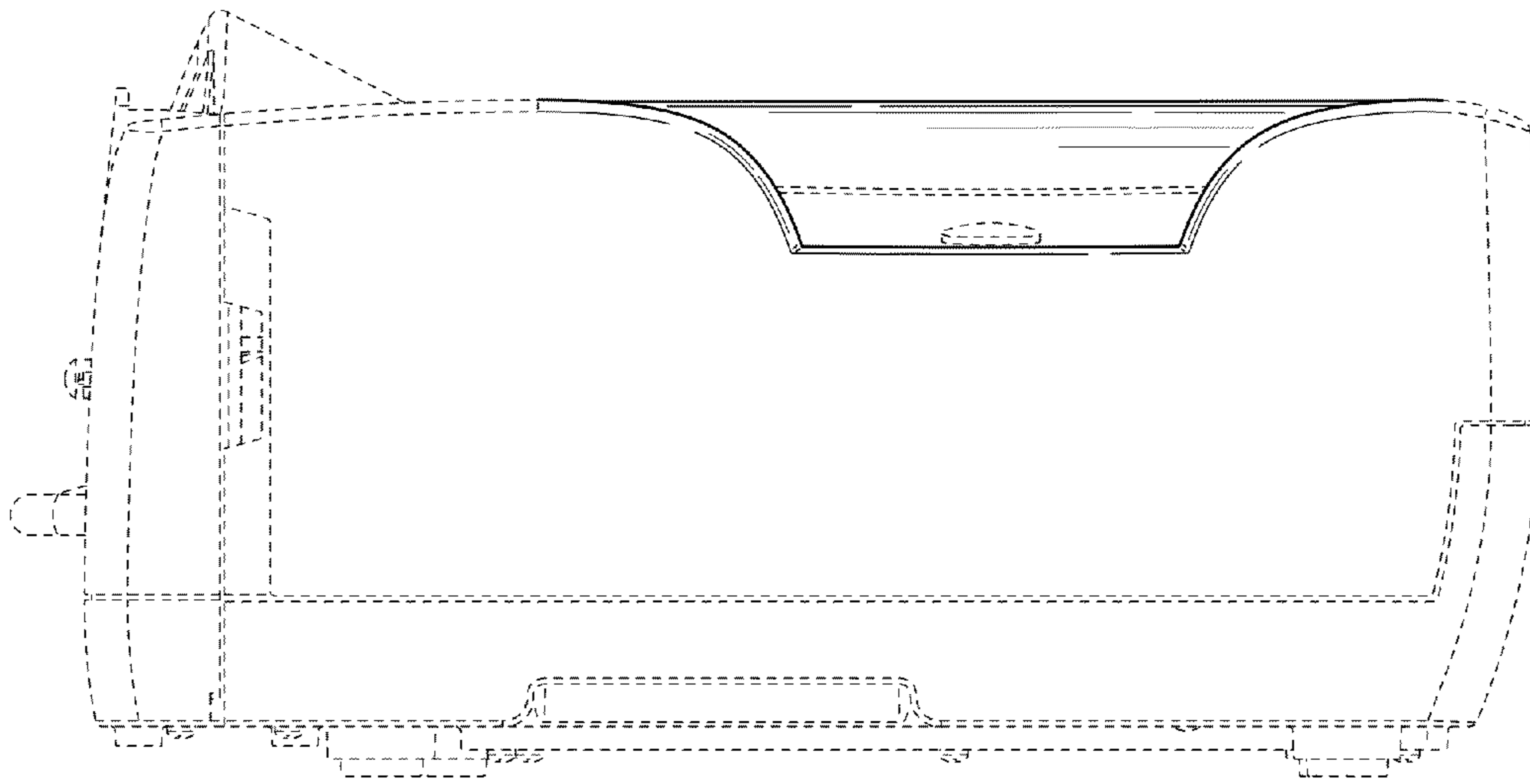


FIG. 4



FIG. 5

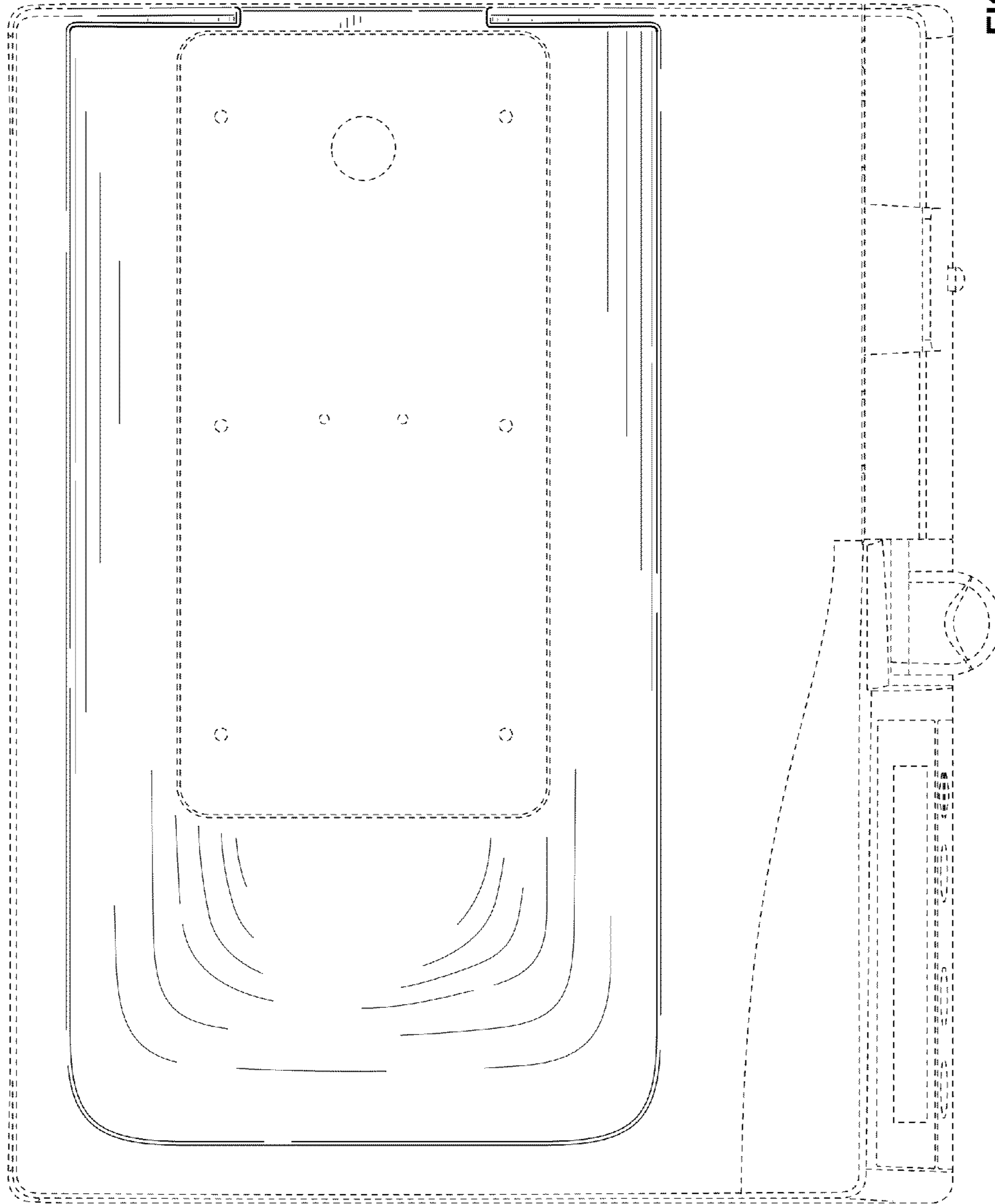


FIG. 6

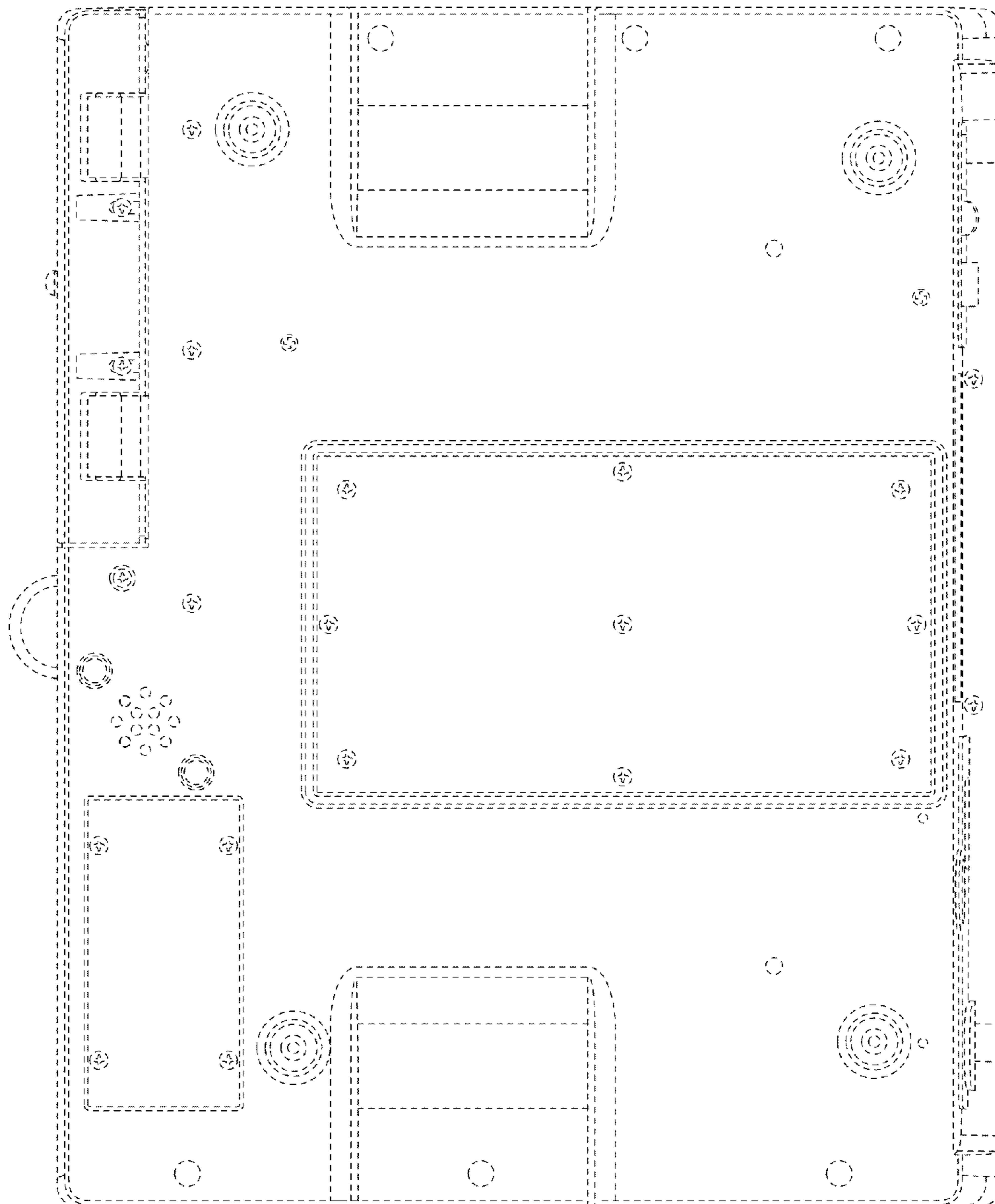


FIG. 7

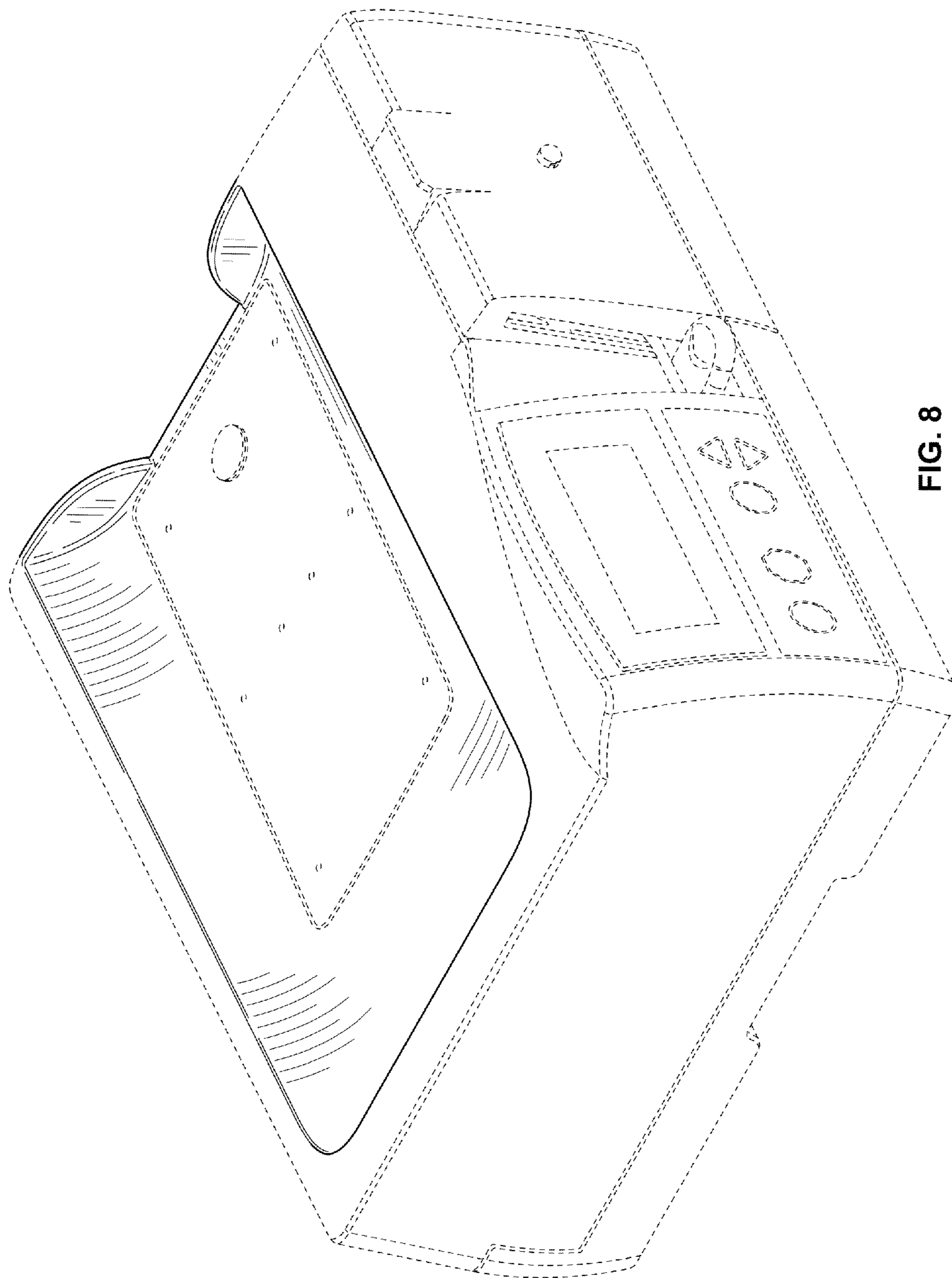


FIG. 8