



US00D725778S

(12) **United States Design Patent**
Sul

(10) **Patent No.:** **US D725,778 S**
(45) **Date of Patent:** **** Mar. 31, 2015**

(54) **X-RAY DEVICE**

(71) Applicant: **Samsung Electronics Co., Ltd.**,
Suwon-si, Gyeonggi-do (KR)

(72) Inventor: **Sung-Woo Sul**, Yongin (KR)

(73) Assignee: **Samsung Electronics Co., Ltd.** (KR)

(**) Term: **14 Years**

(21) Appl. No.: **29/468,801**

(22) Filed: **Oct. 3, 2013**

(30) **Foreign Application Priority Data**

May 24, 2013 (KR) 30-2013-0027188

(51) **LOC (10) Cl.** **24-01**

(52) **U.S. Cl.**
USPC **D24/158**

(58) **Field of Classification Search**
USPC D24/158-161, 185, 186; 378/4, 21-27,
378/38, 40, 102, 196-198; 248/295.11,
248/297.21, 298.1; D8/380; D14/363, 452
See application file for complete search history.

(56) **References Cited**

U.S. PATENT DOCUMENTS

D554,755 S * 11/2007 Iwasaki et al. D24/158
D671,216 S * 11/2012 Moon et al. D24/158
D681,814 S * 5/2013 Nenoki D24/158

D690,012 S * 9/2013 Yanase et al. D24/158
D702,351 S * 4/2014 Li et al. D24/158
2002/0136355 A1 * 9/2002 Fadler et al. 378/197
2009/0067580 A1 * 3/2009 Laupper 378/197
2010/0310052 A1 * 12/2010 Seimiya 378/197
2011/0123001 A1 * 5/2011 Kopcienski et al. 378/198
2012/0087479 A1 * 4/2012 Moon et al. 378/189
2013/0121477 A1 * 5/2013 Lee et al. 378/198
2013/0136240 A1 * 5/2013 Causape Rodriguez
et al. 378/198

* cited by examiner

Primary Examiner — Anhdao Doan

(74) *Attorney, Agent, or Firm* — Cantor Colburn LLP

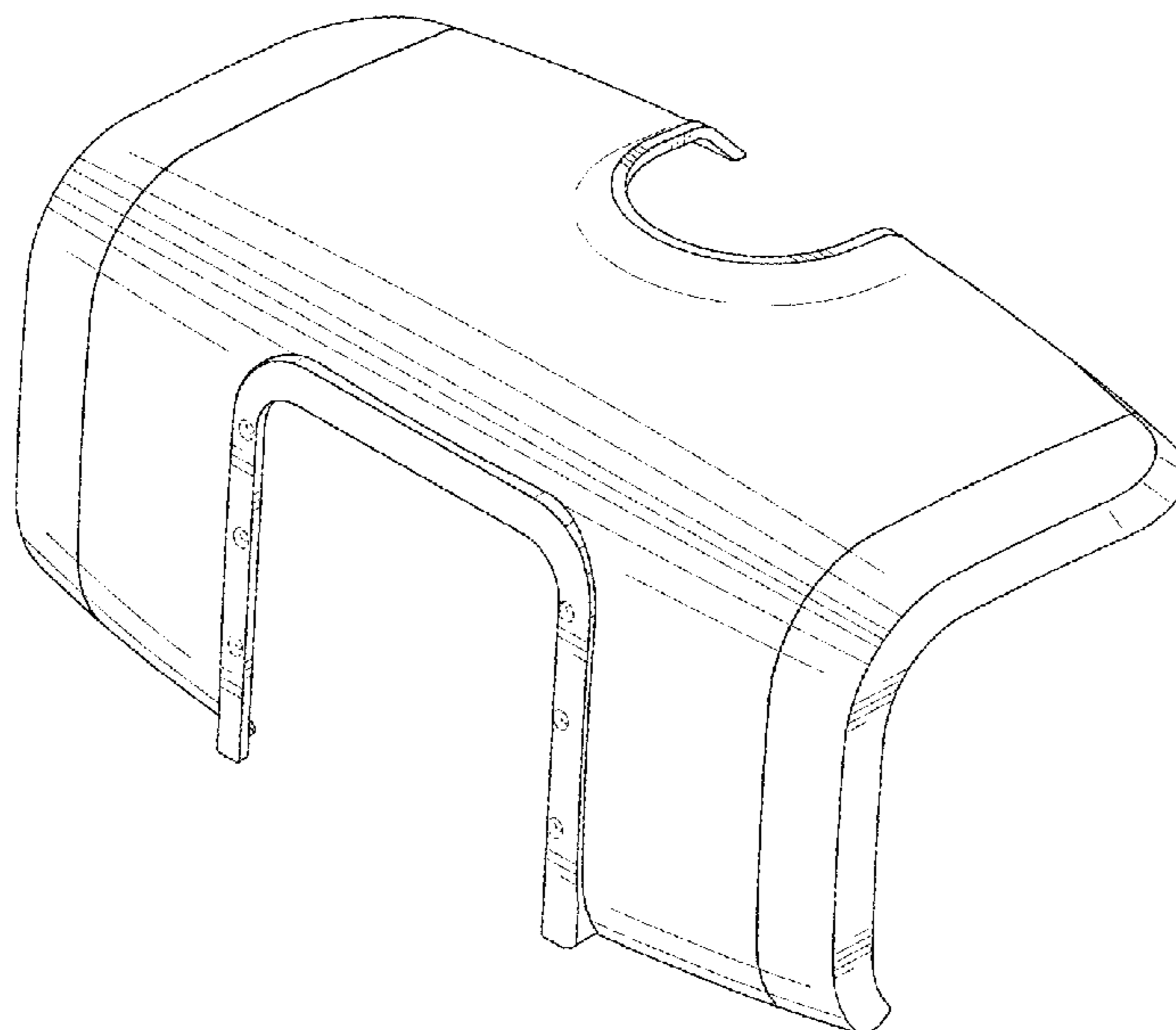
(57) **CLAIM**

The ornamental design for an X-ray device, as shown and described.

DESCRIPTION

FIG. 1 is a top front perspective view of an X-ray device showing my new design;
FIG. 2 is a front view thereof;
FIG. 3 is a rear view thereof;
FIG. 4 is a left side view thereof;
FIG. 5 is a right side view thereof;
FIG. 6 is a top view thereof;
FIG. 7 is a bottom view thereof; and,
FIG. 8 is a top front perspective view of the Cover Portion.
The broken lines illustrating portions of the X-ray device are for environmental purposes only and form no part of the claimed design.

1 Claim, 8 Drawing Sheets



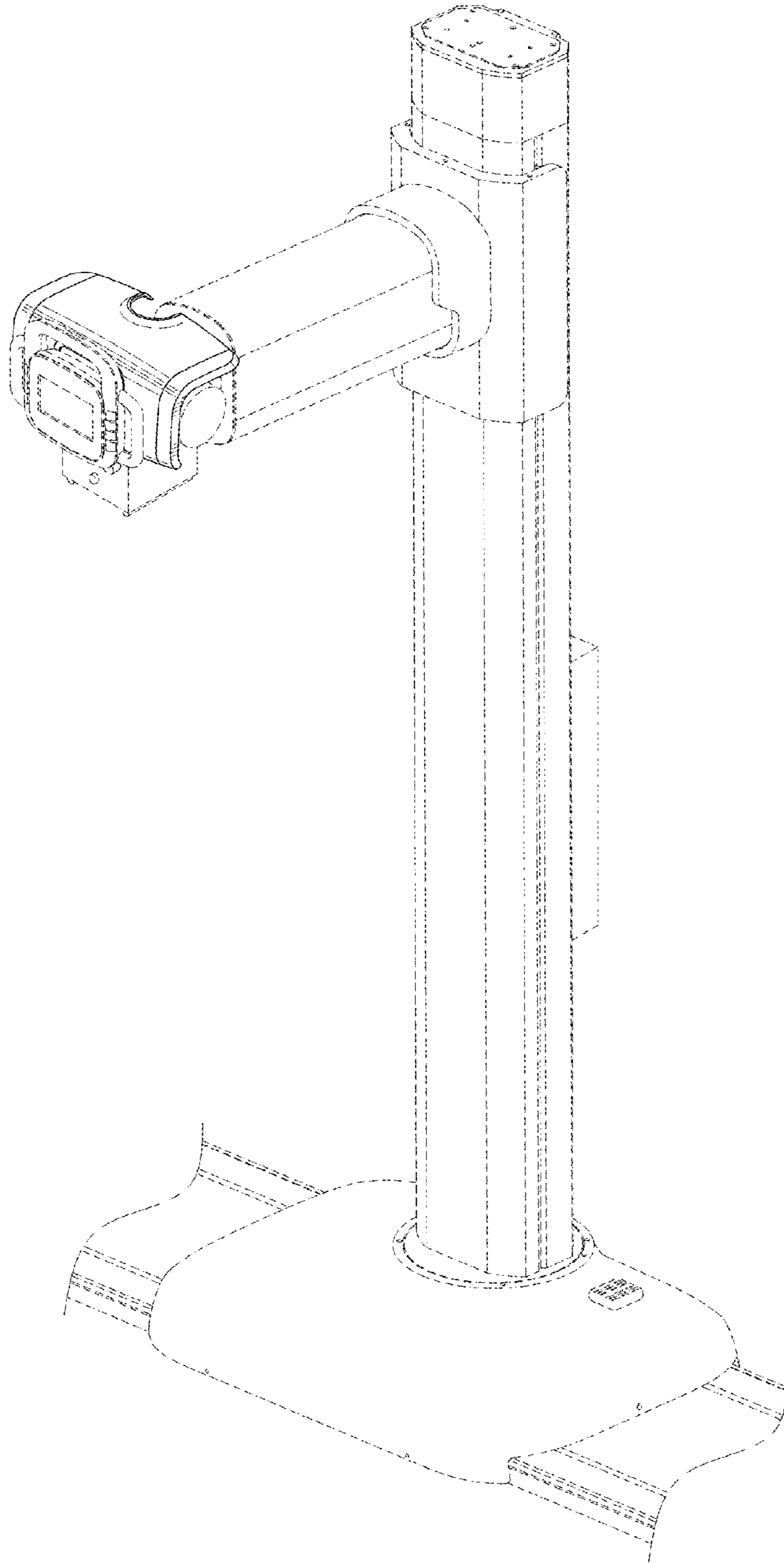


FIG.1

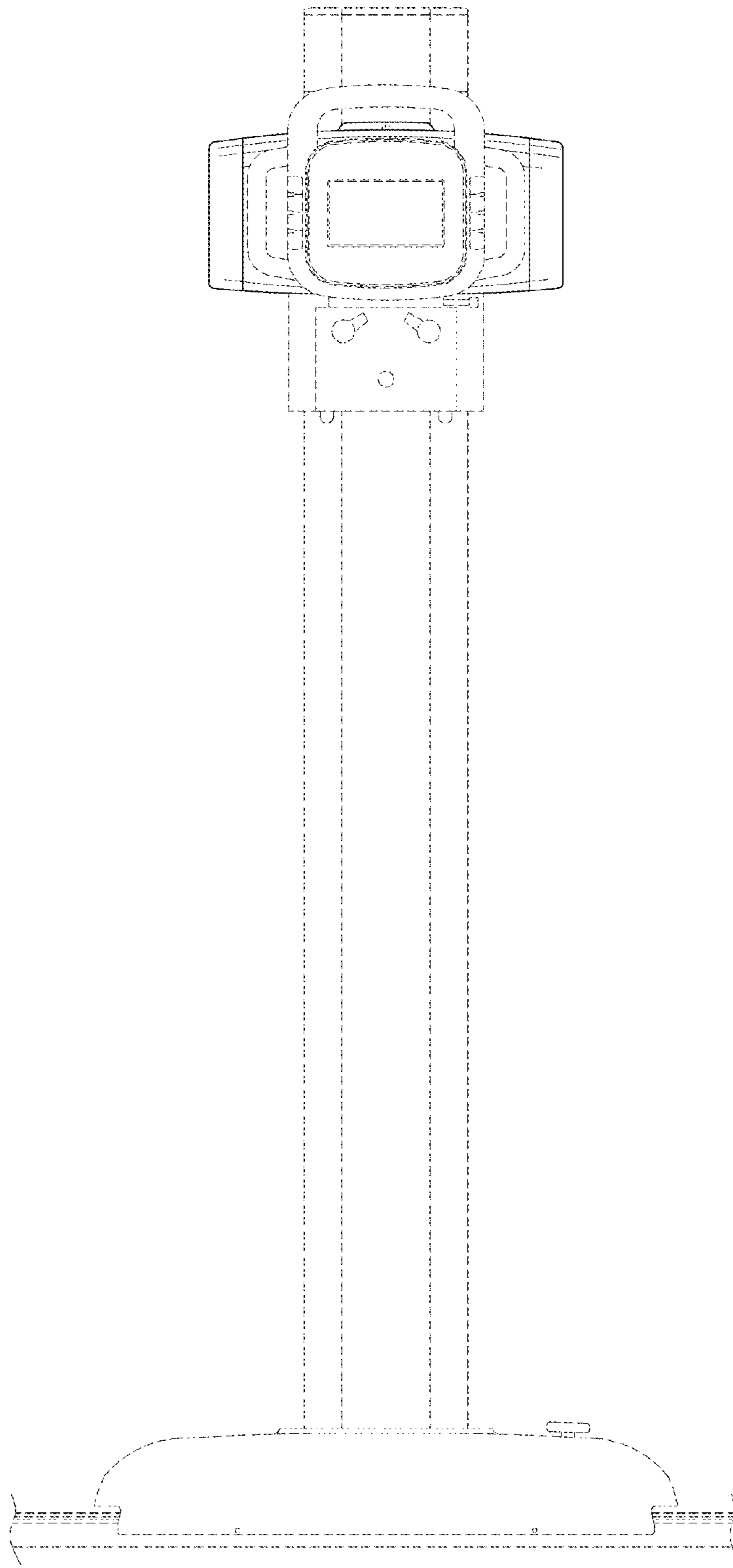


FIG.2

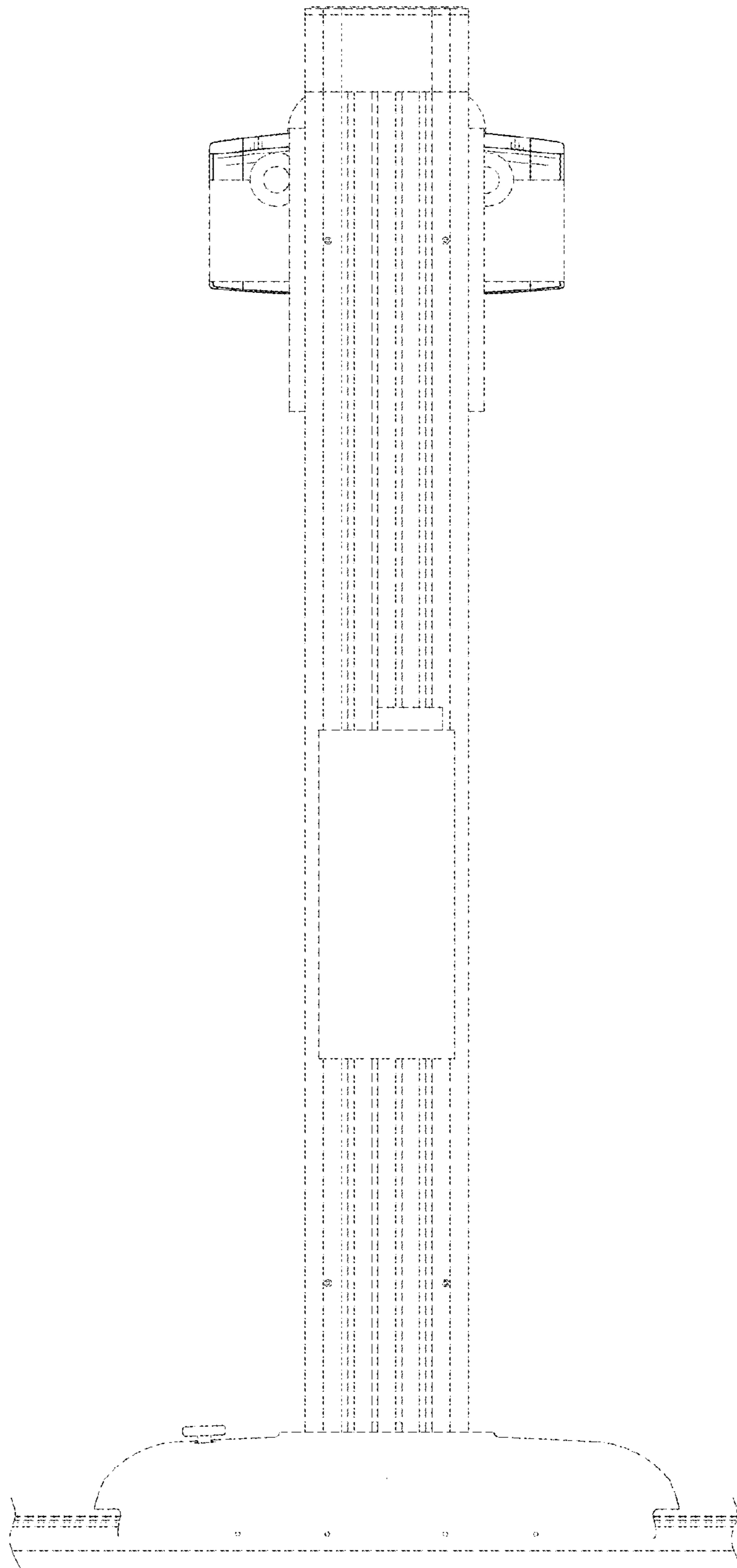


FIG.3

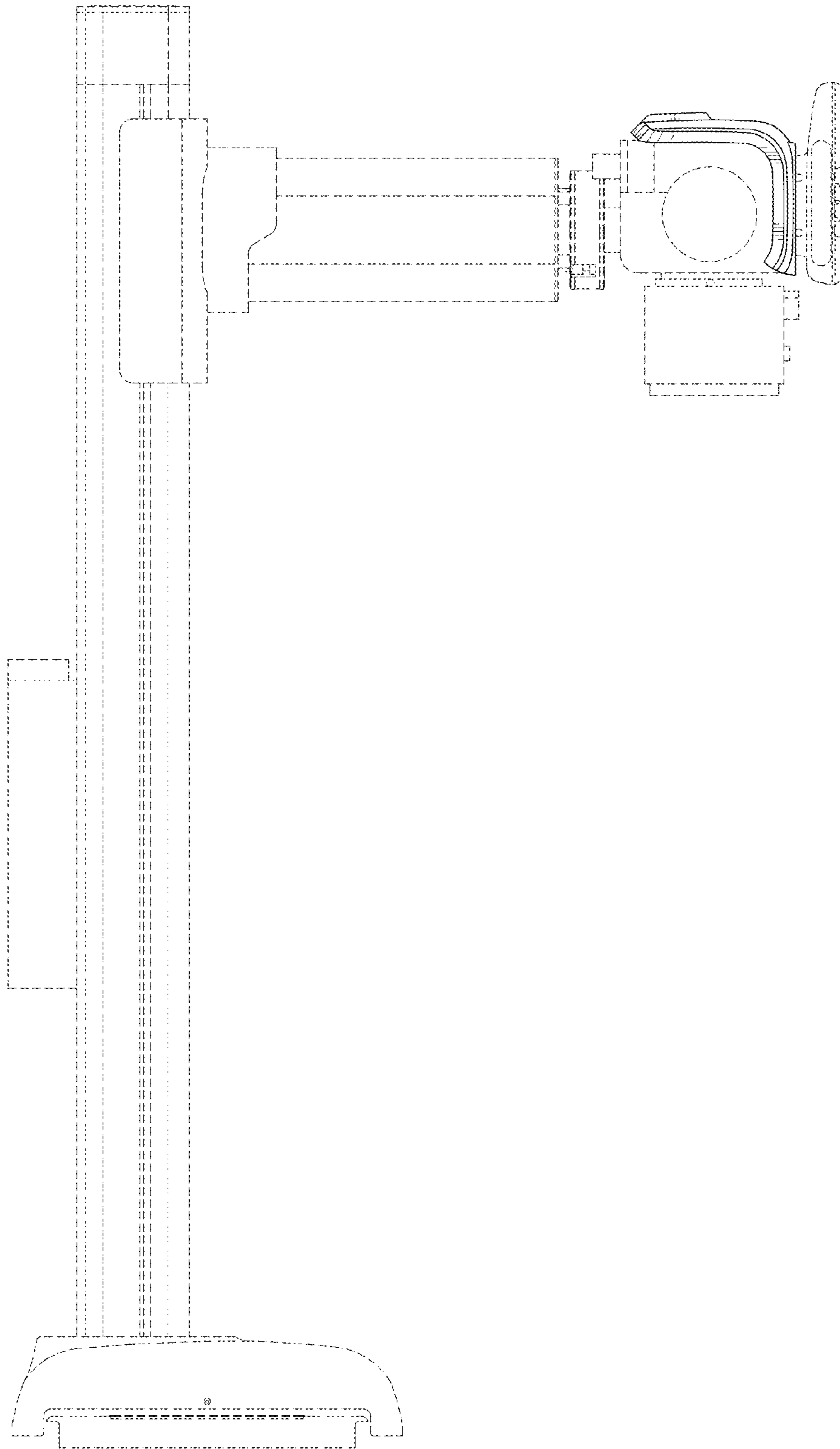


FIG.4

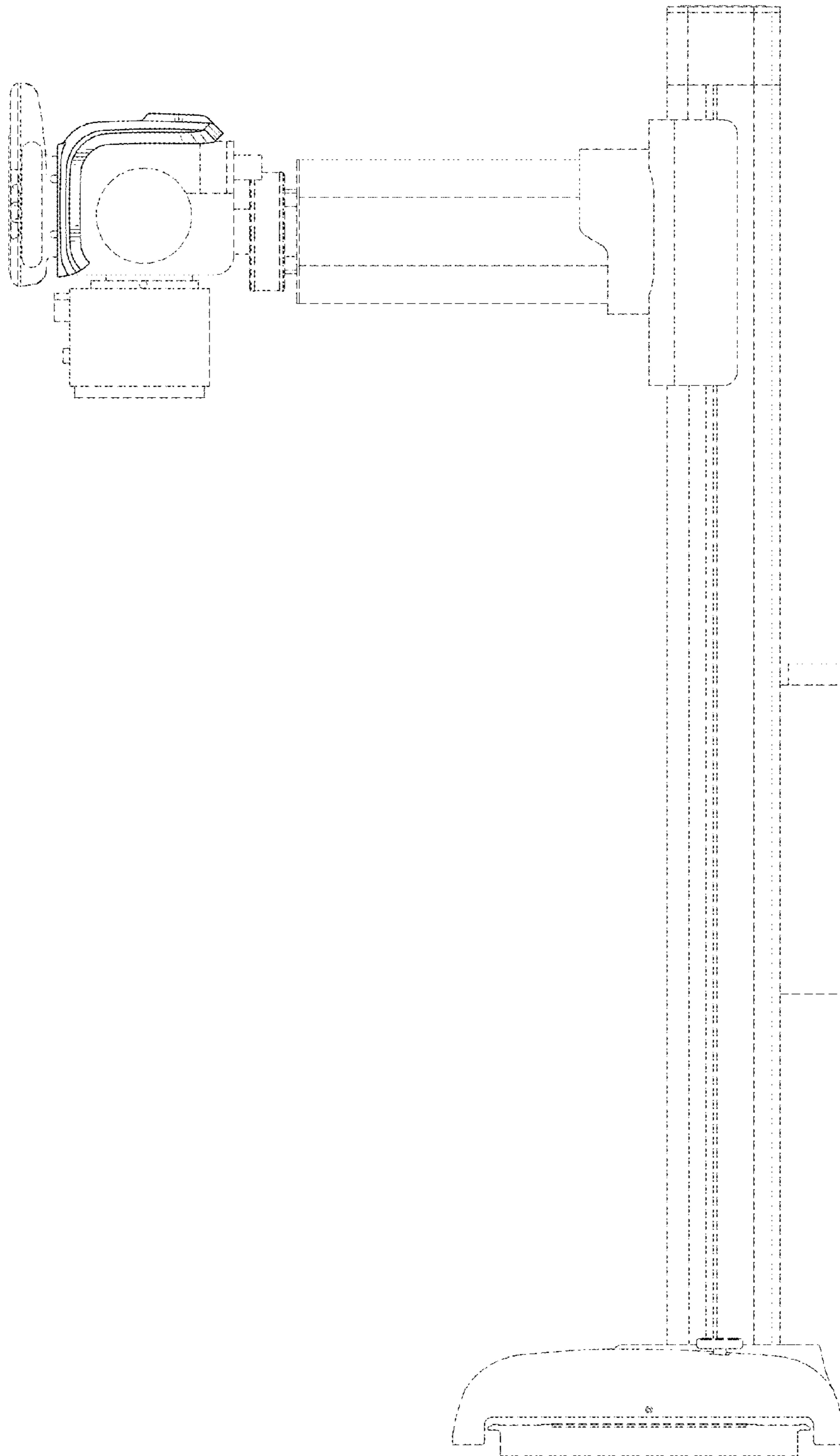


FIG.5

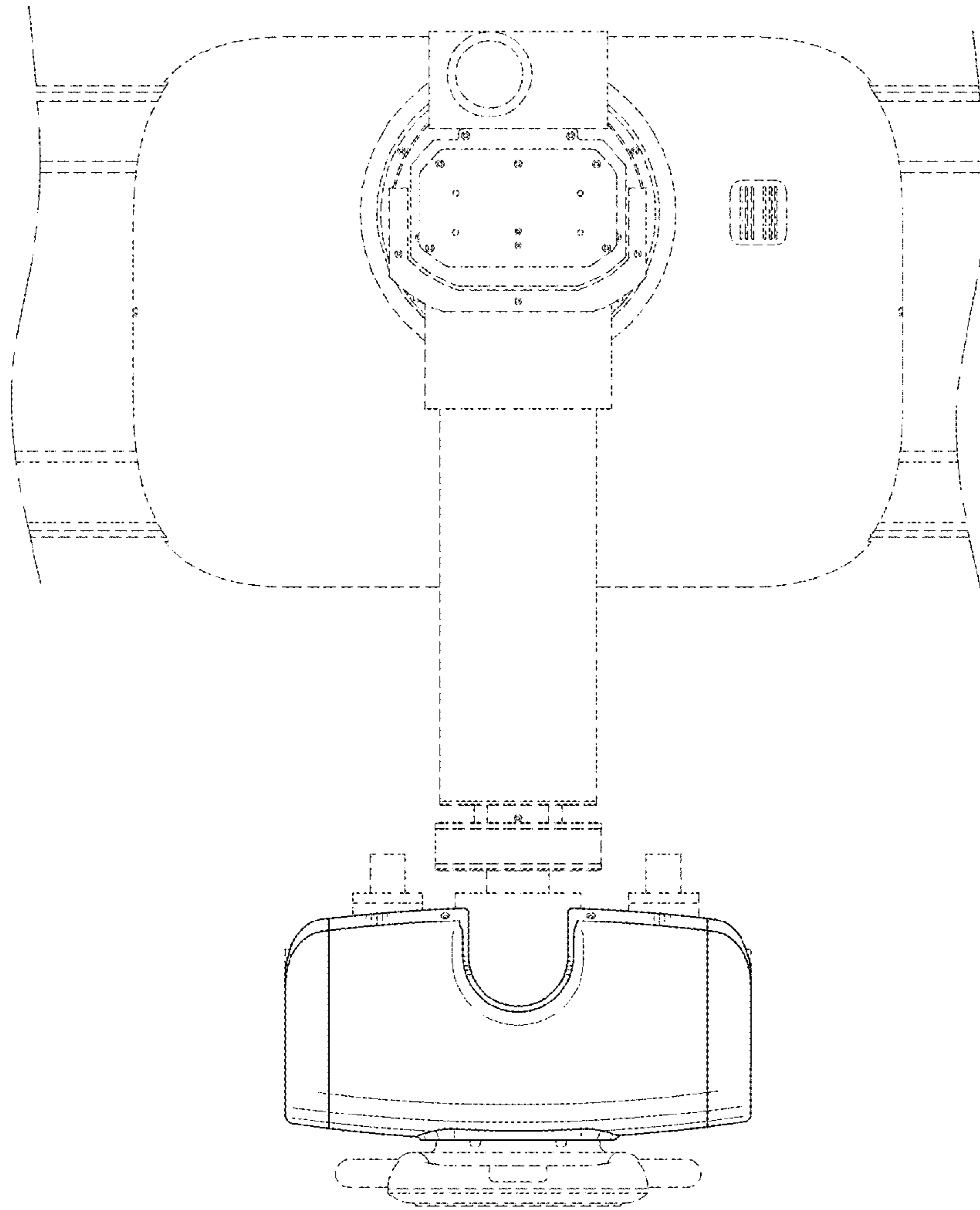


FIG.6

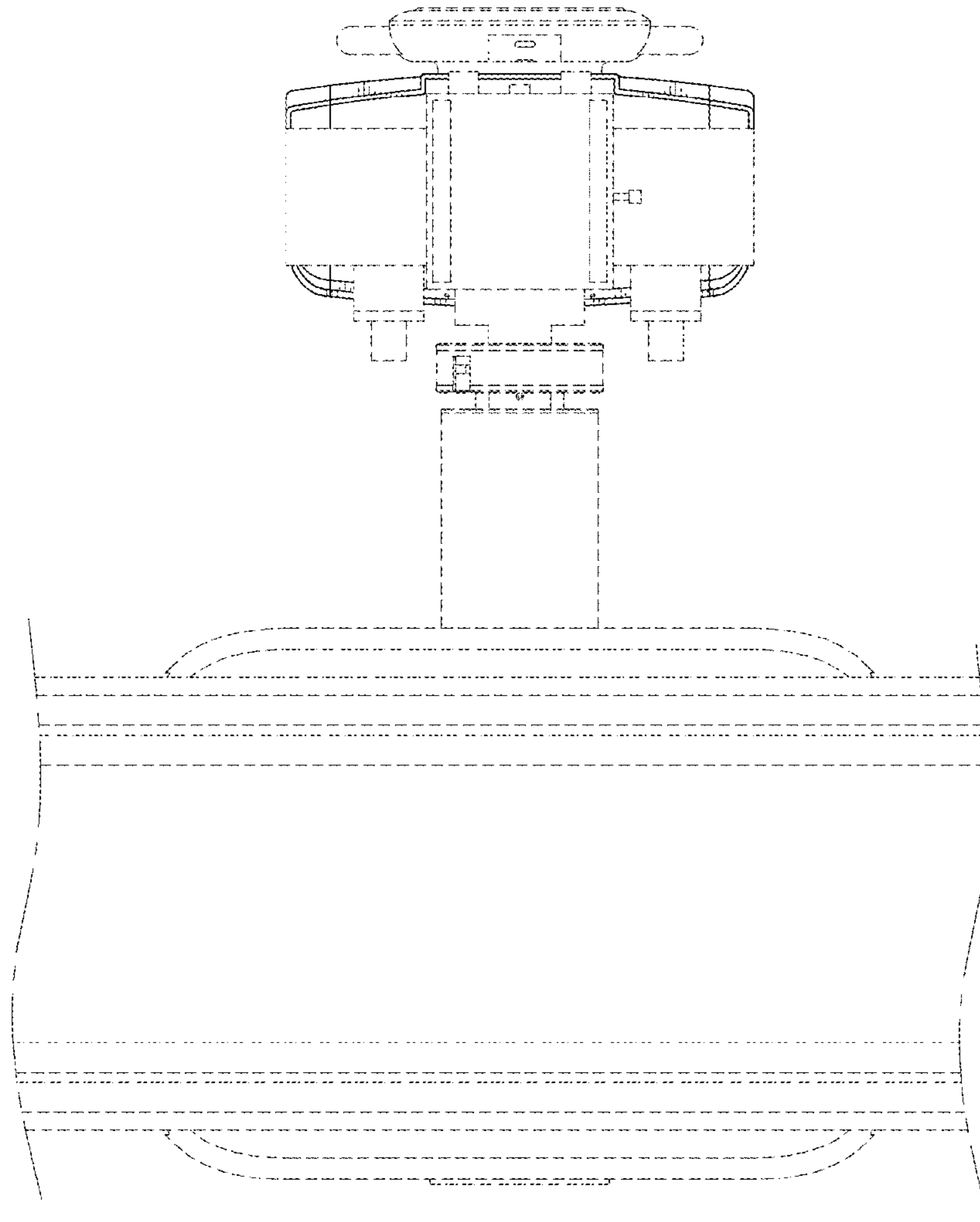


FIG.7

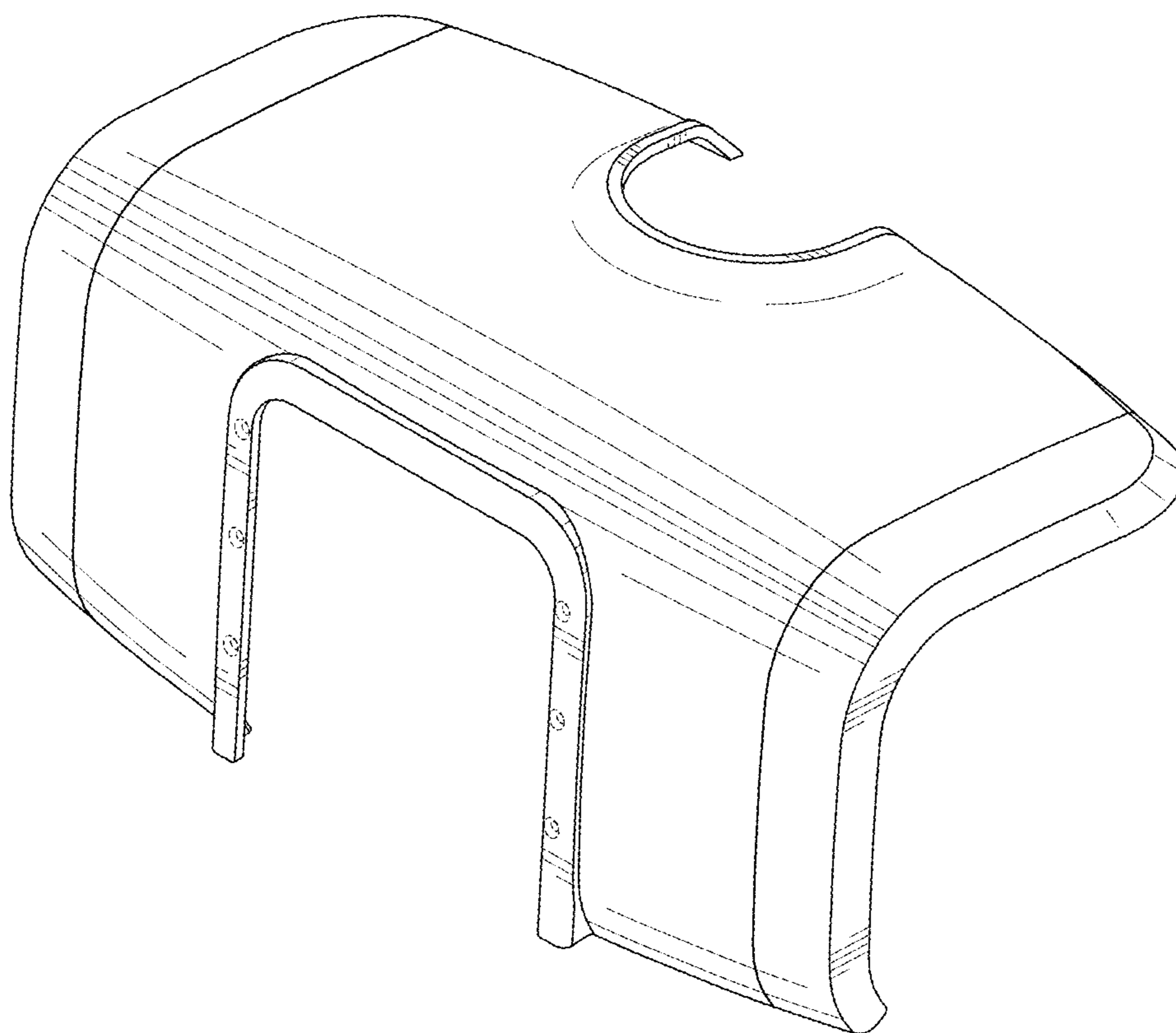


FIG.8