



US00D725769S

(12) **United States Design Patent**  
**Djupesland et al.**

(10) **Patent No.:** **US D725,769 S**  
(45) **Date of Patent:** **\*\* Mar. 31, 2015**

(54) **NASAL DELIVERY DEVICE**  
(71) Applicant: **OptiNose AS**, Oslo (NO)  
(72) Inventors: **Per Gisle Djupesland**, Oslo (NO); **Kate Dudgeon**, Providence, RI (US); **Justin Fisk**, Providence, RI (US); **Joseph Gordon**, Mansfield, MA (US); **Mark Guarraia**, Cranston, RI (US); **Michael Leclerc**, Cranston, RI (US); **Ramy A Mahmoud**, Skillman, NJ (US); **Shane Siwinski**, Providence, RI (US)

7,854,227 B2 12/2010 Djupesland  
7,934,503 B2 5/2011 Djupesland  
7,975,690 B2 7/2011 Djupesland  
8,047,202 B2 11/2011 Djupesland  
8,146,589 B2 4/2012 Djupesland  
8,171,929 B2 5/2012 Djupesland  
8,327,844 B2 12/2012 Djupesland  
8,511,303 B2 8/2013 Djupesland  
8,522,778 B2 9/2013 Djupesland

(Continued)

**OTHER PUBLICATIONS**

U.S. Appl. No. 13/603,108, Djupesland.  
(Continued)

(73) Assignee: **OptiNose AS**, Oslo (NO)

(\*\*) Term: **14 Years**

*Primary Examiner* — Ian Simmons  
*Assistant Examiner* — Richelle G Shelton

(21) Appl. No.: **29/455,723**

(74) *Attorney, Agent, or Firm* — Lihua Zheng; Proskauer Rose LLP

(22) Filed: **May 23, 2013**

(51) **LOC (10) Cl.** ..... **24-02**

(52) **U.S. Cl.**  
USPC ..... **D24/110**

(57) **CLAIM**

We claim the ornamental design for a nasal delivery device, as shown and described.

(58) **Field of Classification Search**  
CPC ..... A61M 31/00; A61M 15/08; A61M 11/00  
USPC ..... D24/108, 110; 128/203.15, 203.18,  
128/206.11, 207.18

**DESCRIPTION**

See application file for complete search history.

FIG. 1 illustrates a perspective view of the nasal delivery device;  
FIG. 2 illustrates one side view of the nasal delivery device;  
FIG. 3 illustrates the other side view of the nasal delivery device;  
FIG. 4 illustrates a front view of the nasal delivery device;  
FIG. 5 illustrates a rear view of the nasal delivery device;  
FIG. 6 illustrates a plan view of the nasal delivery device; and,  
FIG. 7 illustrates an underneath plan view of the nasal delivery device.

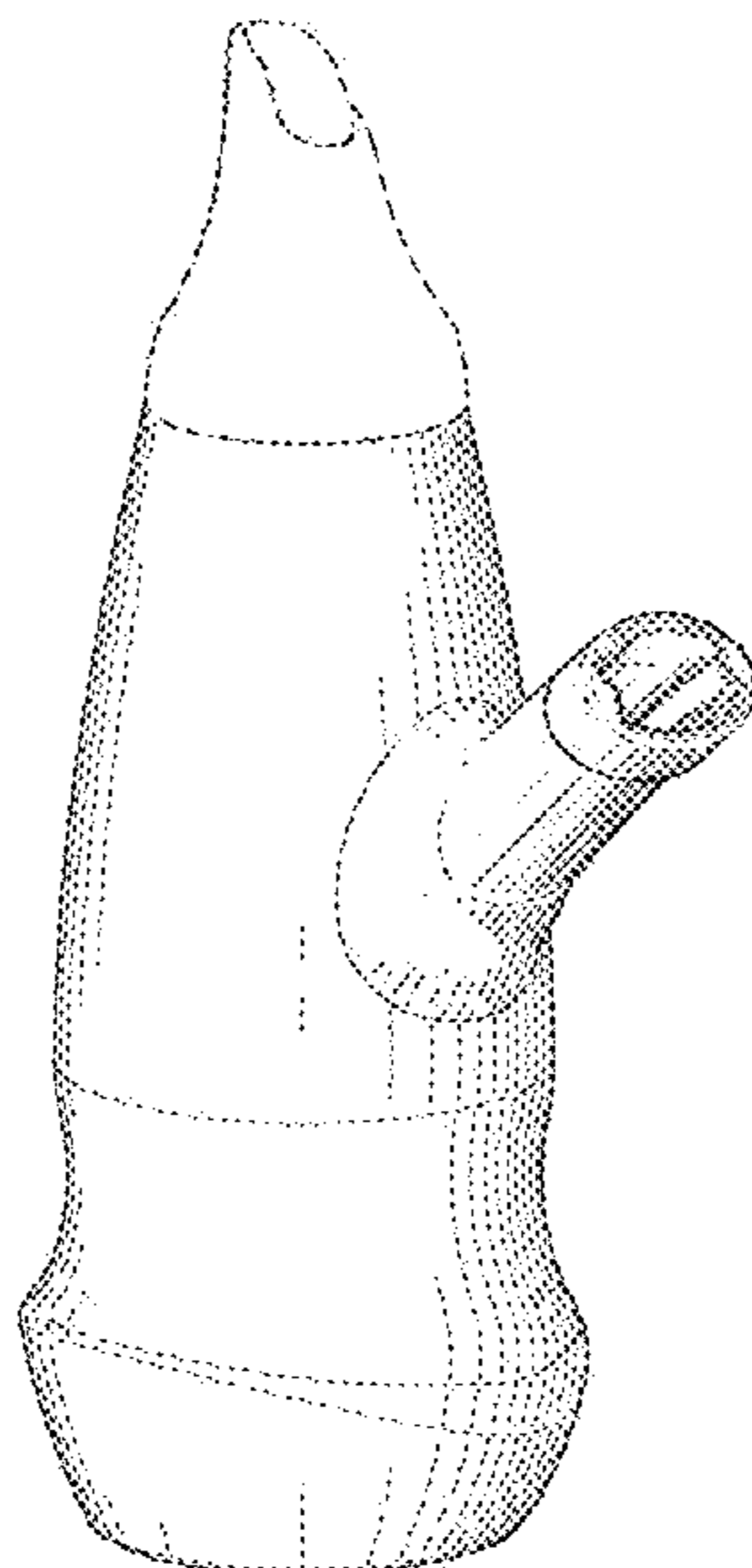
The broken line showing is included for the purpose of illustrating environmental structure with the line itself and all within forming no part of the claimed design.

(56) **References Cited**

**U.S. PATENT DOCUMENTS**

6,715,485 B1 4/2004 Djupesland  
D530,815 S \* 10/2006 Murphy et al. .... D24/110  
7,347,201 B2 3/2008 Djupesland  
7,377,901 B2 5/2008 Djupesland et al.  
7,481,218 B2 1/2009 Djupesland  
7,543,581 B2 6/2009 Djupesland  
7,740,014 B2 6/2010 Djupesland  
7,784,460 B2 8/2010 Djupesland et al.  
7,841,337 B2 11/2010 Djupesland

**1 Claim, 6 Drawing Sheets**



(56)

**References Cited**

U.S. PATENT DOCUMENTS

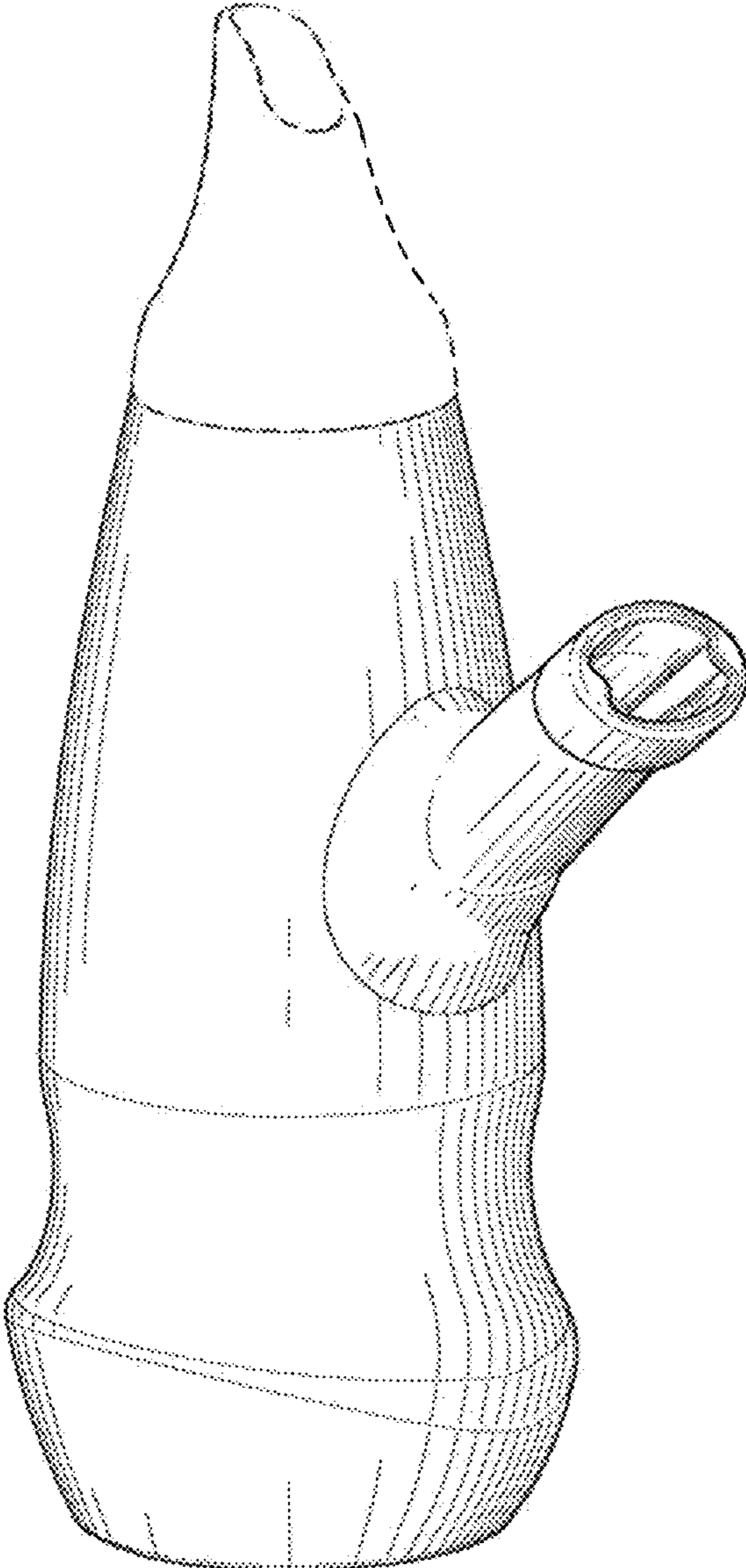
8,550,073	B2	10/2013	Djupesland	
8,555,877	B2	10/2013	Djupesland	
8,555,878	B2	10/2013	Djupesland	
2004/0112379	A1	6/2004	Djupesland	
2006/0219240	A1	10/2006	Djupesland	
2006/0219241	A1	10/2006	Djupesland	
2006/0225732	A1	10/2006	Djupesland	
2006/0231094	A1	10/2006	Djupesland	
2007/0039614	A1	2/2007	Djupesland	
2007/0125371	A1	6/2007	Djupesland	
2008/0163874	A1	7/2008	Djupesland	
2008/0221471	A1	9/2008	Djupesland	
2008/0223363	A1	9/2008	Djupesland	
2008/0289629	A1	11/2008	Djupesland	
2009/0293873	A1	12/2009	Djupesland	
2009/0304802	A1	12/2009	Djupesland	
2009/0320832	A1	12/2009	Djupesland	
2010/0035805	A1	2/2010	Hafner	
2010/0057047	A1	3/2010	Djupesland	
2010/0199984	A1*	8/2010	Williams et al. ....	128/200.23
2010/0242959	A1	9/2010	Djupesland	
2010/0282246	A1	11/2010	Djupesland	
2010/0288275	A1	11/2010	Djupesland	
2010/0300439	A1	12/2010	Djupesland	
2011/0023869	A1	2/2011	Djupesland	

2011/0053827	A1	3/2011	Hafner	
2011/0088690	A1	4/2011	Djupesland	
2011/0114087	A1	5/2011	Djupesland	
2011/0126830	A1	6/2011	Djupesland	
2011/0259329	A1	10/2011	Djupesland	
2011/0318345	A1	12/2011	Djupesland	
2012/0000459	A1	1/2012	Djupesland	
2012/0006323	A1	1/2012	Djupesland	
2012/0073571	A1	3/2012	Djupesland	
2012/0090608	A1	4/2012	Djupesland	
2012/0260915	A1	10/2012	Djupesland	
2013/0098362	A1	4/2013	Djupesland	
2013/0125889	A1	5/2013	Djupesland	

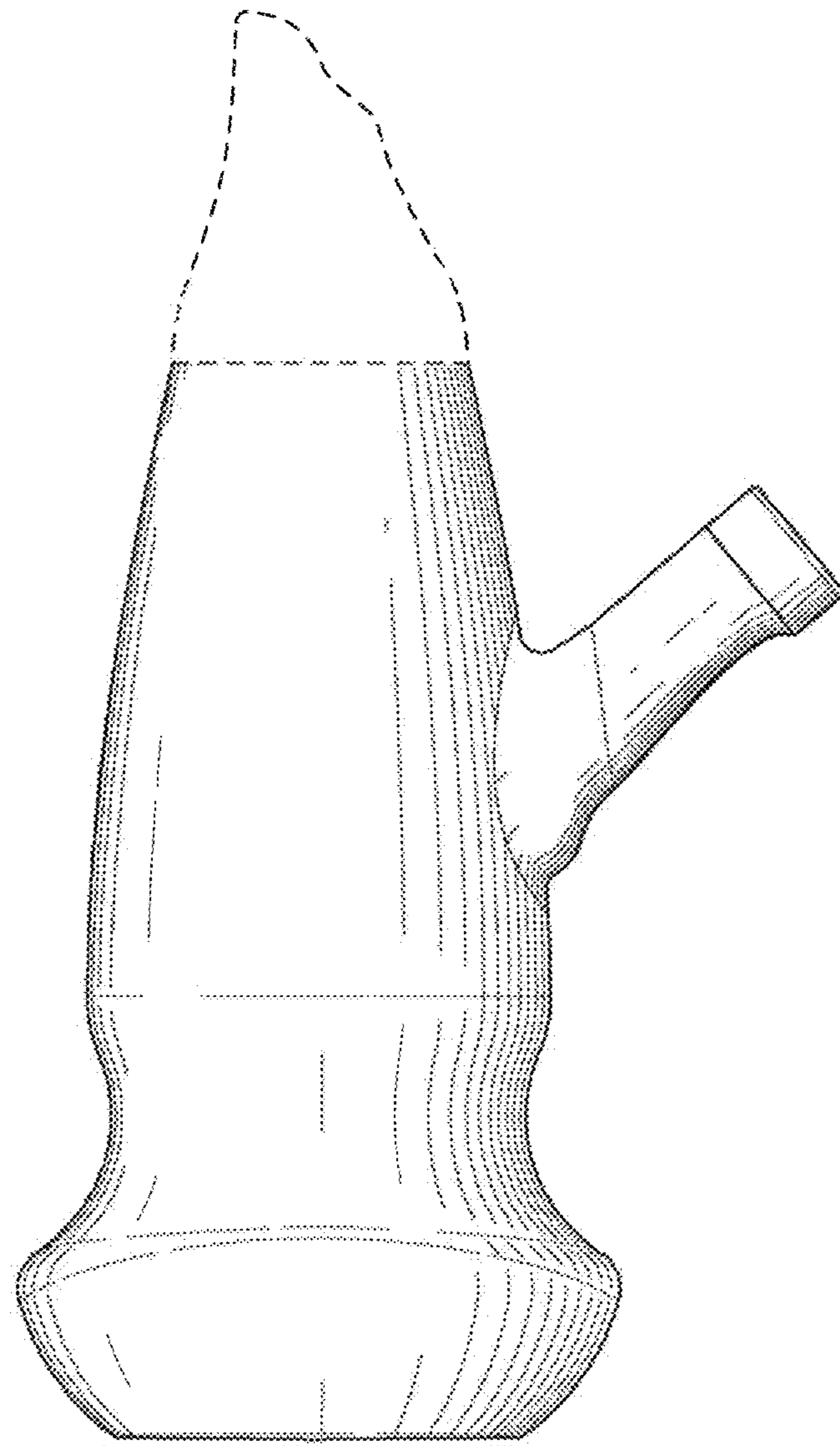
OTHER PUBLICATIONS

U.S. Appl. No. 13/665,330, Djupesland.  
 U.S. Appl. No. 13/724,560, Djupesland.  
 U.S. Appl. No. 13/724,636, Djupesland.  
 U.S. Appl. No. 13/785,694, Djupesland.  
 U.S. Appl. No. 13/823,071, Djupesland.  
 U.S. Appl. No. 14/005,363, Djupesland.  
 U.S. Appl. No. 14/047,390, Djupesland.  
 U.S. Appl. No. 14/058,647, Djupesland.  
 U.S. Appl. No. 29/455,727, Djupesland.  
 U.S. Appl. No. 29/455,733, Djupesland.

\* cited by examiner

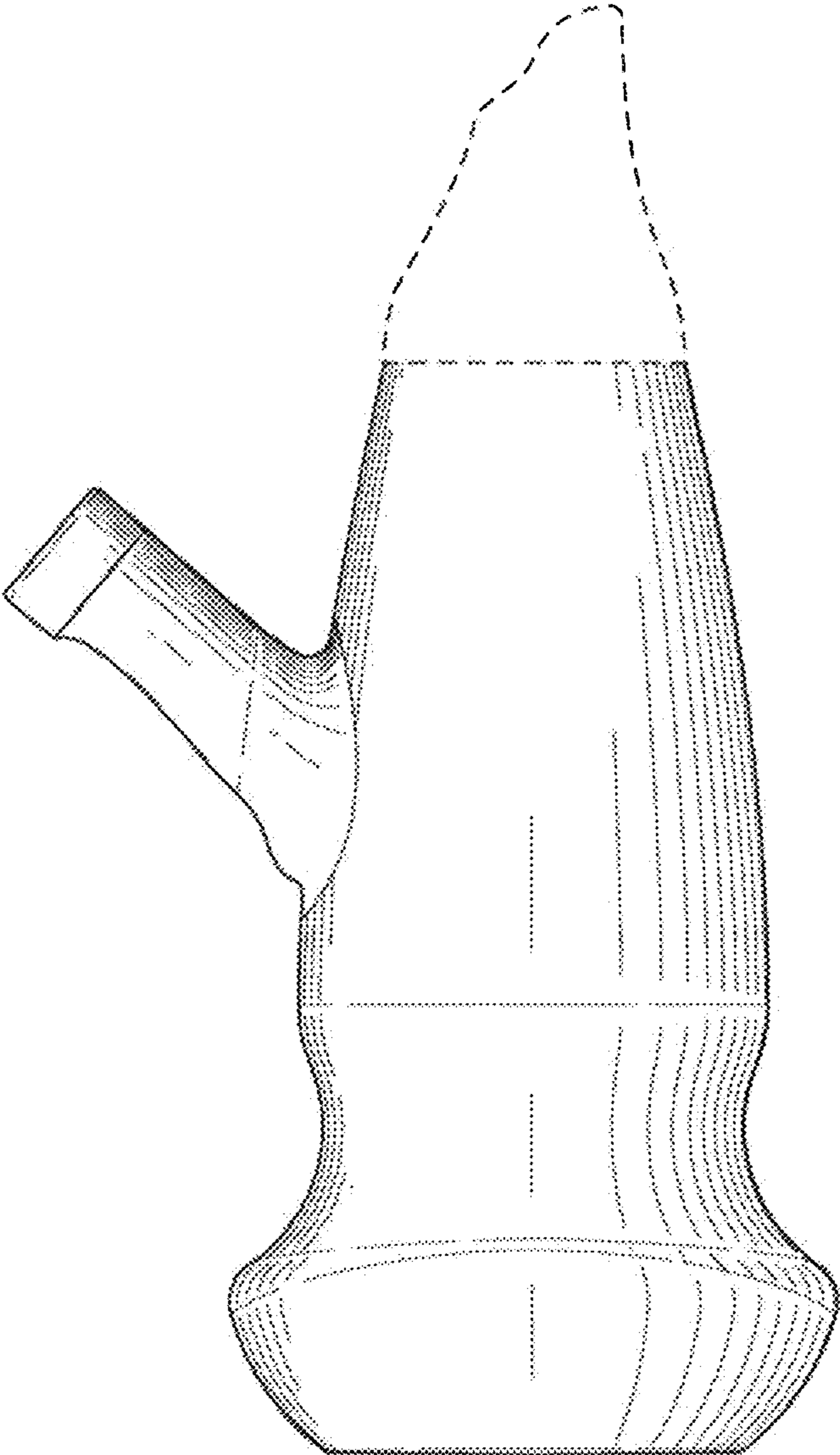


**FIG. 1**

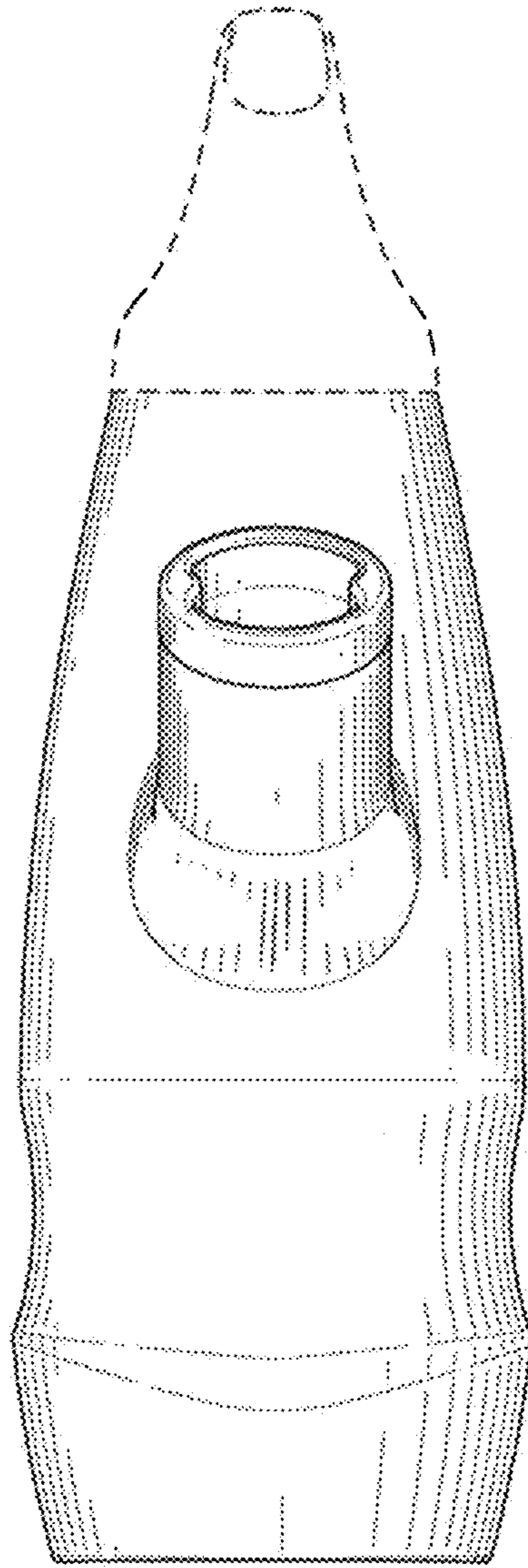


**FIG. 2**

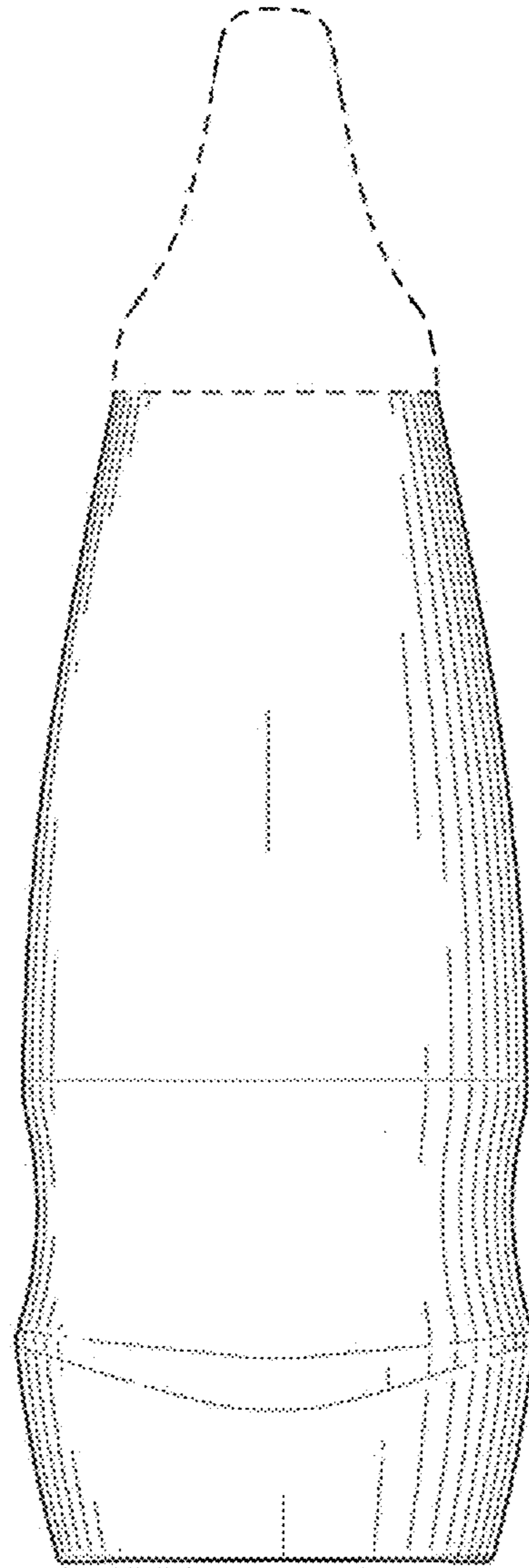




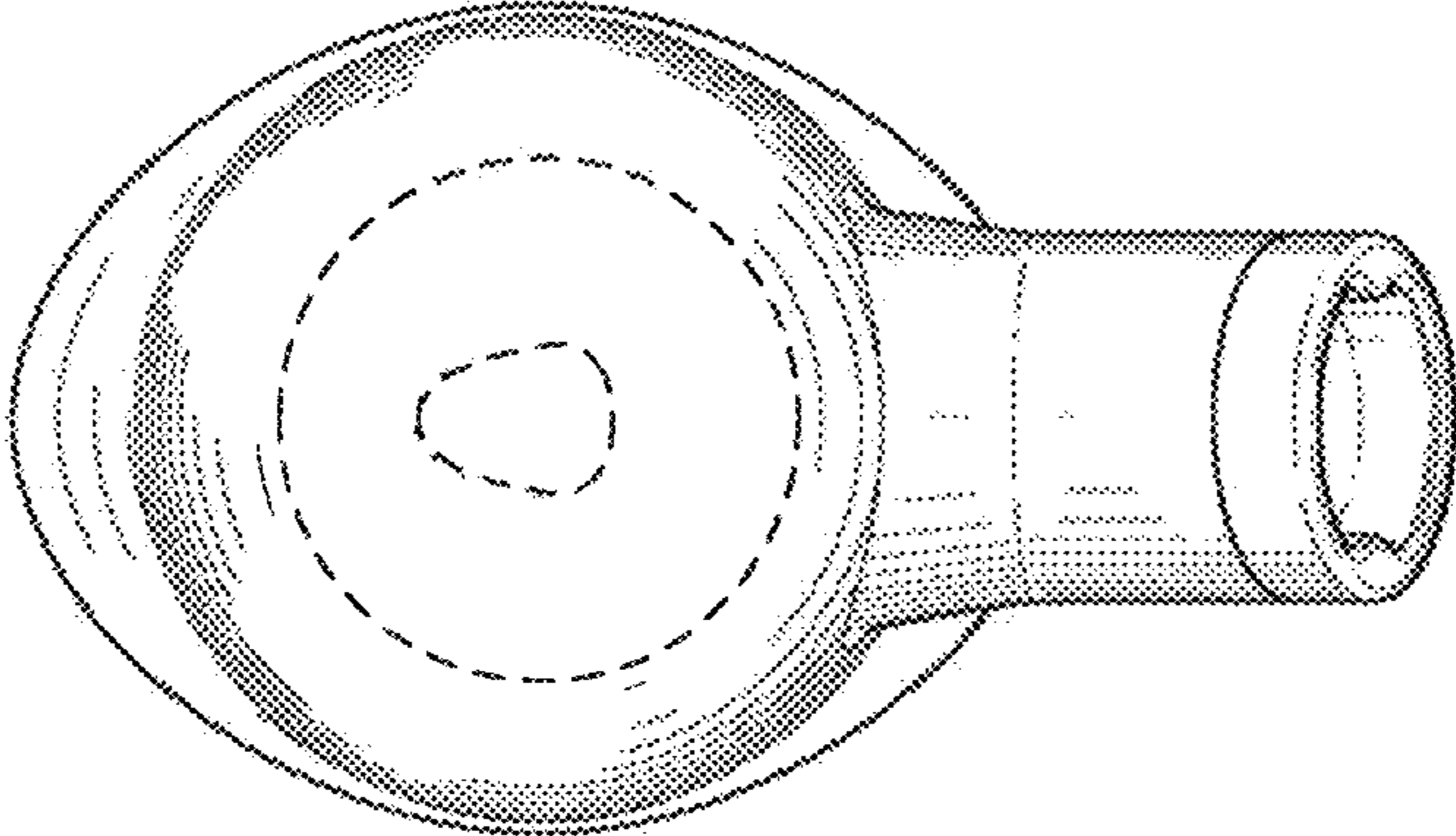
**FIG. 3**



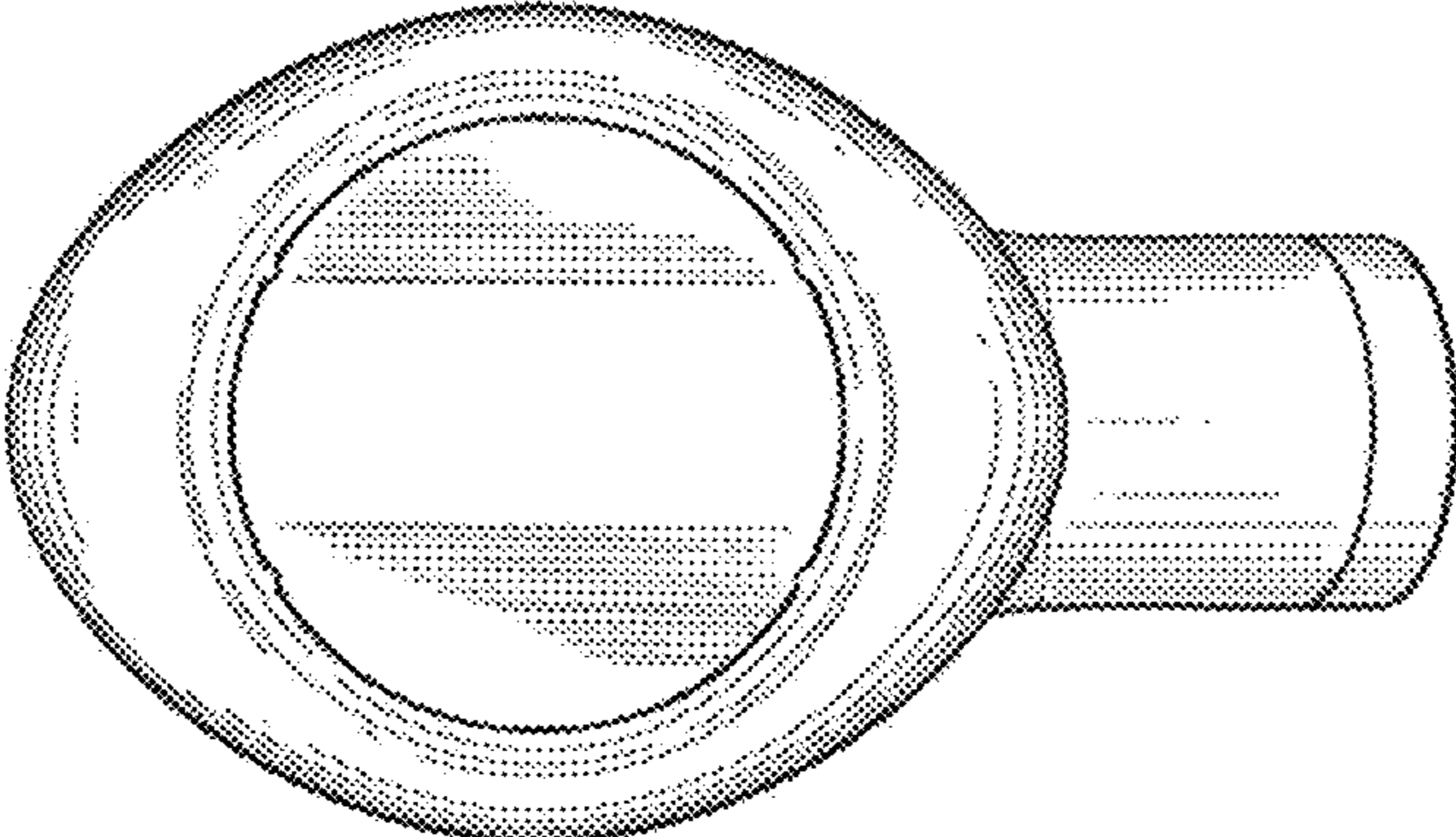
**FIG. 4**



**FIG. 5**



*FIG. 6*



*FIG. 7*